



US00D398332S

# United States Patent [19] Coveley

[11] **Patent Number: Des. 398,332**

[45] **Date of Patent: \*\*Sep. 15, 1998**

[54] **HAND-HELD TERMINAL**

[75] Inventor: **Michael Coveley**, Thornhill, Canada

[73] Assignee: **Omega Digital Data, Inc.**, Concord, Canada

[\*\*] Term: **14 Years**

[21] Appl. No.: **55,403**

[22] Filed: **Jun. 5, 1996**

D. 348,896 7/1994 Kumar et al. .... D18/4  
D. 350,119 8/1994 Kumar et al. .... D14/116 X  
5,123,064 6/1992 Hacker et al. .... D14/100 X

*Primary Examiner*—Caron D. Veynar  
*Attorney, Agent, or Firm*—Law Office of Victor E. Libert;  
Victor E. Libert

### Related U.S. Application Data

[62] Division of Ser. No. 45,291, Oct. 16, 1995.

### [30] Foreign Application Priority Data

May 4, 1995 [CA] Canada ..... 1995-0959

[51] **LOC (6) Cl.** ..... **18-01**

[52] **U.S. Cl.** ..... **D18/4; D14/105**

[58] **Field of Search** ..... D18/4, 7, 14, 19;  
D14/100, 105, 116; 235/379-383, 454,  
462, 472; 341/22, 23; 345/87, 156, 168,  
169, 172, 173

### [56] References Cited

#### U.S. PATENT DOCUMENTS

D. 292,709 11/1987 Kosako ..... D18/2 X

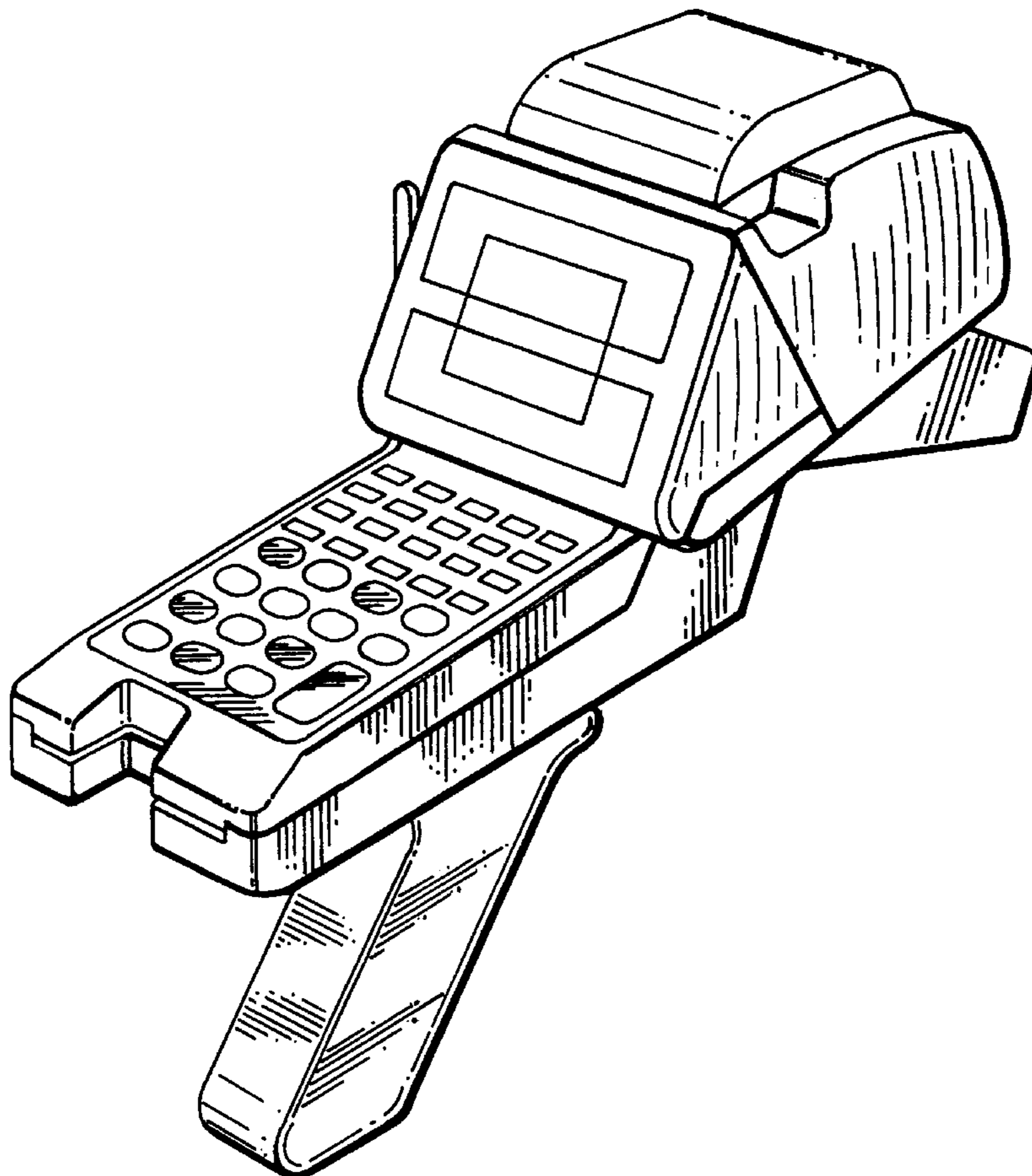
### [57] CLAIM

The ornamental design for a hand-held terminal, as shown and described.

### DESCRIPTION

FIG. 1 is a right side elevational view of a hand-held terminal showing my new design; FIG. 2 is a top plan view thereof; FIG. 3 is a left side elevational view thereof; FIG. 4 is a bottom plan view thereof; FIG. 5 is a rear elevational view thereof; FIG. 6 is a front elevational view thereof; FIG. 7 is a right side elevational view of a second embodiment of a hand-held terminal showing my new design, the second embodiment being identical to the first embodiment except that the handle of the first embodiment which extends downwardly and to the left as viewed in FIG. 1 is omitted, leaving a plain surface where the "footprint", view of the handle appears in FIG. 4; and, FIG. 8 is a front perspective view thereof.

**1 Claim, 5 Drawing Sheets**



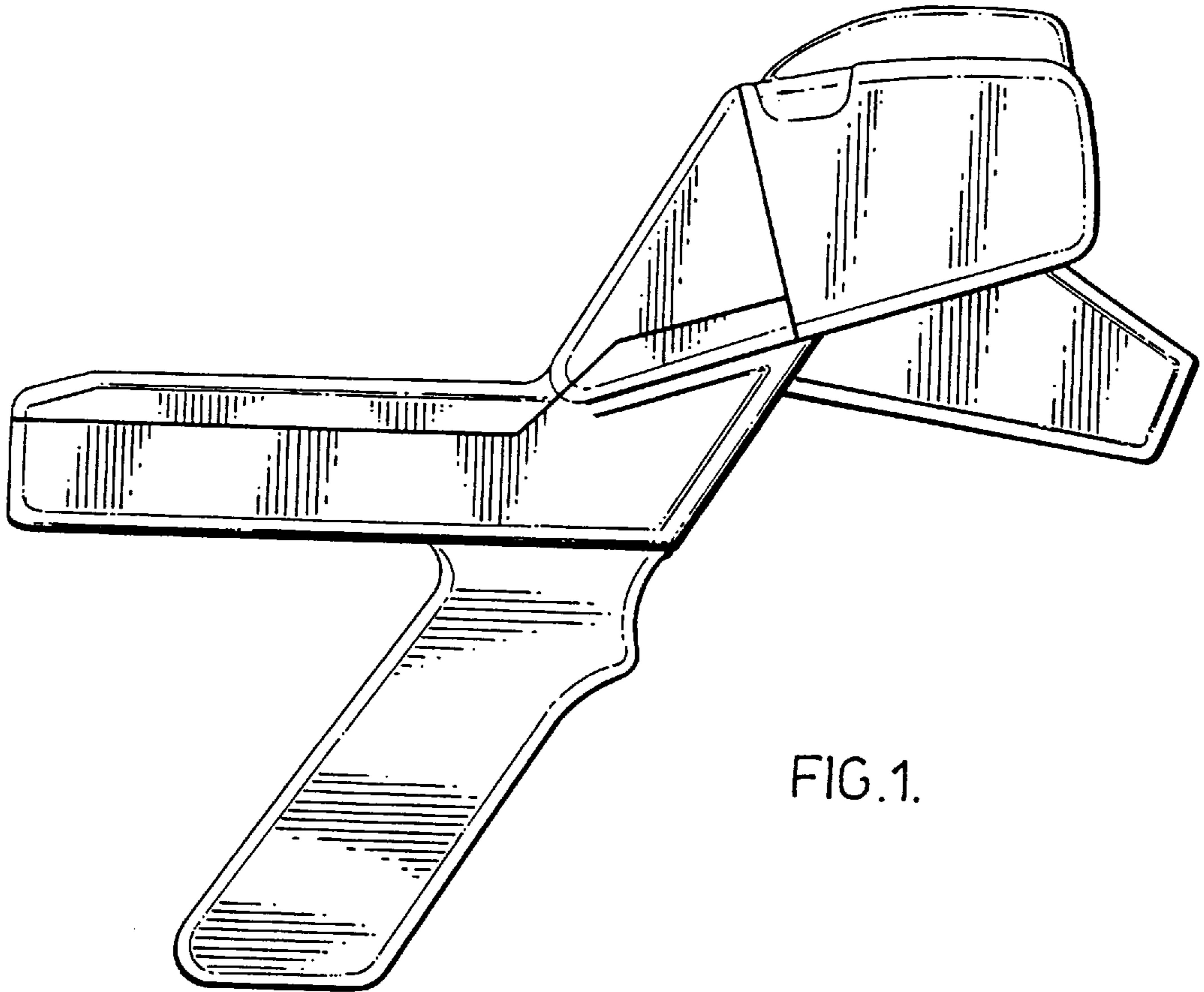
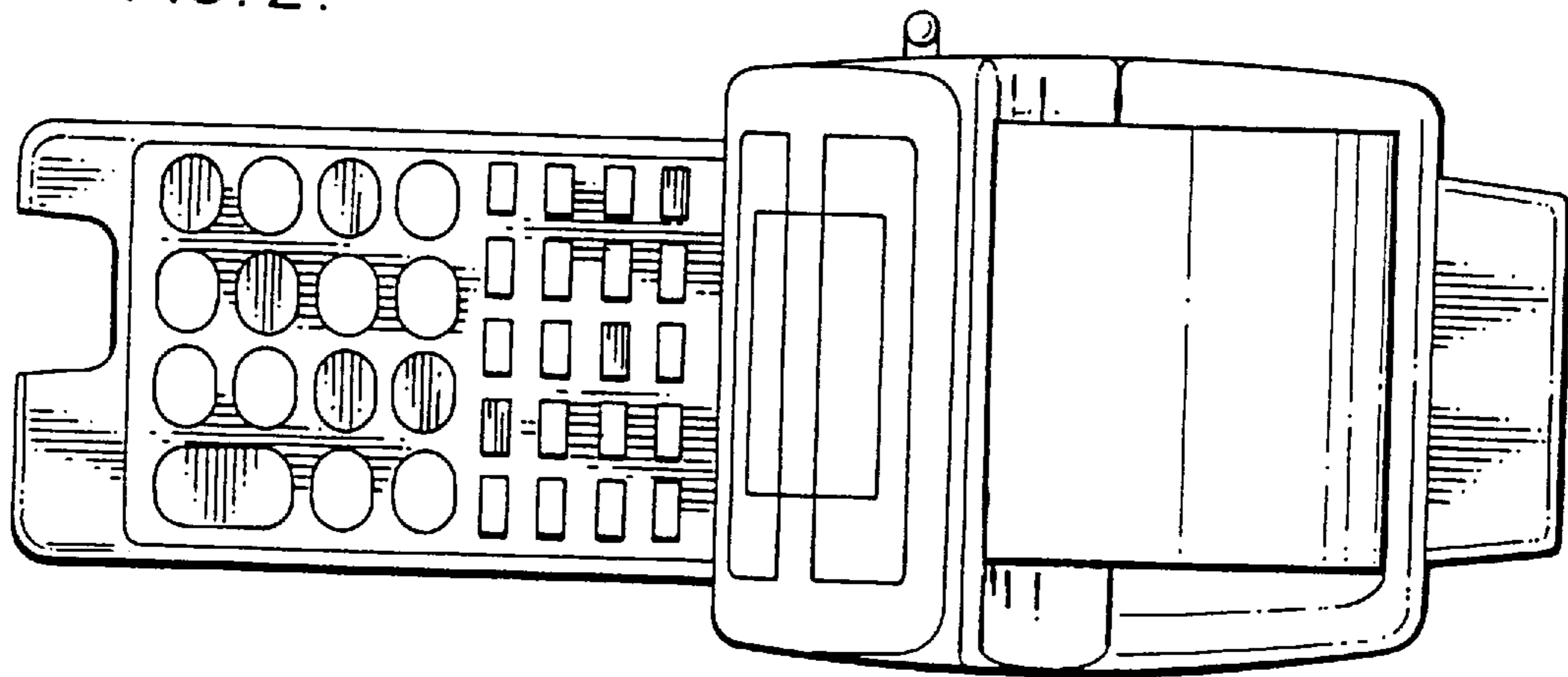


FIG. 1.

FIG. 2.



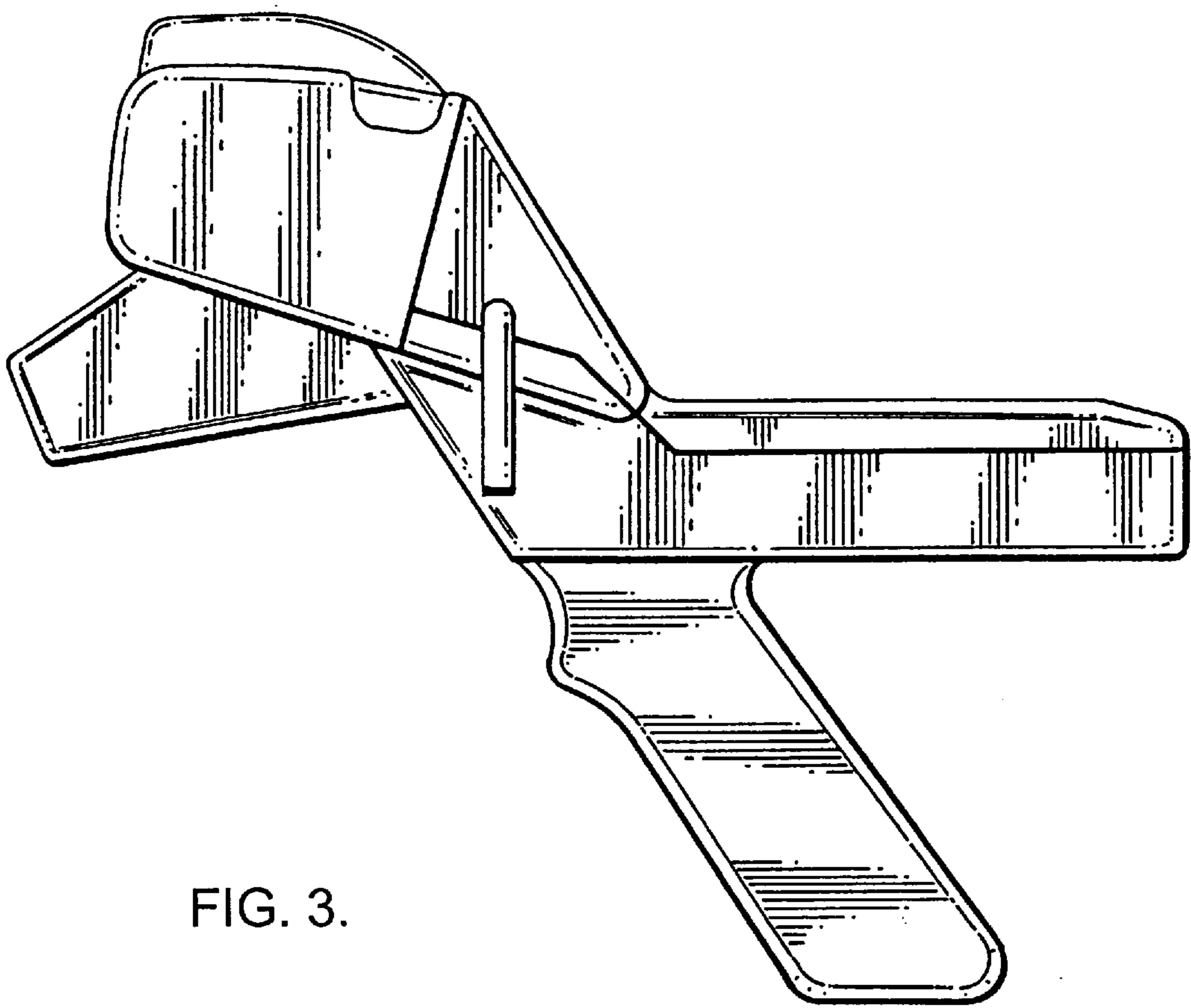


FIG. 3.

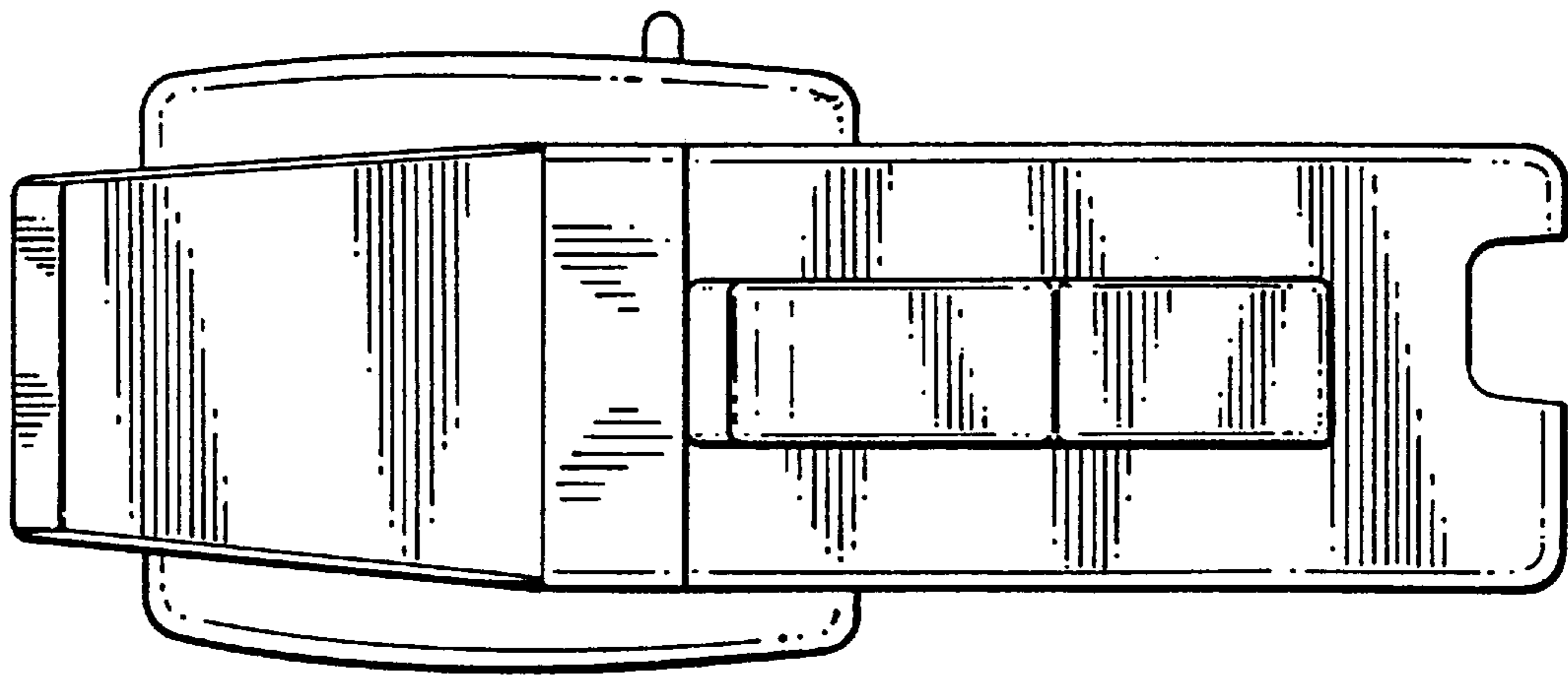


FIG. 4.

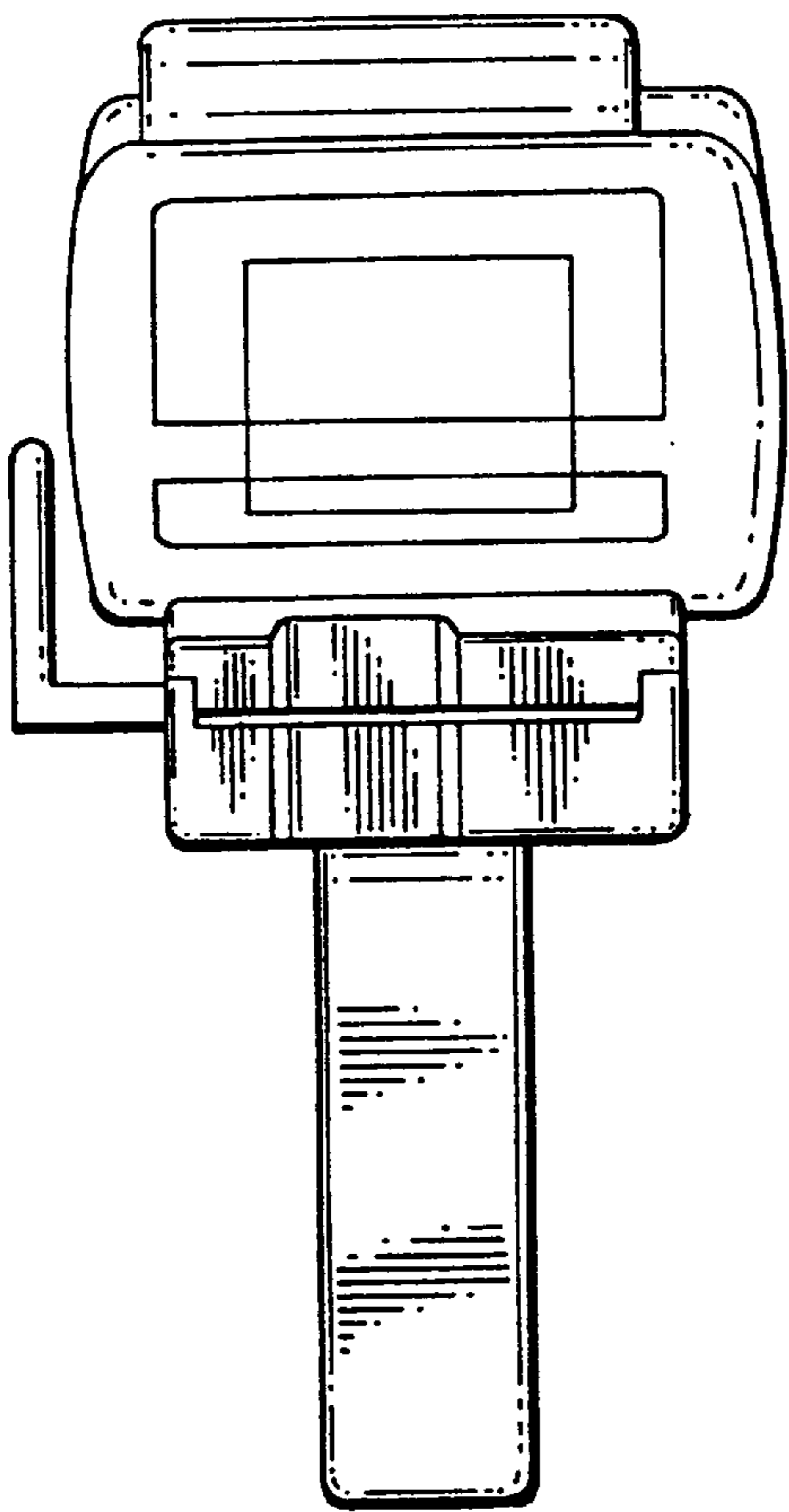


FIG. 5.

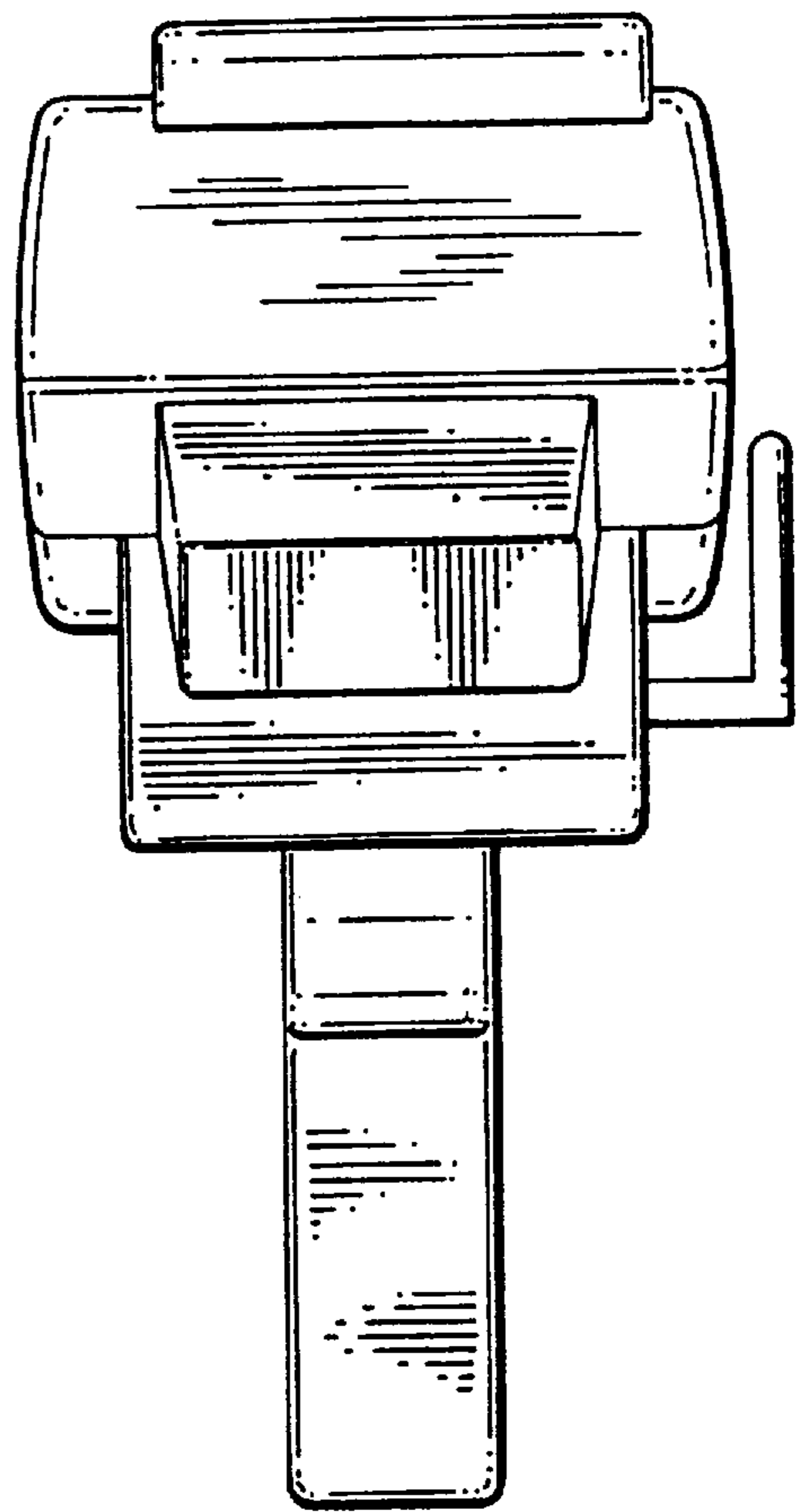


FIG. 6.

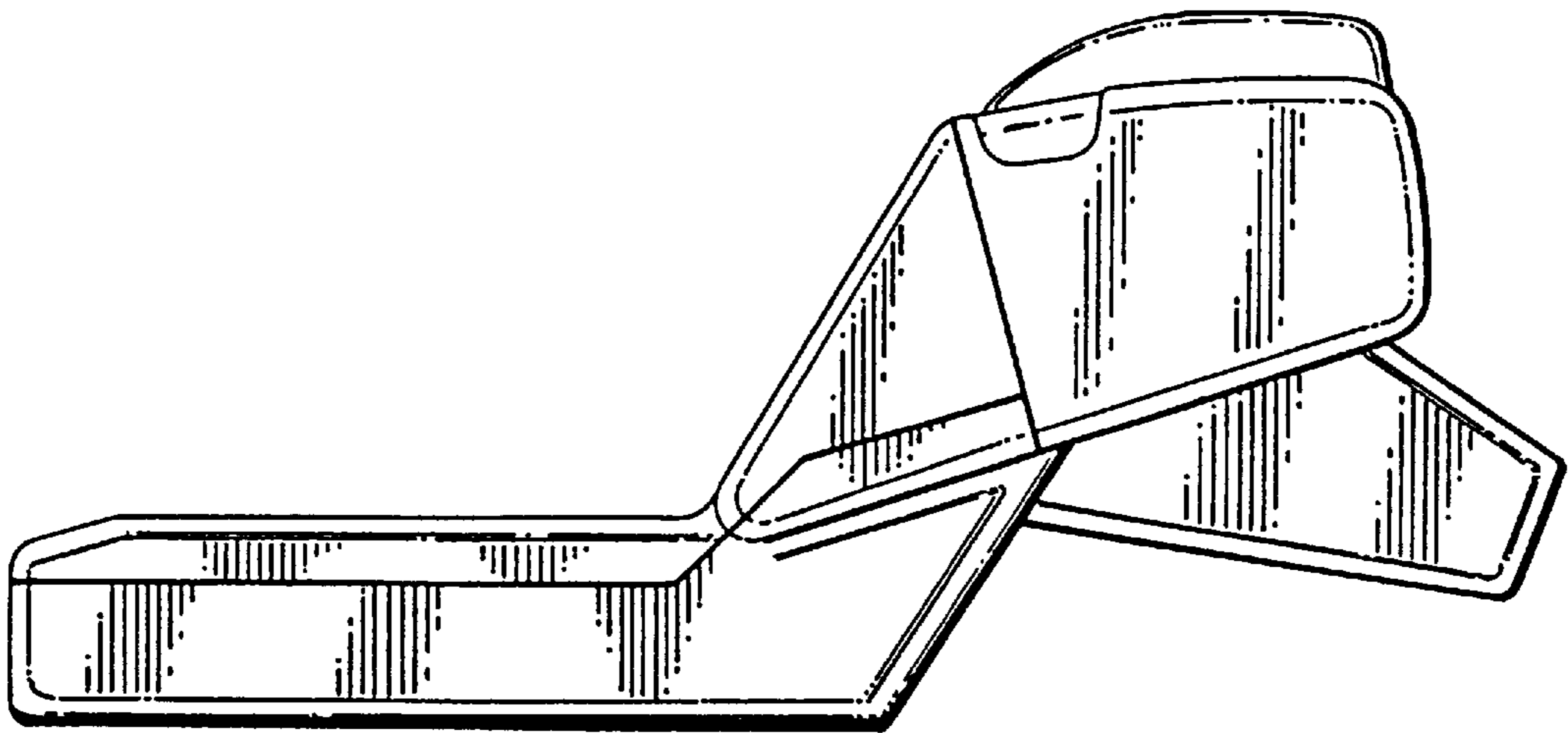


FIG. 7.

FIG. 8.

