



US00D398321S

# United States Patent [19]

Iida

[11] **Patent Number: Des. 398,321**

[45] **Date of Patent: \*\*Sep. 15, 1998**

[54] **VIDEO PROJECTOR**

[75] Inventor: **Koichi Iida**, Tochigi-ken, Japan

[73] Assignee: **Sharp Kabushiki Kaisha**, Osaka, Japan

[\*\*] Term: **14 Years**

[21] Appl. No.: **72,976**

[22] Filed: **Jun. 26, 1997**

### [30] Foreign Application Priority Data

Dec. 26, 1996 [JP] Japan ..... 8-39466

[51] **LOC (6) Cl.** ..... **16-02**

[52] **U.S. Cl.** ..... **D16/230; D16/221**

[58] **Field of Search** ..... D16/200-205,  
D16/208, 213, 221, 225, 230, 231, 234;  
D21/110; 352/34, 242, 243; 353/115, 119,  
122

### [56] References Cited

#### U.S. PATENT DOCUMENTS

- D. 343,850 2/1994 Saeki et al. .... D16/234
- D. 356,103 3/1995 Saeki et al. .... D16/221
- D. 364,416 11/1995 Saeki et al. .... D16/231
- D. 365,587 12/1995 Saeki et al. .... D16/234

- D. 371,148 6/1996 Kobayashi ..... D16/230
- D. 374,024 9/1996 Onoda ..... D16/221
- D. 379,190 5/1997 Takami et al. .... D16/234
- D. 387,795 12/1997 Sakamoto ..... D16/231
- D. 388,111 12/1997 Iida ..... D16/231

### OTHER PUBLICATIONS

Sharp Catalog, p. 3, Aug. 1993.

*Primary Examiner*—Ted Shooman

*Assistant Examiner*—Adir Aronovich

*Attorney, Agent, or Firm*—Nixon & Vanderhye

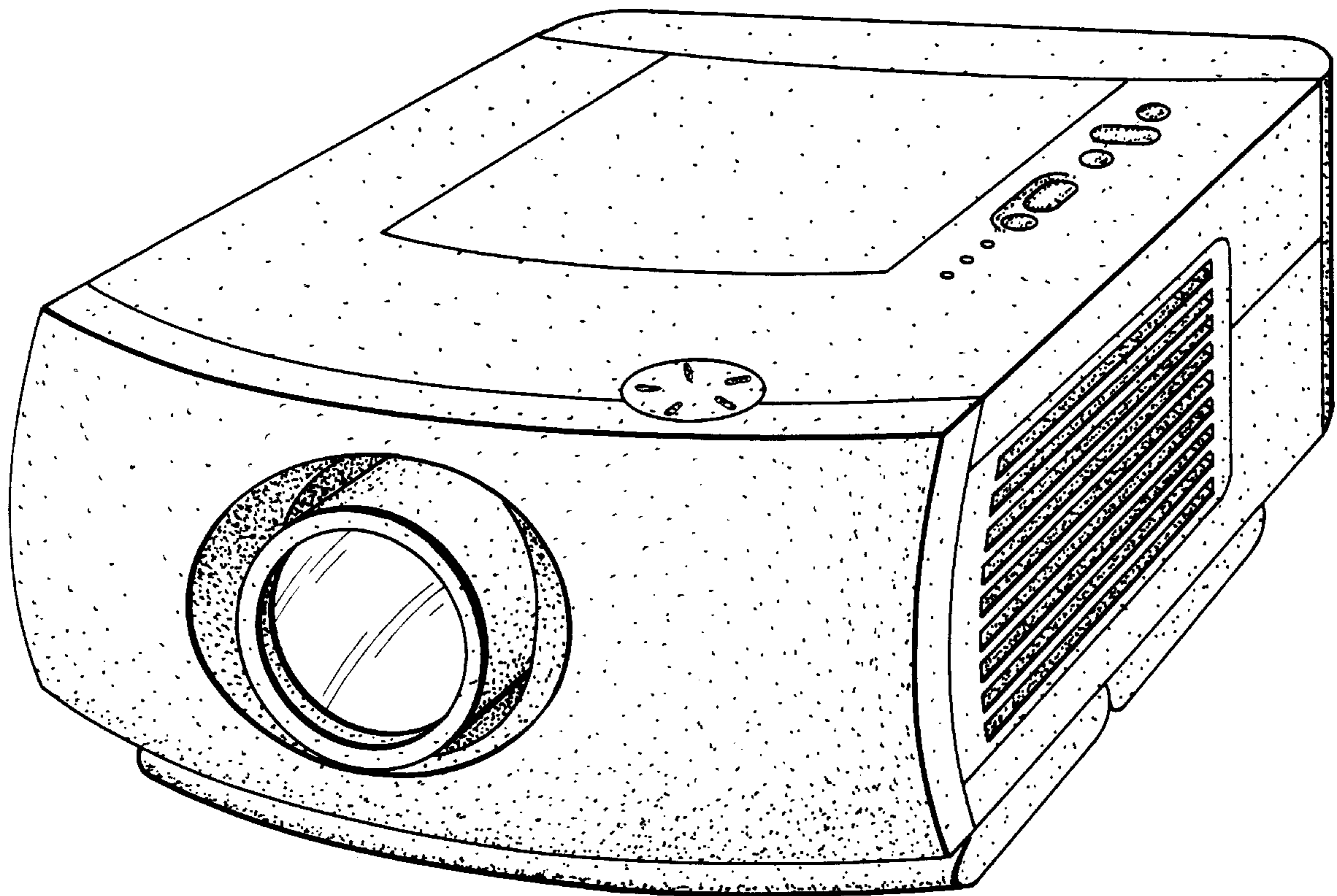
### [57] CLAIM

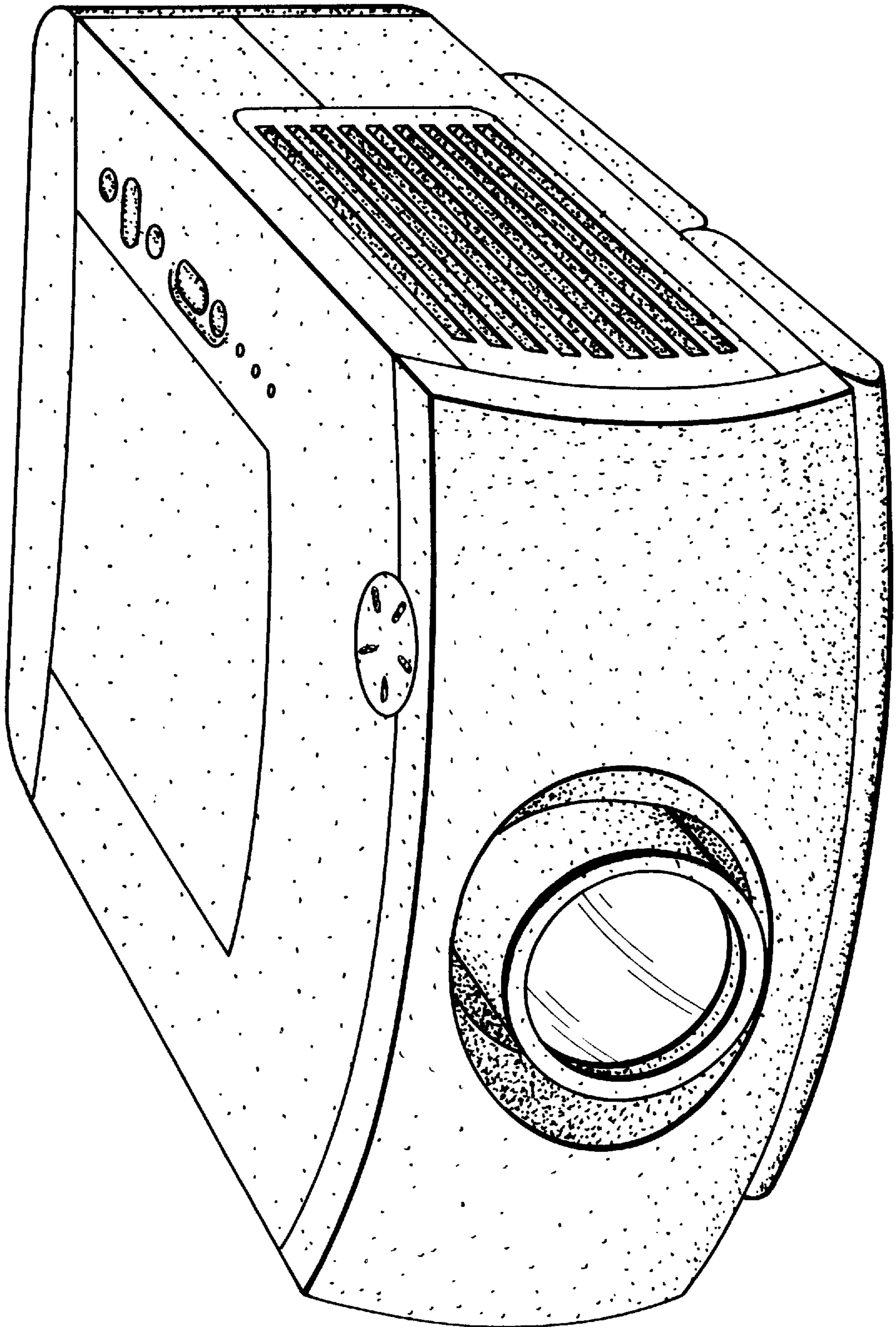
The ornamental design for a video projector, as shown and described.

### DESCRIPTION

FIG. 1 is a top, front and right side perspective view of a video projector according to my design;  
 FIG. 2 is a top plan view thereof;  
 FIG. 3 is a front elevational view thereof;  
 FIG. 4 is a right side elevational view thereof;  
 FIG. 5 is a rear elevational view thereof;  
 FIG. 6 is a left side elevational view thereof; and,  
 FIG. 7 is a bottom plan view thereof.

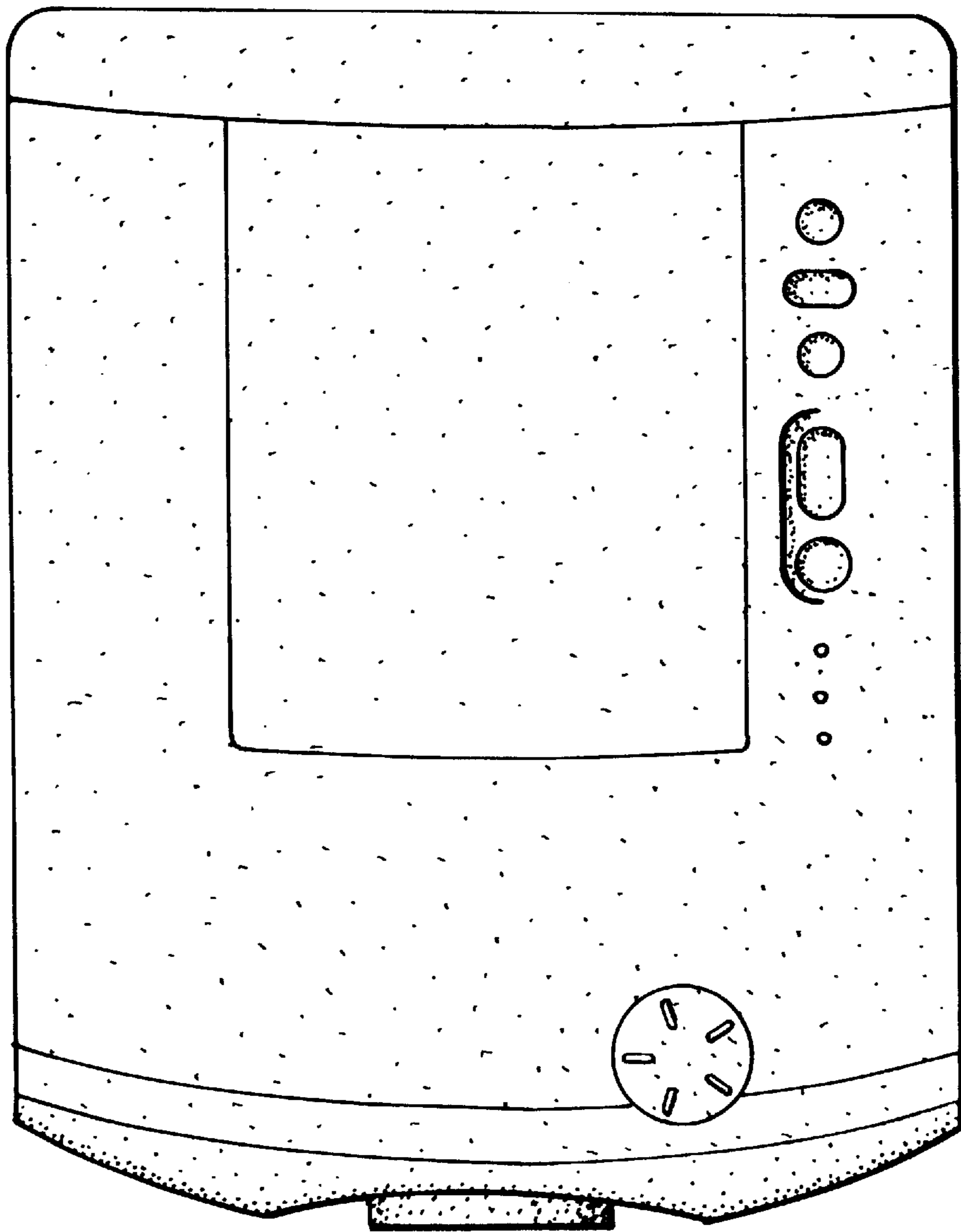
**1 Claim, 5 Drawing Sheets**

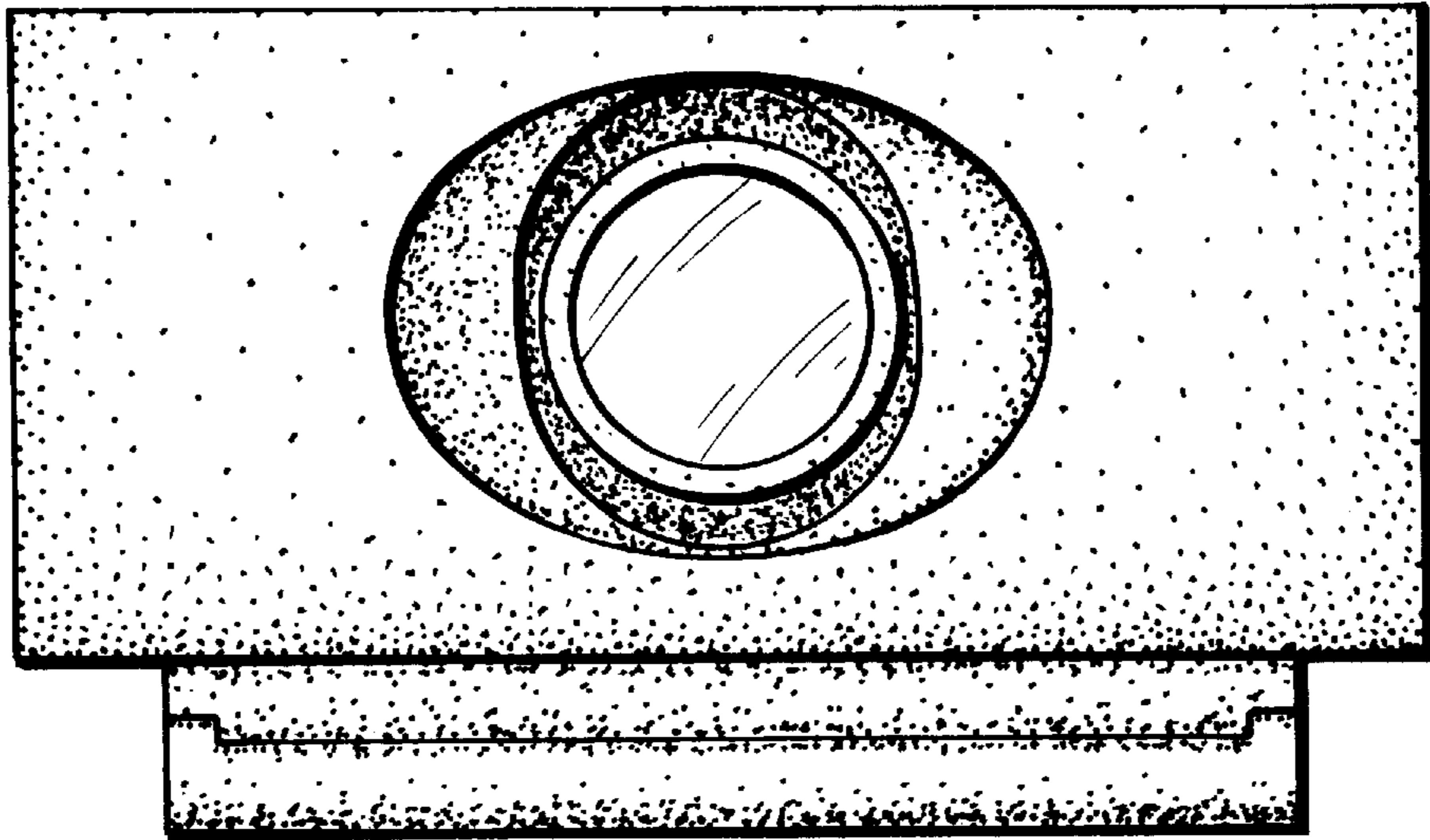




**FIG. 1**

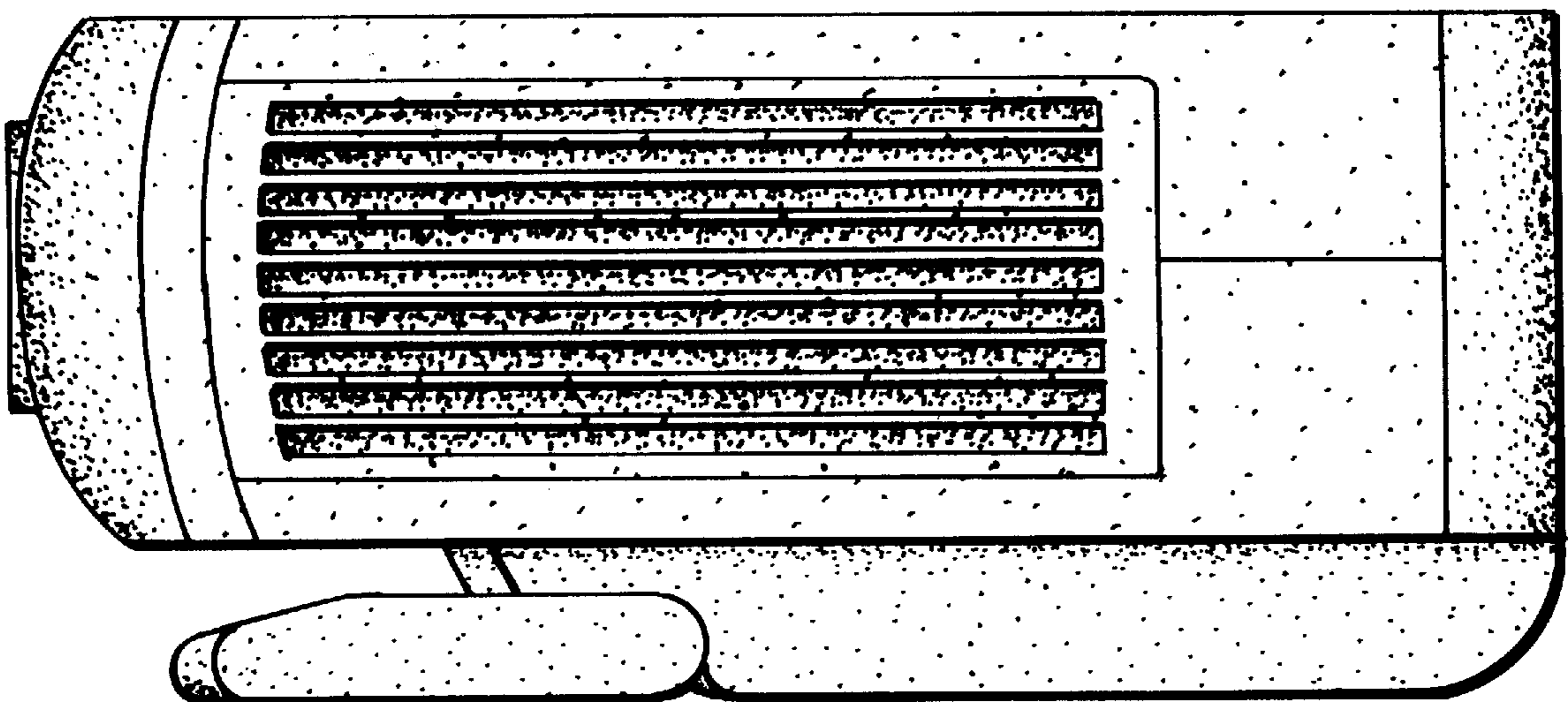
**FIG. 2**

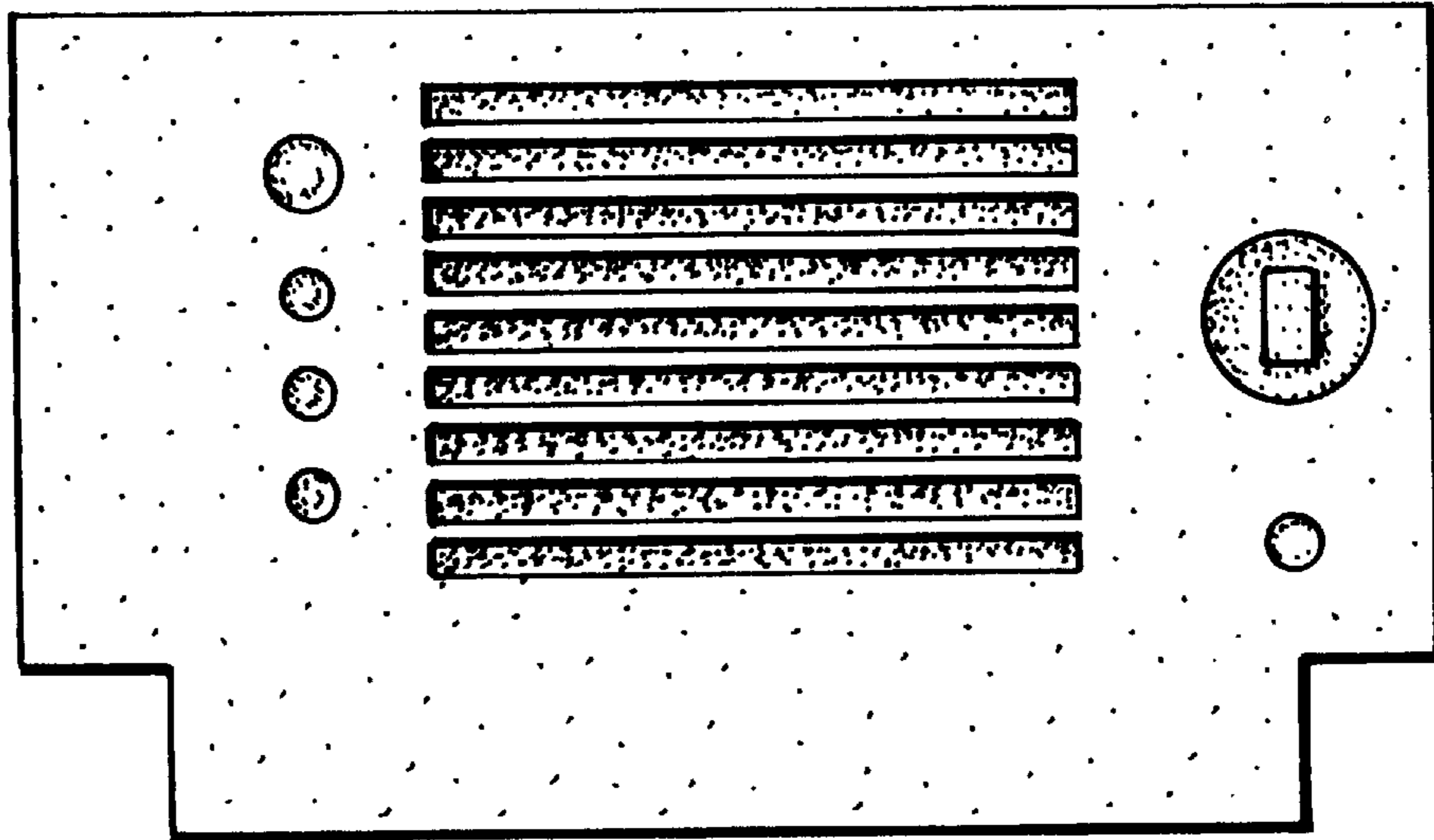




**FIG. 3**

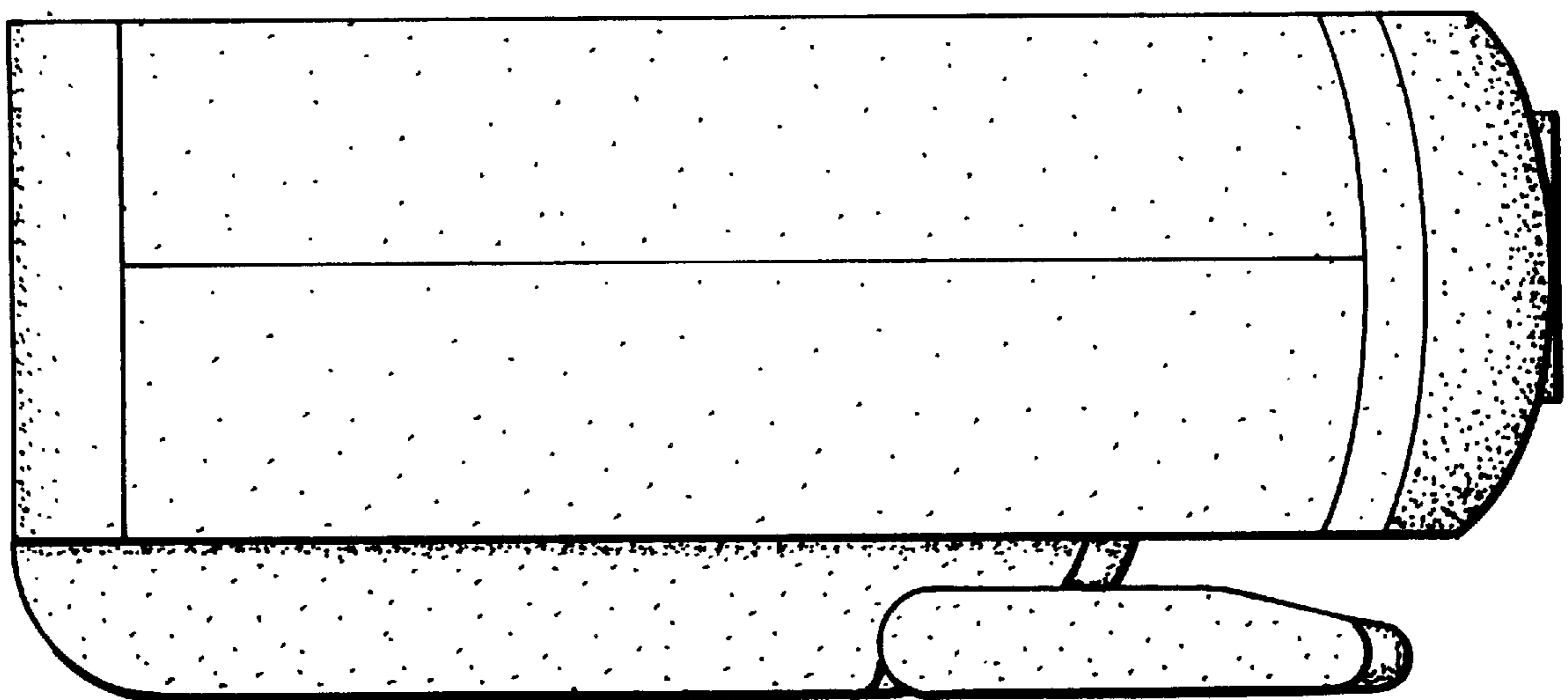
**FIG. 4**





**FIG. 5**

**FIG. 6**



**FIG. 7**

