



US00D398319S

United States Patent [19] Chen

[11] **Patent Number: Des. 398,319**

[45] **Date of Patent: **Sep. 15, 1998**

[54] **SECURITY CAMERA**

[75] Inventor: **Shen-Chang Chen**, Kaosiung, Taiwan

[73] Assignee: **Achiever Shredders and Office Products Company**, Miami, Fla.

[**] Term: **14 Years**

[21] Appl. No.: **77,591**

[22] Filed: **Oct. 6, 1997**

[51] **LOC (6) Cl.** **16-01**

[52] **U.S. Cl.** **D16/203; D16/202; 396/427**

[58] **Field of Search** **D16/200-205, D16/208; 348/143, 373-376; 352/242, 243; 396/12, 13, 427, 428**

[56] **References Cited**

U.S. PATENT DOCUMENTS

D. 255,362 6/1980 Coleman D16/203
D. 350,553 9/1994 Lo D16/203

D. 368,105 3/1996 Takahashi et al. D16/202
5,318,257 6/1994 Tani 396/428
5,568,189 10/1996 Kneller 396/12

Primary Examiner—Philip S. Hyder
Assistant Examiner—Adir Aronovich
Attorney, Agent, or Firm—Robert M. Schwartz; Loren D. Pearson

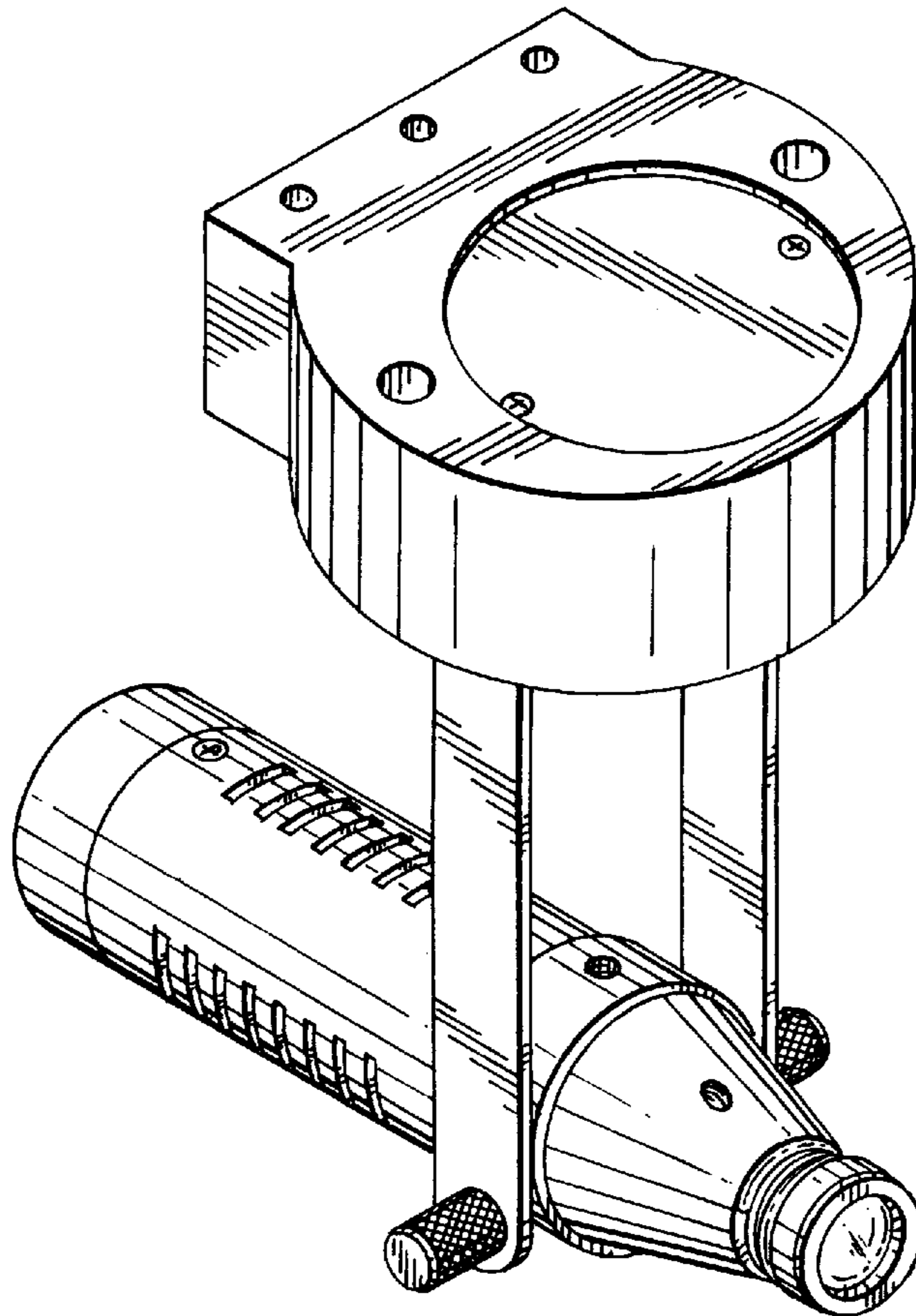
[57] **CLAIM**

The ornamental design for a security camera, as shown.

DESCRIPTION

FIG. 1 is a top view of the security camera of the present invention;
FIG. 2 is a front view of the security camera;
FIG. 3 is a bottom view of the security camera;
FIG. 4 is a left side view of the security camera;
FIG. 5 is a rear view of the security camera;
FIG. 6 is a right side view of the security camera; and,
FIG. 7 is a perspective view of the security camera.

1 Claim, 3 Drawing Sheets



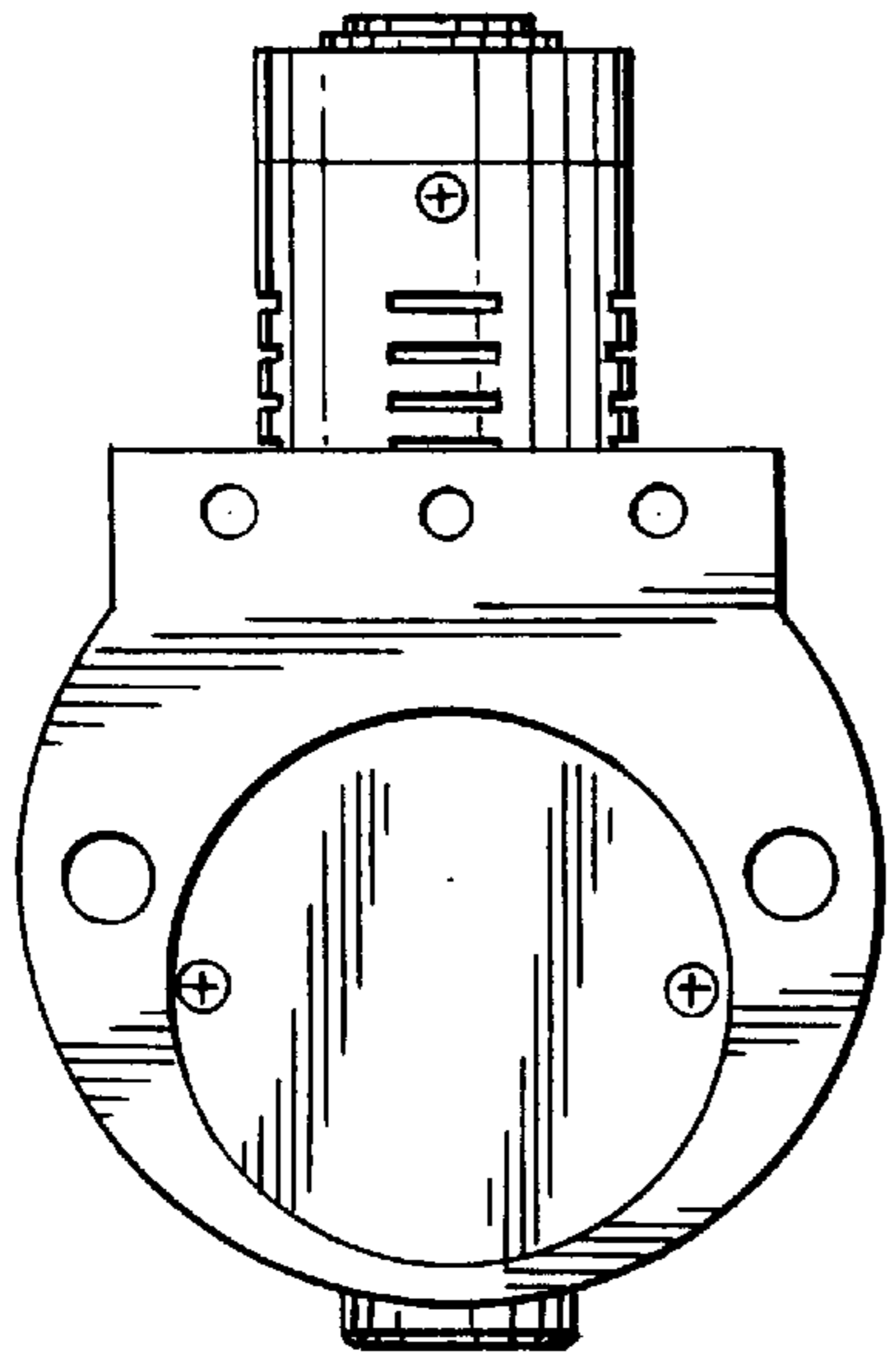


FIG. 1.

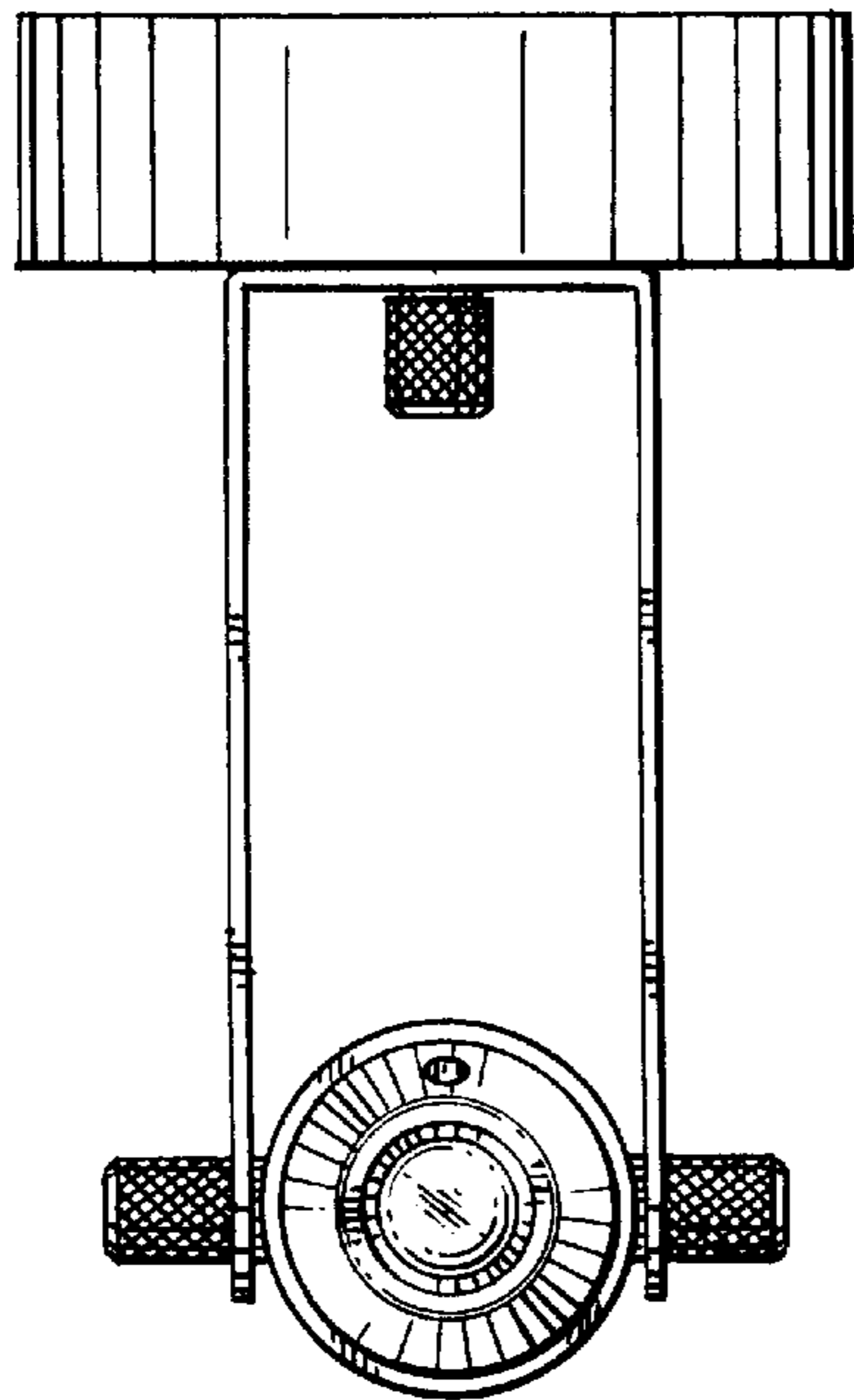


FIG. 2.

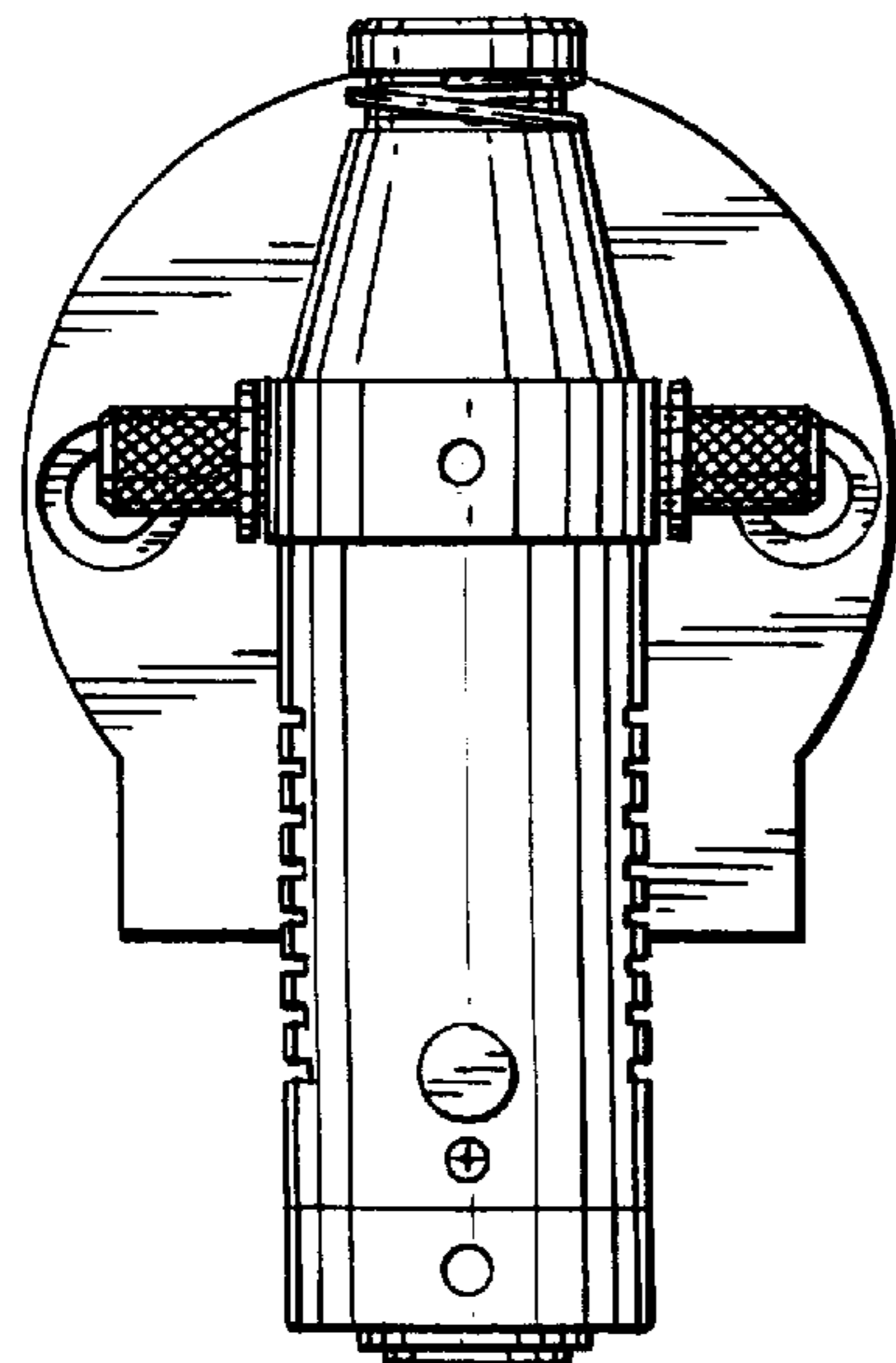


FIG. 3.

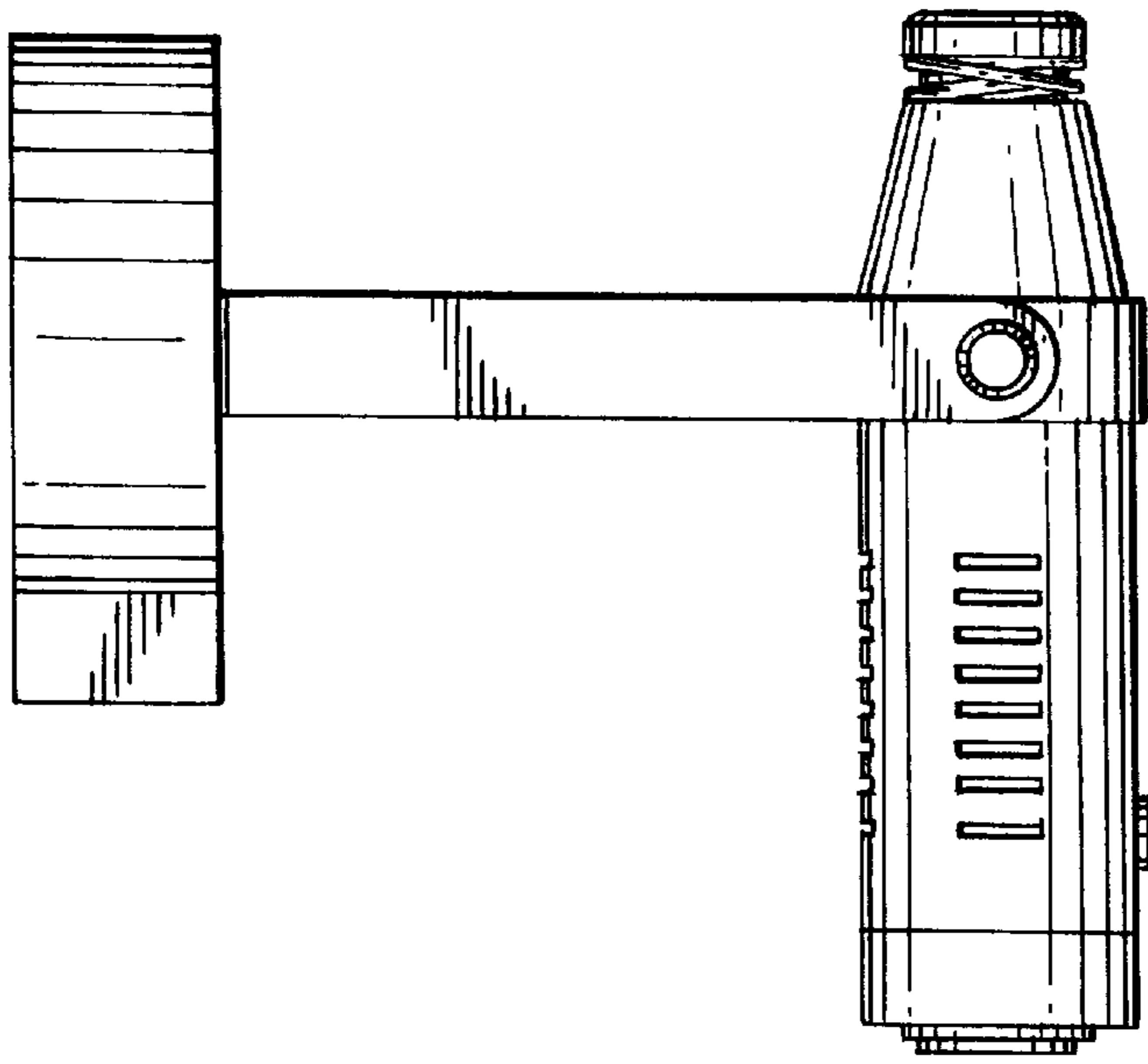


FIG. 1

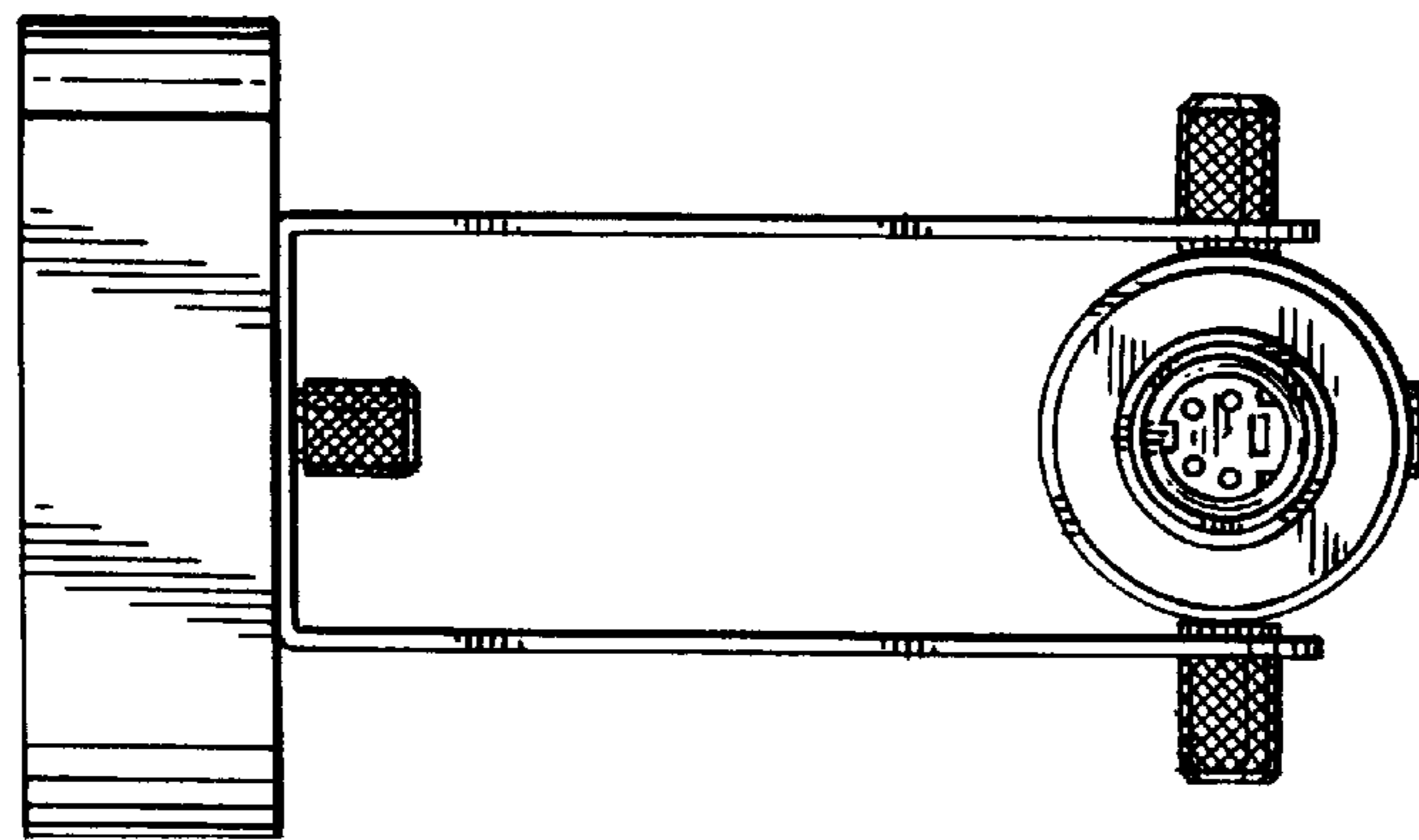


FIG. 2

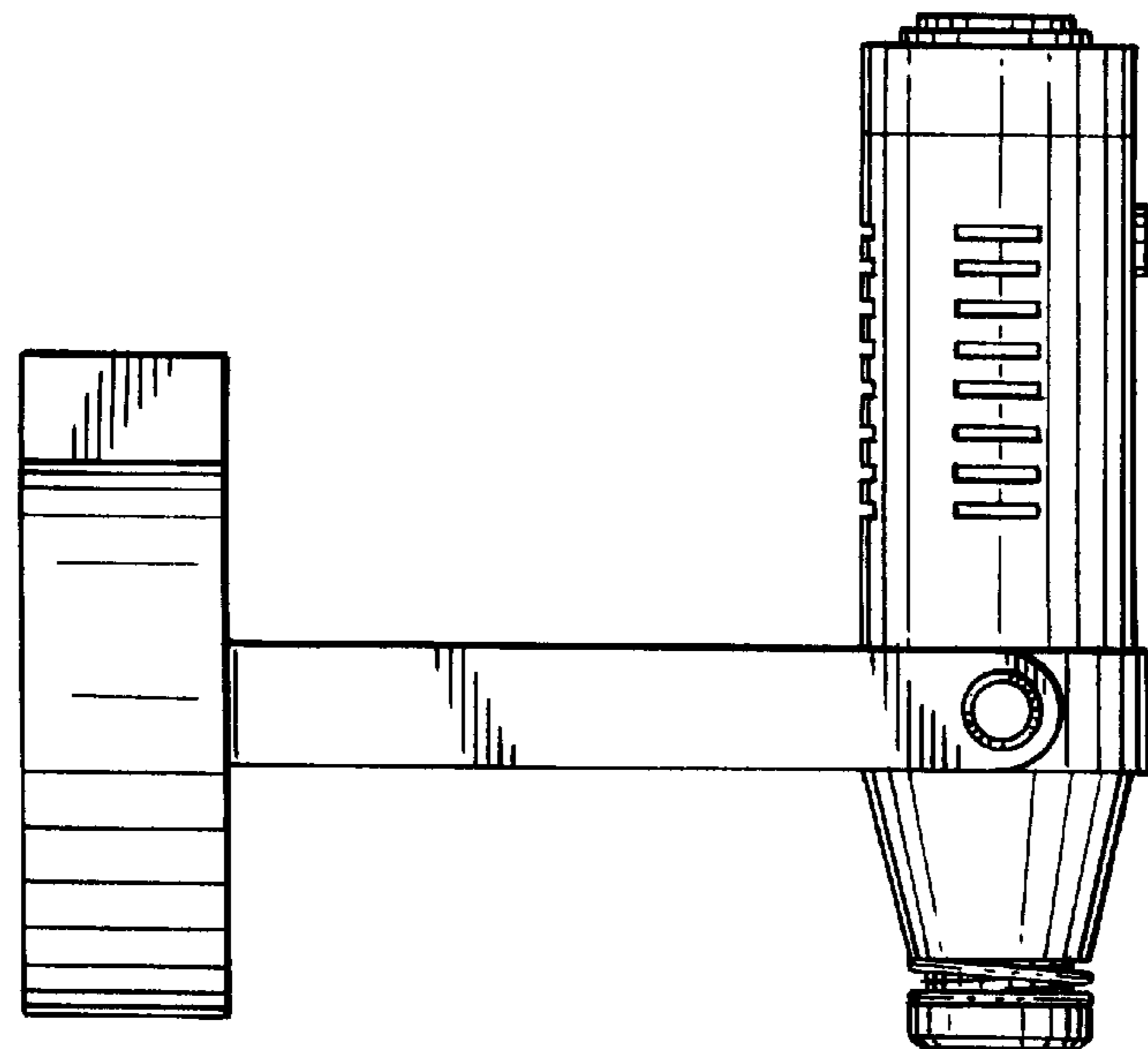


FIG. 3

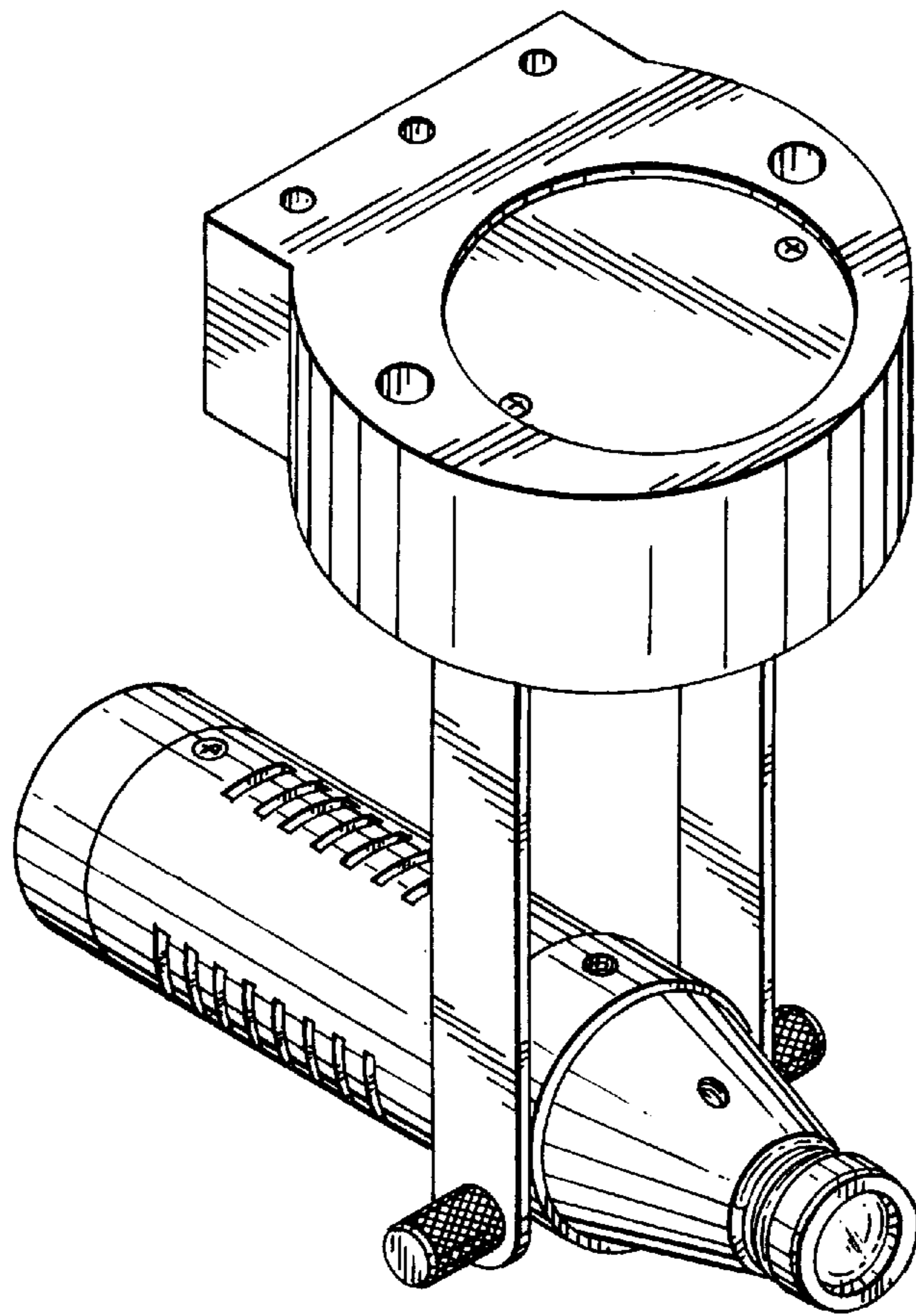


FIG. 7.