



US00D398318S

United States Patent [19] Oh

[11] **Patent Number: Des. 398,318**

[45] **Date of Patent: **Sep. 15, 1998**

[54] **VIDEO CAMERA**

[75] Inventor: **Jeong-Seok Oh**, Seoul, Rep. of Korea

[73] Assignee: **LG Electronics Inc.**, Seoul, Rep. of Korea

[**] Term: **14 Years**

[21] Appl. No.: **73,018**

[22] Filed: **Aug. 18, 1997**

[30] Foreign Application Priority Data

Dec. 28, 1996 [KR] Rep. of Korea 96-28474

[51] **LOC (6) Cl.** **16-01**

[52] **U.S. Cl.** **D16/202**

[58] **Field of Search** D16/200-208;
348/373-376; 396/535-543; 358/906, 909.1;
H04N 5/225

[56] References Cited

U.S. PATENT DOCUMENTS

D. 316,555 4/1991 Ooi et al. D16/202

D. 346,615	5/1994	Sumita	D16/202
D. 355,664	2/1995	Kataoka	D16/202
D. 356,806	3/1995	Kim	D16/202
D. 381,995	8/1997	Sumita	D16/202
5,499,052	3/1996	Nakanishi et al.	348/373

OTHER PUBLICATIONS

Video Magazine, p. 91 (Hitachi VMH39a), Jan. 1993.

Primary Examiner—Philip S. Hyder

Assistant Examiner—Adir Aronovich

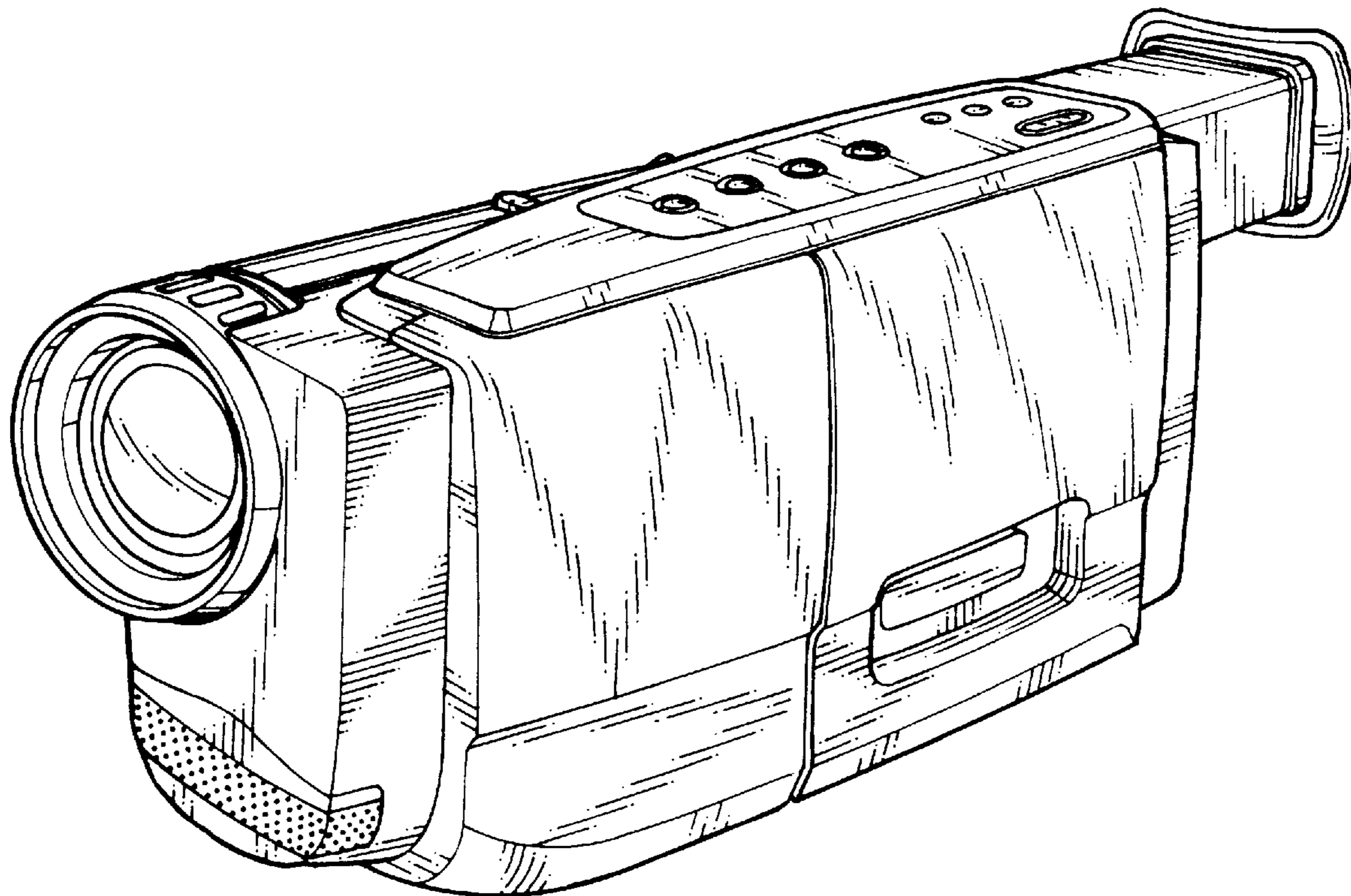
[57] CLAIM

The ornamental design for a video camera, as shown and described.

DESCRIPTION

FIG. 1 is a perspective view of the video camera;
FIG. 2 is a front plan view thereof;
FIG. 3 is a rear view thereof;
FIG. 4 is a left side view thereof;
FIG. 5 is a right side view thereof;
FIG. 6 is a top plan view thereof; and,
FIG. 7 is a bottom plan view thereof.

1 Claim, 5 Drawing Sheets



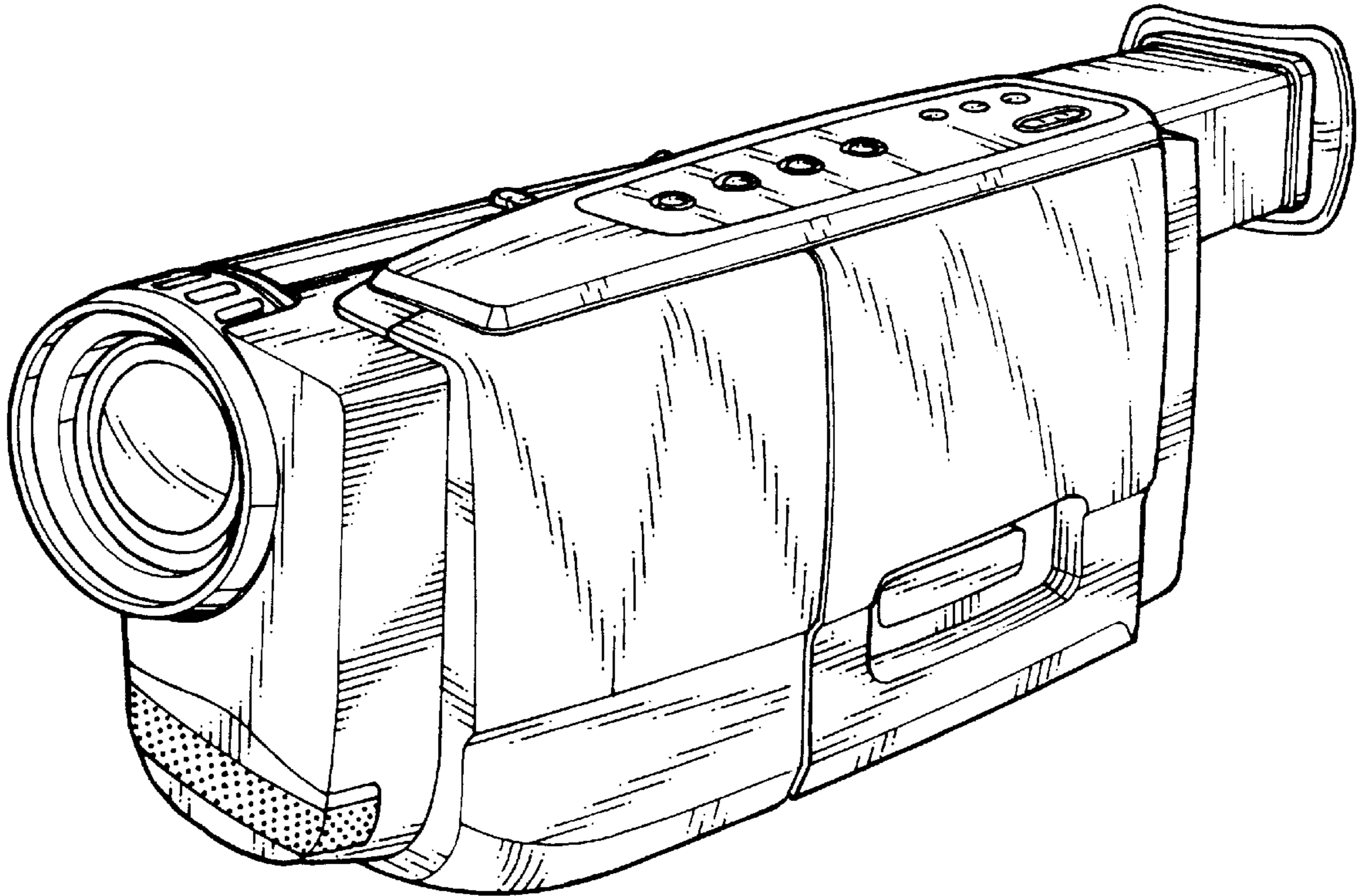


FIG. 1

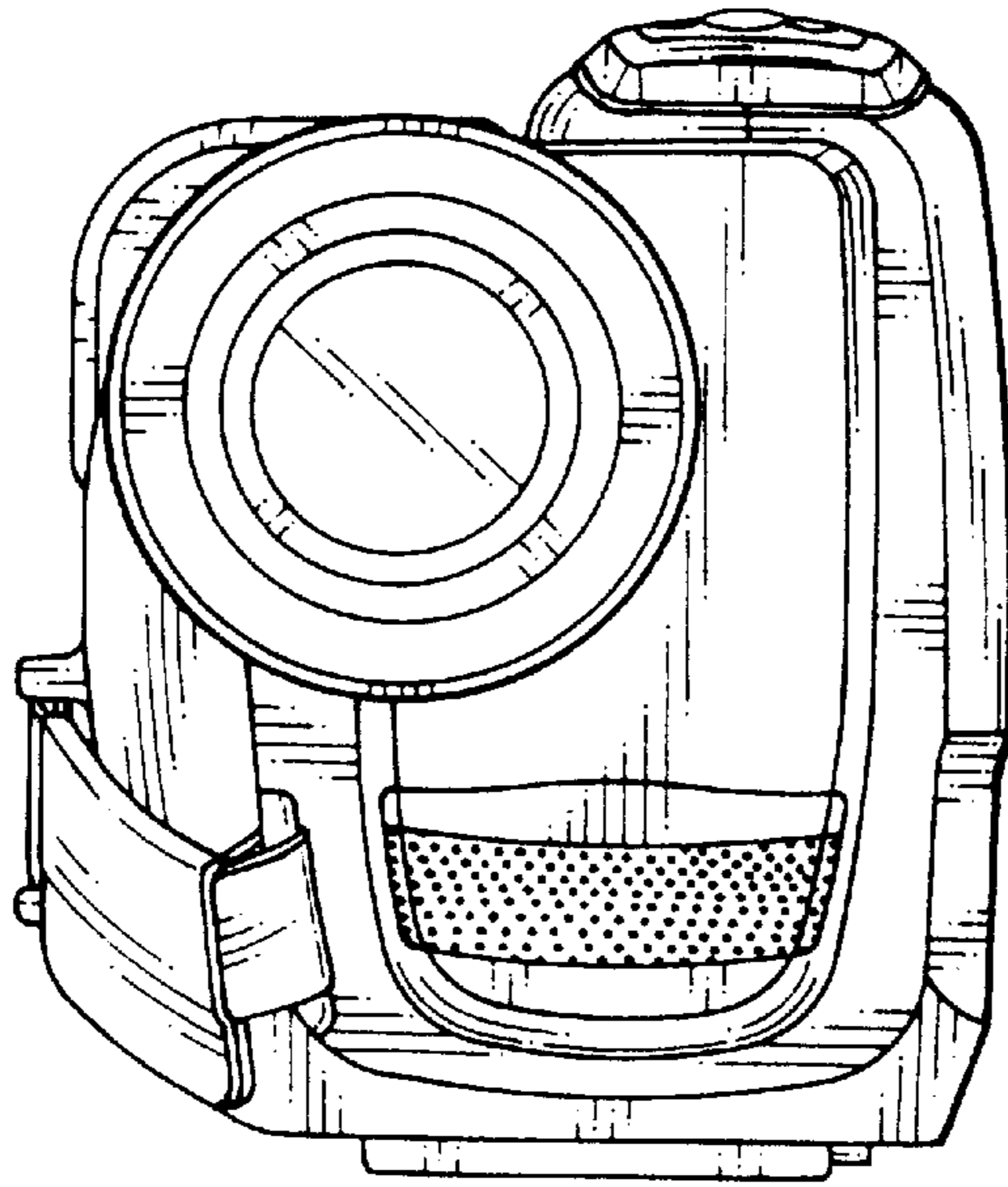


FIG. 2

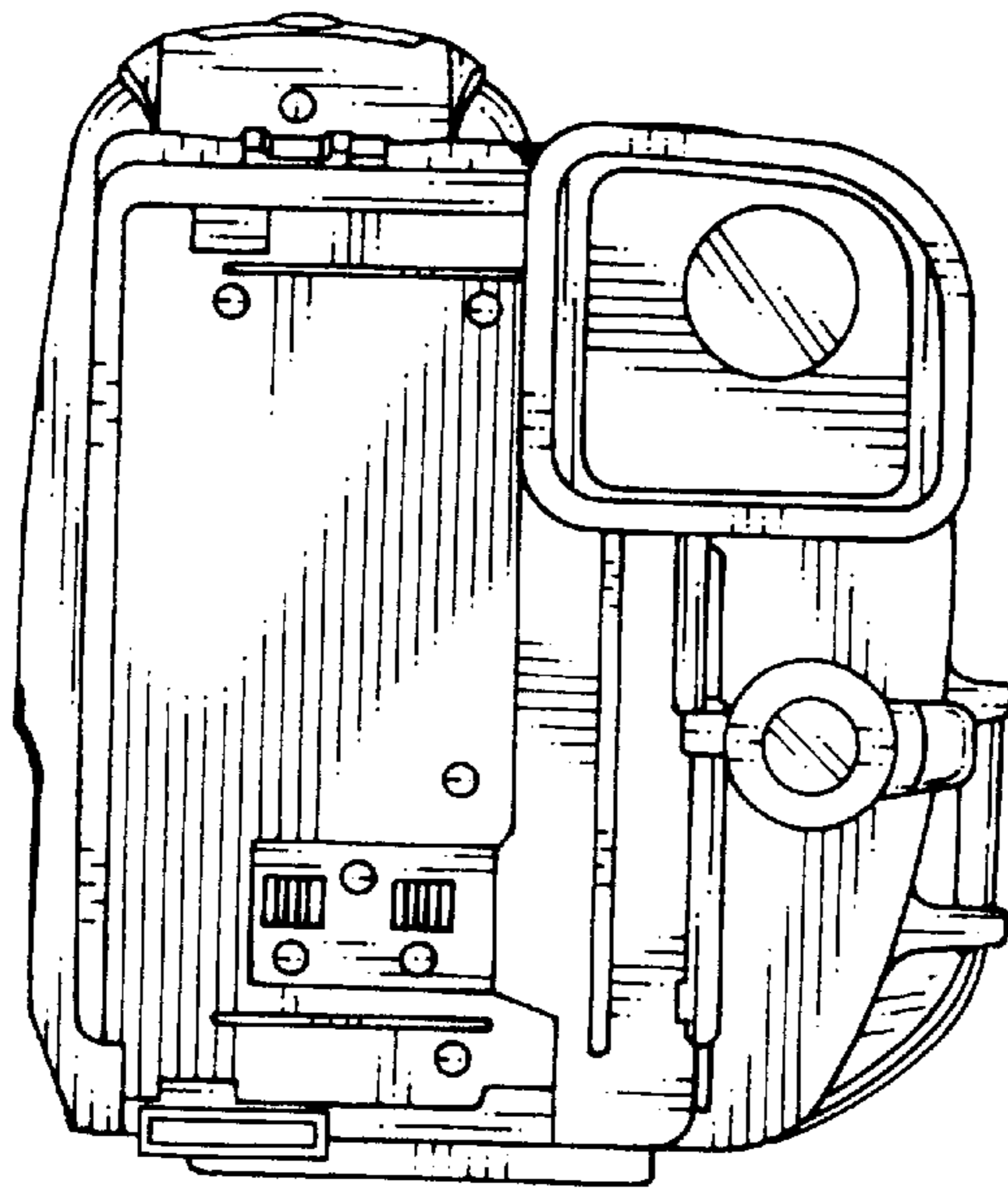


FIG. 3

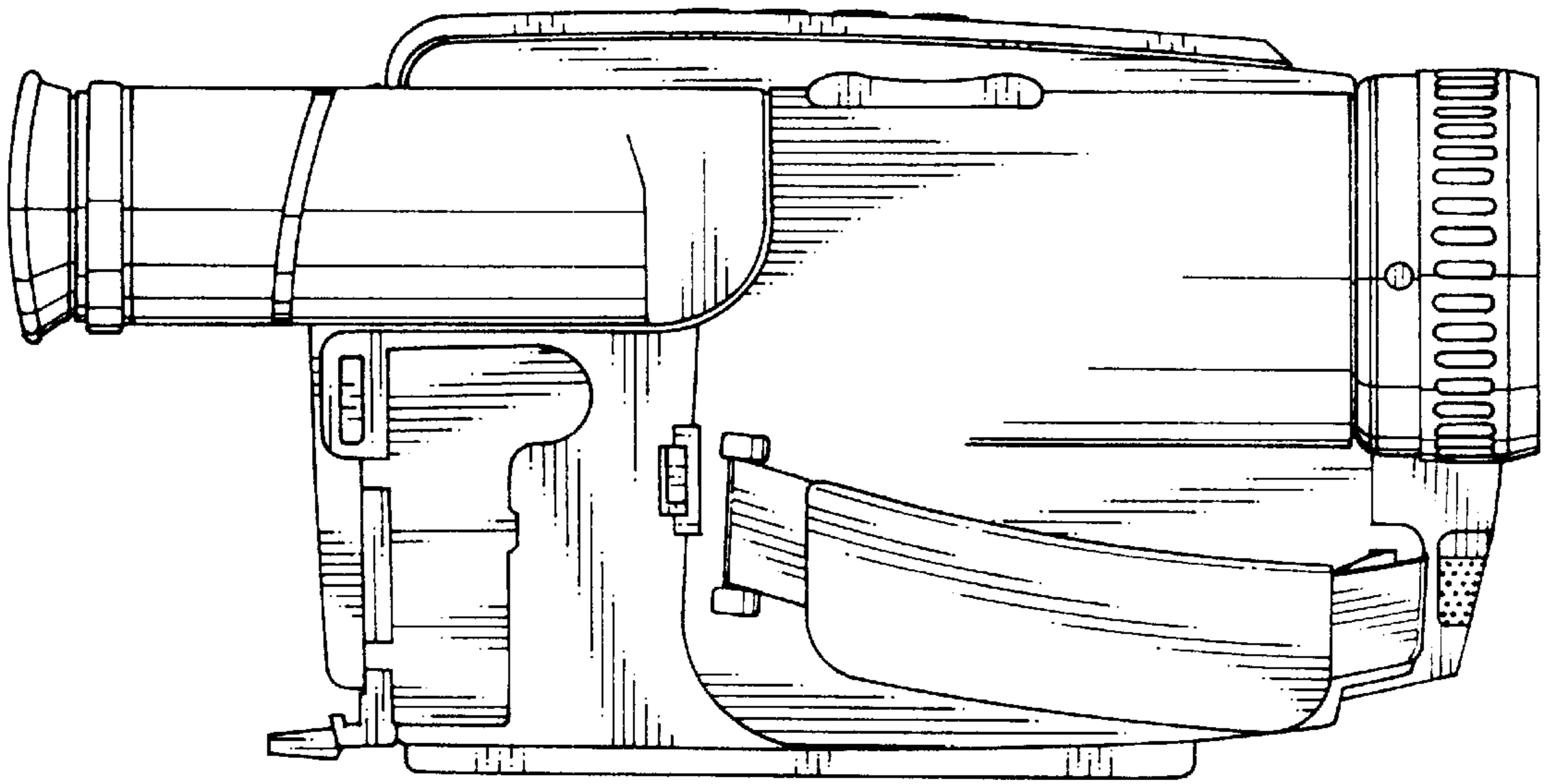


FIG. 4

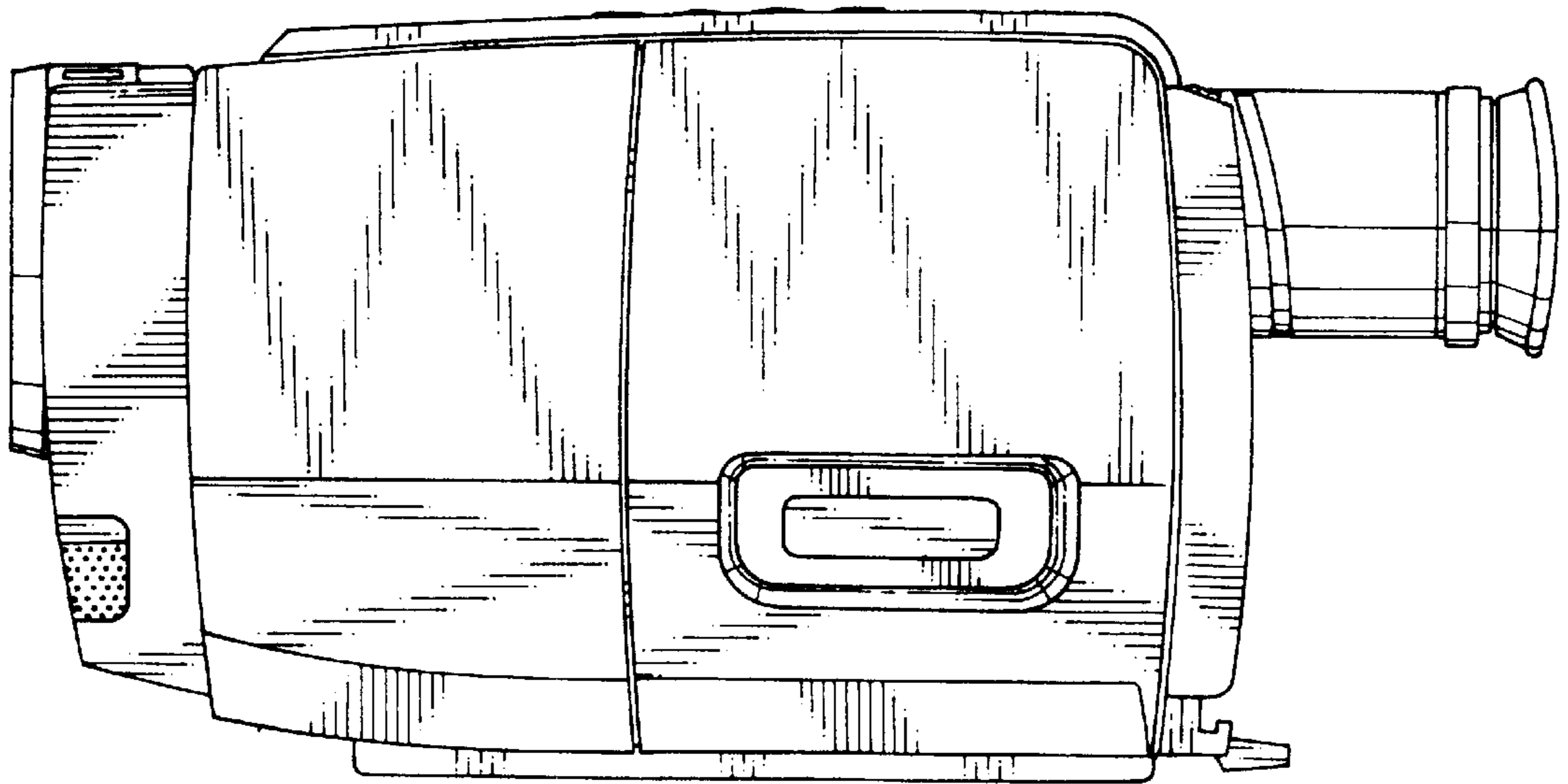


FIG. 5

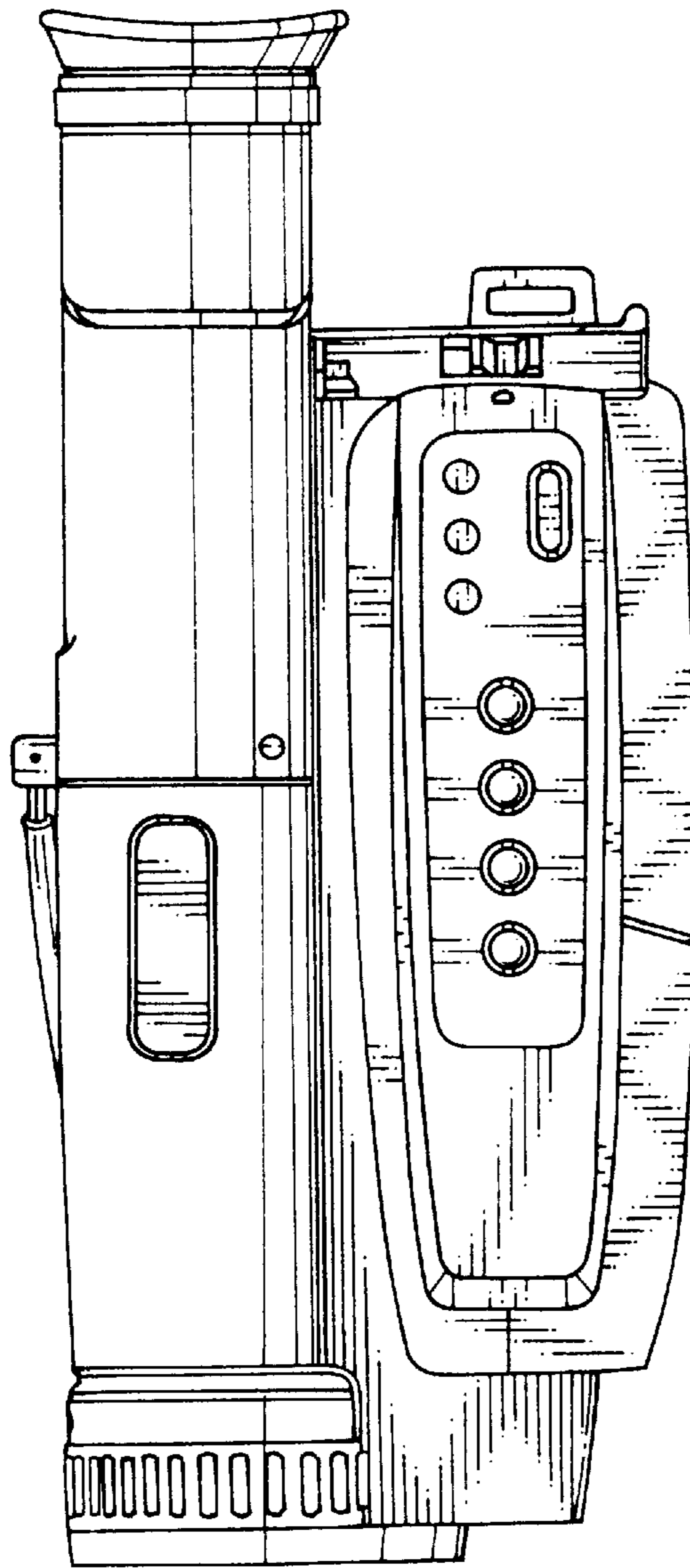


FIG. 6

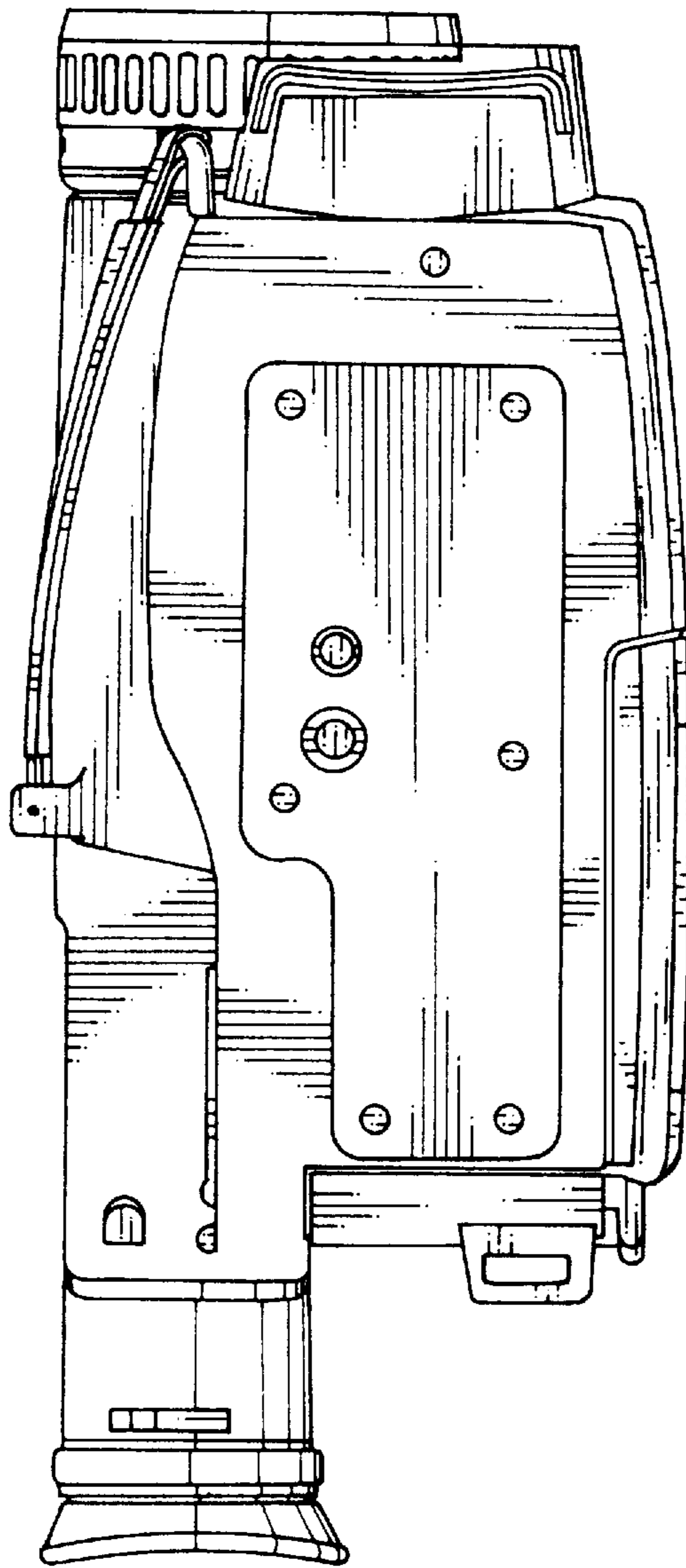


FIG. 7

UNITED STATES PATENT AND TRADEMARK OFFICE
CERTIFICATE OF CORRECTION

PATENT NO. : Des. 398,318
DATED : Sept. 15, 1998
INVENTOR(S) : Oh

It is certified that error appears in the above-identified patent and that said Letters Patent is hereby corrected as shown below:

On the title page, item [22]

please change "**Aug. 18, 1997**" to – **June**

27, 1997 --.

Signed and Sealed this
Sixteenth Day of November, 1999

Attest:



Q. TODD DICKINSON

Attesting Officer

Acting Commissioner of Patents and Trademarks