



US00D398316S

United States Patent [19]
Feldman

[11] **Patent Number: Des. 398,316**
[45] **Date of Patent: **Sep. 15, 1998**

[54] **MAGNIFYING DEVICE FOR THE DISPLAY OF A VIDEOCASSETTE RECORDER OR STEREO**

[76] Inventor: **Thomas Feldman**, 1756 W. Roscoe, #2, Chicago, Ill. 60657

[**] Term: **14 Years**

[21] Appl. No.: **75,422**

[22] Filed: **Aug. 18, 1997**

[51] **LOC (6) Cl.** **16-06**

[52] **U.S. Cl.** **D16/135**

[58] **Field of Search** D16/130, 135; D14/124, 125, 299; 359/440, 802, 804, 809, 810, 823, 742, 601; 348/832; 40/362; 396/382; 116/20

[56] **References Cited**

U.S. PATENT DOCUMENTS

902,063	10/1908	Felix	359/804 X
1,678,493	7/1928	Van Albada	.
1,989,454	1/1935	Koster	359/804 X
2,449,886	9/1948	Dougherty	359/810
3,076,276	2/1963	Pitchford	359/804 X
3,753,610	8/1973	Samuel	359/742
4,457,585	7/1984	Ducorday	359/742 X
4,712,870	12/1987	Robinson et al.	.
4,934,773	6/1990	Becker	.
4,991,935	2/1991	Sakurai	.

5,048,928	9/1991	Davis	.
5,061,052	10/1991	DeJesus	.
5,119,239	6/1992	Iaquinto et al.	.
5,307,209	4/1994	Iaquinto et al.	359/804 X
5,394,198	2/1995	Janow	.
5,523,890	6/1996	Reaney	.
5,583,702	12/1996	Cintra	.

FOREIGN PATENT DOCUMENTS

0609878	12/1960	Canada	359/802
3325016 A1	1/1985	Germany	H04N 5/74

Primary Examiner—Paula A. Mortimer
Attorney, Agent, or Firm—Gardner, Carton & Douglas

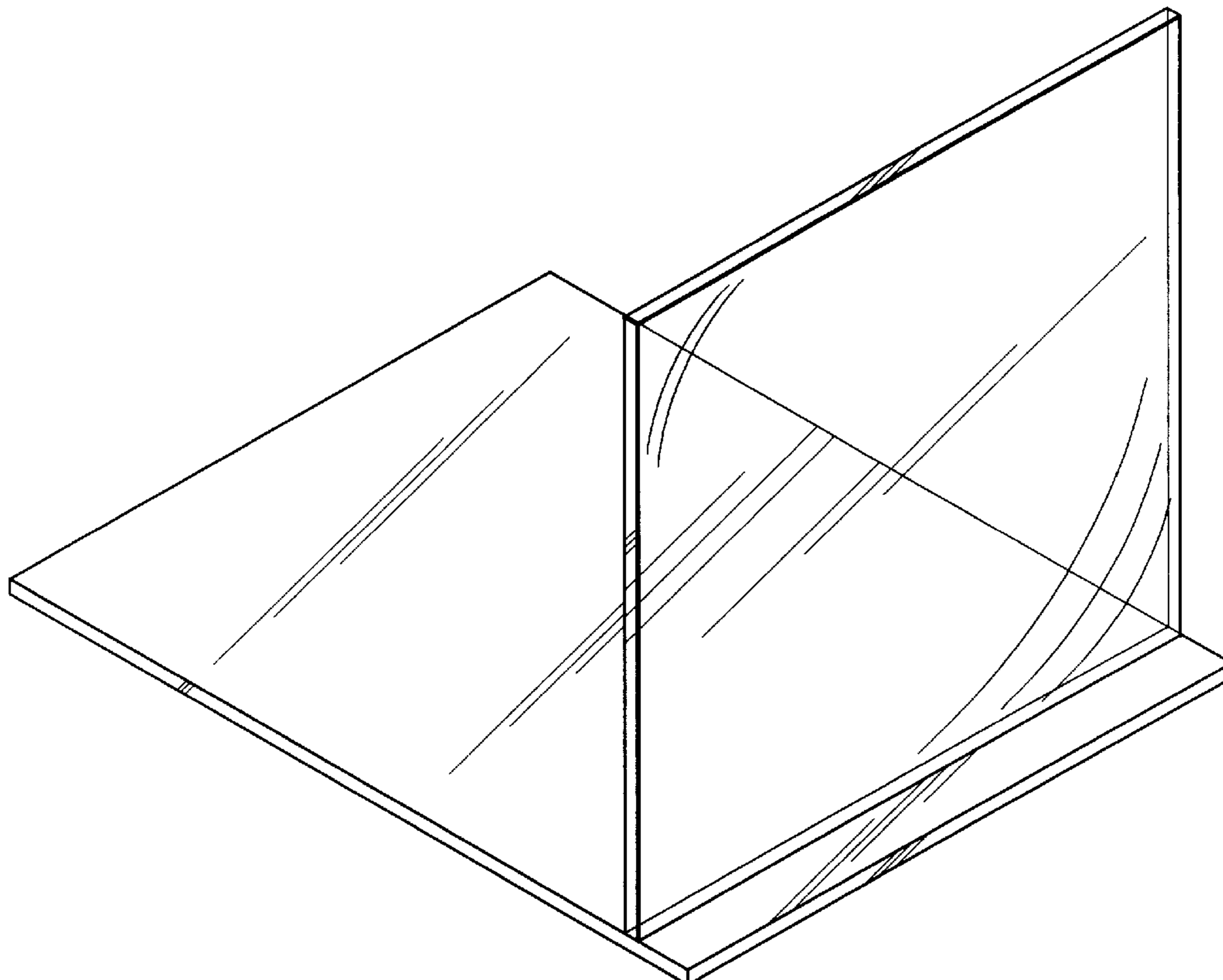
[57] **CLAIM**

The ornamental design for the magnifying device for the display of a videocassette recorder or stereo, as shown and described.

DESCRIPTION

FIG. 1 is a perspective view of a magnifying device for the display of a videocassette recorder or stereo showing my new design;
FIG. 2 is a top view thereof;
FIG. 3 is a front view thereof;
FIG. 4 is a bottom view thereof;
FIG. 5 is a right side view thereof;
FIG. 6 is a left side view thereof; and,
FIG. 7 is a rear view thereof.

1 Claim, 2 Drawing Sheets



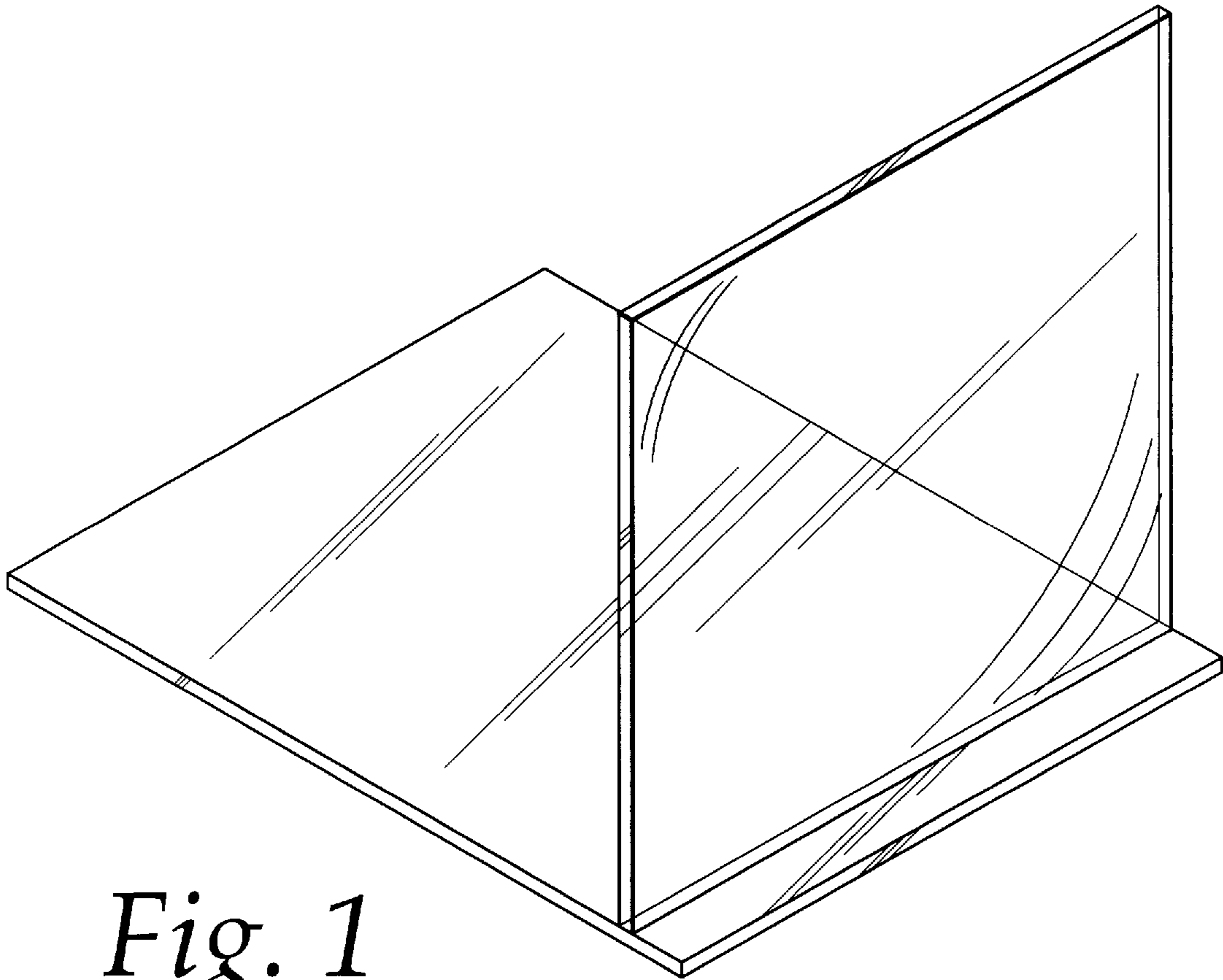


Fig. 1

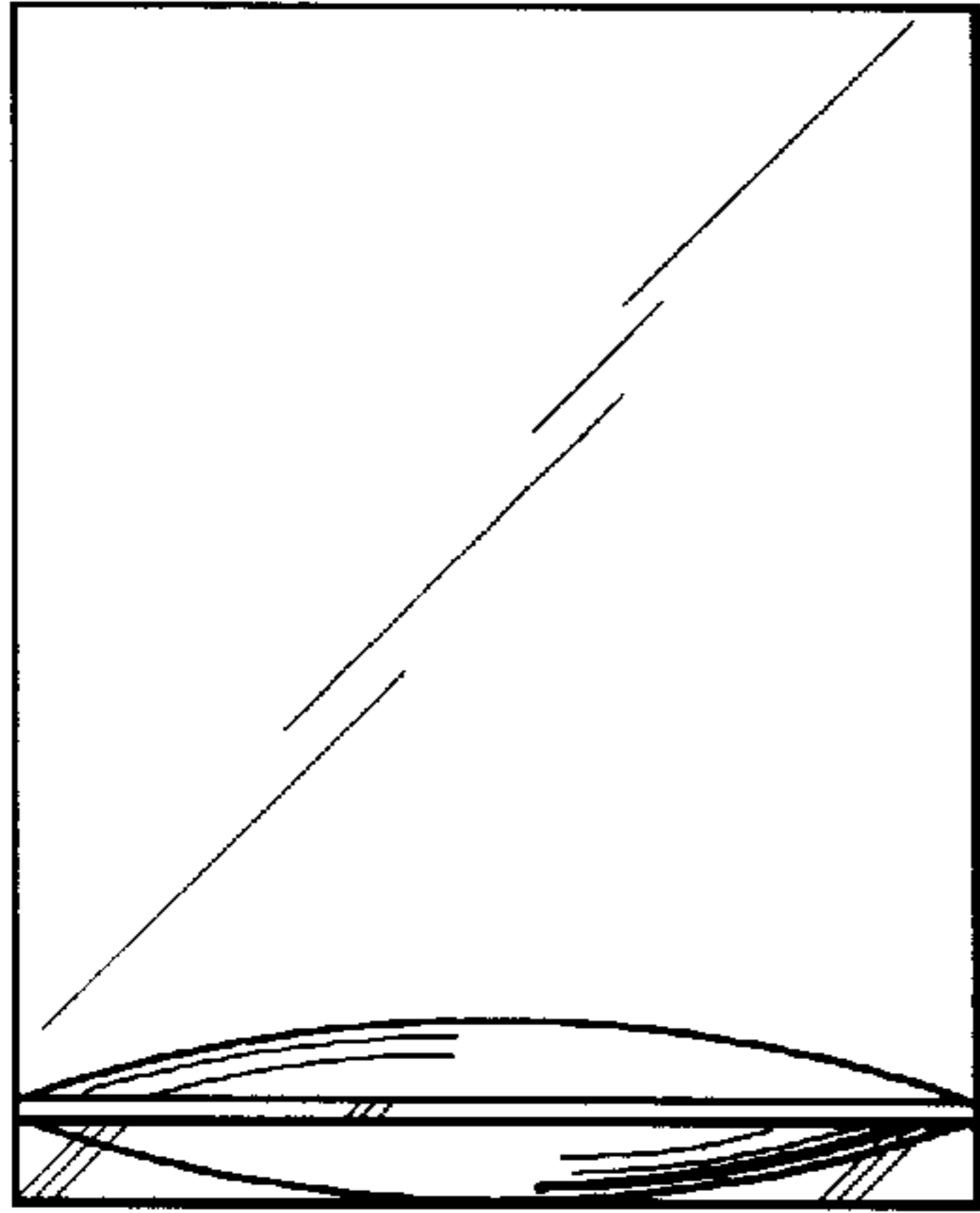


Fig. 2

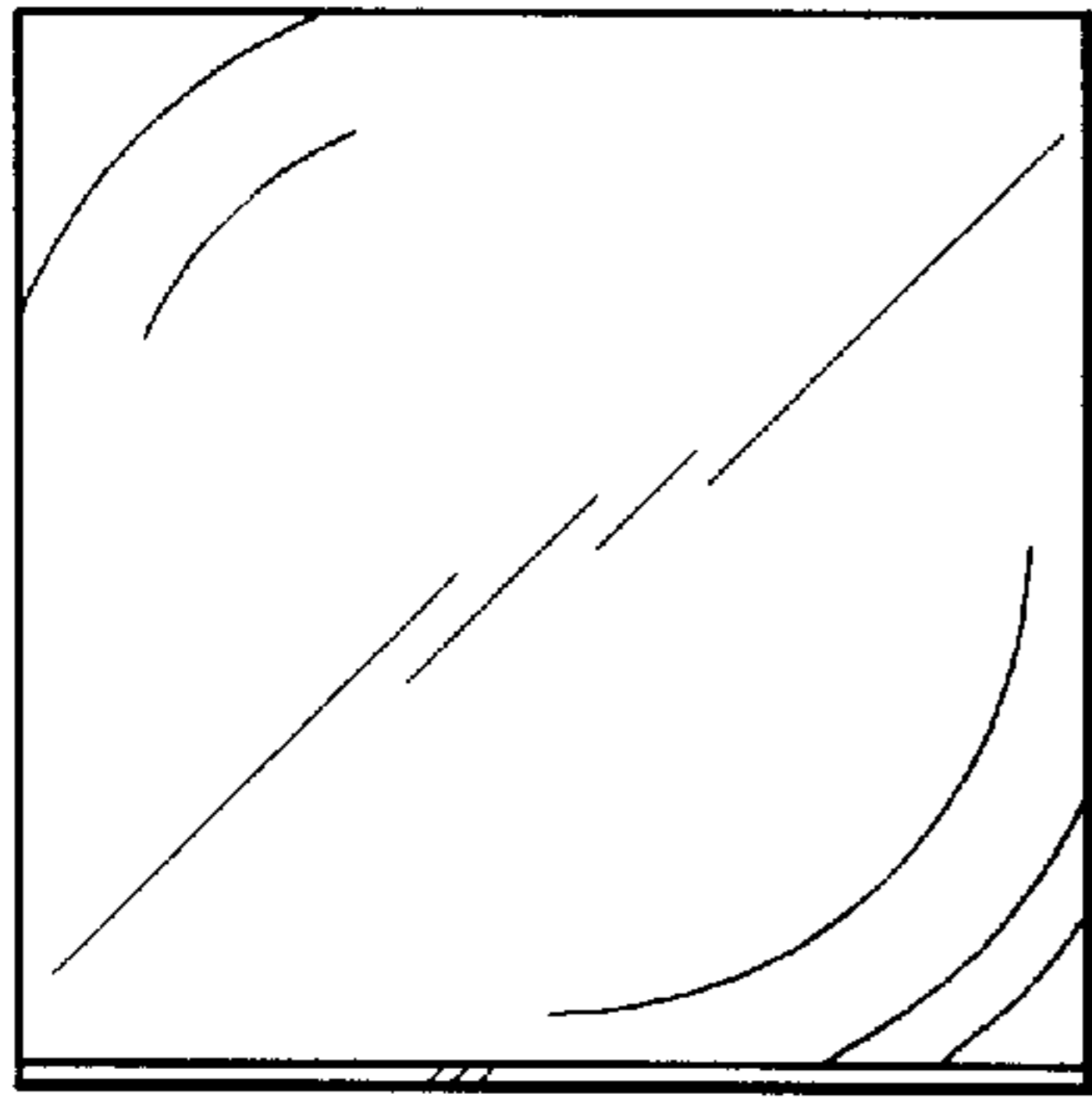


Fig. 3

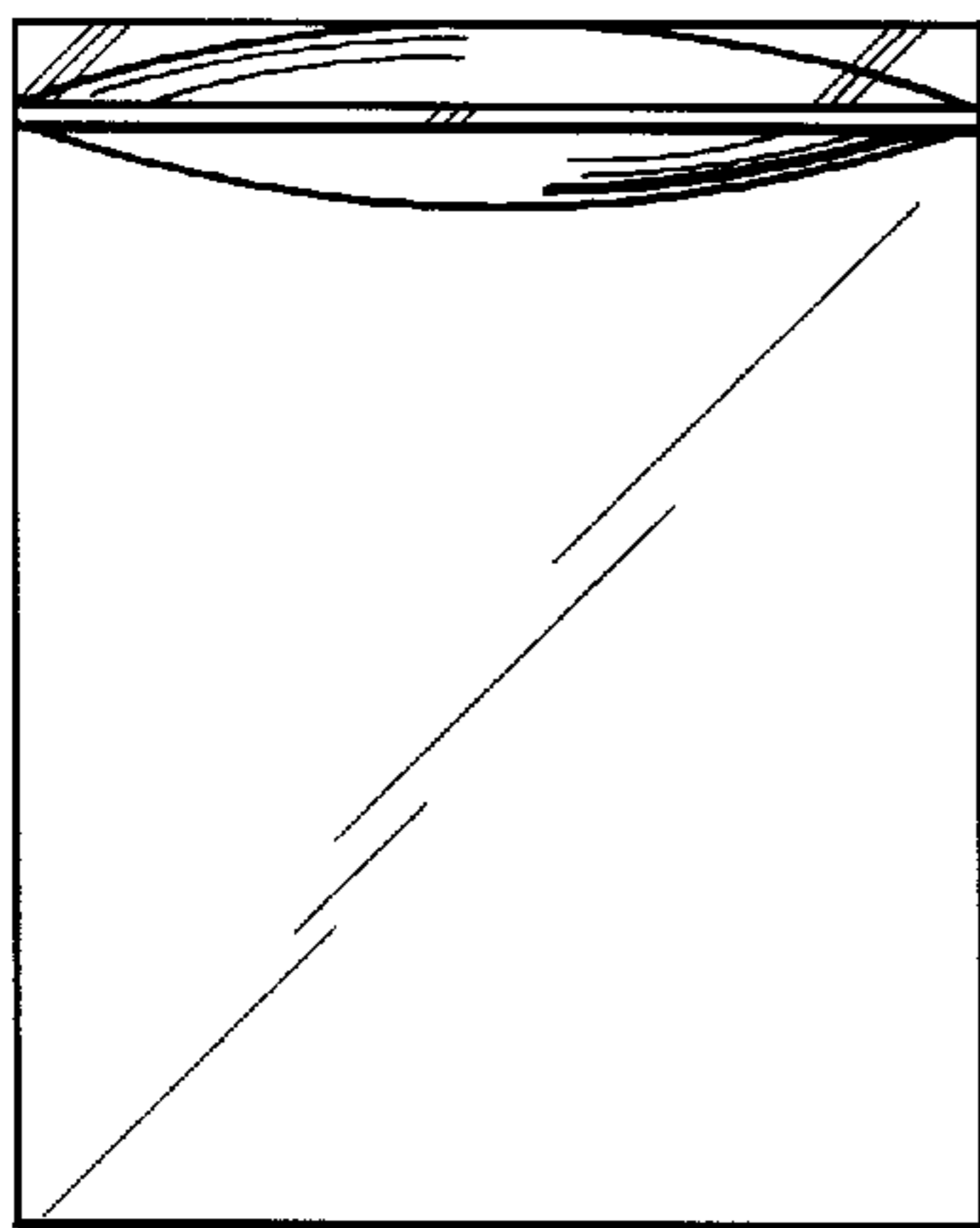


Fig. 4

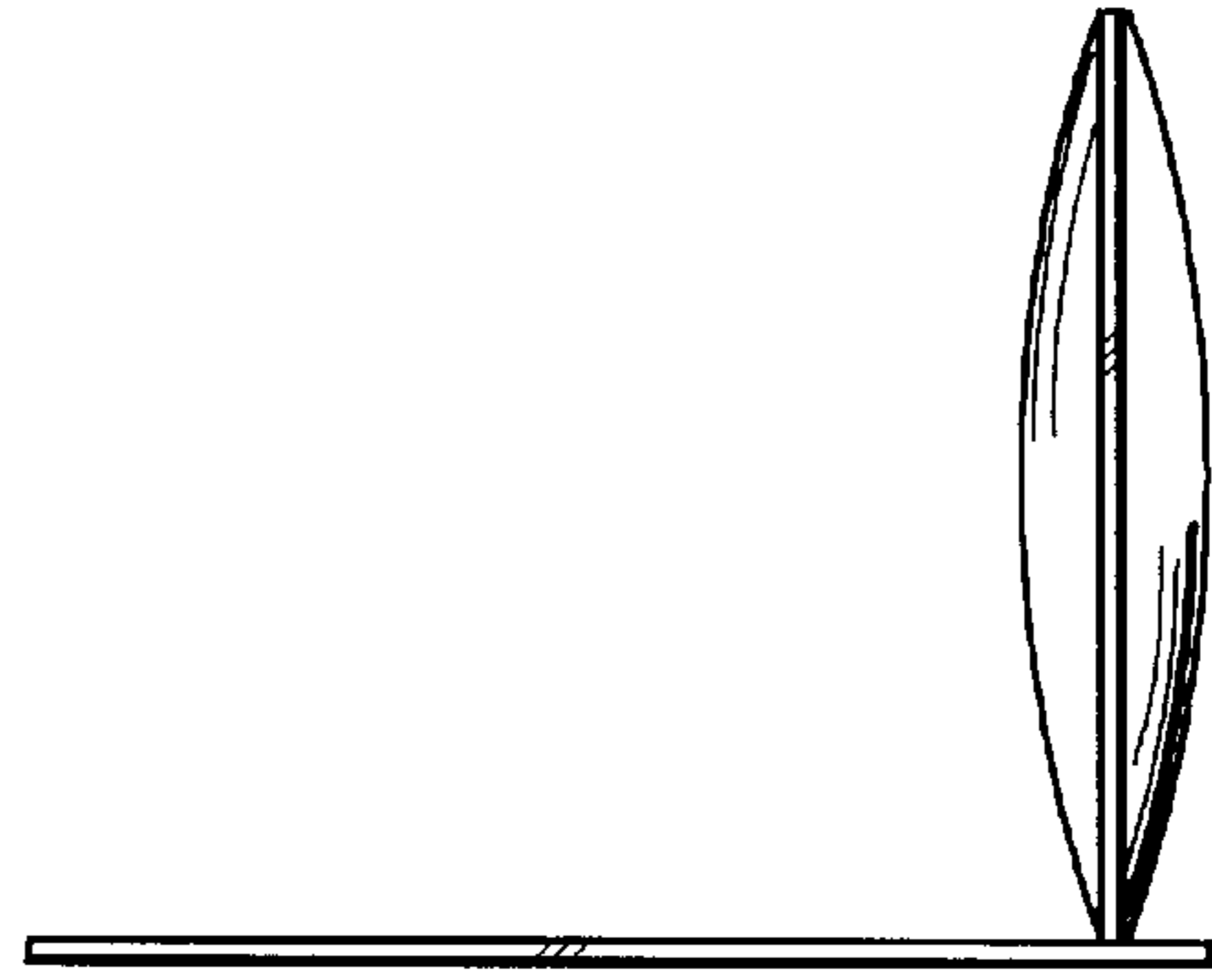


Fig. 5

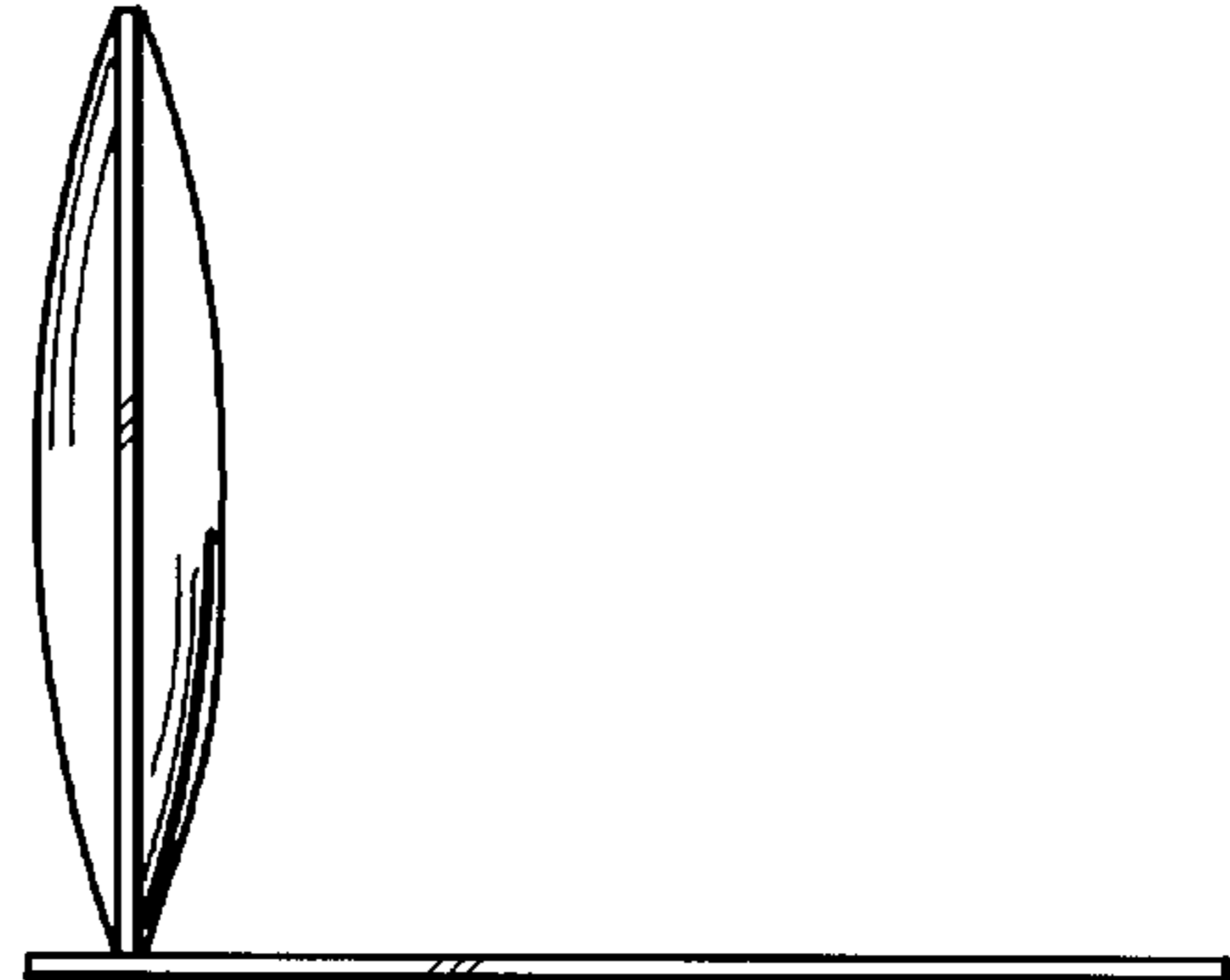


Fig. 6

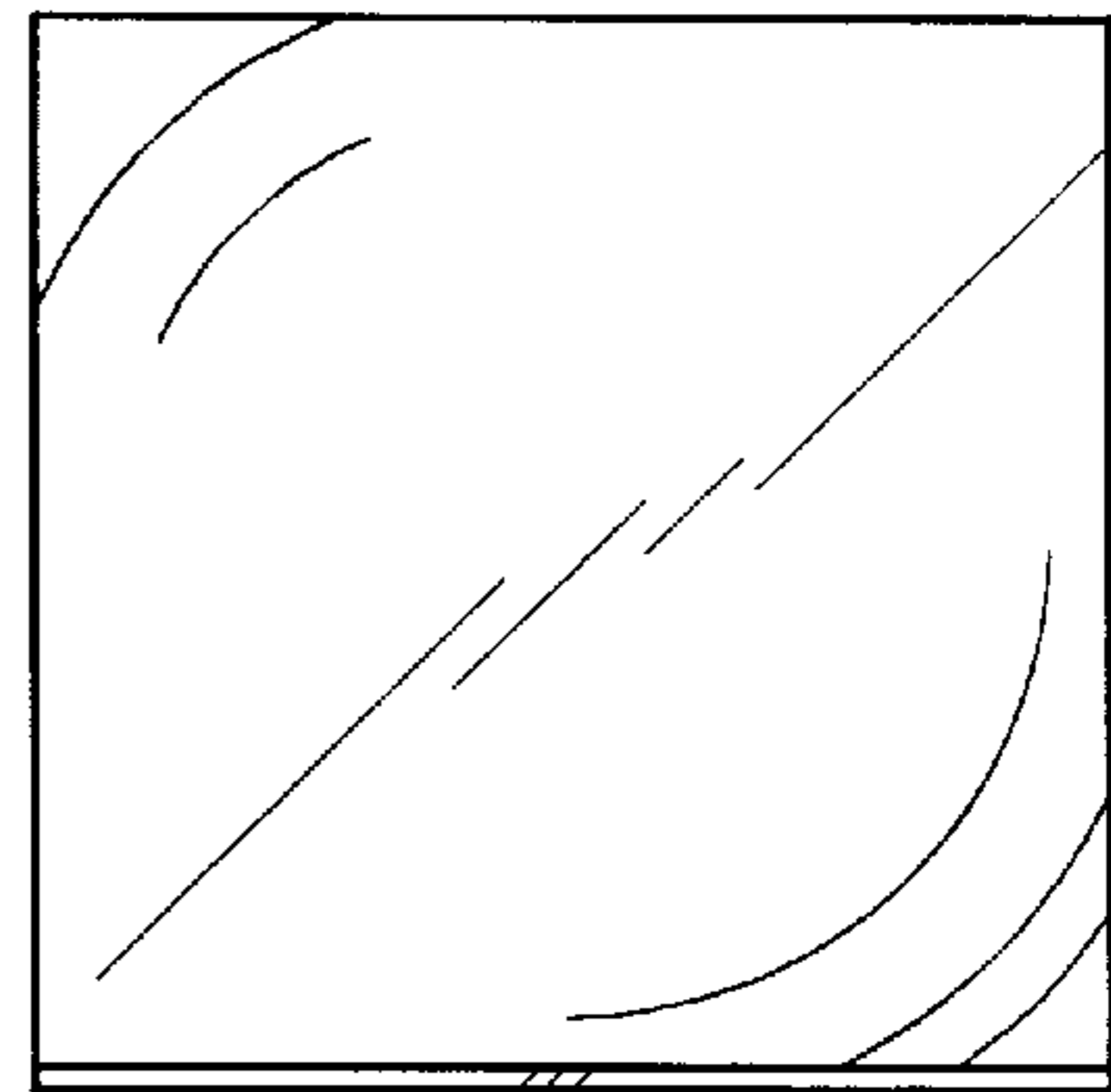


Fig. 7