



US00D398315S

# United States Patent [19] Miyamoto

[11] **Patent Number: Des. 398,315**

[45] **Date of Patent: \*\*Sep. 15, 1998**

[54] **LENS FOR TV CAMERA**

[75] Inventor: **Noriaki Miyamoto**, Yokohama, Japan

[73] Assignee: **Canon Kabushiki Kaisha**, Tokyo, Japan

[\*\*] Term: **14 Years**

[21] Appl. No.: **76,512**

[22] Filed: **Sep. 12, 1997**

[30] **Foreign Application Priority Data**

Mar. 19, 1997 [JP] Japan ..... 9-007923

[51] **LOC (6) Cl. .... 16-06**

[52] **U.S. Cl. .... D16/134; D16/219**

[58] **Field of Search .... D16/134, 200, D16/201, 202, 219, 237; 359/703, 704, 815, 819, 826, 827; 396/535-544, 534, 72**

[56] **References Cited**

**U.S. PATENT DOCUMENTS**

D. 337,775 7/1993 Takahashi ..... D16/134

D. 337,777 7/1993 Takahashi ..... D16/134  
D. 356,805 3/1995 Takahashi ..... D16/134  
D. 368,105 3/1996 Takahashi et al. .... D16/202  
4,148,569 4/1979 Suzaki et al. .... 359/826

**OTHER PUBLICATIONS**

35 mm photography, p.9 (Pentax lens), Jan. 1986.

*Primary Examiner*—Philip S. Hyder  
*Assistant Examiner*—Adir Aronovich  
*Attorney, Agent, or Firm*—Fitzpatrick, Cella, Harper & Scinto

[57] **CLAIM**

The ornamental design for a lens for TV camera, as shown and described.

**DESCRIPTION**

FIG. 1 is a front view of a lens for TV camera showing my new design;  
FIG. 2 is a rear view thereof;  
FIG. 3 is a top plan view thereof;  
FIG. 4 is a bottom plan view thereof;  
FIG. 5 is a left side view thereof;  
FIG. 6 is a right side view thereof; and,  
FIG. 7 is a perspective view thereof.

**1 Claim, 4 Drawing Sheets**

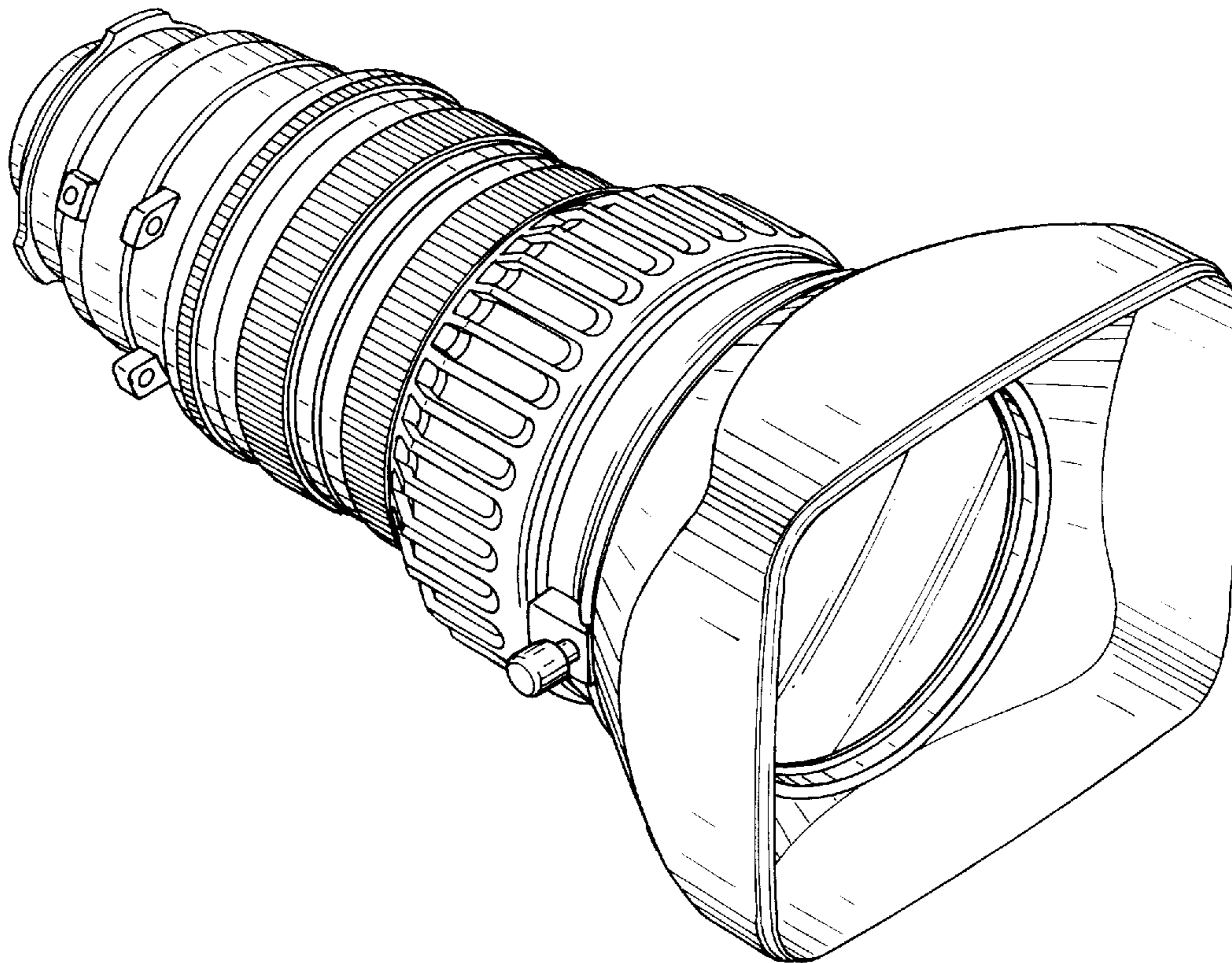




FIG. 3

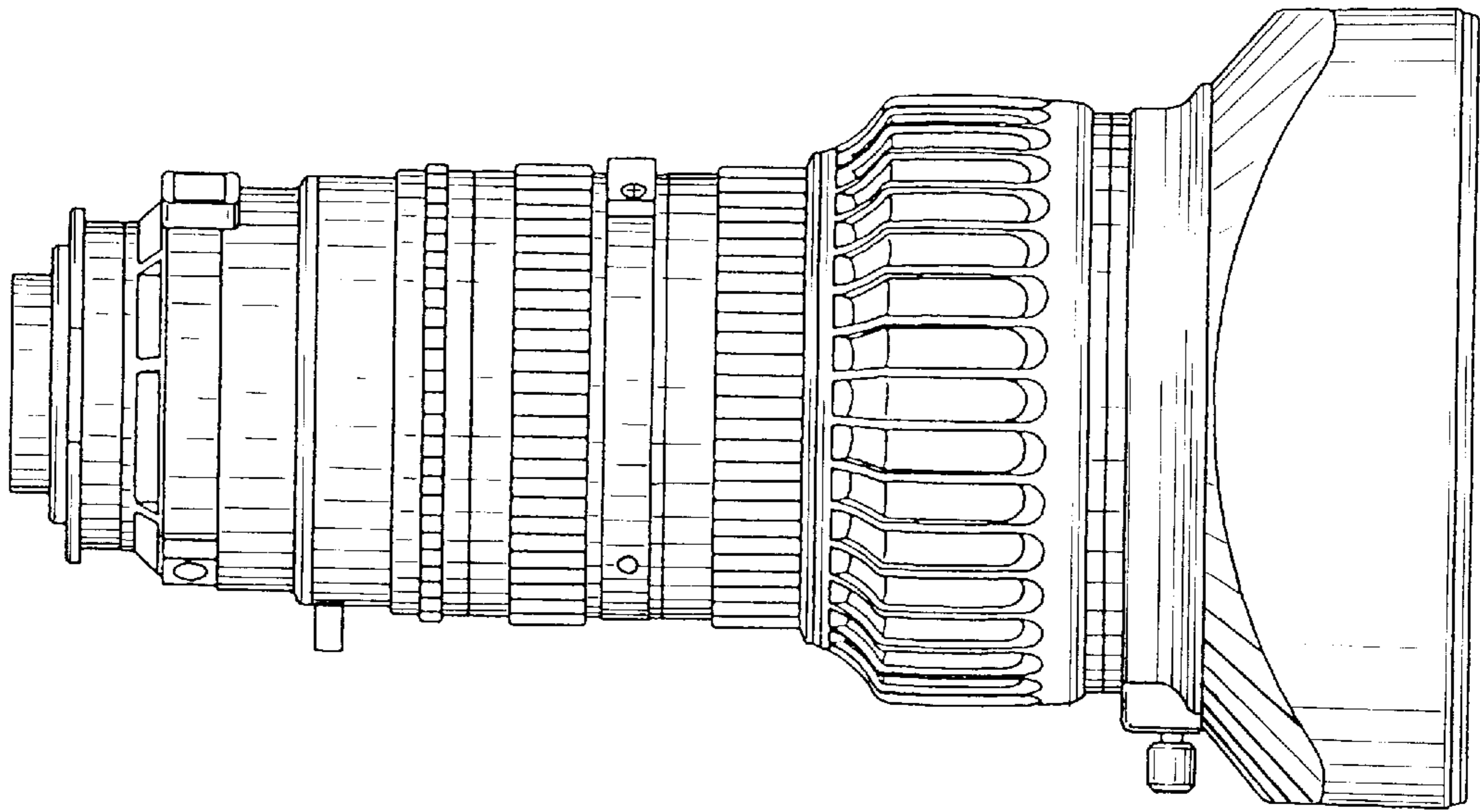


FIG. 4

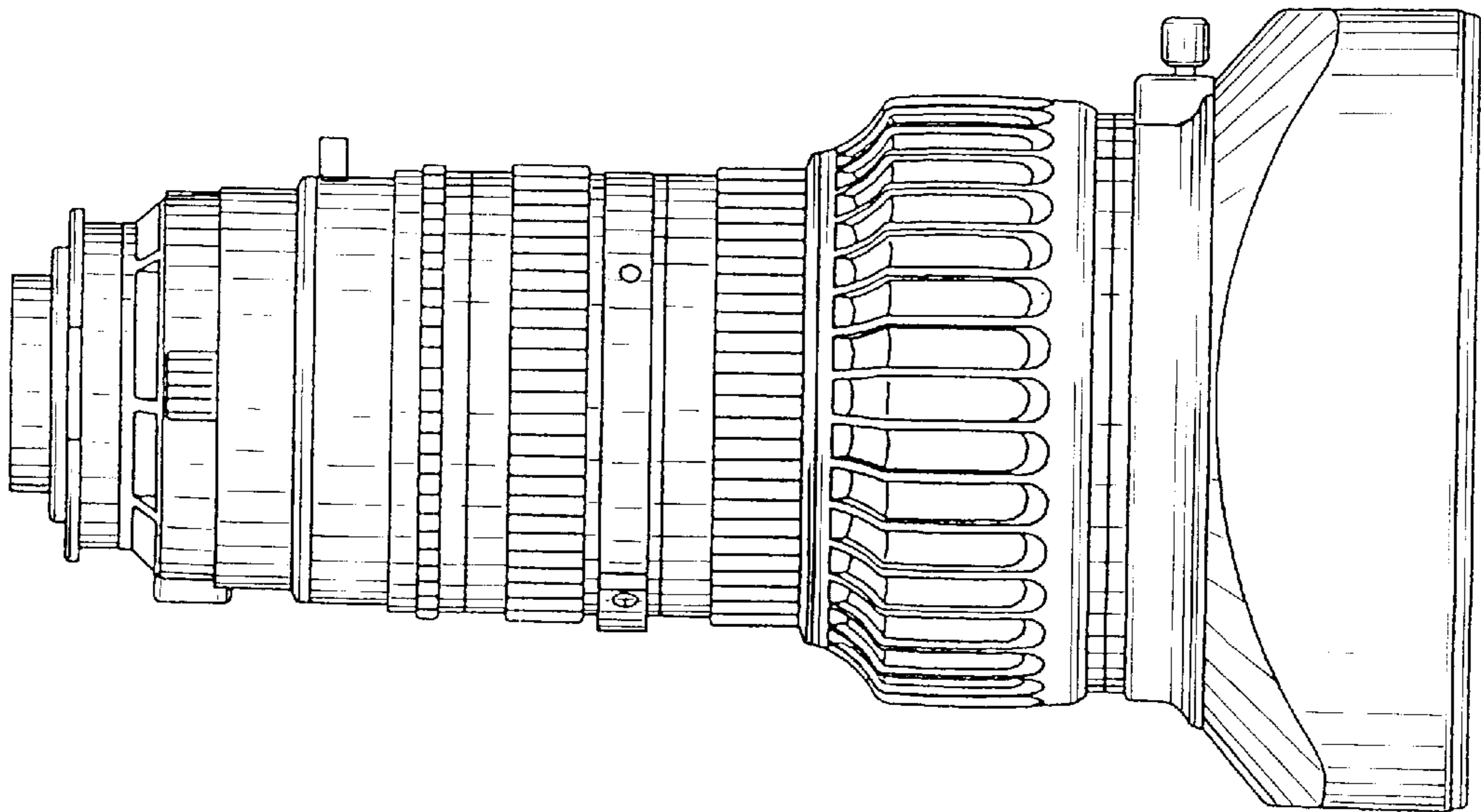


FIG. 5

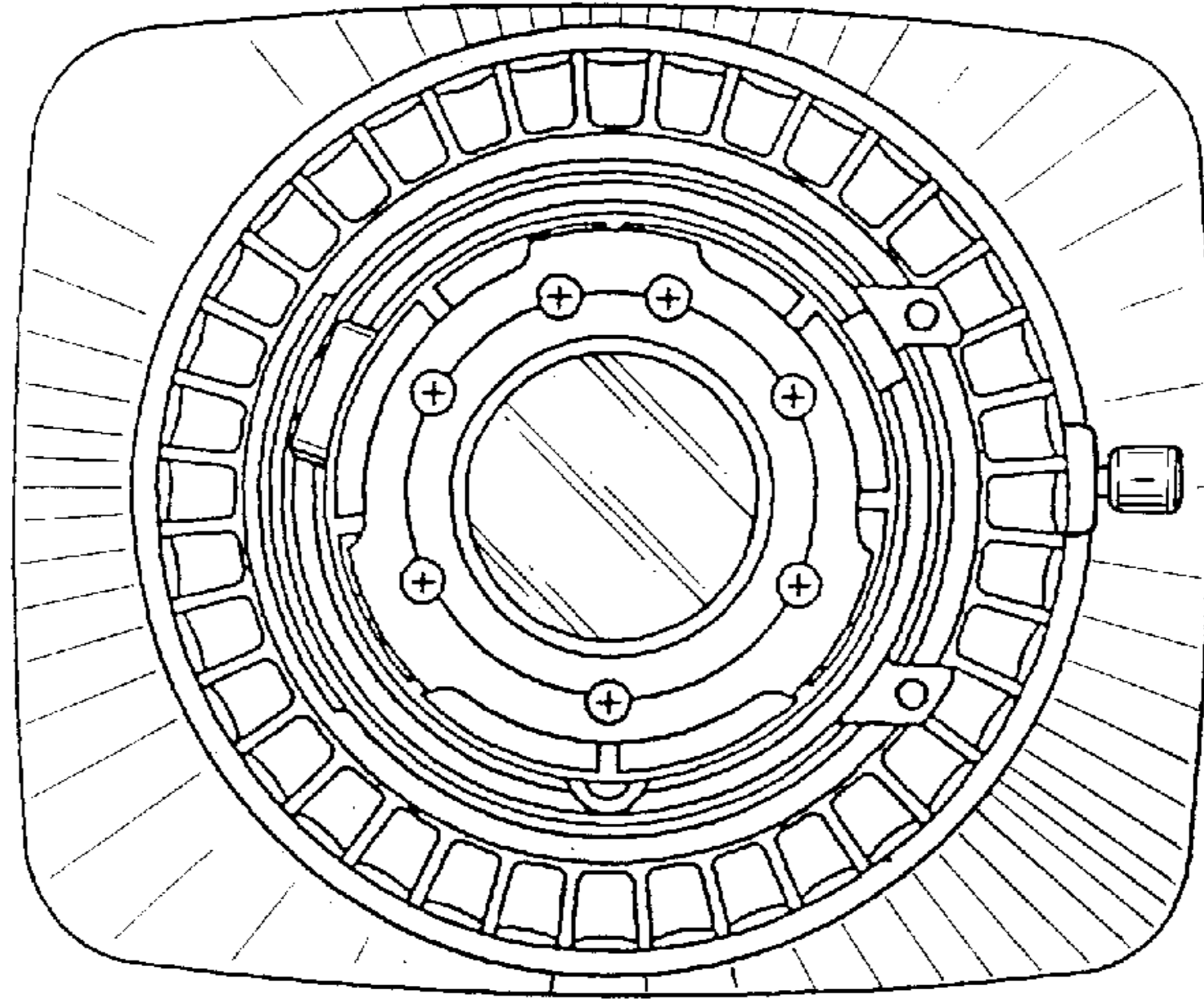
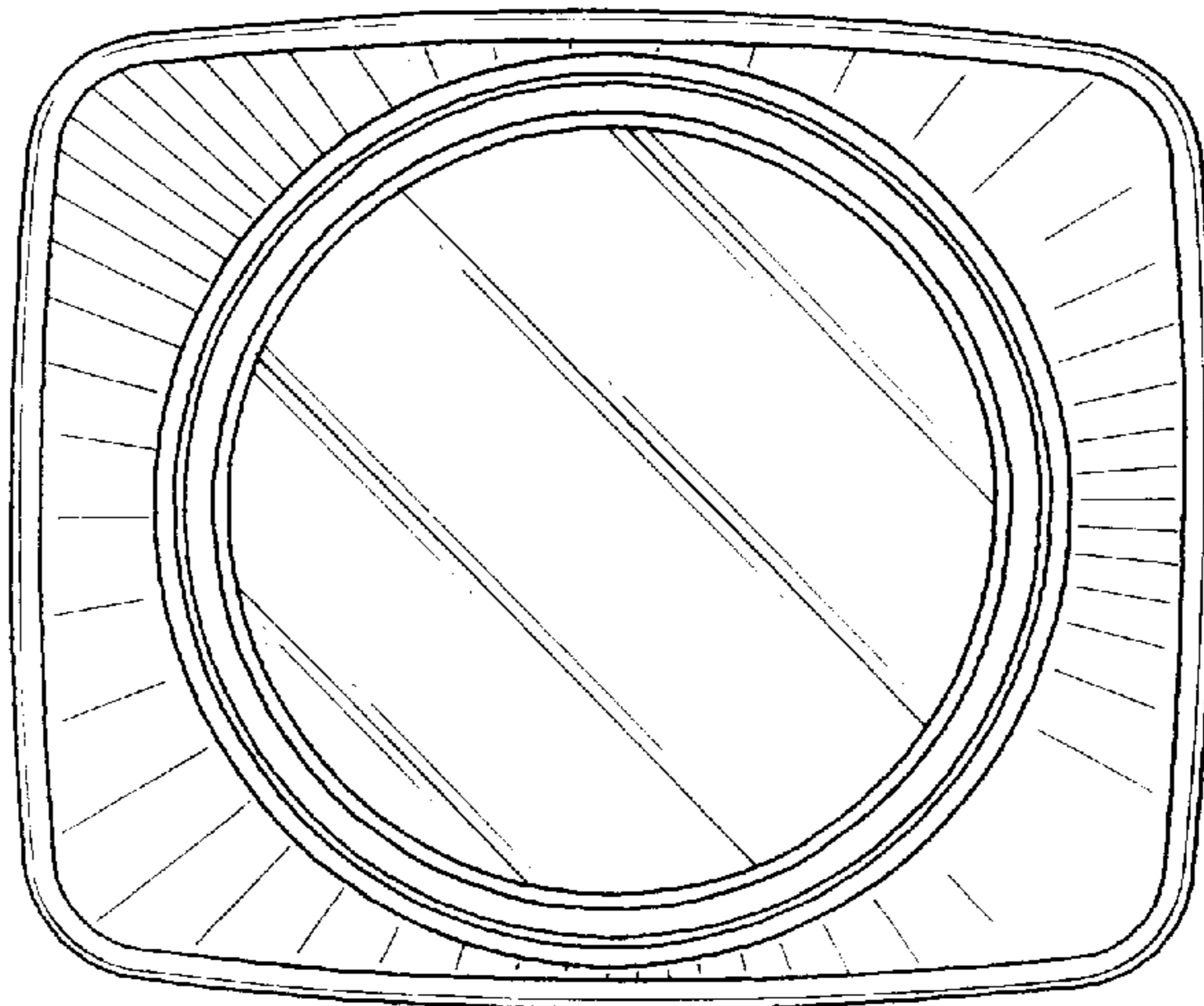


FIG. 6



*FIG. 7*

