



US00D398312S

United States Patent [19]
Heilig

[11] **Patent Number: Des. 398,312**

[45] **Date of Patent: **Sep. 15, 1998**

[54] **ANIMAL CARCASS HOMOGENIZATION APPARATUS**

4,960,601 10/1990 Cummins 426/518 X

[76] Inventor: **David M. Heilig**, Box 127, Laurel, Nebr. 68745

Primary Examiner—Antoine Duval Davis
Attorney, Agent, or Firm—Zarley, McKee, Thomte Voorhees & Sease

[**] Term: **14 Years**

[57] **CLAIM**

[21] Appl. No.: **70,533**

The ornamental design for an animal carcass homogenization apparatus, as shown.

[22] Filed: **May 9, 1997**

DESCRIPTION

[51] **LOC (6) Cl.** **15-09**

[52] **U.S. Cl.** **D15/127; D15/147**

[58] **Field of Search** D15/127, 147, D15/199; 71/15; D34/1, 1.1, 5, 6, 7; D7/372, 376; 426/518, 519

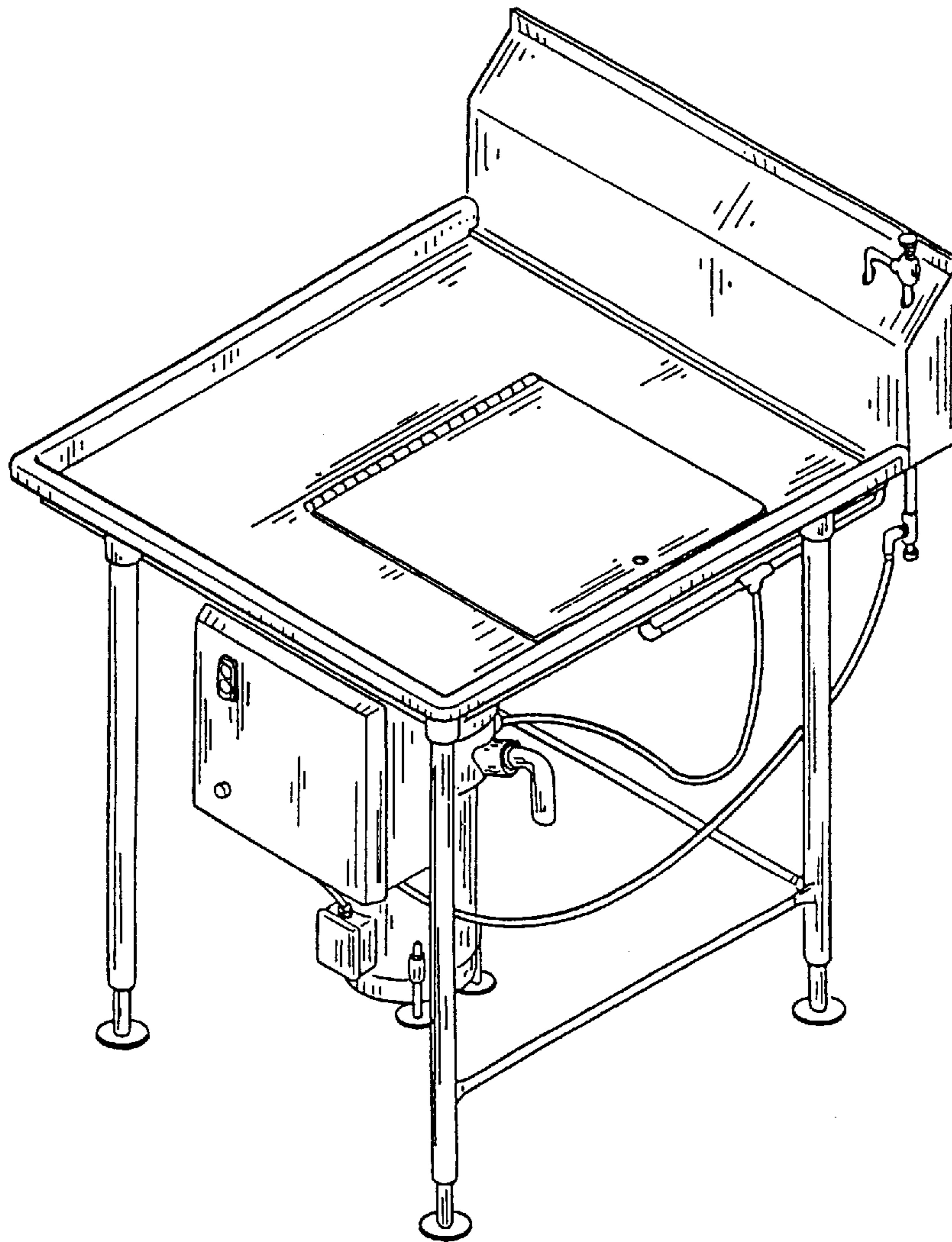
FIG. 1 is a perspective view of the animal carcass homogenization apparatus showing my new design; FIG. 2 is a top plan view thereof; FIG. 3 is a front elevational view thereof; FIG. 4 is a left side elevational view thereof; FIG. 5 is a right side elevational view thereof; FIG. 6 is a rear elevational view thereof; and, FIG. 7 is a bottom plan view thereof.

[56] **References Cited**

U.S. PATENT DOCUMENTS

D. 178,294 7/1956 Lasar D7/372

1 Claim, 2 Drawing Sheets



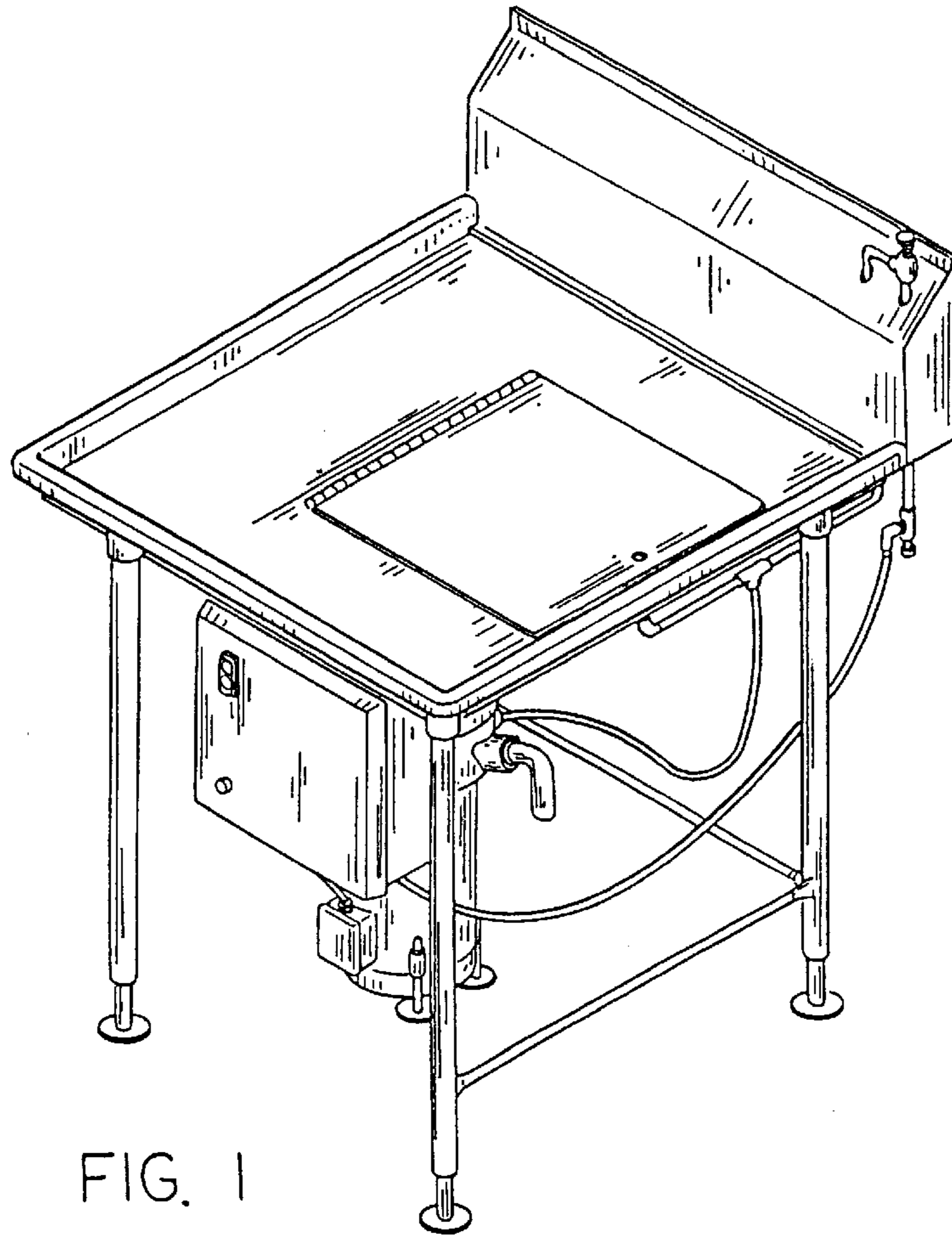


FIG. 1

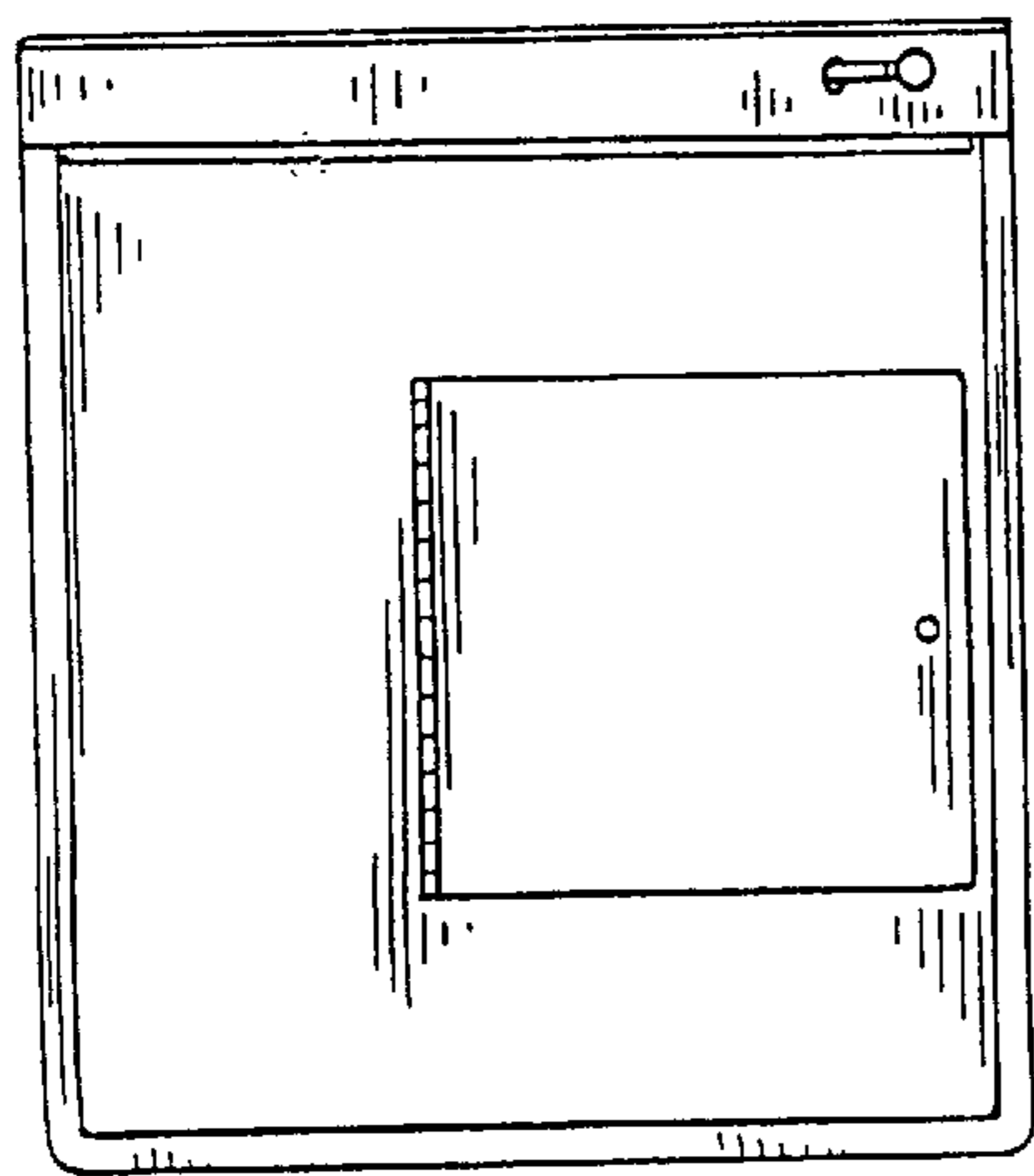


FIG. 2

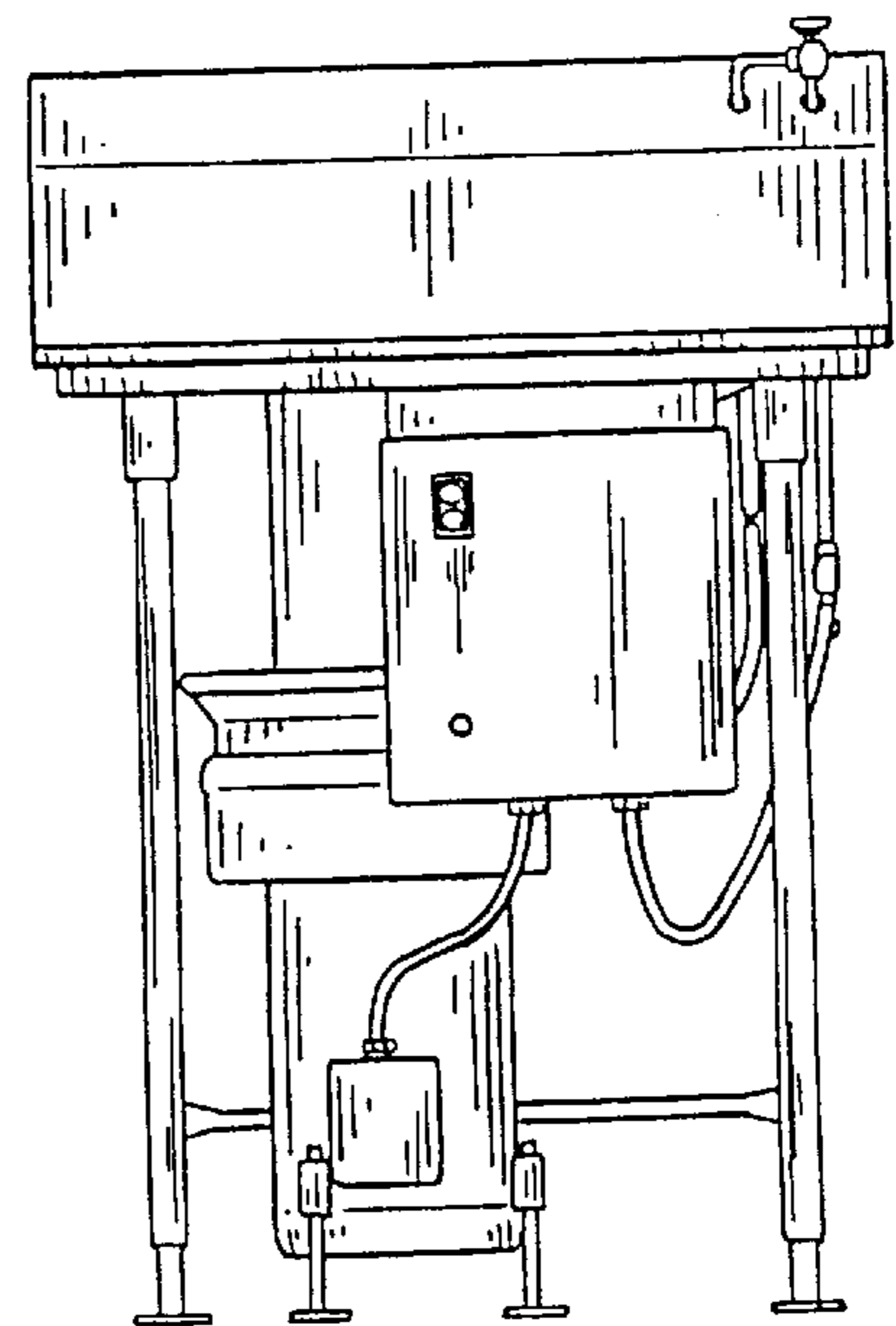


FIG. 3

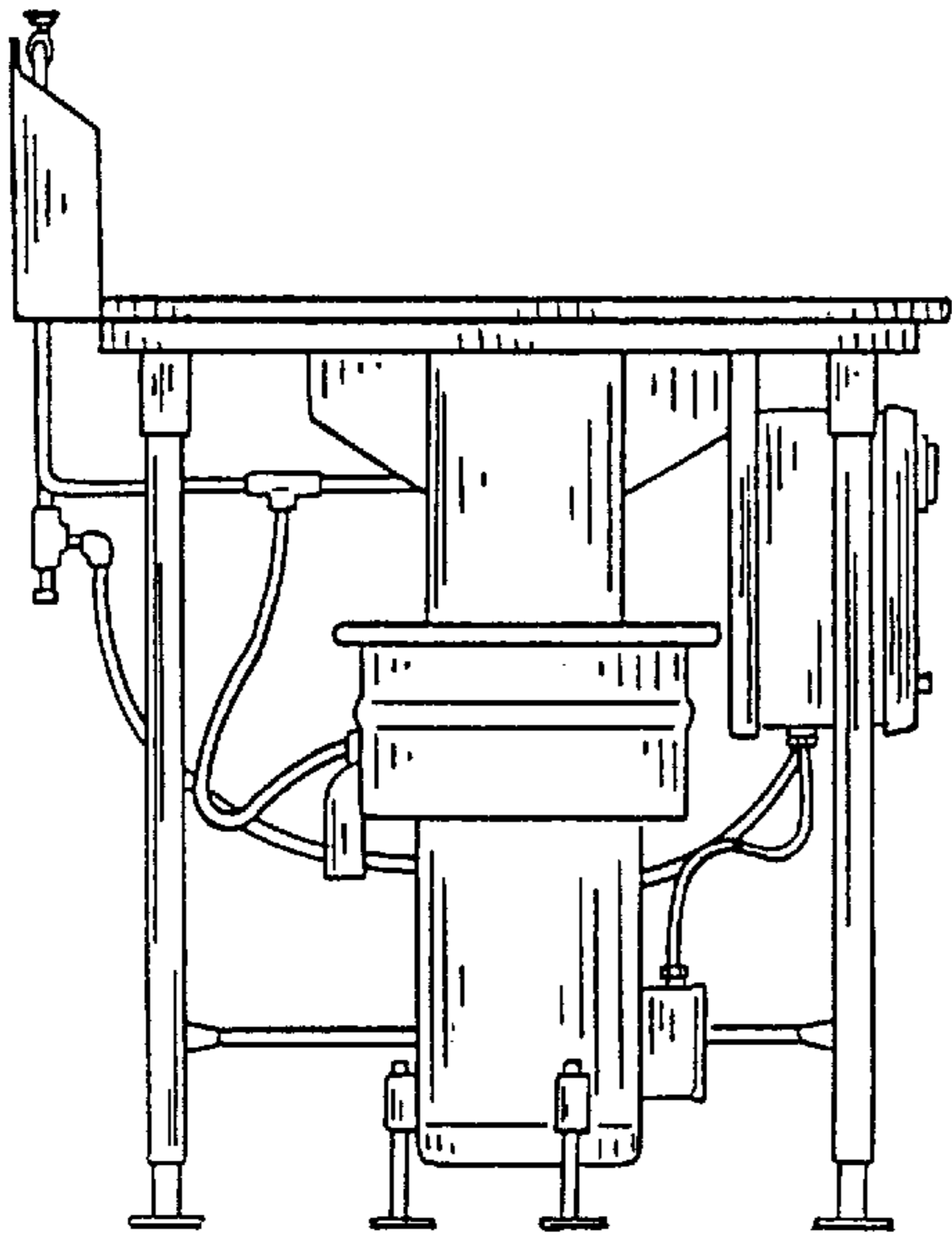


FIG. 4

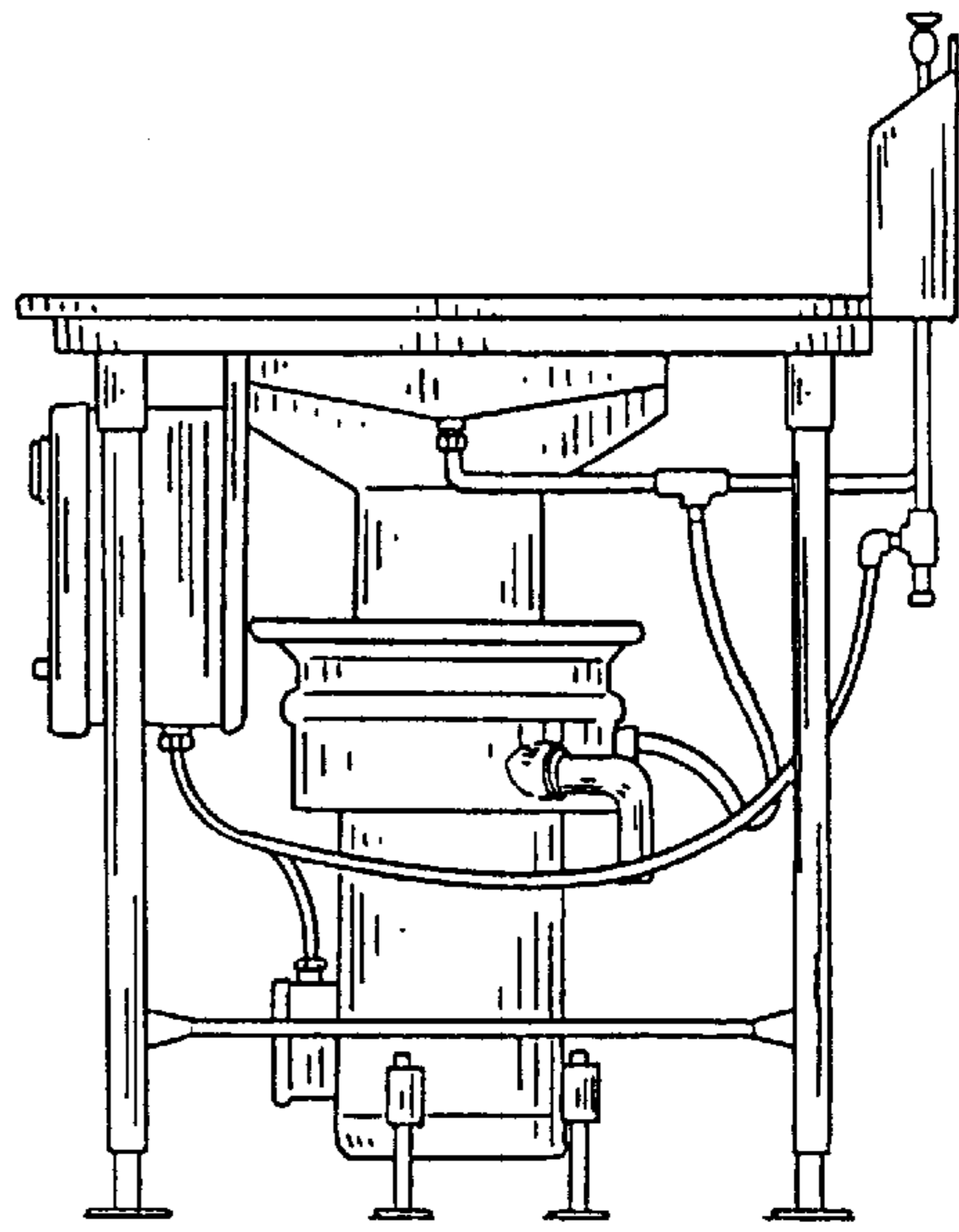


FIG. 5

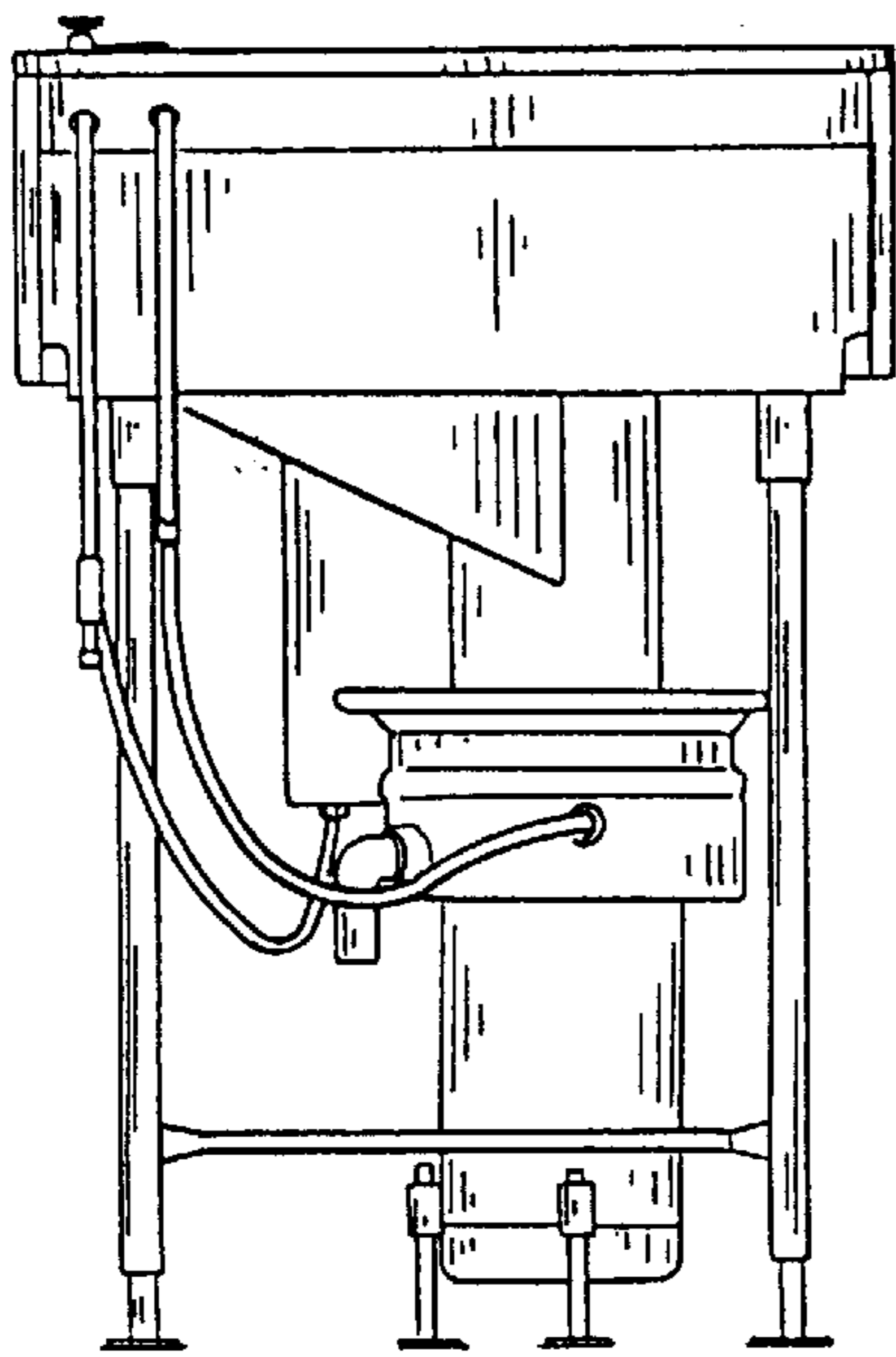


FIG. 6

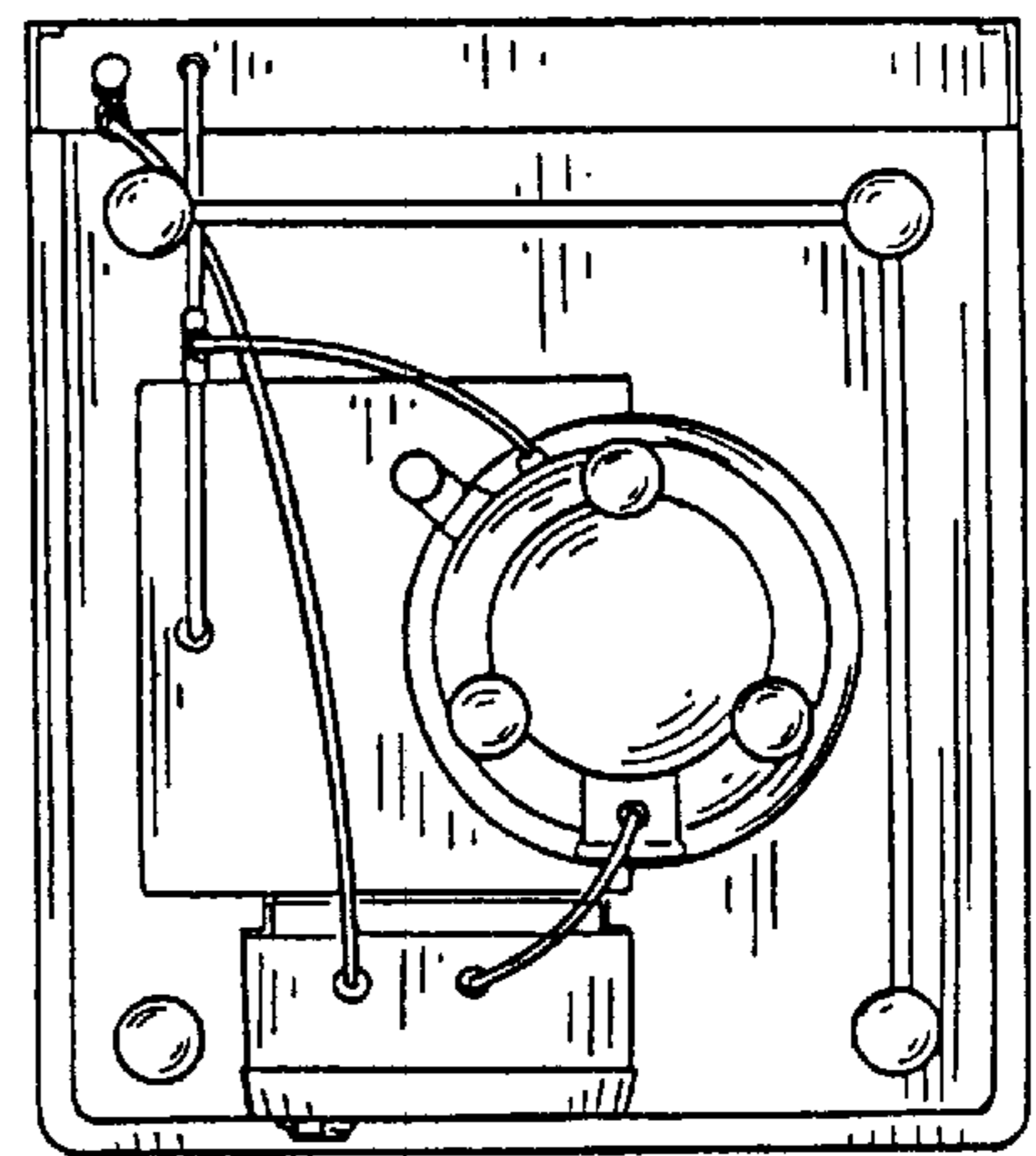


FIG. 7