



US00D398311S

United States Patent [19] Smith

[11] Patent Number: Des. 398,311

[45] Date of Patent: **Sep. 15, 1998

[54] RIDING MOWER

4,787,646 11/1988 Kamlukin et al. 56/15.8
4,930,298 6/1990 Zenner 56/320.1

[75] Inventor: Kenneth R. Smith, Medina, Ohio

OTHER PUBLICATIONS

[73] Assignee: MTD Products Inc., Cleveland, Ohio

John Deere Riding Mowers Catalog, p. 3, mower SRZ75, Nov. 1990.

[**] Term: 14 Years

Sears Washington Post Insert, p. 23A-1, Apr. 20, 1994.

[21] Appl. No.: 71,118

Primary Examiner—Sandra L. Morris

[22] Filed: May 21, 1997

Attorney, Agent, or Firm—Emerson & Associates; Roger D. Emerson; Timothy D. Bennett

[51] LOC (6) Cl. 15-03

[57] CLAIM

[52] U.S. Cl. D15/15

The ornamental design for a riding mower, as shown.

[58] Field of Search D15/10, 14-18,
D15/22, 23; 56/12.1, 12.7, 12.8, 13.4, 13.7,
15.8, 16.7, 17.1, 17.5, 202, 255, 320.1-320.2

DESCRIPTION

[56] References Cited

FIG. 1 is a right side perspective view of a riding mower, showing my new design;

FIG. 2 is a top plan view thereof;

FIG. 3 is a front view thereof;

FIG. 4 is a rear view thereof;

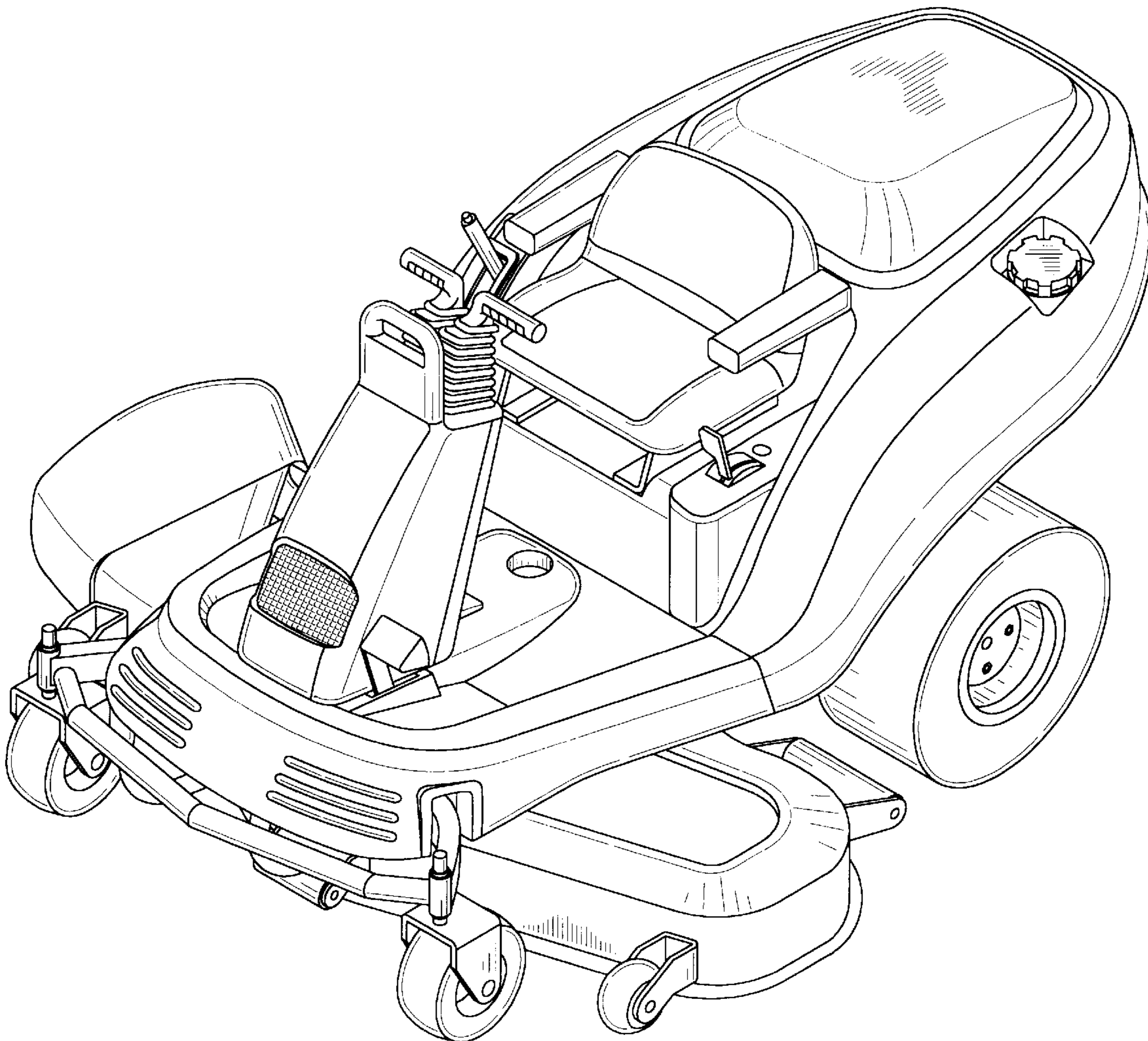
FIG. 5 is a right side elevational view thereof; and,

FIG. 6 is a left side elevational view thereof.

U.S. PATENT DOCUMENTS

D. 249,267	9/1978	Brackin et al.	D15/15
D. 271,020	10/1983	Malmberg et al.	D15/15
D. 311,742	10/1990	Splittstoesser	D15/15
D. 340,936	11/1993	Matsuda et al.	D15/15
D. 363,495	10/1995	Good et al.	D15/15

1 Claim, 5 Drawing Sheets



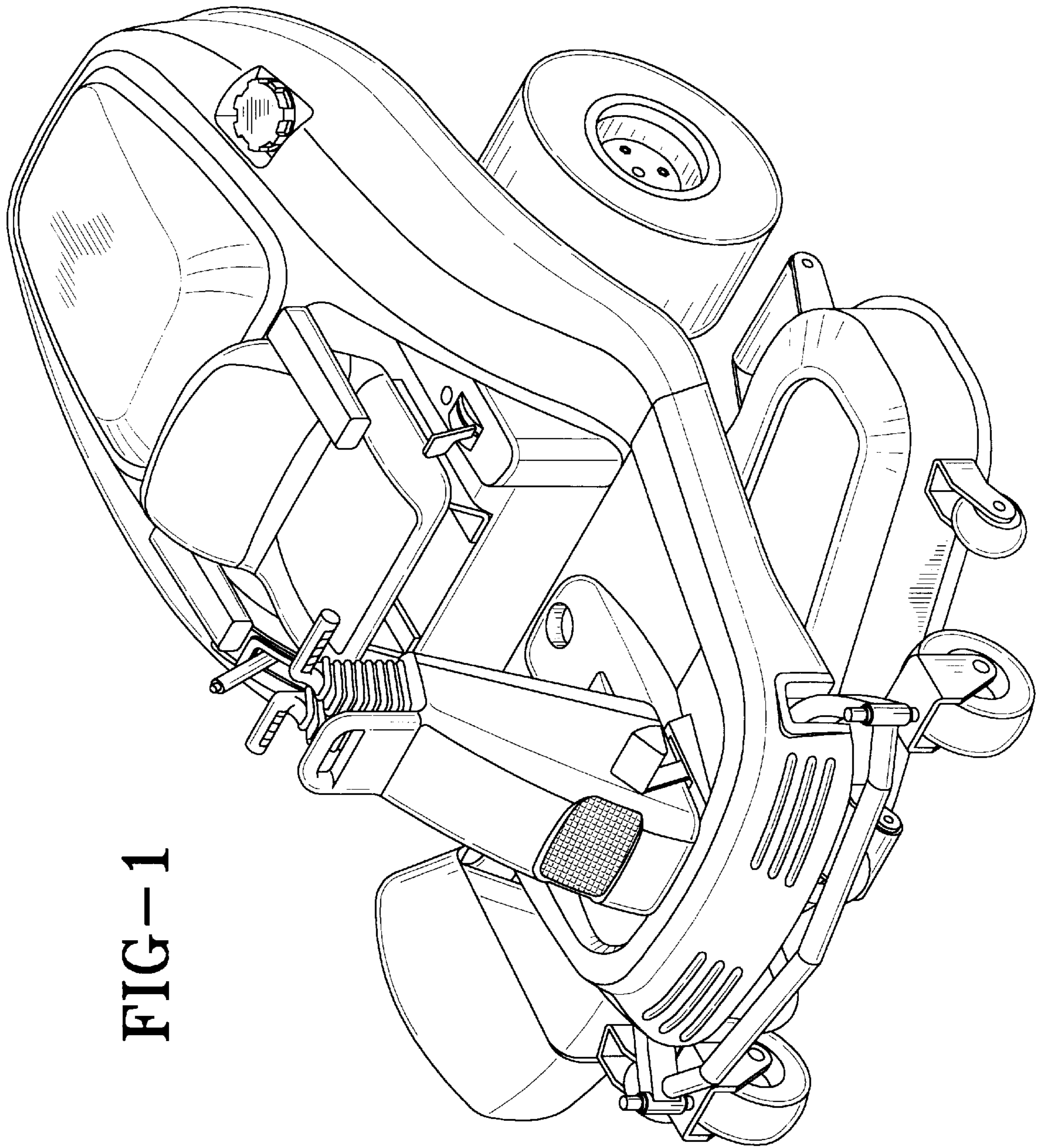


FIG-1

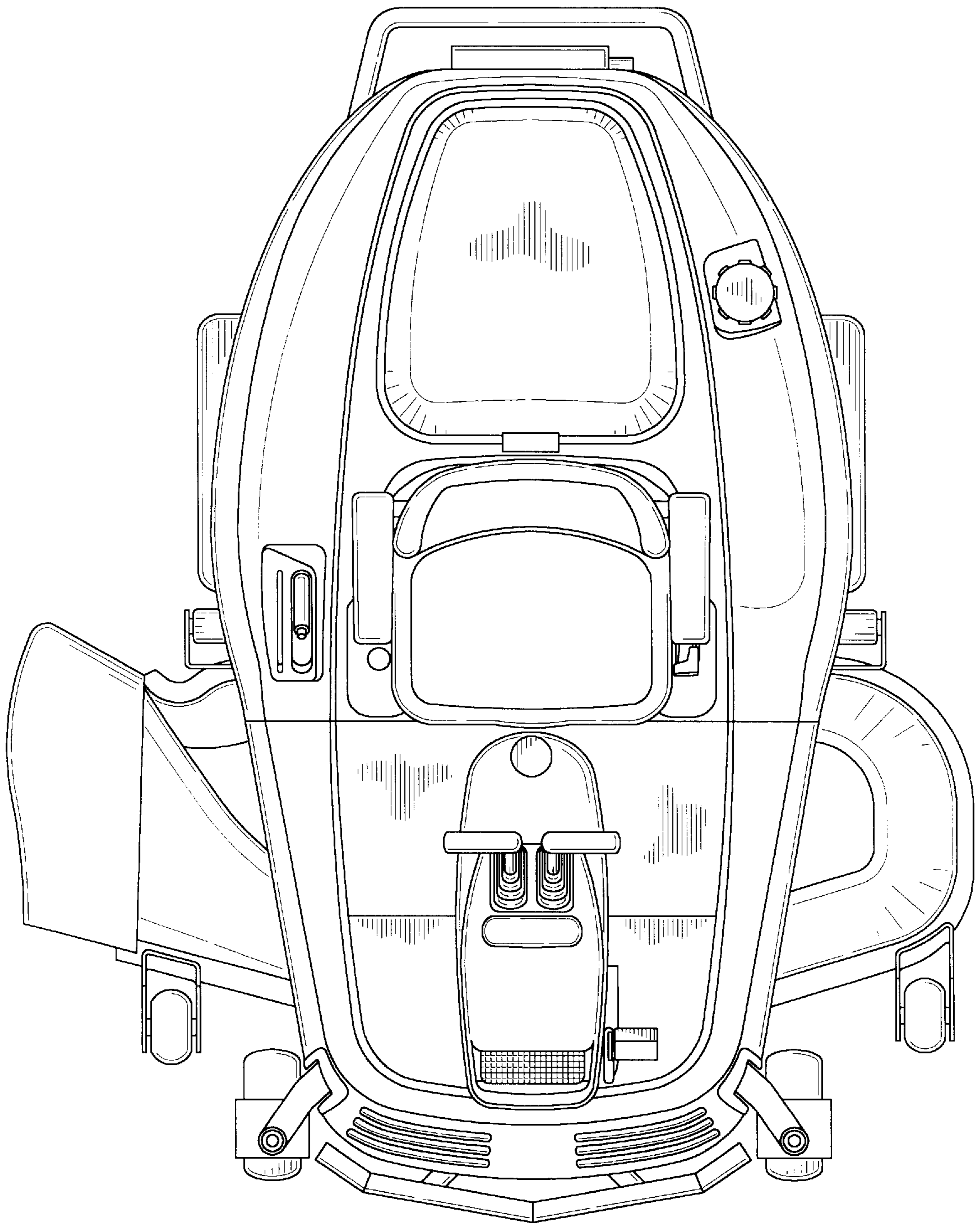


FIG-2

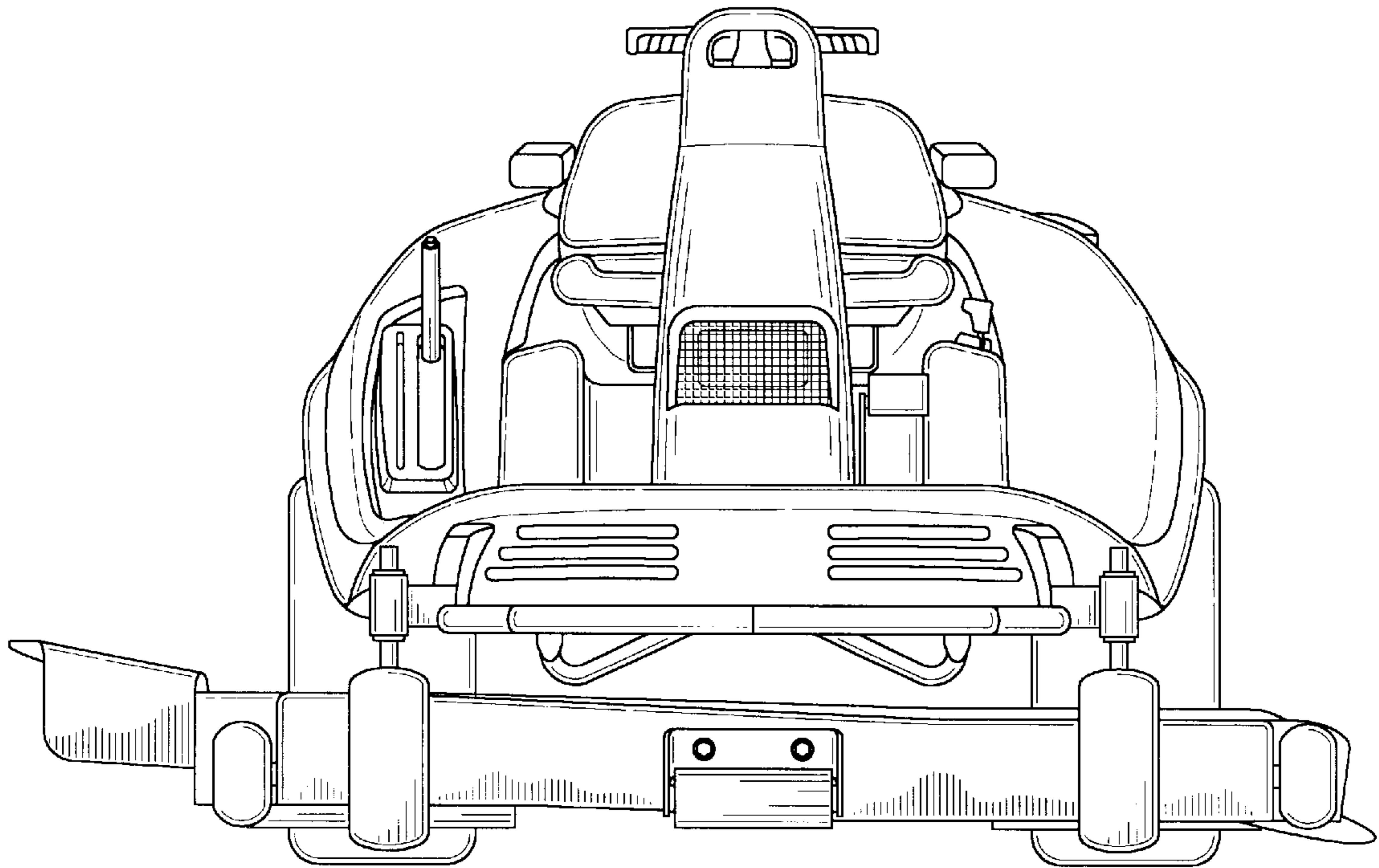


FIG-3

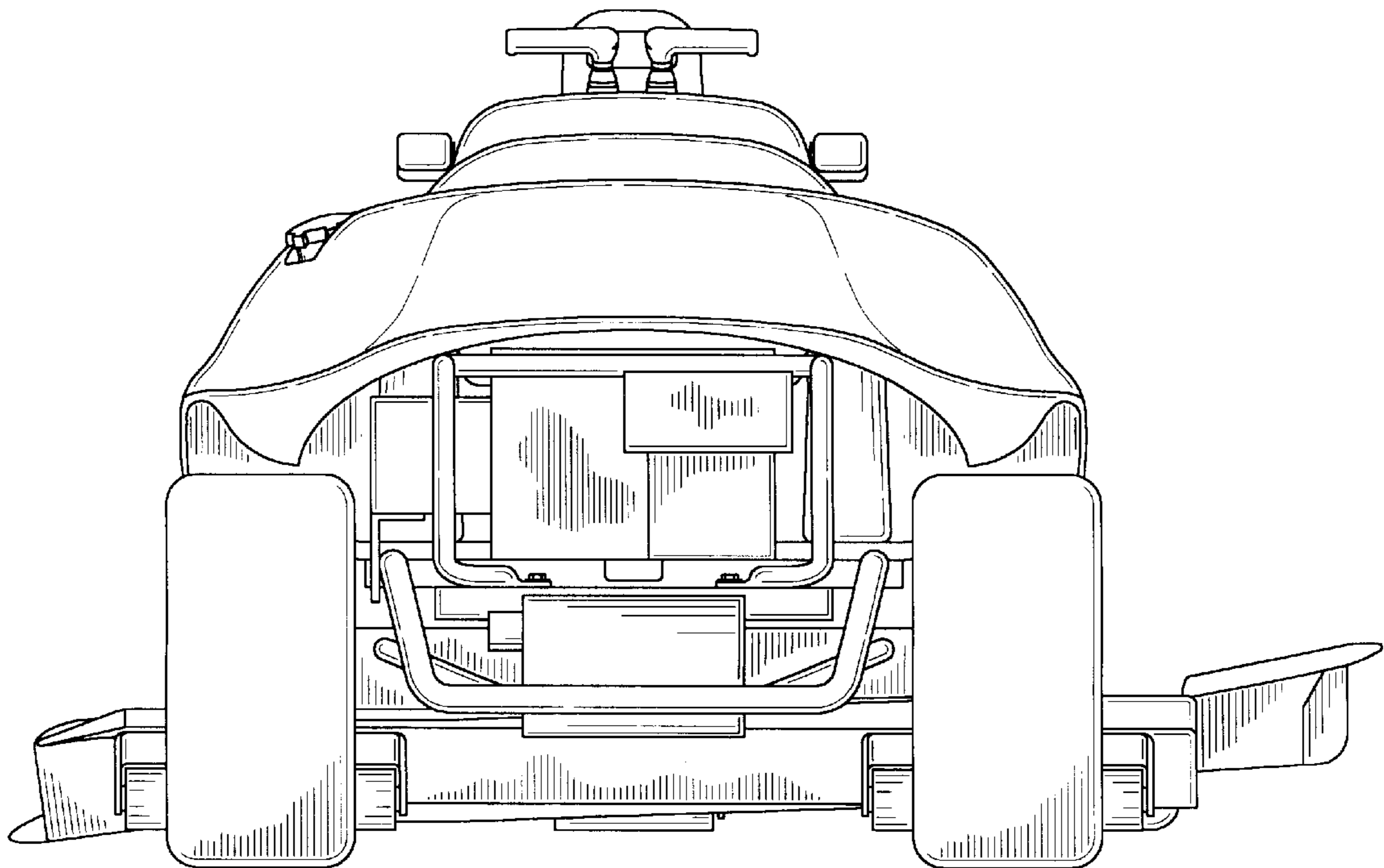


FIG-4

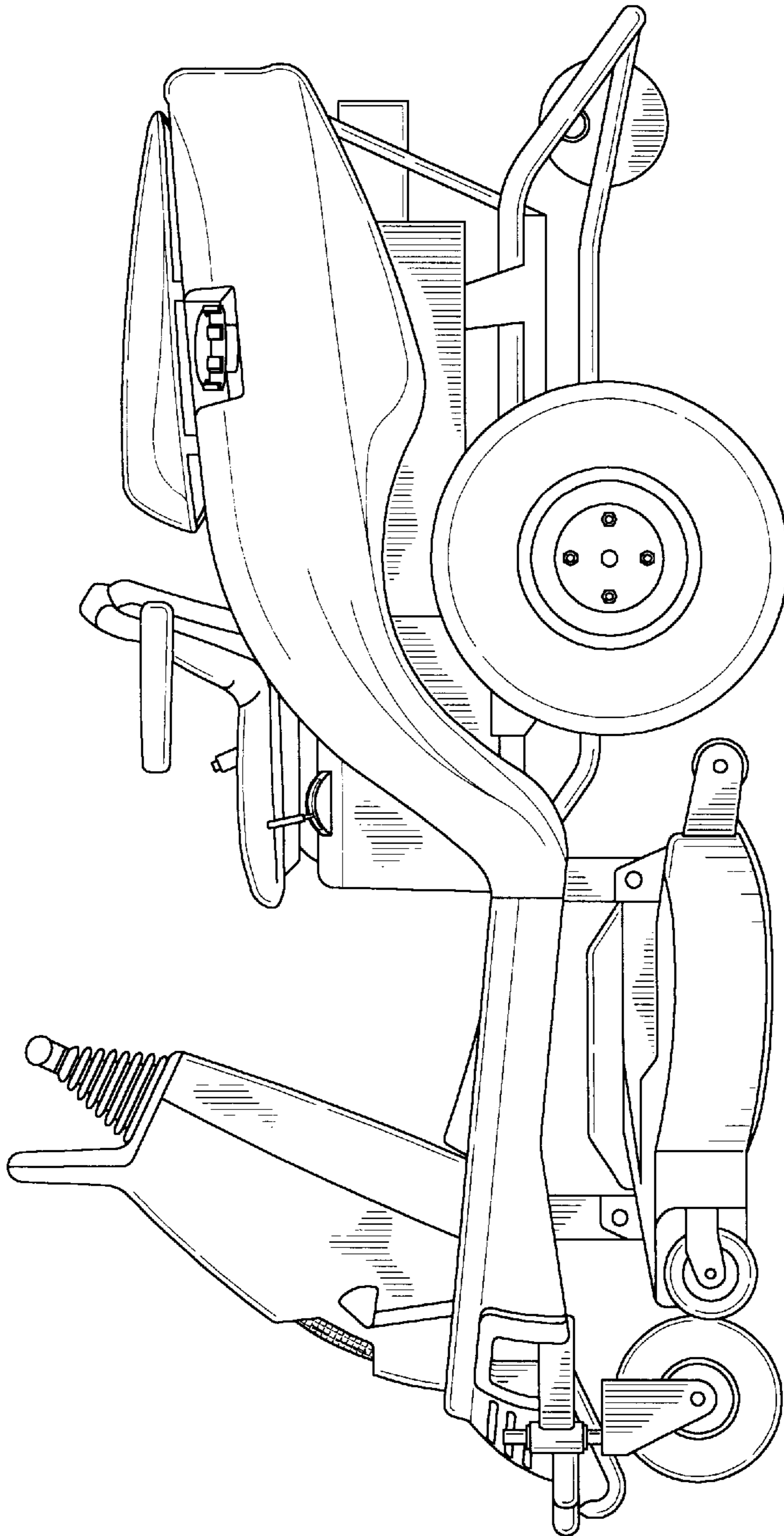


FIG-5

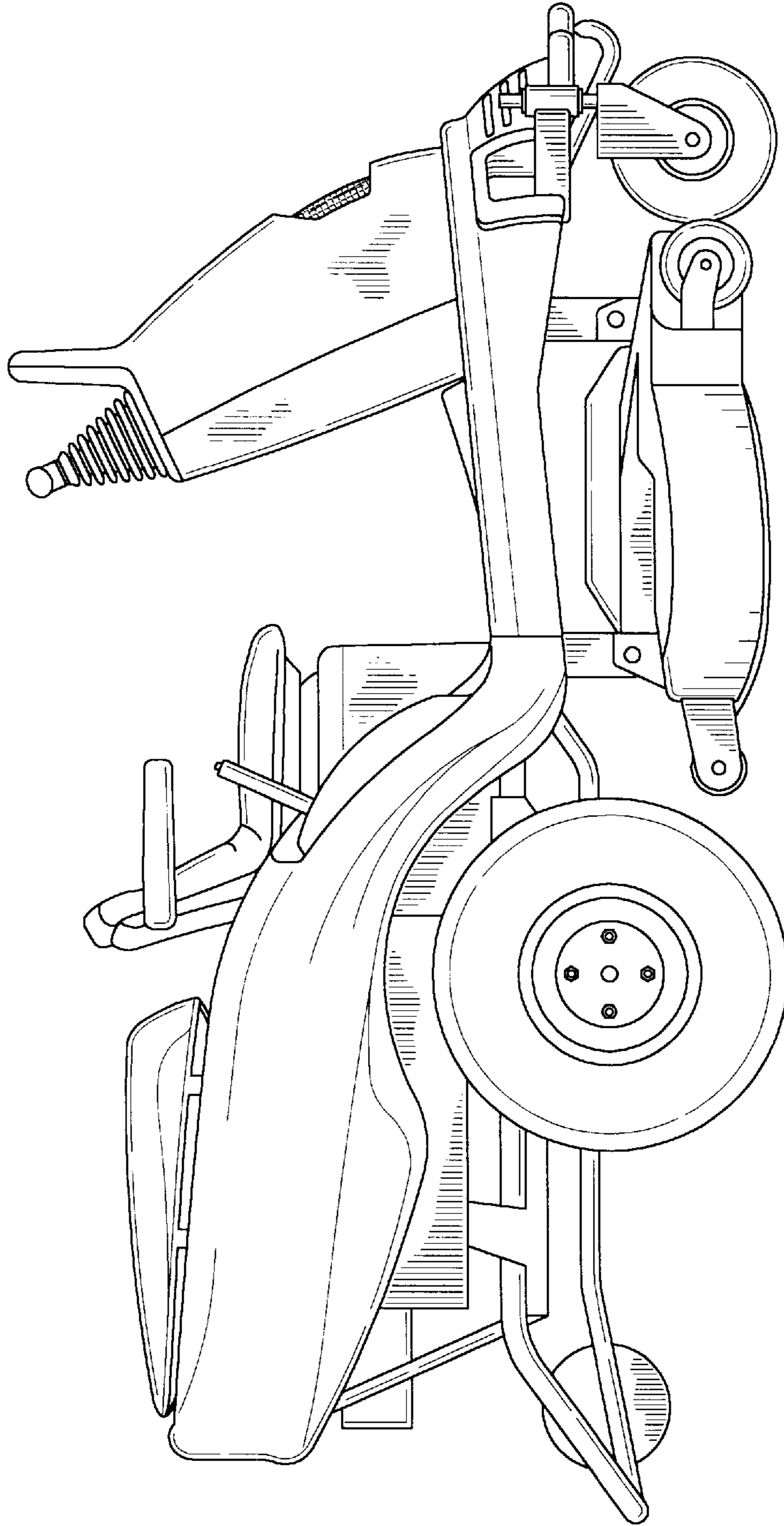


FIG-6