



US00D398296S

# United States Patent [19]

[11] **Patent Number: Des. 398,296**

**Currin et al.**

[45] **Date of Patent: \*\*Sep. 15, 1998**

[54] **COMPUTER STORAGE DEVICE MOUNTING BRACKET**

[76] Inventors: **Paul Thomas Currin**, 7433 Singing Hills Ct., Boulder, Colo. 80301; **Jason Jeffrey Krause**, 18294 W. 58th Pl. #14, Golden, Colo. 80403; **Robert John Schaefer**, 530 S. 45th St., Boulder, Colo. 80303

[\*\*] Term: **14 Years**

[21] Appl. No.: **63,041**

[22] Filed: **Nov. 22, 1996**

[51] **LOC (6) Cl. .... 14-02**

[52] **U.S. Cl. .... D14/114; D8/349**

[58] **Field of Search .... D14/100-117, D14/239; D18/12, 18; 248/281.11, 278.1, 280.11, 917-924, 442.2, 452; D8/349, 354, 373; 348/843; 312/7.2; 220/476**

[56] **References Cited**

**U.S. PATENT DOCUMENTS**

D. 312,631 12/1990 Schorr et al. .... D14/114  
5,639,060 6/1997 Spoons et al. .... 248/918

*Primary Examiner*—Kay H. Chin  
*Attorney, Agent, or Firm*—Lee, Fishman & Isaac; Daniel N. Fishman; John L. Isaac

[57] **CLAIM**

The ornamental design for a computer storage device mounting bracket, as shown and described.

**DESCRIPTION**

FIG. 1 is a front, top and left side perspective view of a computer storage device mounting bracket showing our new design;

FIG. 2 is a front elevational view thereof;

FIG. 3 is a rear elevational view thereof;

FIG. 4 is a right side elevational view thereof;

FIG. 5 is a left side elevational view thereof;

FIG. 6 is a top plan view thereof;

FIG. 7 is a bottom plan view thereof;

FIG. 8 is a front view of a second embodiment of the computer storage device mounting bracket;

FIG. 9 is a front view of a third embodiment of the computer storage device mounting bracket;

FIG. 10 is a front view of a fourth embodiment of the computer storage device mounting bracket; and,

FIG. 11 is a front view of a fifth embodiment of the computer storage device mounting bracket.

The sole difference among the first, second, third, fourth and fifth embodiment being in the different configuration of the front portion of the bracket.

**1 Claim, 7 Drawing Sheets**

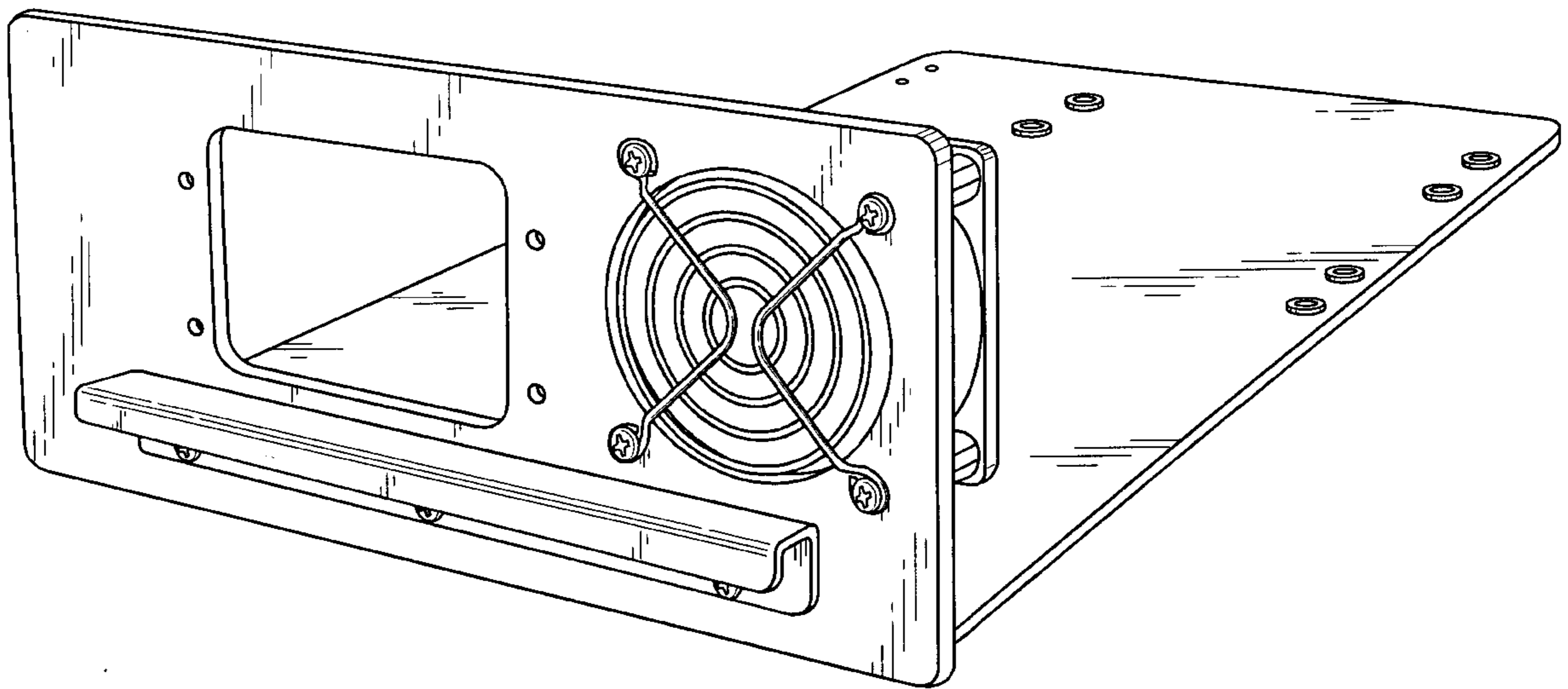
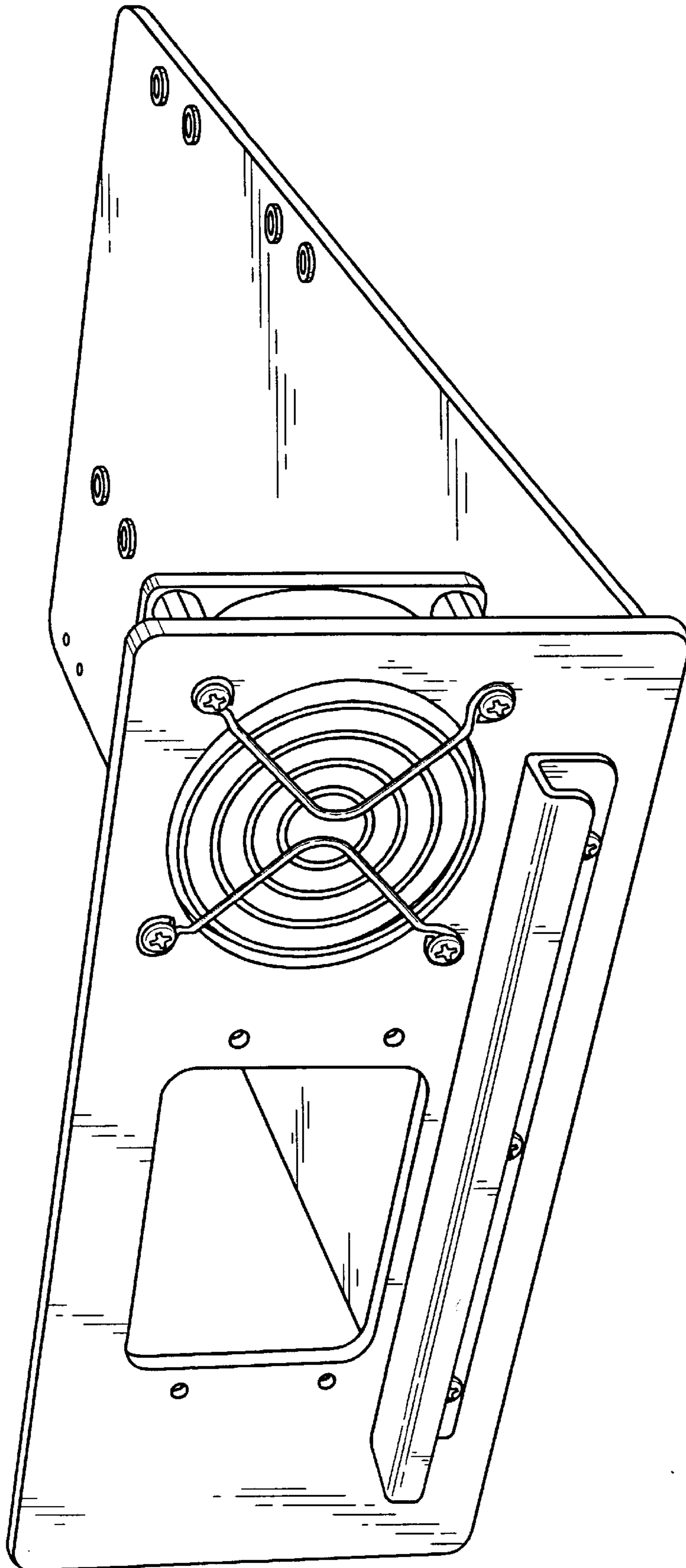
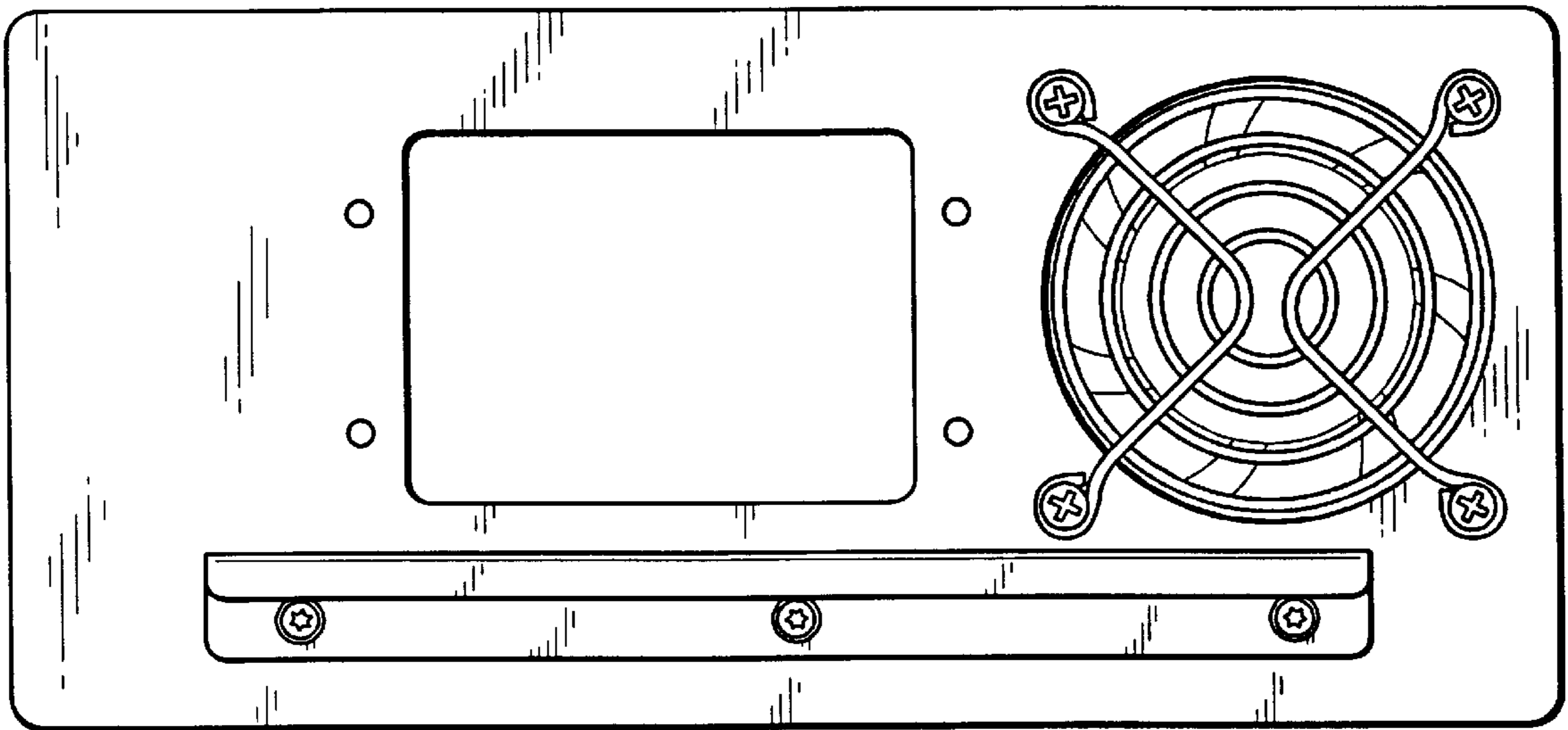


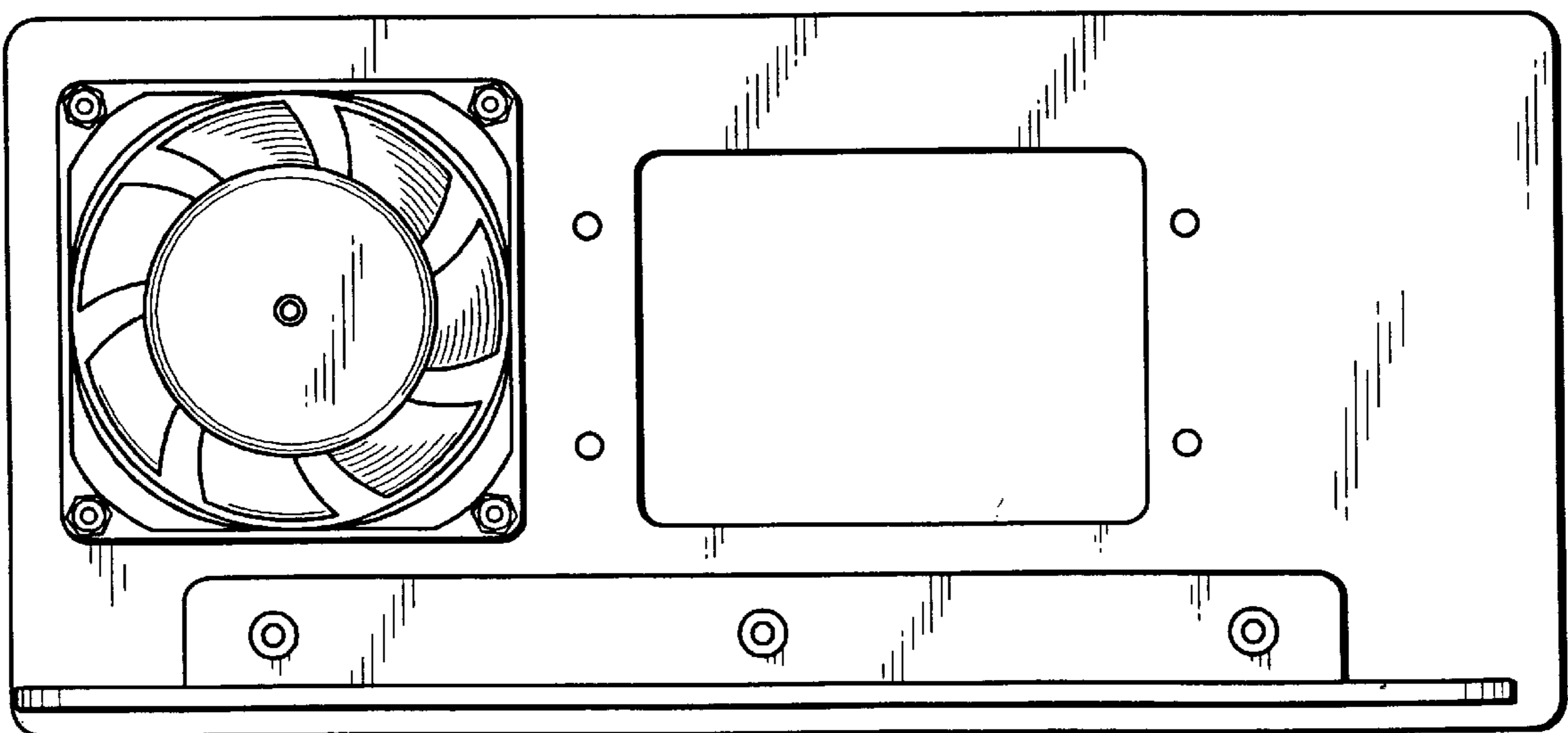
FIG. 1



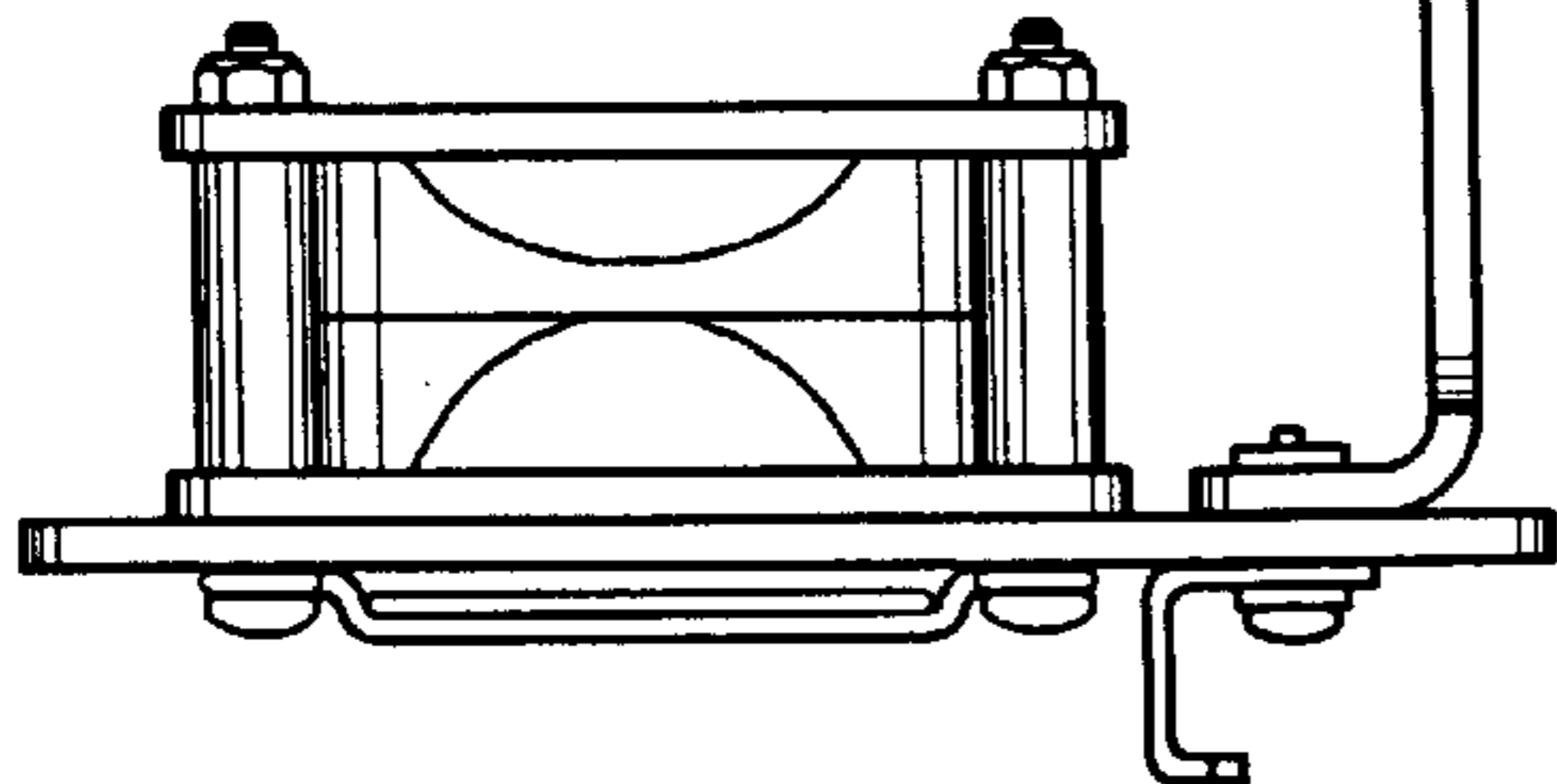
**FIG. 2**



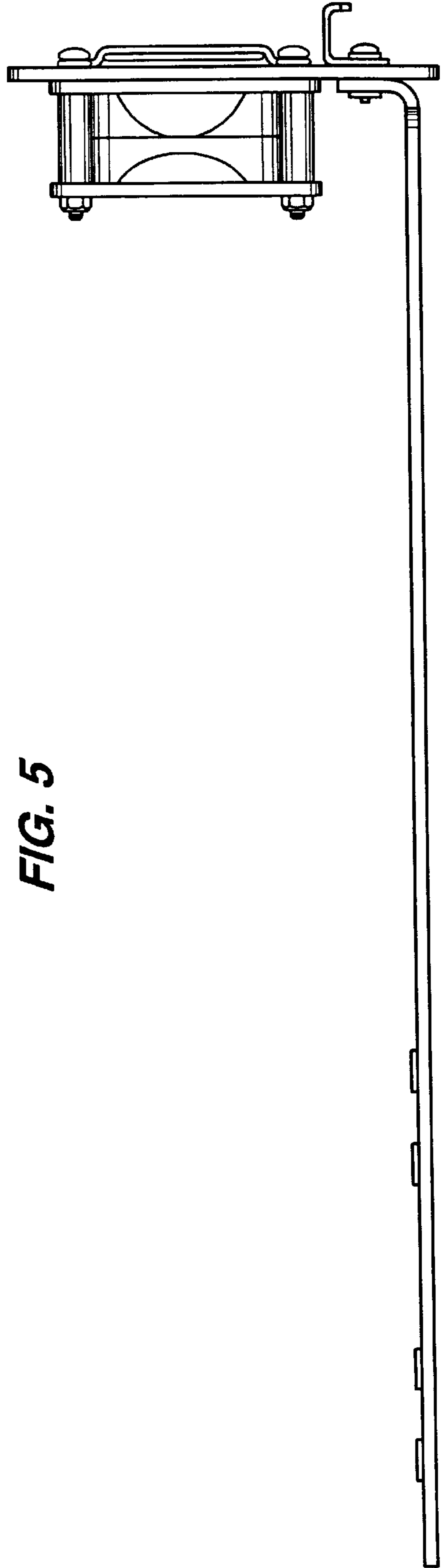
**FIG. 3**



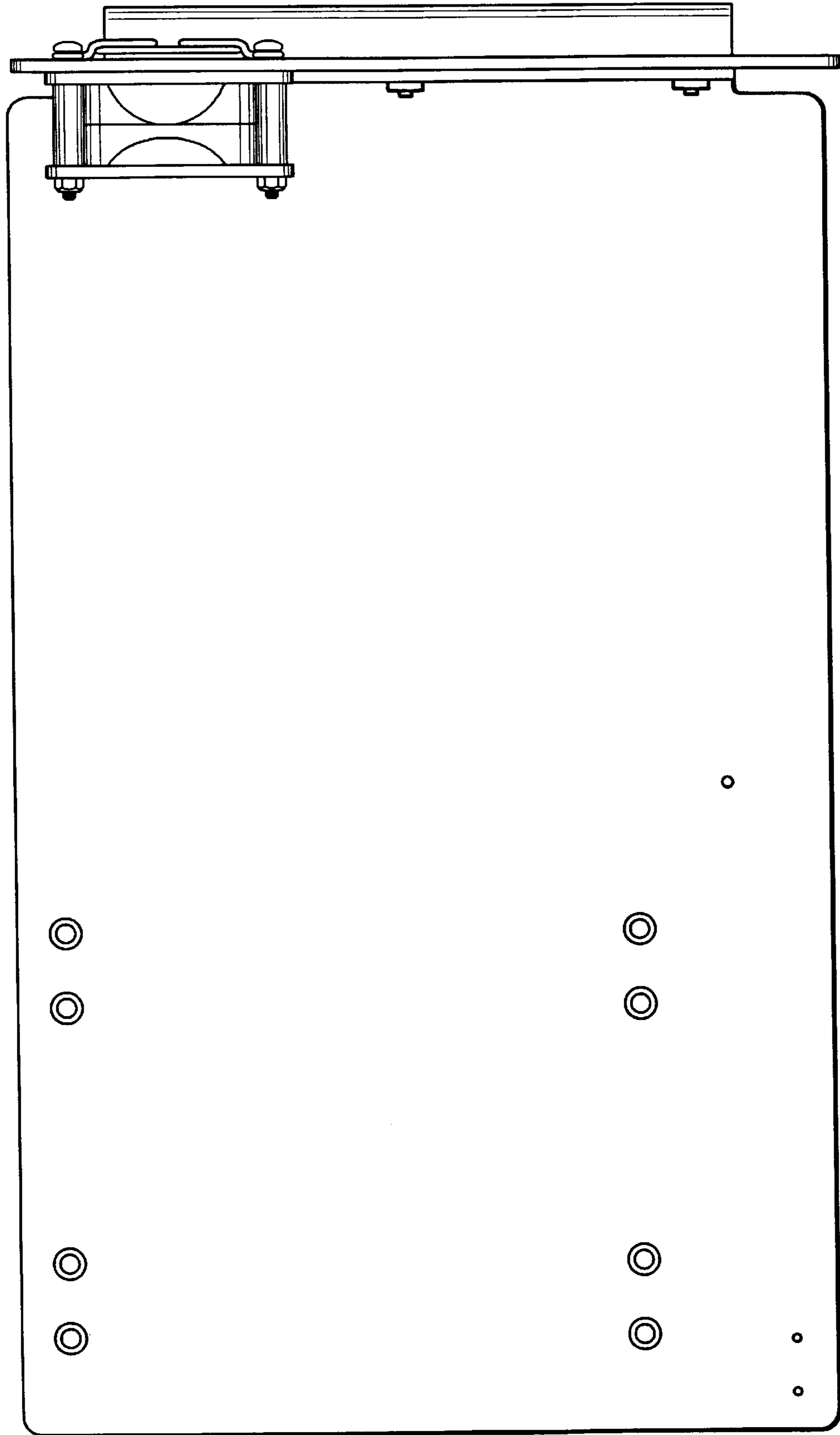
**FIG. 4**



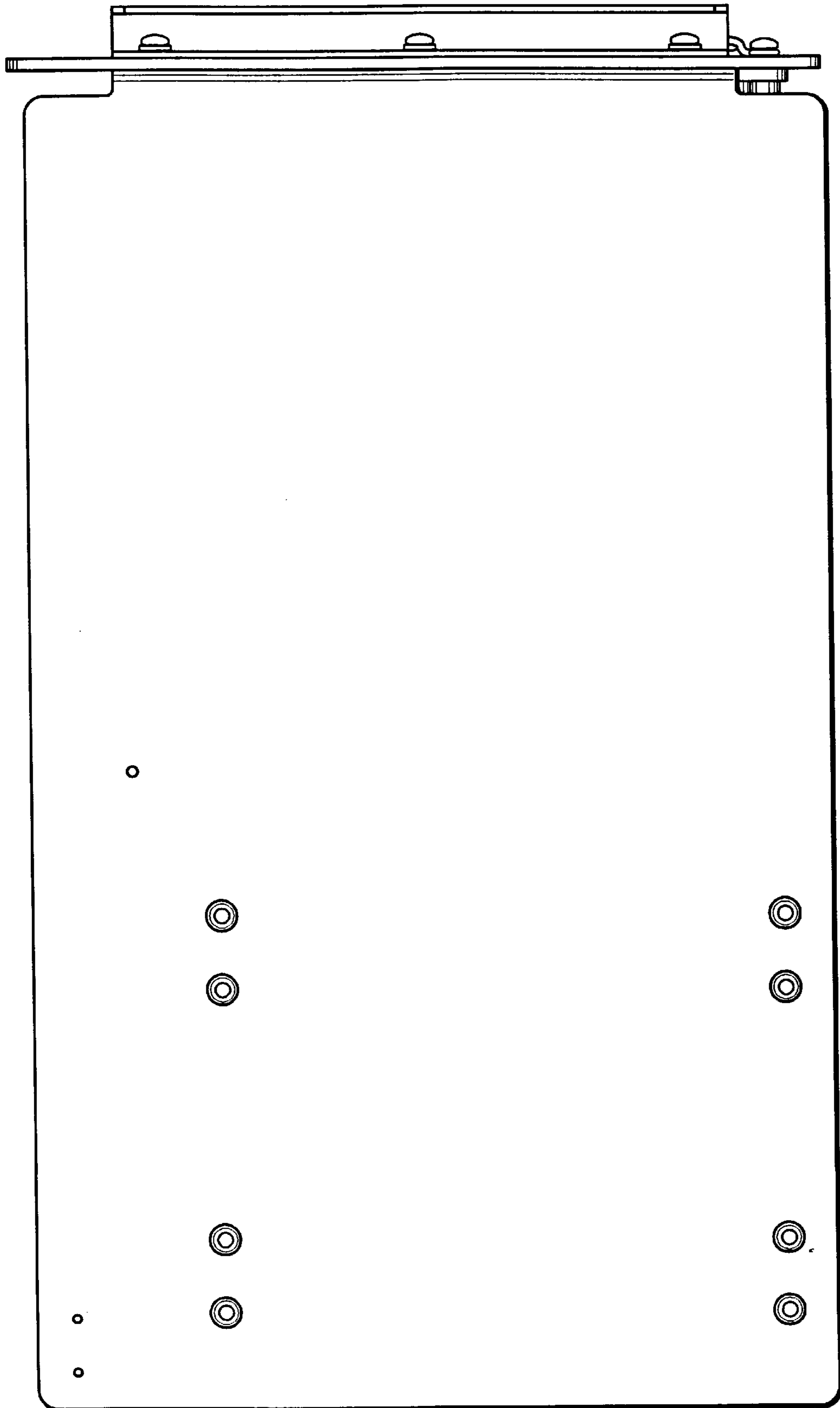
**FIG. 5**



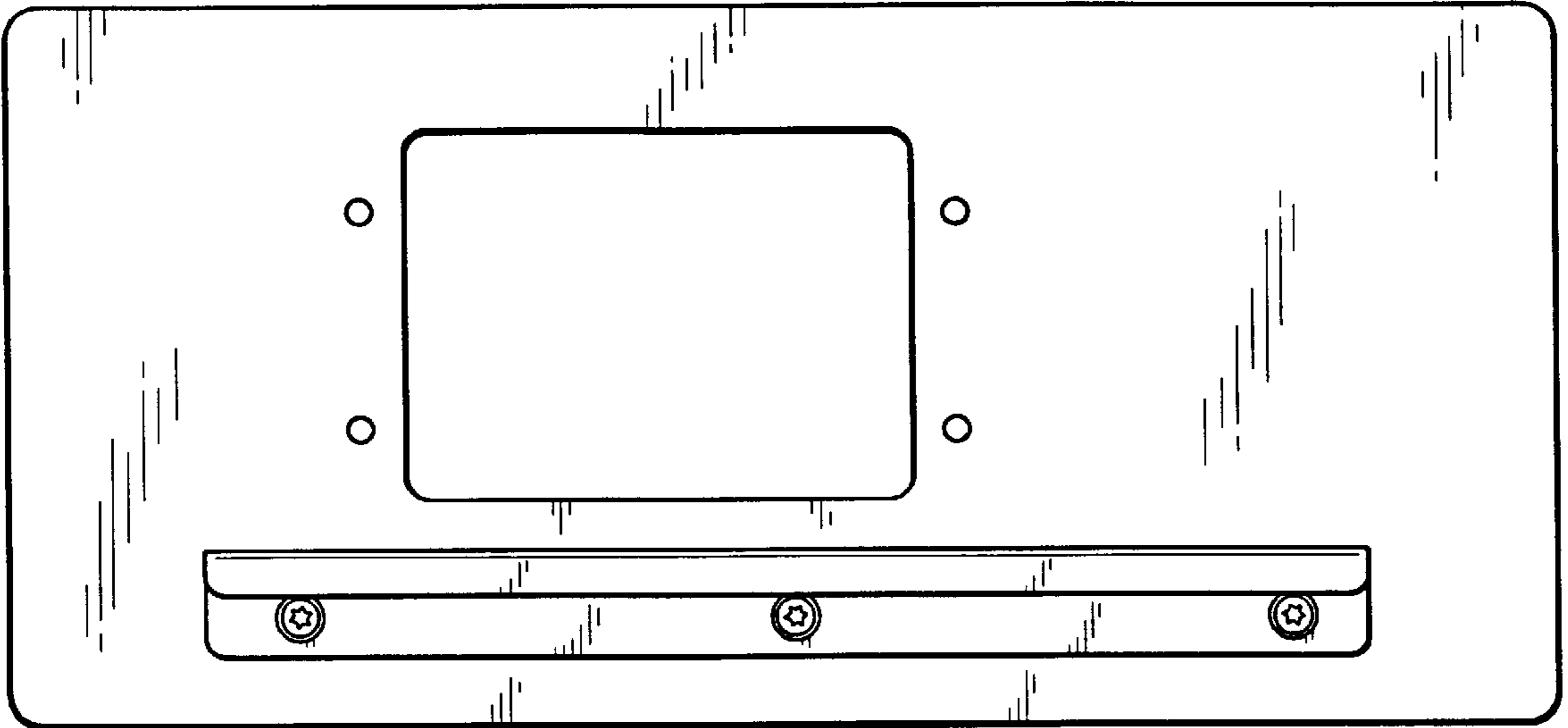
**FIG. 6**



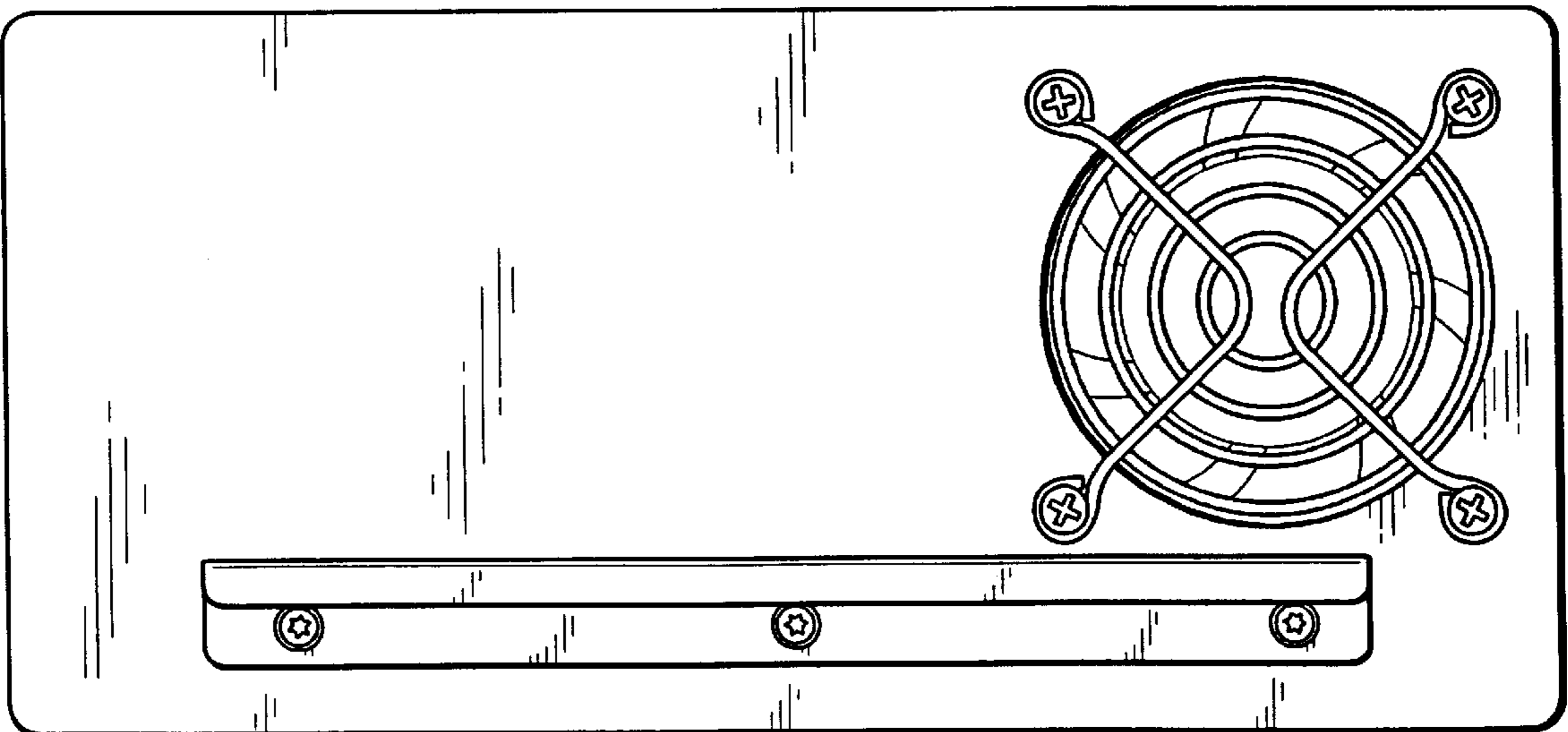
**FIG. 7**



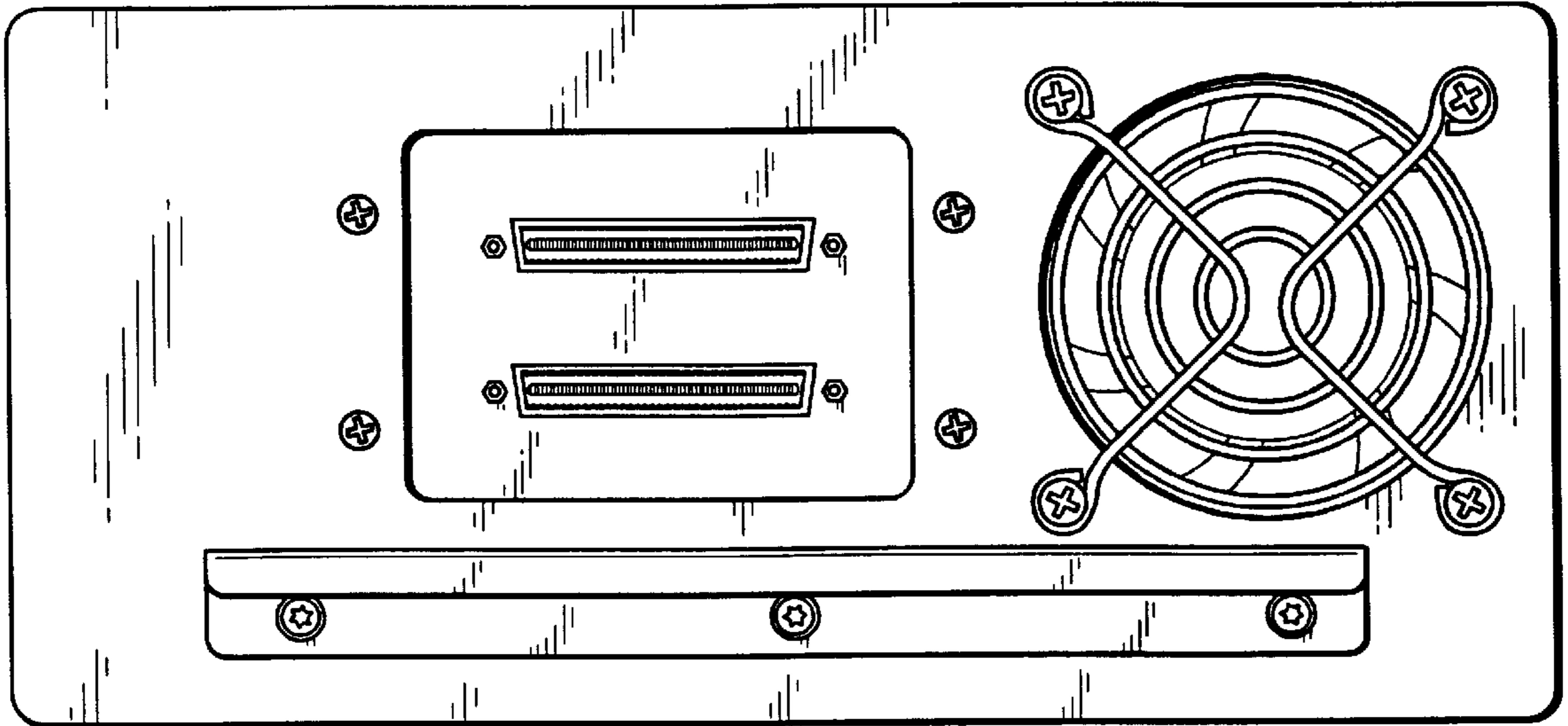
**FIG. 8**



**FIG. 9**



**FIG. 10**



**FIG. 11**

