



US00D398294S

# United States Patent [19] Wilson

[11] Patent Number: **Des. 398,294**

[45] Date of Patent: **\*\*\*Sep. 15, 1998**

[54] **RETRACTABLE MOUSE PAD WITH BEADS**

[76] Inventor: **Ronal E. Wilson**, 403 Tiffany Trail,  
Richardson, Tex. 75081

[\*] Notice: The portion of the term of this patent  
subsequent to Mar. 31, 2012, has been  
disclaimed.

[\*\*] Term: **14 Years**

[21] Appl. No.: **59,130**

[22] Filed: **Aug. 22, 1996**

### Related U.S. Application Data

[63] Continuation-in-part of Ser. No. 45,428, Oct. 19, 1995, and  
Ser. No. 48,968, Jan. 16, 1996, Pat. No. Des. 380,462.

[51] **LOC (6) Cl.** ..... **14-02**

[52] **U.S. Cl.** ..... **D14/114**

[58] **Field of Search** ..... D14/100, 114;  
D6/582-94, 406, 420, 509, 511, 436, 430;  
D20/22; 248/118.1, 917-24; 345/156-67;  
400/698-93, 715

### [56] References Cited

#### U.S. PATENT DOCUMENTS

D. 291,204	8/1987	Hampshire et al. ....	D14/114
D. 302,425	7/1989	LaBudde et al. ....	D14/114
D. 333,300	2/1993	Hatcher .....	D14/114
D. 339,799	9/1993	Allen .....	D14/114
D. 361,325	8/1995	Massey .....	D14/114
D. 361,326	8/1995	Schriner .....	D14/114
D. 361,556	8/1995	Moro et al. ....	D14/114
D. 364,397	11/1995	Bedol .....	D14/114
D. 367,387	2/1996	Sweere .....	D14/114 X
D. 367,475	2/1996	Koch .....	D14/114
4,595,993	6/1986	Yao .....	364/708

5,182,698	1/1993	Kobayashi et al. ....	361/395
5,287,246	2/1994	Sen .....	361/683
5,339,213	8/1994	O'Callaghan .....	361/683
5,433,407	7/1995	Rice .....	248/118

### FOREIGN PATENT DOCUMENTS

2224005	9/1990	Japan .
5257570	10/1993	Japan .
6161602	6/1994	Japan .

*Primary Examiner*—M. H. Tung  
*Attorney, Agent, or Firm*—Robert Jelks Ward

### [57] CLAIM

The ornamental design for a retractable mouse pad with beads, as shown and described.

### DESCRIPTION

FIG. 1 is a perspective view taken from the top, front, and right side of a retractable mouse pad with beads showing my new design, the retractable mouse pad portion is shown partially extended, and the broken line drawings of part of a computer and a mouse are for illustrative purposes only and form no part of the claimed design;

FIG. 2 is a top plan view thereof;

FIG. 3 is a front elevational view thereof, the rear elevational view is a mirror image;

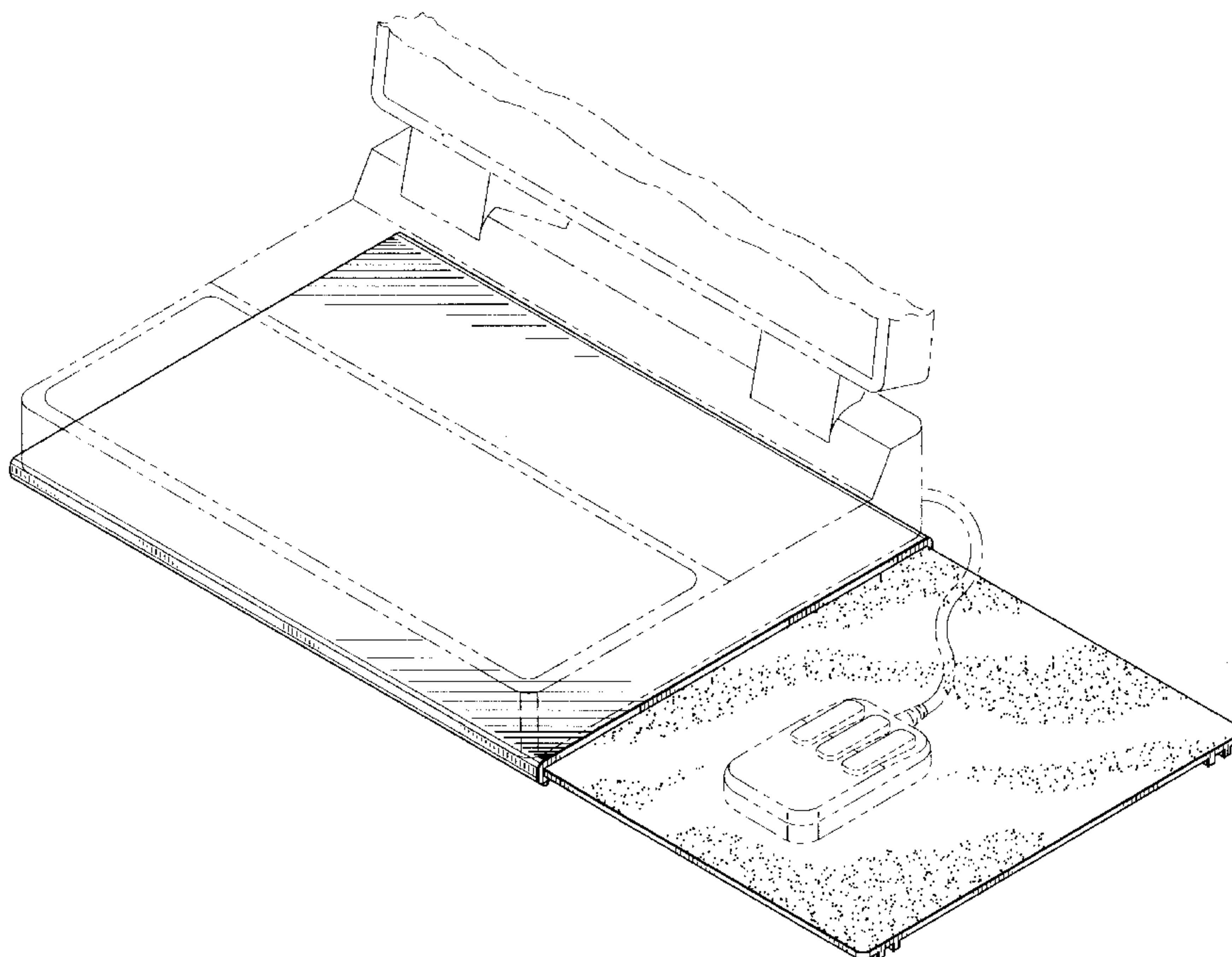
FIG. 4 is a right side elevational view thereof, the left side elevational view is a mirror image;

FIG. 5 is a bottom plan view thereof showing the retractable mouse pad portion partially extended; and,

FIG. 6 is a perspective view taken from the top, front, and right side of a retractable mouse pad with beads showing my new design.

The retractable mouse pad with beads in FIGS. 1, 2, 3, and 5 is shown in a partially extended position.

**1 Claim, 4 Drawing Sheets**



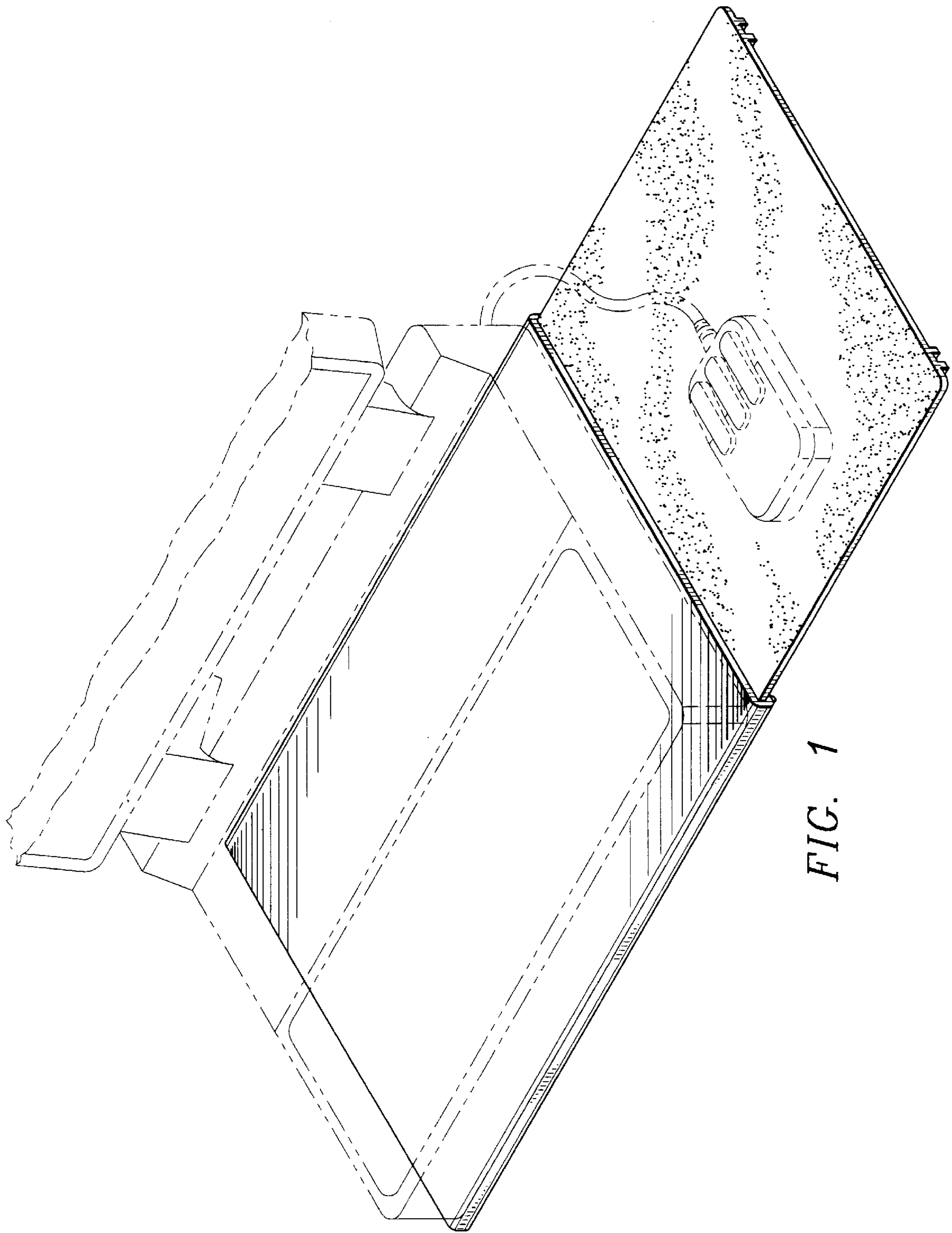


FIG. 1

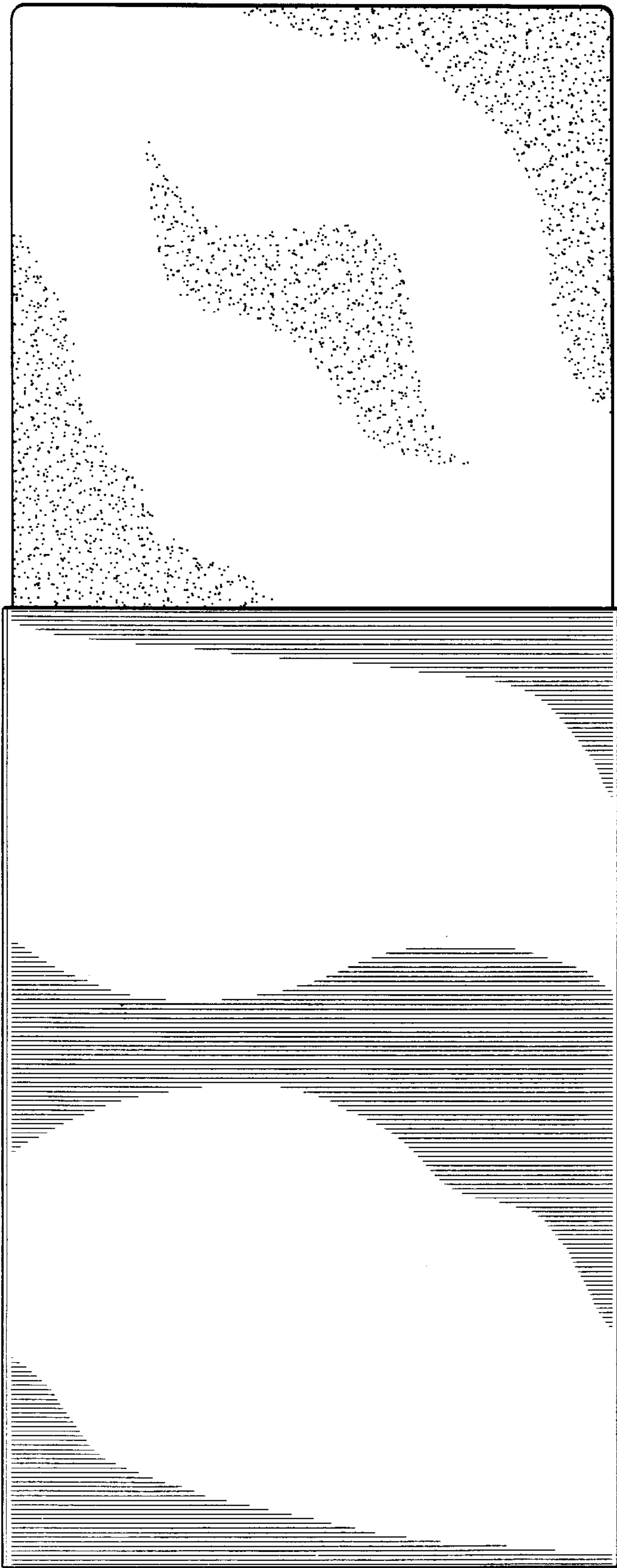


FIG. 2



FIG. 3



FIG. 4

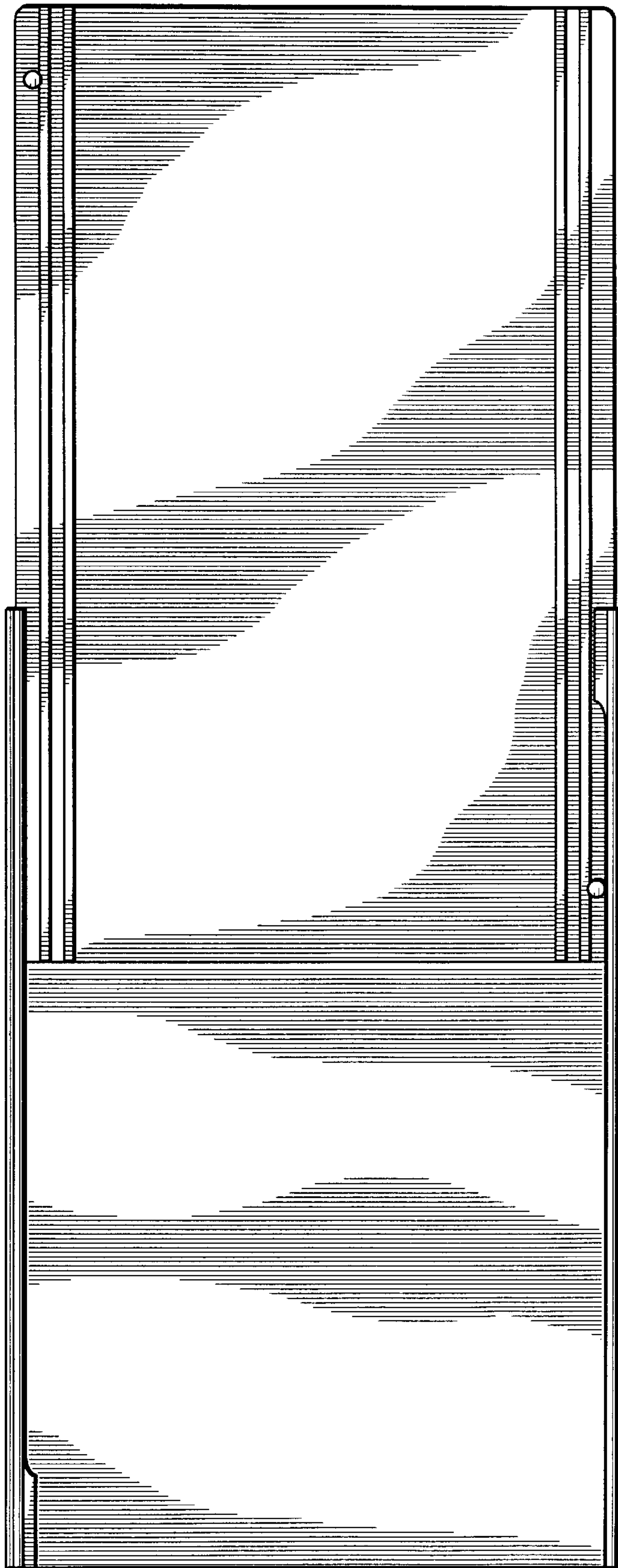


FIG. 5



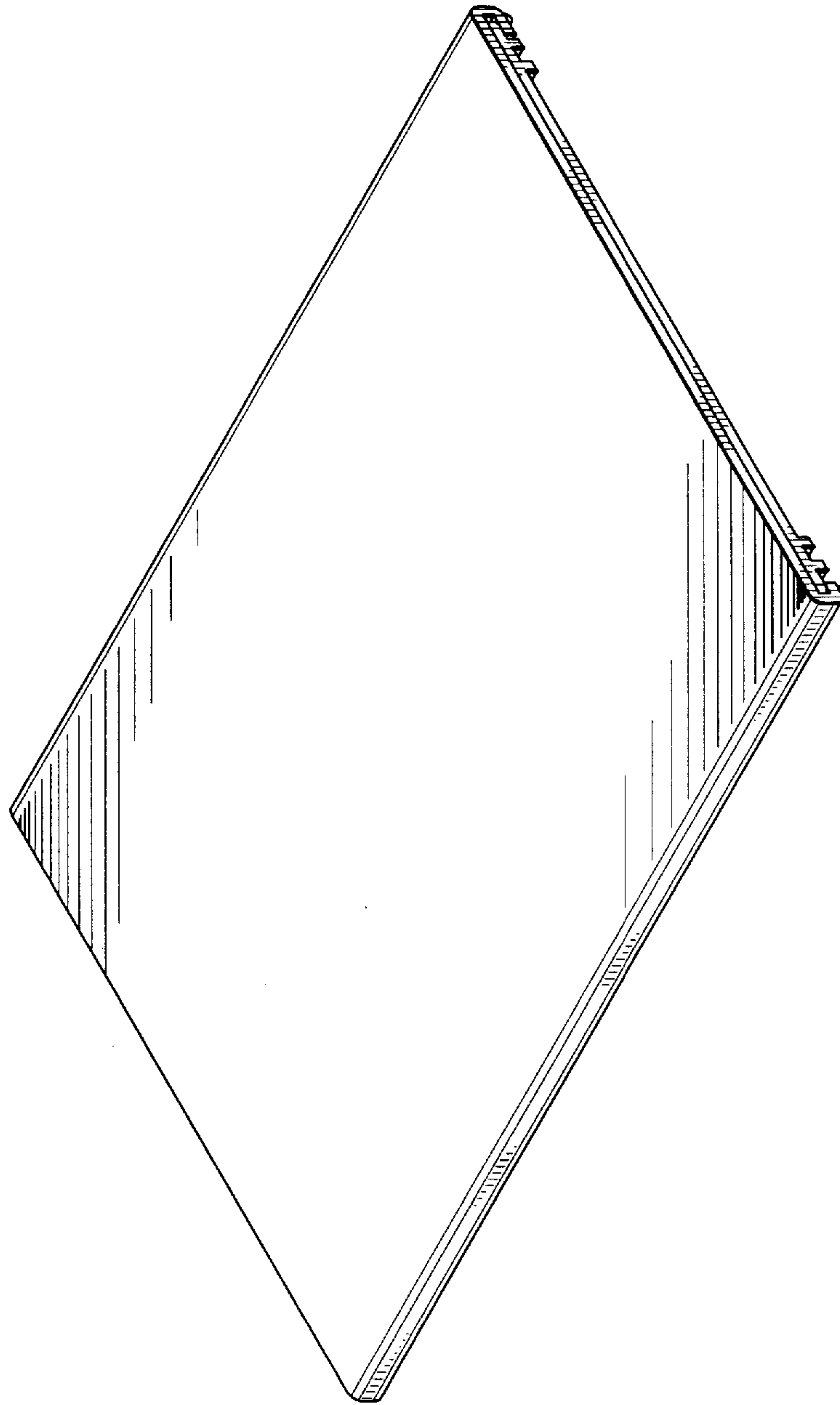


FIG. 6