



US00D398288S

United States Patent [19] Toly

[11] **Patent Number: Des. 398,288**

[45] **Date of Patent: **Sep. 15, 1998**

[54] **ELECTRICAL CONNECTOR WITH MOVABLE CAM**

5,645,440 7/1997 Tobler et al. 439/909 X

[76] Inventor: **Elde V. Toly**, 109 Bulkley Ave., Sausalito, Calif. 94965

Primary Examiner—Alan P. Douglas
Assistant Examiner—Lavone D. Tabor
Attorney, Agent, or Firm—Owen, Wickersham & Erickson, P.C.

[**] Term: **14 Years**

[57] CLAIM

[21] Appl. No.: **63,185**

The ornamental design for an electrical connector with movable cam, as shown and described.

[22] Filed: **Dec. 2, 1996**

DESCRIPTION

[51] **LOC (6) Cl.** **13-03**

[52] **U.S. Cl.** **D13/147**

[58] **Field of Search** D13/133, 146, D13/147; 439/106, 222, 596, 597, 600, 604, 606, 654, 655, 680, 687, 692, 696, 909; 600/372, 391

FIG. 1 is a view in perspective of an electrical connector with movable cam embodying my new design; FIG. 2 is a front elevational view thereof; FIG. 3 is a right side elevational view thereof; FIG. 4 is a rear elevational view thereof; FIG. 5 is a left side elevational view thereof; FIG. 6 is a top plan view thereof; and, FIG. 7 is a bottom plan view thereof.

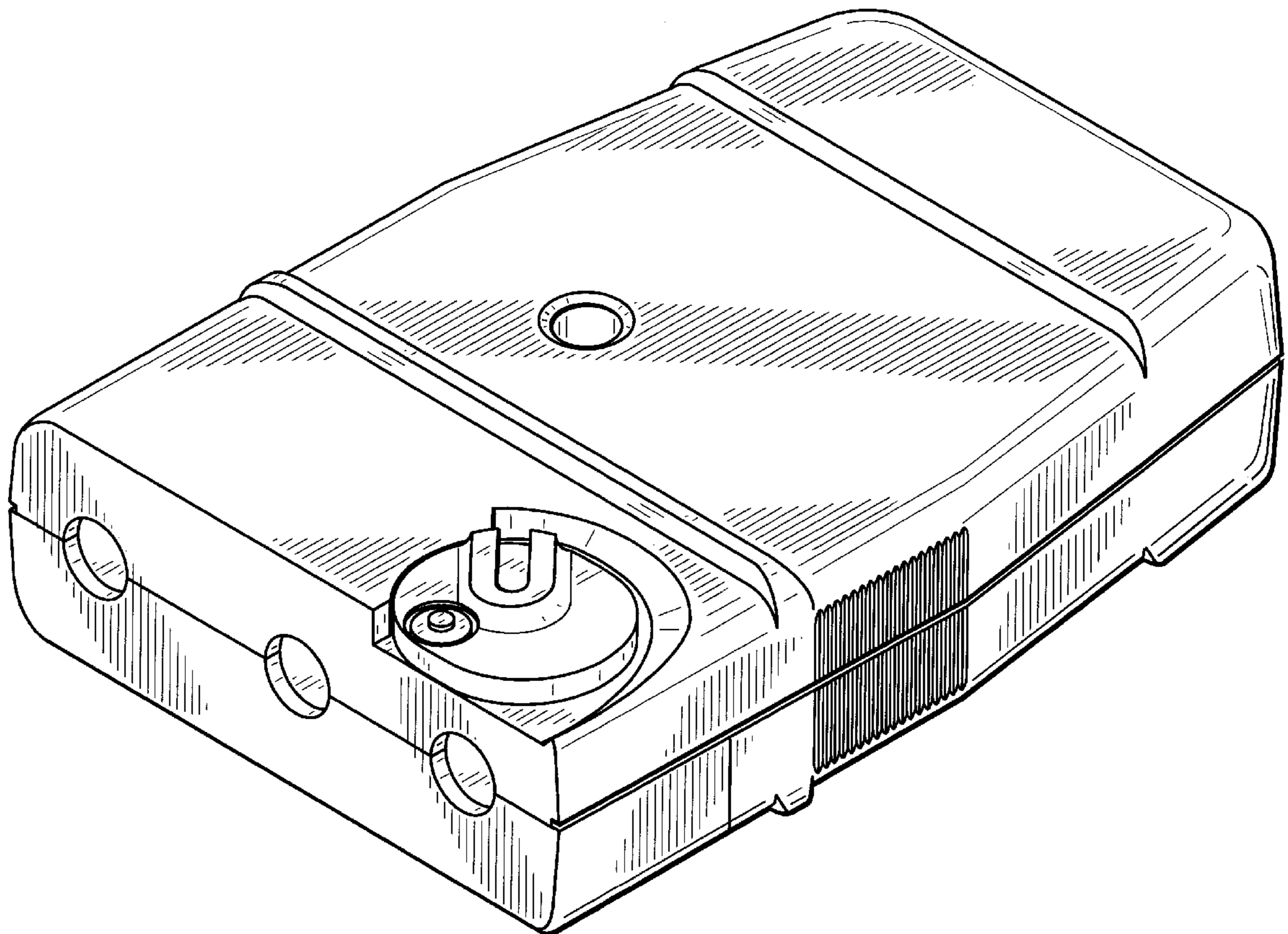
[56] References Cited

U.S. PATENT DOCUMENTS

D. 332,084 12/1992 Hollander et al. D13/133
4,704,091 11/1987 Owens et al. 439/606 X
5,306,164 4/1994 Hollander et al. 439/106 X

The broken lines shown in FIG. 6 are for illustrative purposes only and form no part of the claimed design.

1 Claim, 4 Drawing Sheets



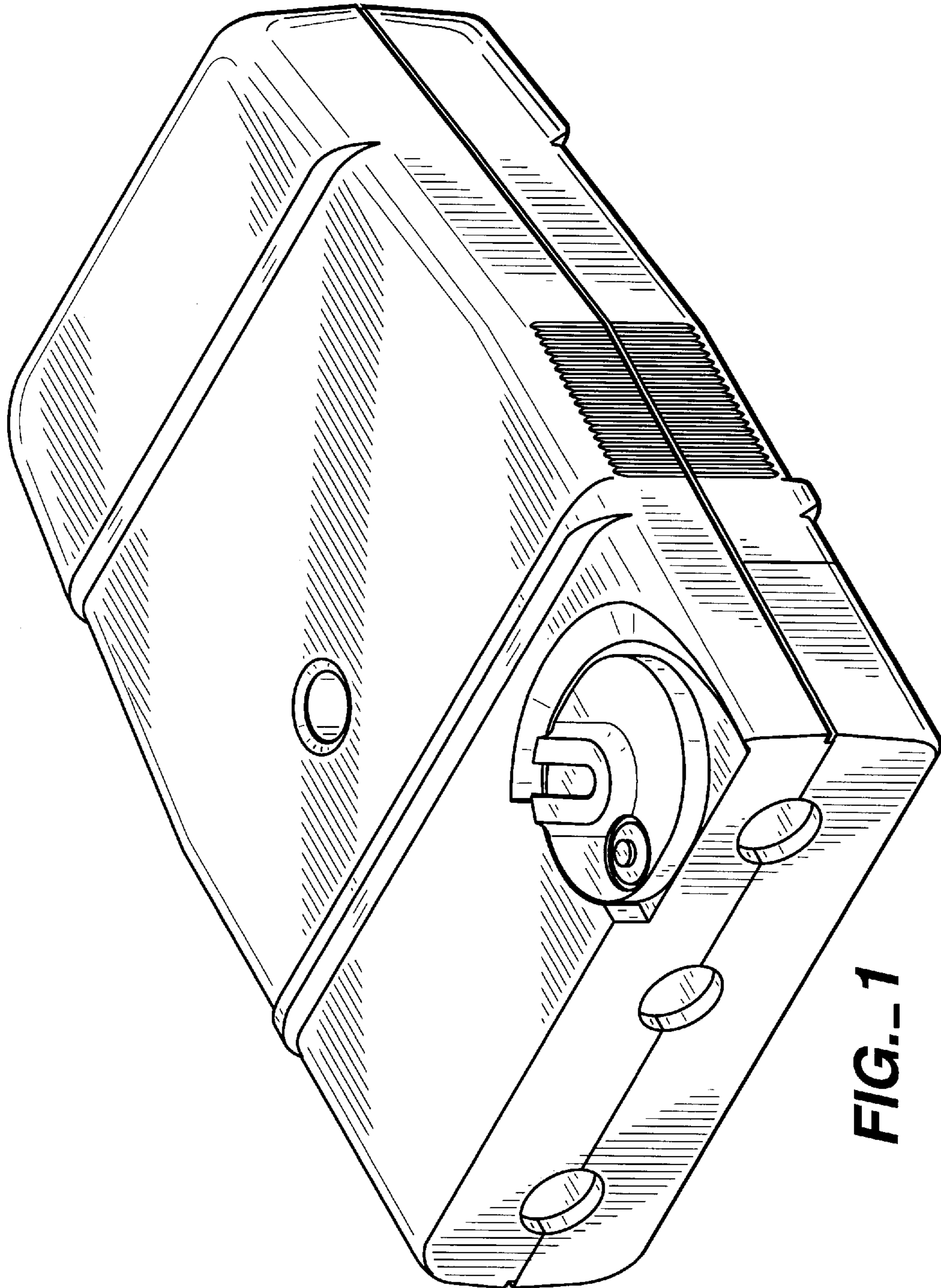


FIG. 1

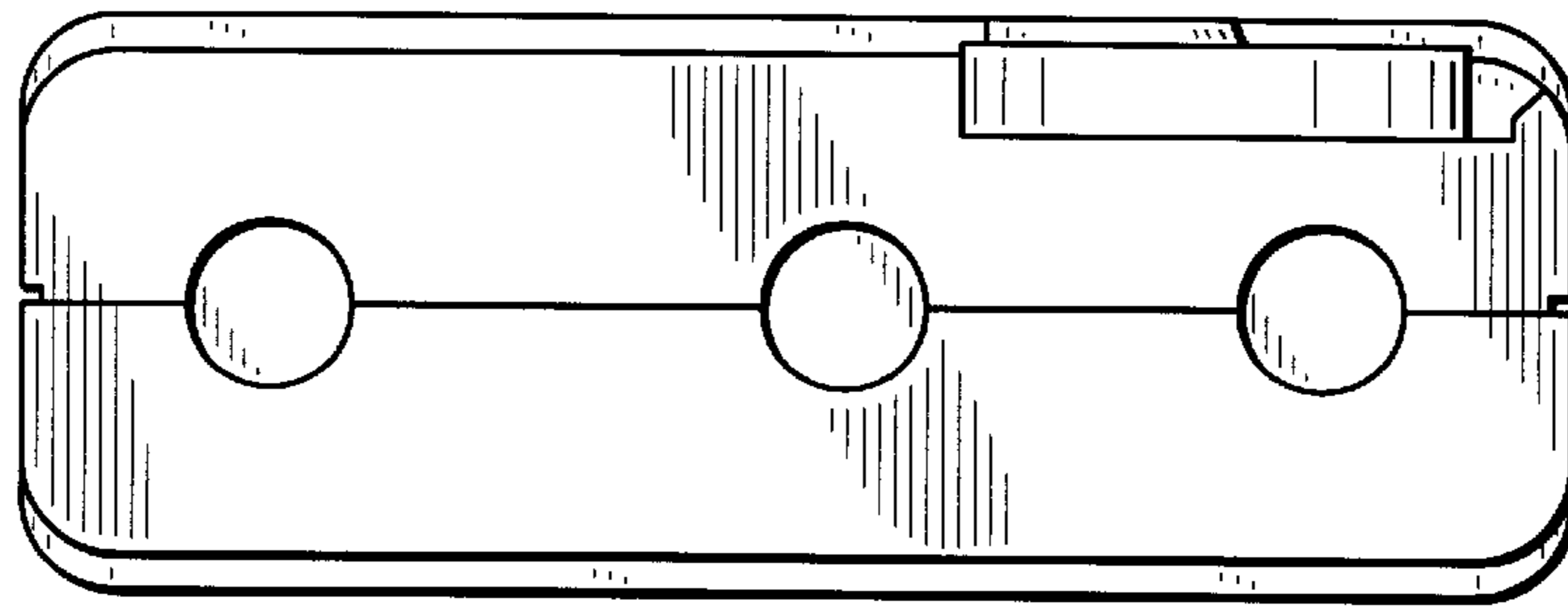


FIG. 2

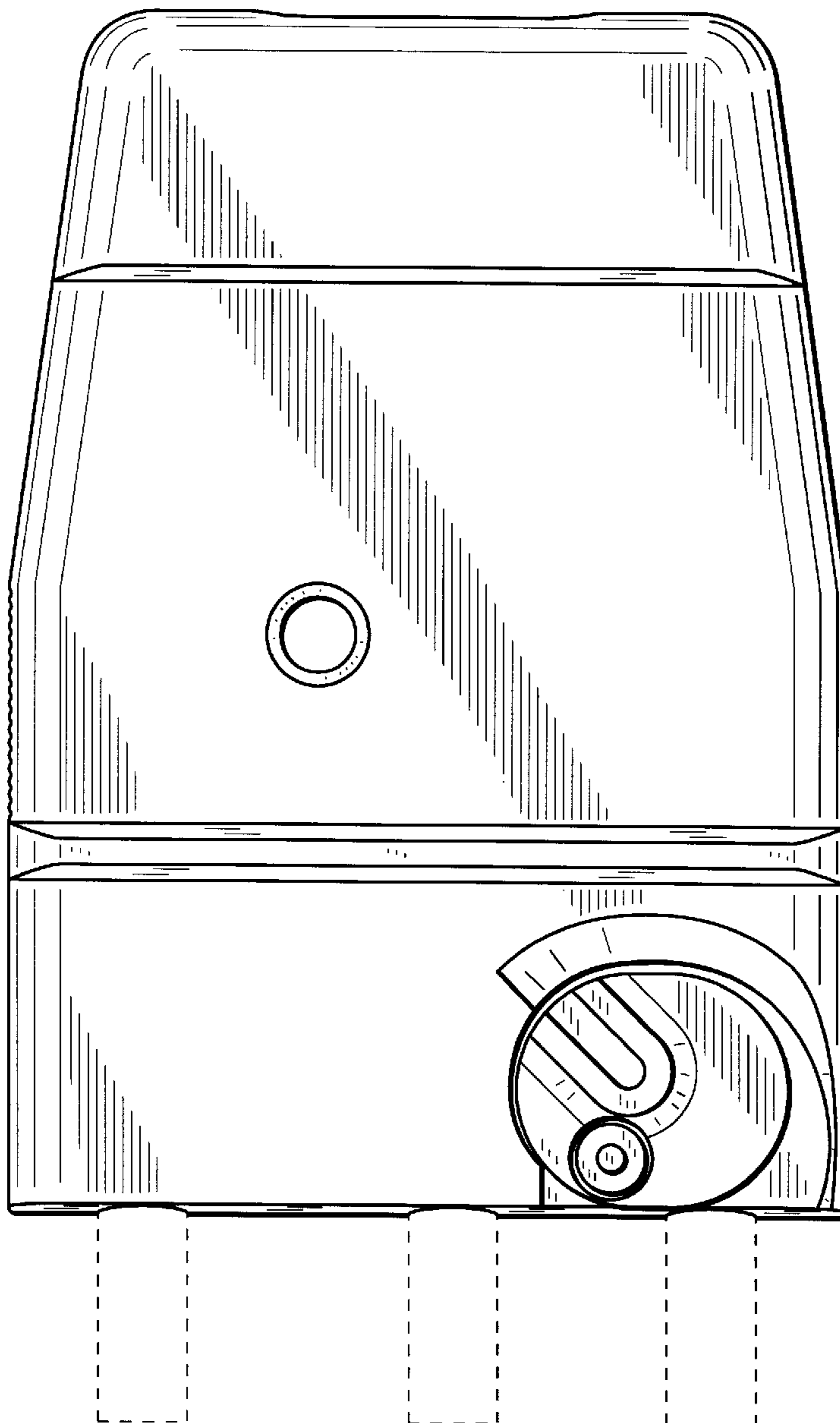


FIG. 6

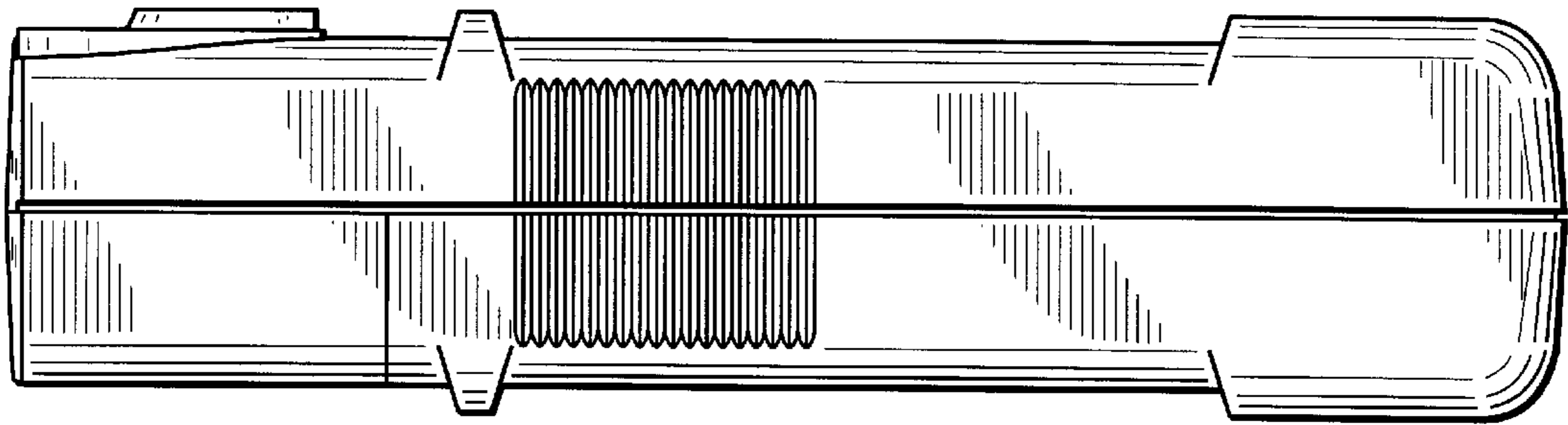


FIG._3

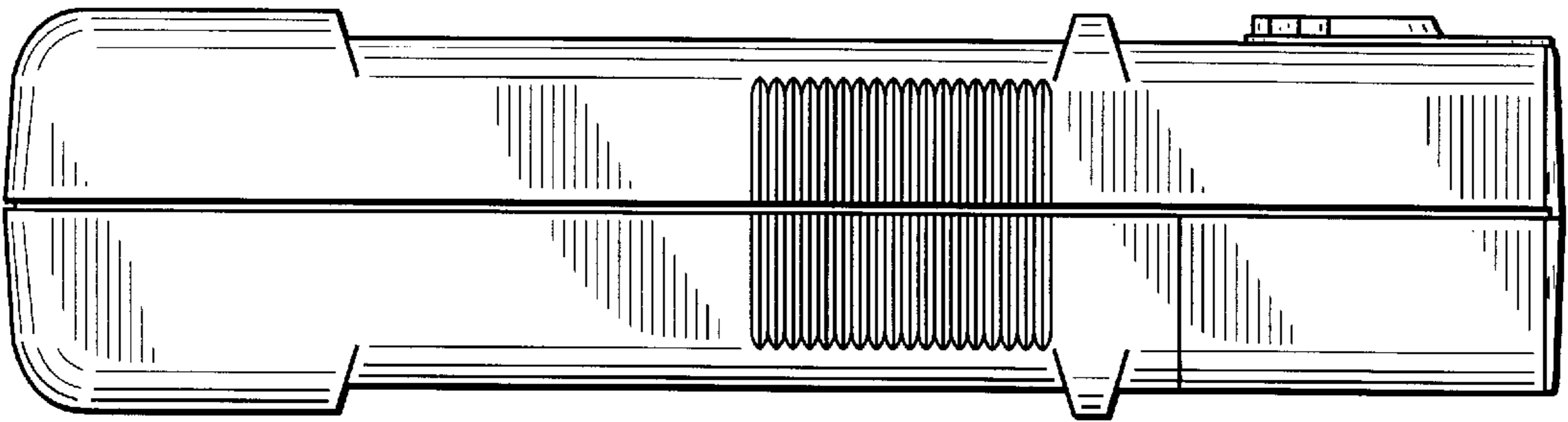


FIG._5

FIG._4

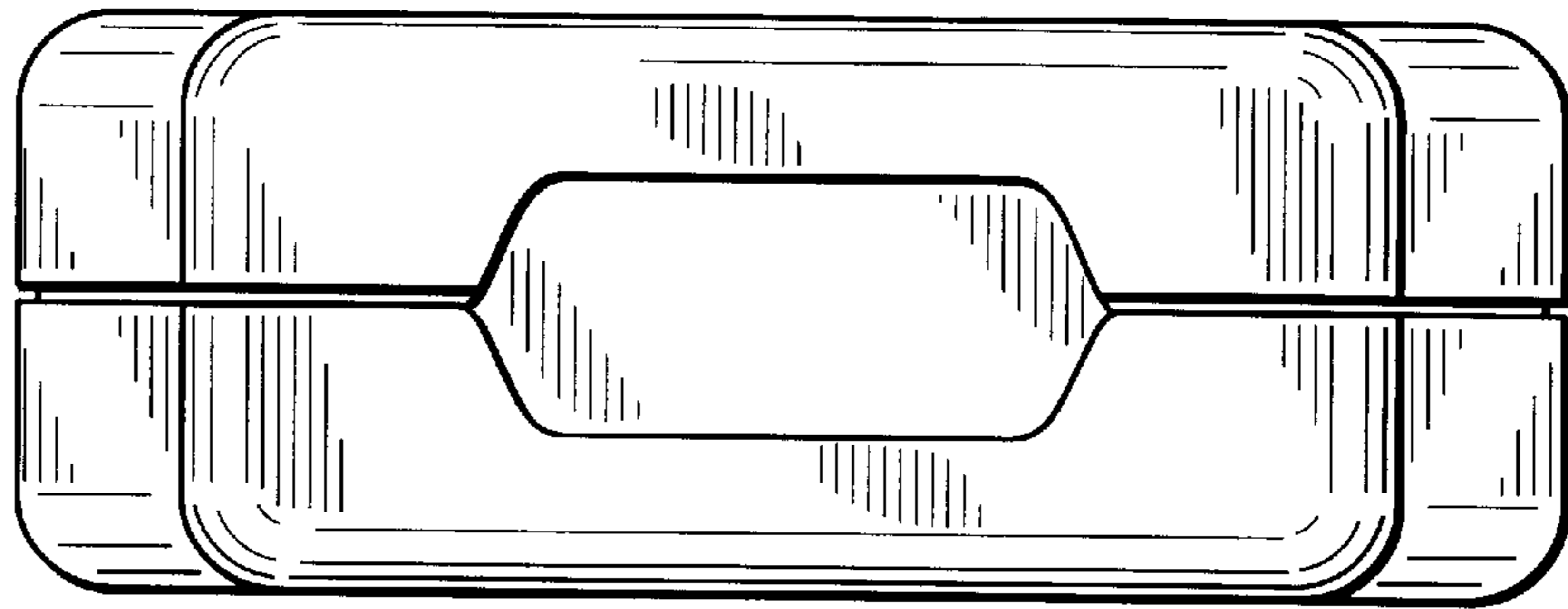


FIG._7

