



US00D398286S

# United States Patent [19]

Becker et al.

[11] Patent Number: **Des. 398,286**

[45] Date of Patent: **\*\*Sep. 15, 1998**

[54] **ELECTRICAL ALTERNATOR**

[75] Inventors: **James Becker**, Crystal Lake; **Madjid Naghshineh**, Chicago, both of Ill.

[73] Assignee: **C. E. Niehoff & Company**, Evanston, Ill.

[\*\*] Term: **14 Years**

[21] Appl. No.: **70,124**

[22] Filed: **Apr. 30, 1997**

[51] **LOC (6) Cl.** ..... **13-02**

[52] **U.S. Cl.** ..... **D13/114**

[58] **Field of Search** ..... D13/101, 110, D13/112, 114, 123; 310/10, 40 R, 46, 42, 114, 231; 290/46, 36 R

[56] **References Cited**

**U.S. PATENT DOCUMENTS**

D. 207,401	4/1967	Andrews et al. ....	D13/114
D. 217,675	5/1970	Tomkinson et al. .	
D. 314,742	2/1991	Sieber .....	D13/114
4,692,631	9/1987	Dahl .....	310/156 X
5,005,281	4/1991	Burns .....	310/42 X
5,459,364	10/1995	Rondier .....	310/232

**OTHER PUBLICATIONS**

“Lightningbolt” advertisement of C701 alternator of C. E. Niehoff & Co., Bus Ride, Jan., 1996, p. 99.  
Advertisement of C801 alternator of C.E. Niehoff & Co. It is believed that the advertisement was publicly disclosed more than one year prior to Apr. 30, 1997.

Pending U.S. Patent Application Serial No. 29/049,672 filed on Jan. 29, 1996 by Becker et al.

Pending U.S. Patent Application Serial No. 29/069,532 filed on Apr. 24, 1997 by Becker et al.

*Primary Examiner*—Brian N. Vinson  
*Attorney, Agent, or Firm*—Brinks Hofer Gilson & Lione

[57] **CLAIM**

We claim the ornamental design for an electrical alternator, as shown and described.

**DESCRIPTION**

FIG. 1 is a perspective view showing our new design for an electrical alternator;

FIG. 2 is a rear view thereof;

FIG. 3 is a front view thereof;

FIG. 4 is a top view thereof;

FIG. 5 is a right side view thereof;

FIG. 6 is a bottom view thereof; and,

FIG. 7 is a left side view of thereof when the alternator of FIGS. 1–6 is rotated by 180 degrees.

The broken-line disclosure in the views is for illustrative purposes only and forms no part of the claimed design.

**1 Claim, 3 Drawing Sheets**

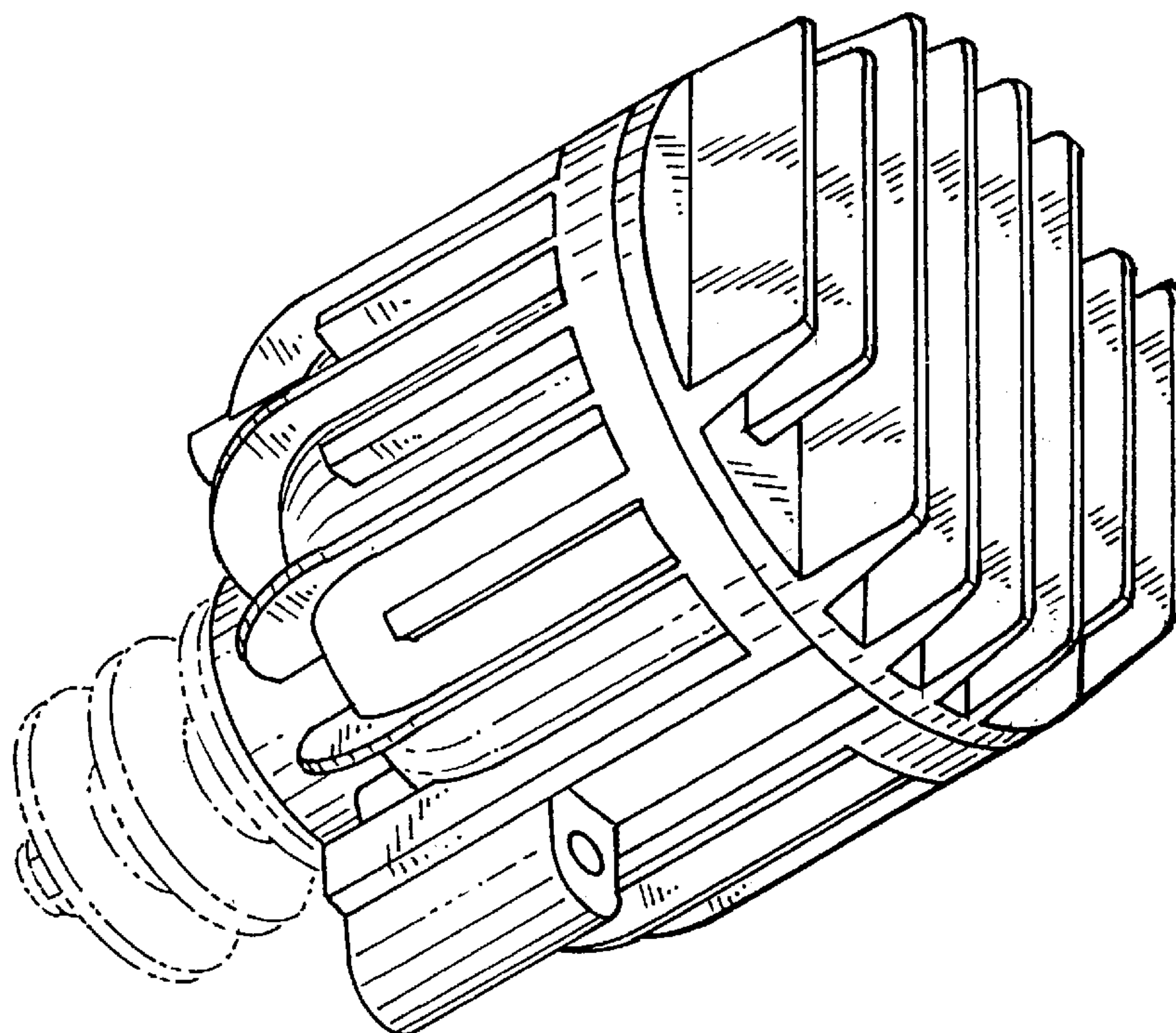


FIG. 1

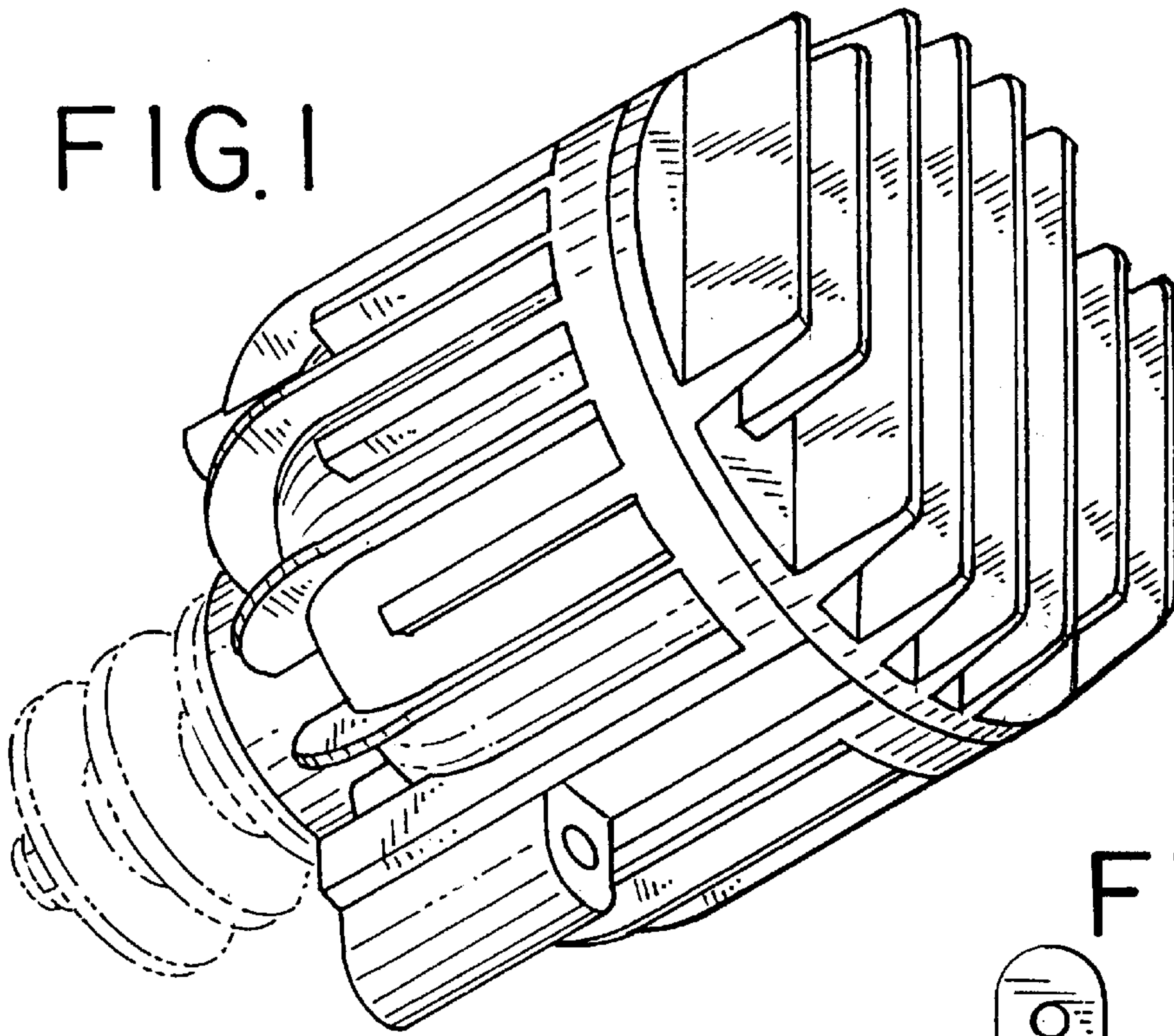


FIG. 2

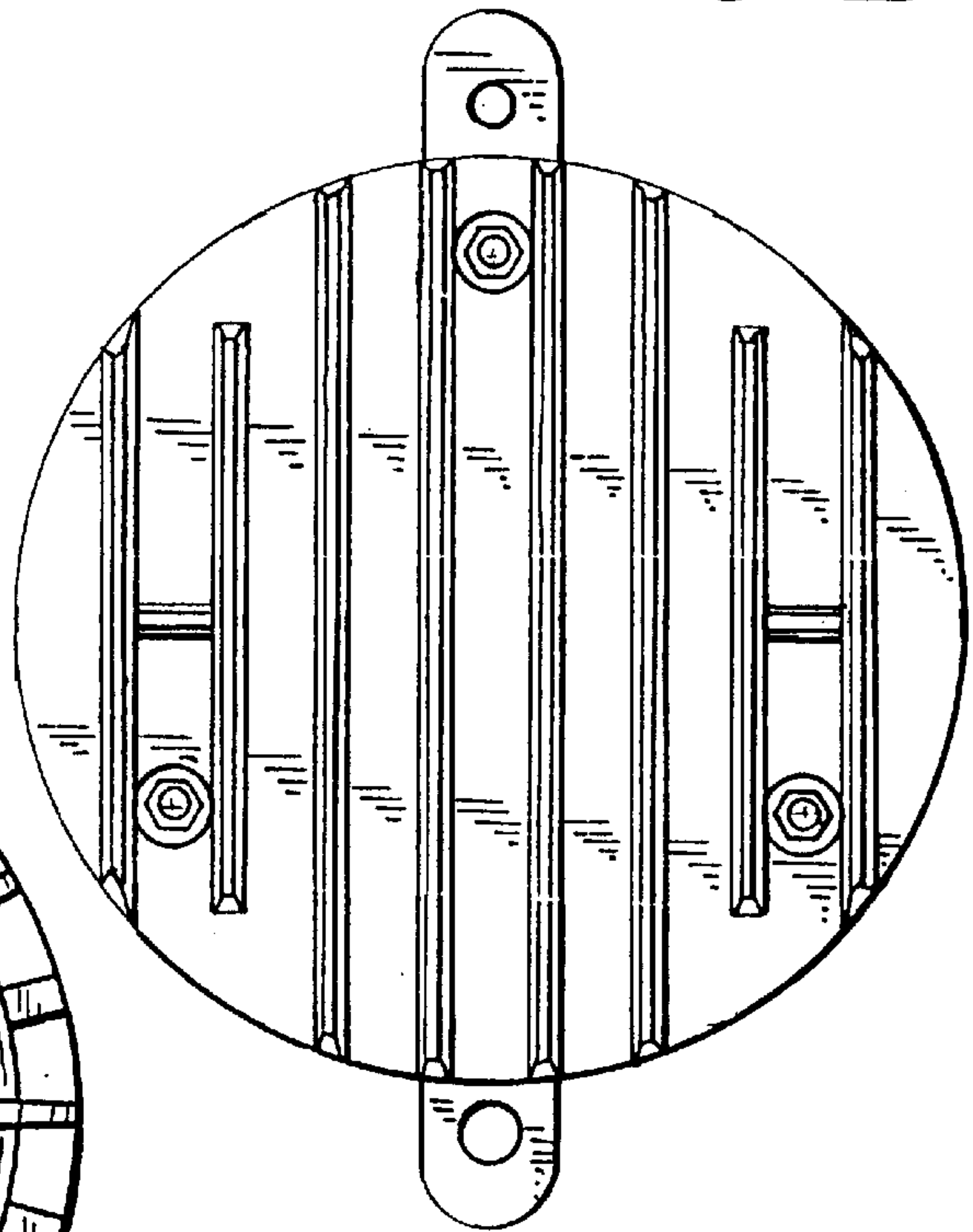


FIG. 3

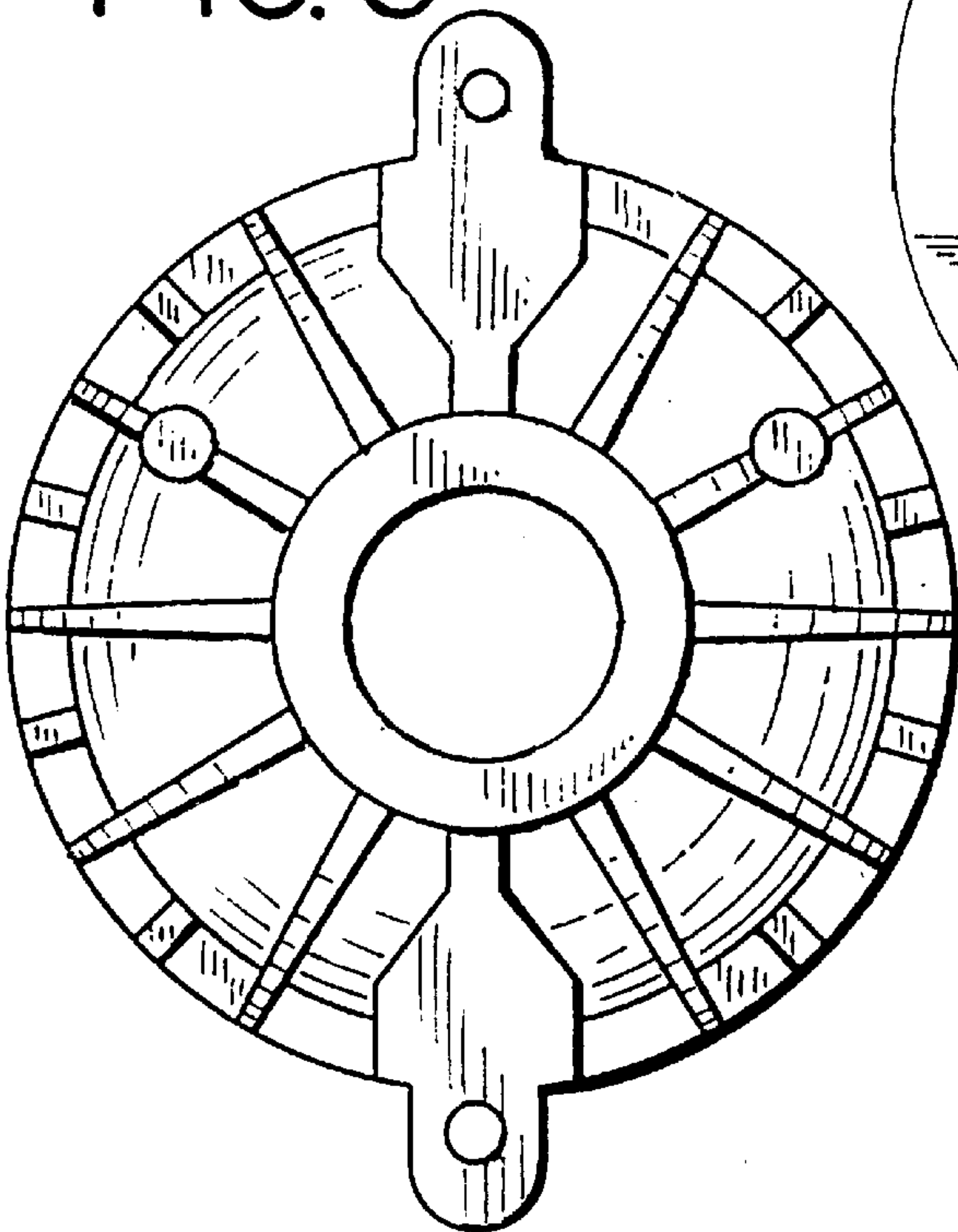


FIG. 4

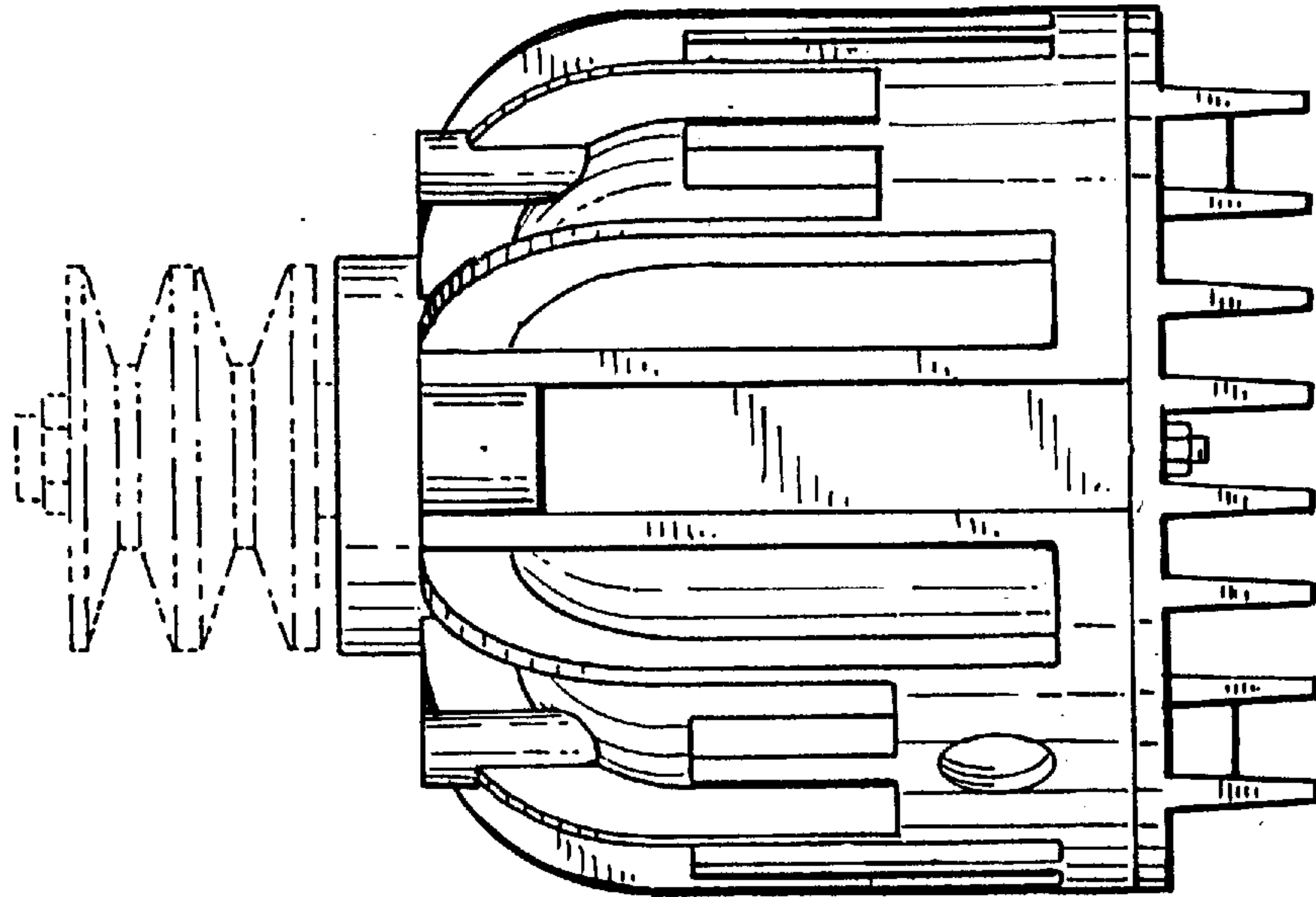


FIG. 5

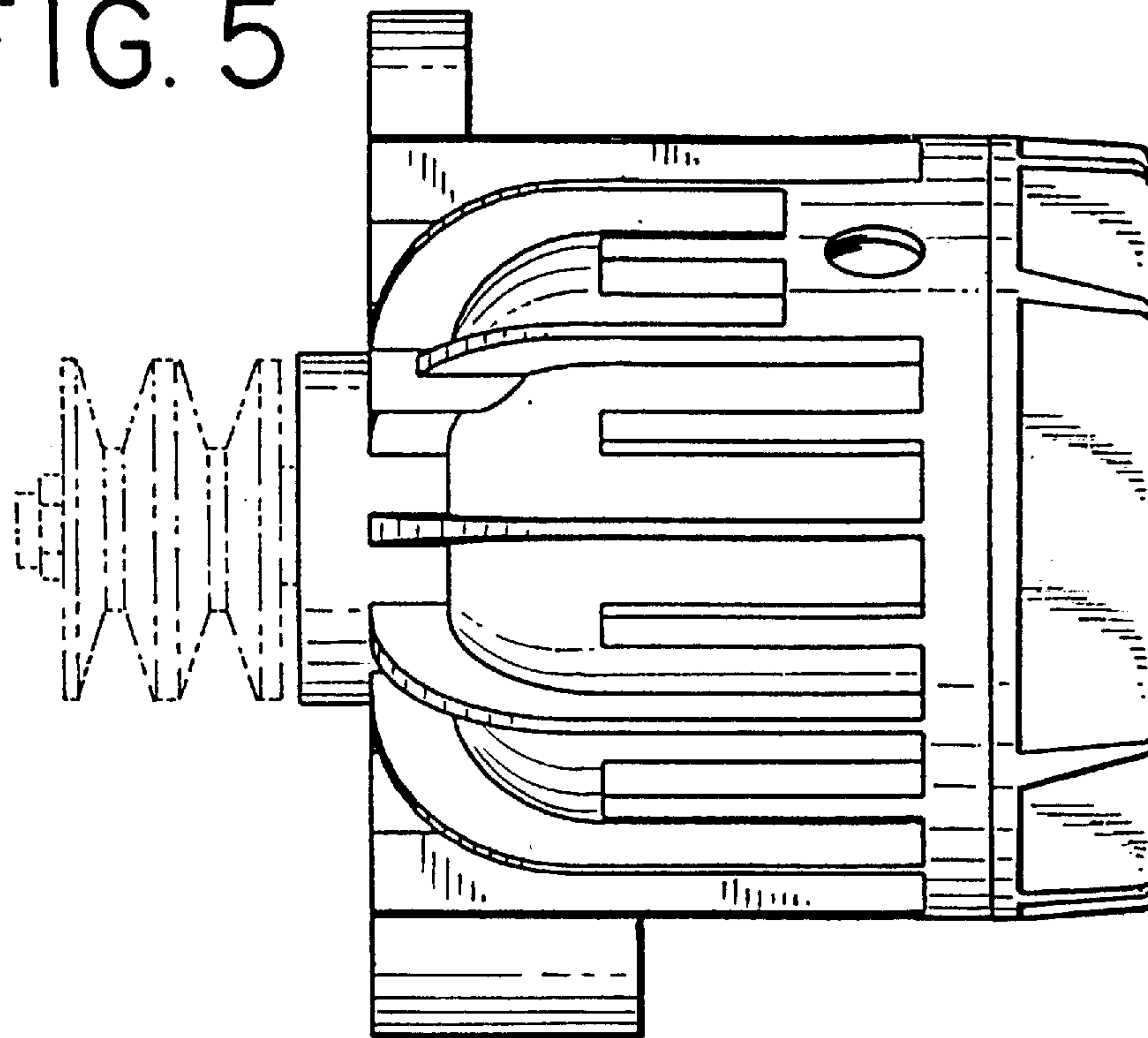




FIG. 6

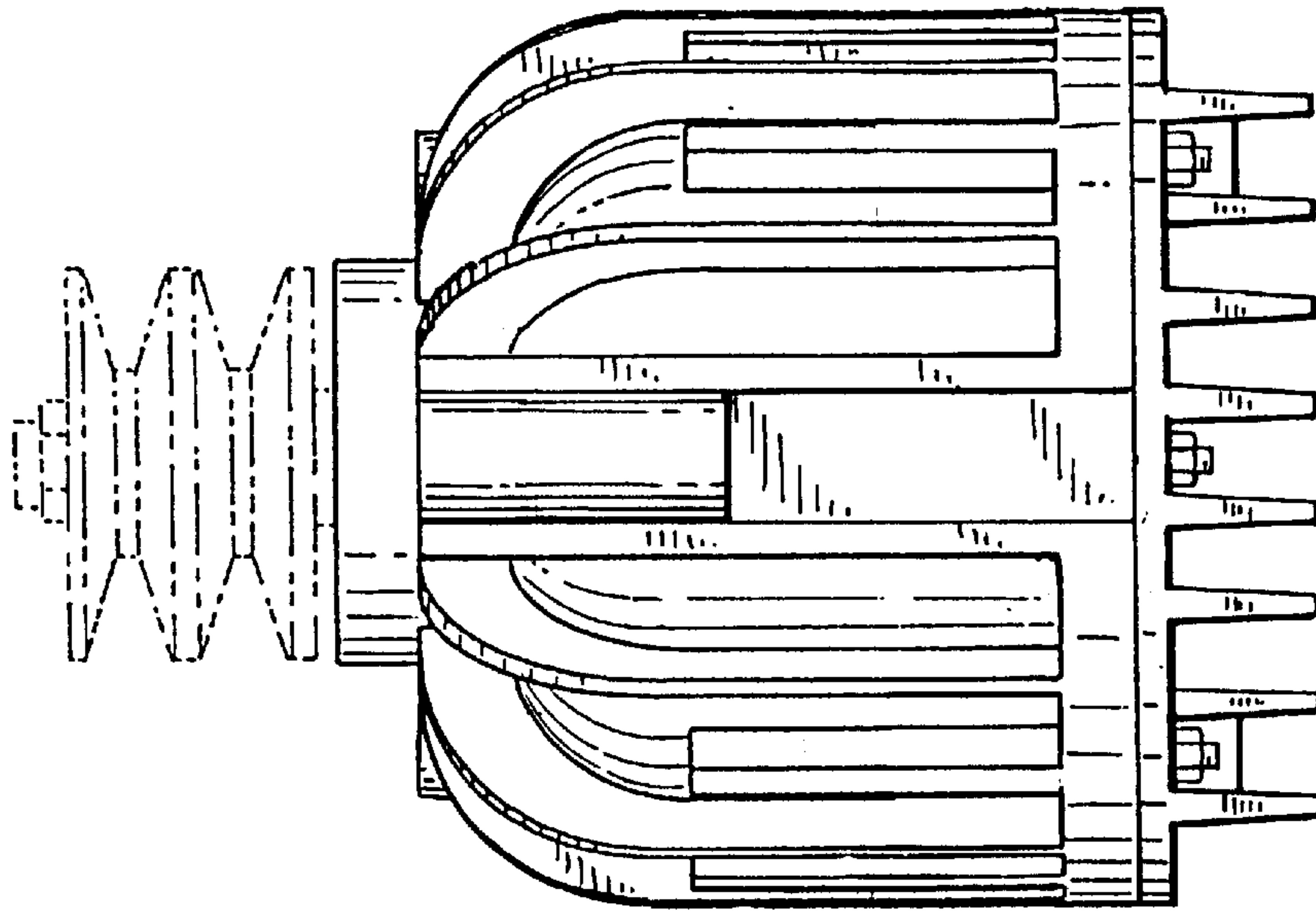
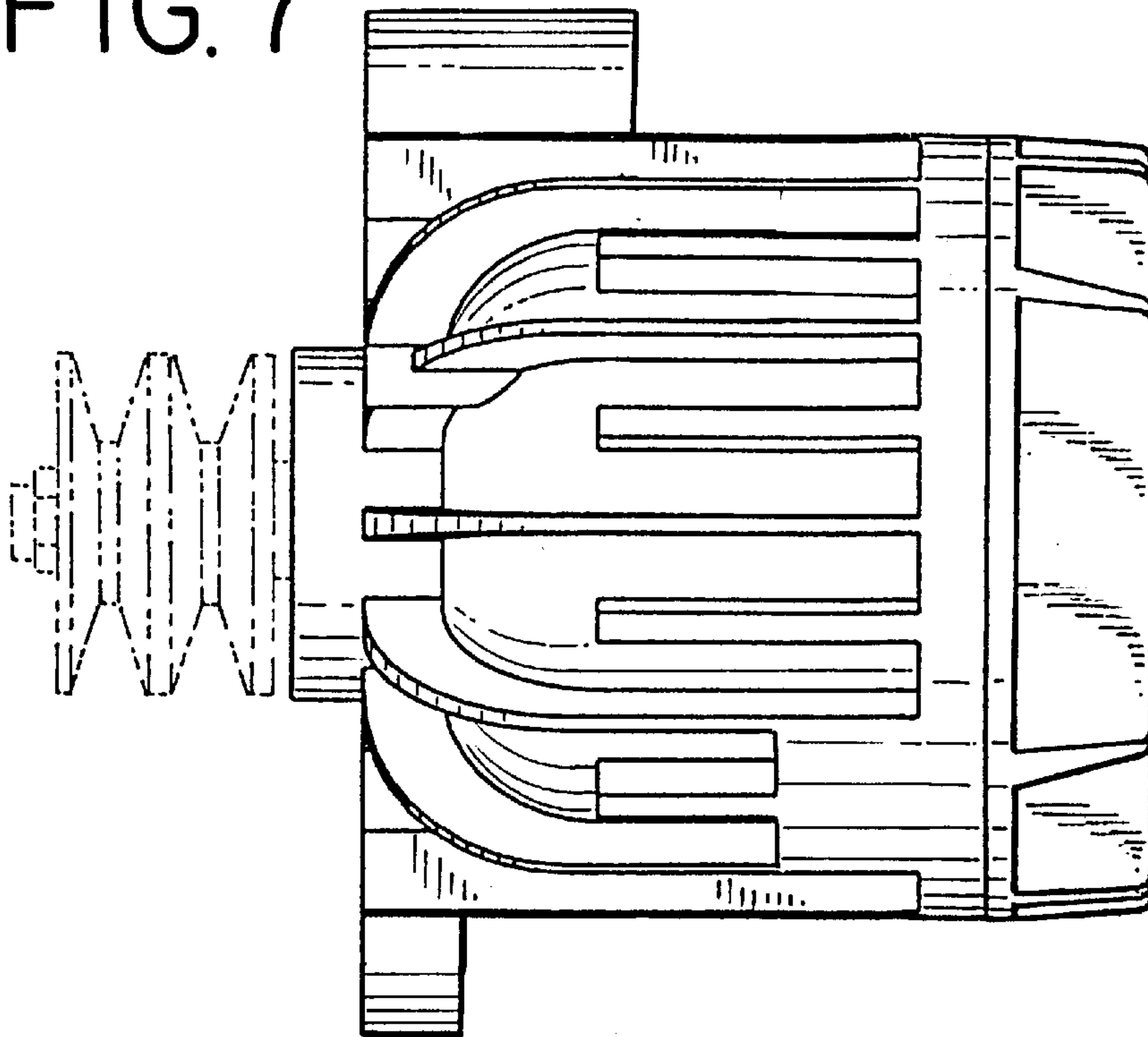


FIG. 7



UNITED STATES PATENT AND TRADEMARK OFFICE  
**CERTIFICATE OF CORRECTION**

PATENT NO. : Des. 398,286  
DATED : September 15, 1998  
INVENTOR(S) : James Becker et al.

Page 1 of 1

It is certified that error appears in the above-identified patent and that said Letters Patent is hereby corrected as shown below:

On the Title Page

Column 1,

After line 6, under "U.S. PATENT DOCUMENTS", please insert:

--D. 306,280 2/1990 Pfeifer et al.--.

Column 2,

Line 1, under "CLAIM", please delete "," after "alternator".

Signed and Sealed this  
Nineteenth Day of June, 2001

*Attest:*

*Nicholas P. Godici*

*Attesting Officer*

NICHOLAS P. GODICI  
*Acting Director of the United States Patent and Trademark Office*