



US00D398279S

**United States Patent** [19]  
**Wagner**

[11] **Patent Number: Des. 398,279**

[45] **Date of Patent: \*\*Sep. 15, 1998**

[54] **SELF EMBEDDING BOAT OR OTHER APPLICATIONS ANCHOR**

1,726,526	9/1929	Colvin .....	52/160
1,955,902	4/1934	Bullard .....	52/160
2,570,646	10/1951	Cole .....	52/160
2,937,609	5/1960	Cobb .....	114/301
4,702,045	10/1987	Fricker .....	52/161

[75] Inventor: **Thomas E. Wagner**, Kirkwood, Mo.

[73] Assignee: **Wagner Products Co.**, Kirkwood, Mo.

[\*\*] Term: **14 Years**

*Primary Examiner*—Kay H. Chin  
*Attorney, Agent, or Firm*—Paul M. Denk

[21] Appl. No.: **66,377**

[57] **CLAIM**

[22] Filed: **Feb. 7, 1997**

The ornamental design for a self-embedding boat or other applications anchor, as shown and described.

[51] **LOC (6) Cl.** ..... **12-06**

**DESCRIPTION**

[52] **U.S. Cl.** ..... **D12/215**

[58] **Field of Search** ..... D12/215; 52/23,  
52/149, 157, 160, 161, 698, 185; 114/294,  
298, 301-310

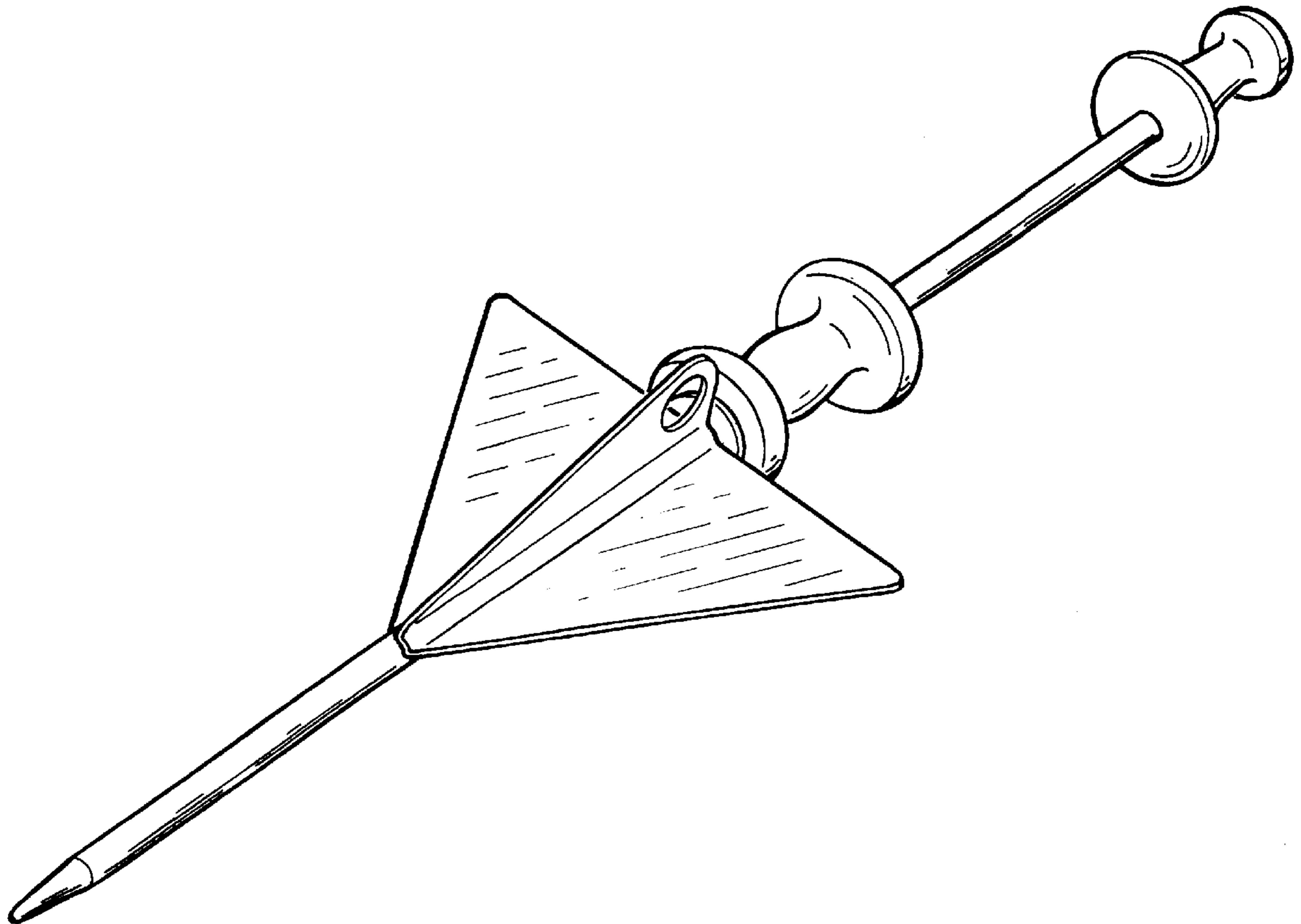
FIG. 1 is an exploded view showing the self-embedding boat or other applications anchor of this invention;  
FIG. 2 is an isometric view thereof;  
FIG. 3 is a front view thereof; and,  
FIG. 4 is a side view thereof;  
FIG. 5 is a top view thereof; and,  
FIG. 6 is a bottom view thereof.

[56] **References Cited**

**U.S. PATENT DOCUMENTS**

D. 193,595	9/1962	Northrop .....	D12/215
1,658,155	2/1928	Blackburn .....	52/160

**1 Claim, 3 Drawing Sheets**



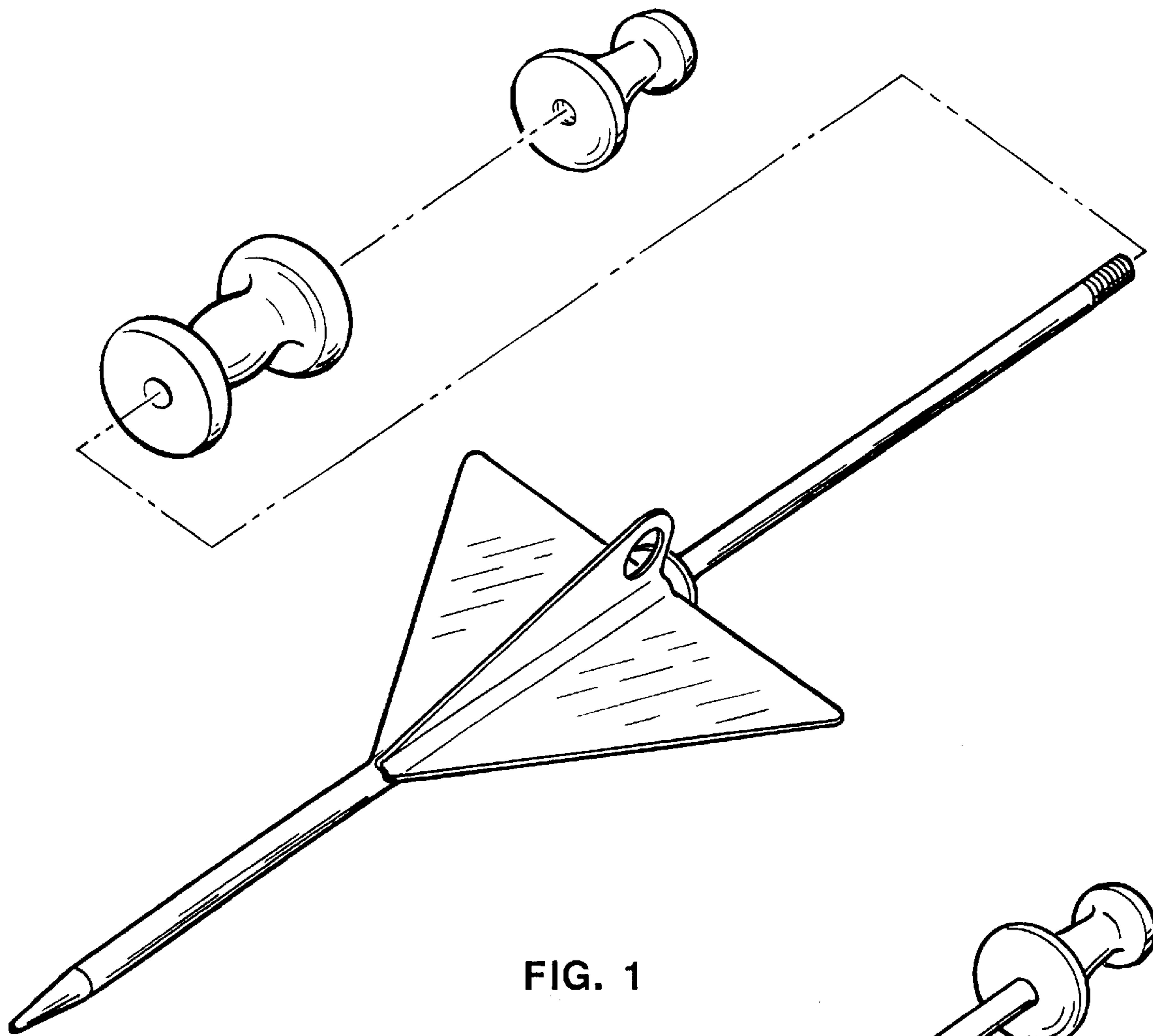


FIG. 1

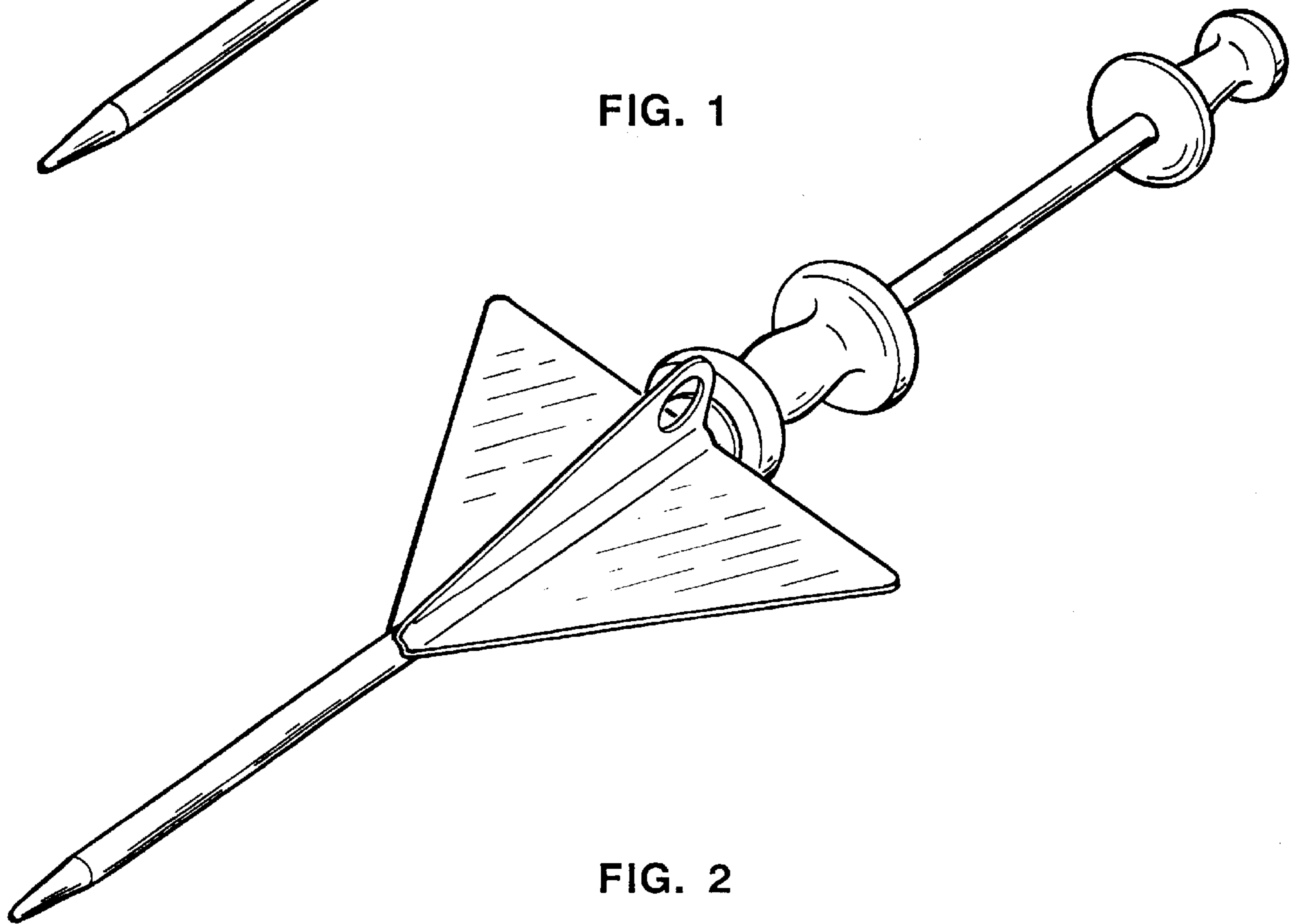


FIG. 2

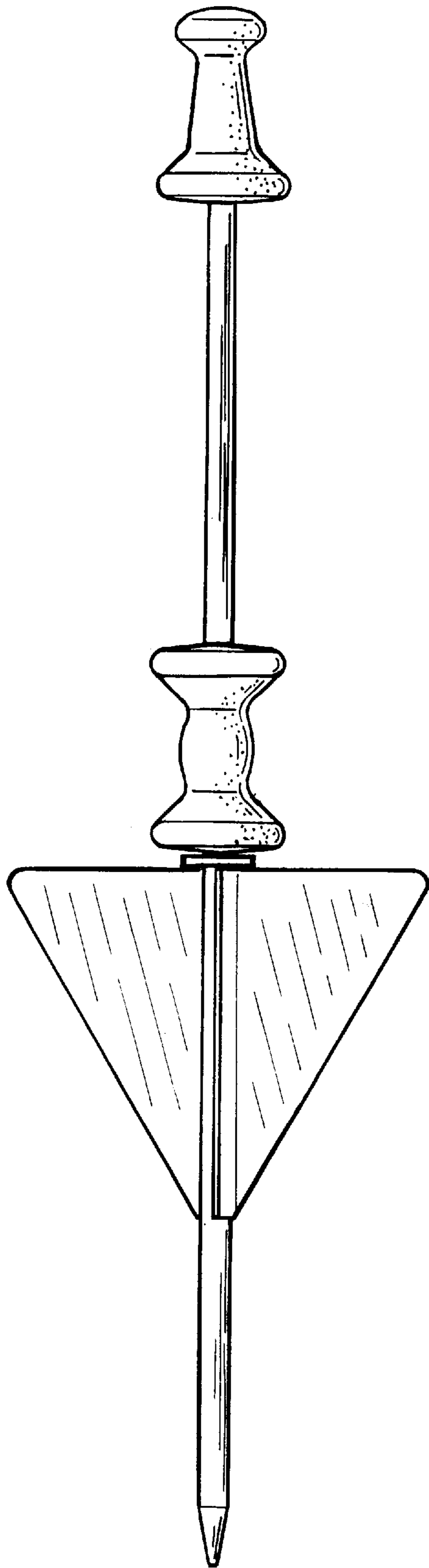


FIG. 3

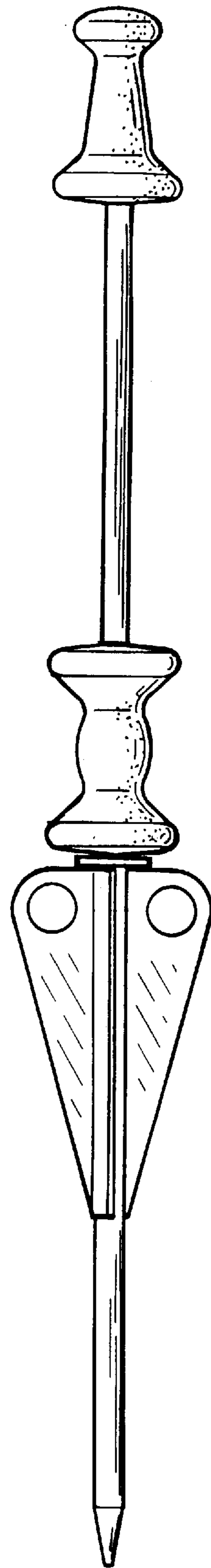


FIG. 4

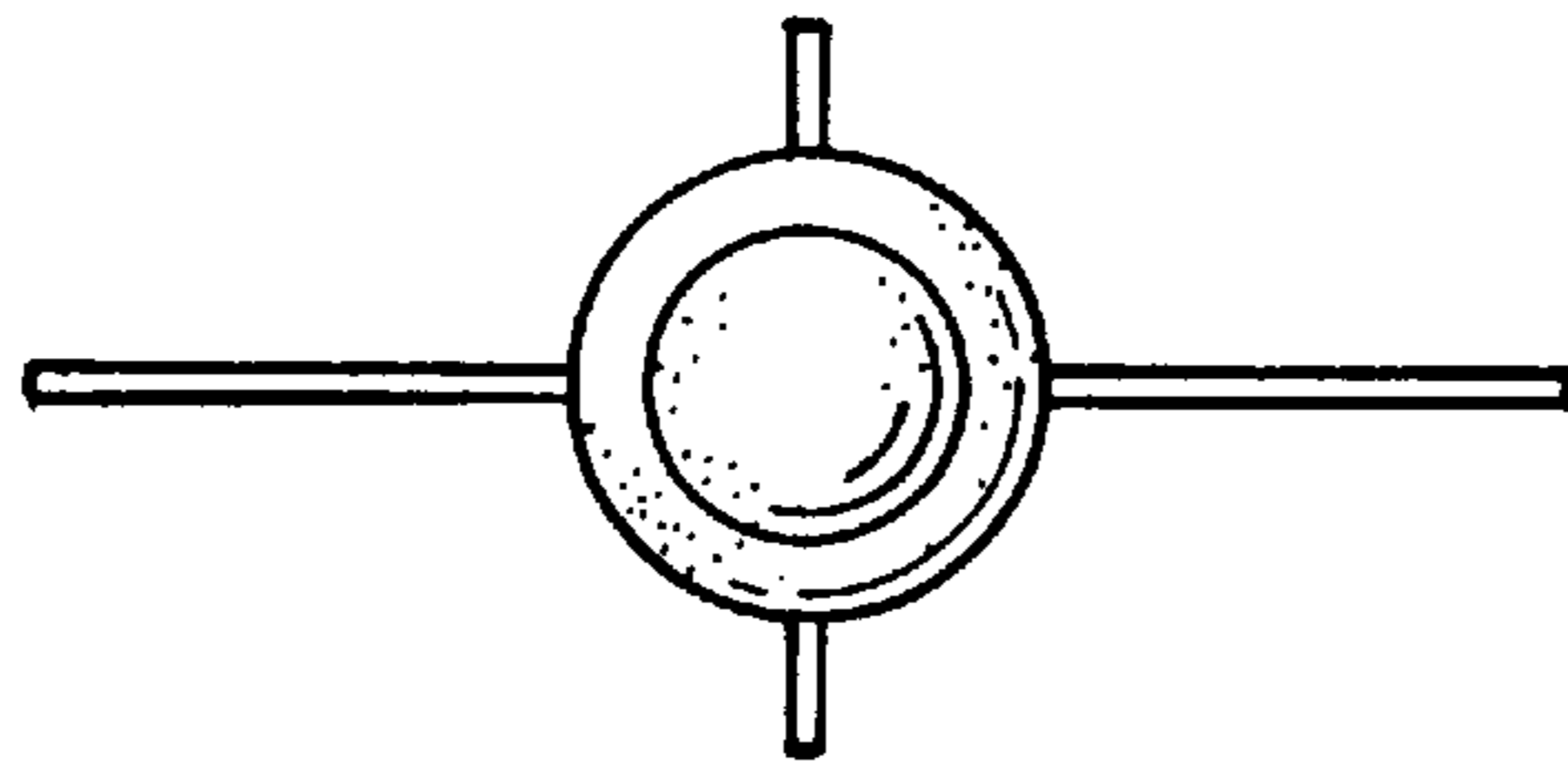


FIG. 5

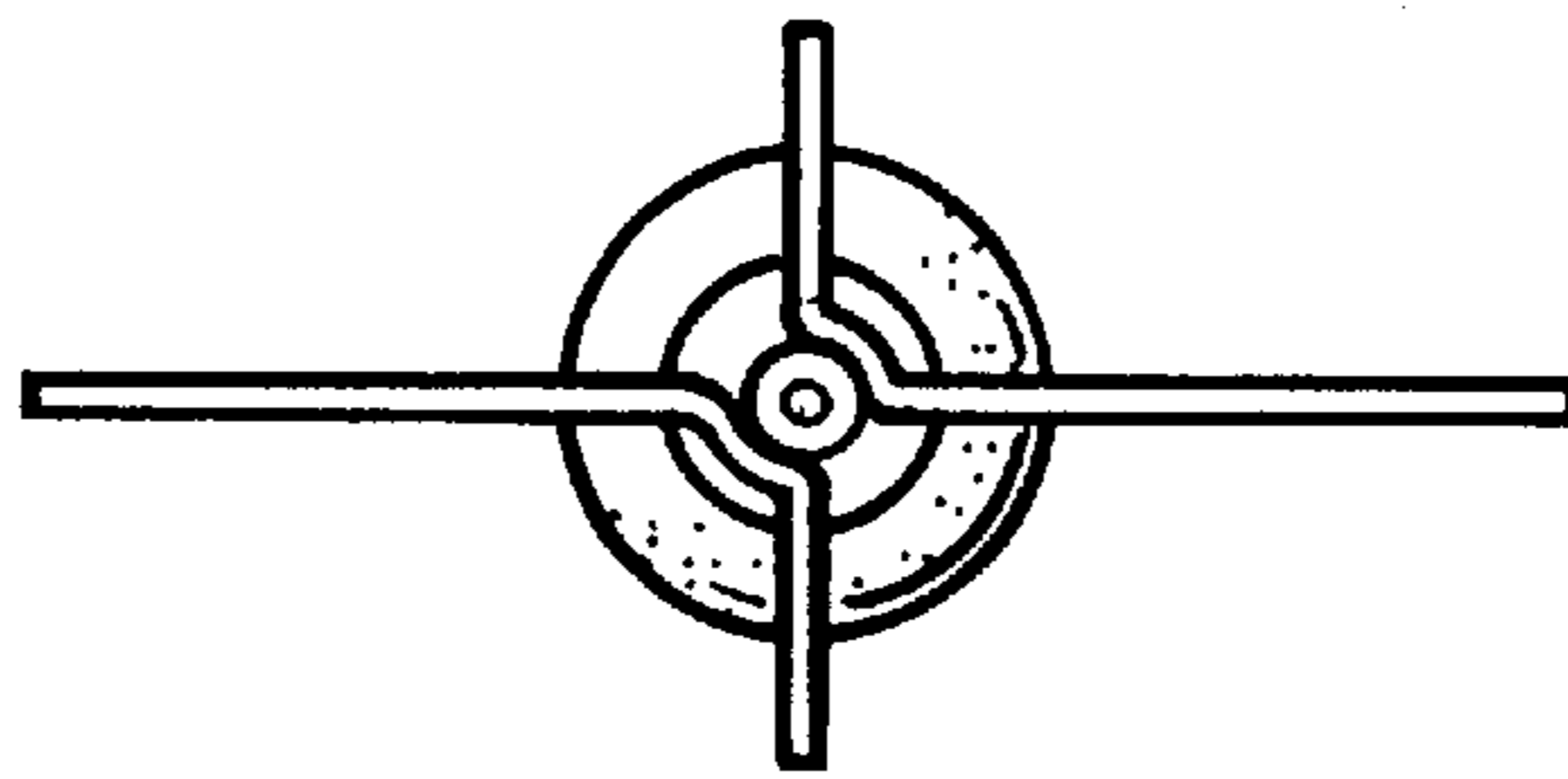


FIG. 6