



US00D398264S

# United States Patent [19]

[11] **Patent Number: Des. 398,264**

**Fetz et al.**

[45] **Date of Patent: \*\*Sep. 15, 1998**

[54] **TRAILER FRONT SCUFF BAND**

[75] Inventors: **Charles R. Fetz**, Savannah, Ga.; **James T. Colling**, Memphis, Tenn.

[73] Assignee: **Great Dane Trailers, Inc.**, Savannah, Ga.

[\*\*] Term: **14 Years**

[21] Appl. No.: **41,090**

[22] Filed: **Jul. 5, 1995**

[51] **LOC (6) Cl.** ..... **12-08**

[52] **U.S. Cl.** ..... **D12/97; D12/169**

[58] **Field of Search** ..... **D12/97, 99, 106, D12/167, 169, 190; D25/35, 38, 136; 293/102, 121; 296/181, 199**

[56] **References Cited**

**U.S. PATENT DOCUMENTS**

D. 159,230	7/1950	Sheard	.....	D12/169
D. 160,880	11/1950	O'Leary	.....	D12/169
D. 179,559	1/1957	Chisholm	.....	D12/97
D. 190,077	4/1961	Myers	.....	D12/99
D. 191,101	8/1961	Ornas, Jr. et al.	.....	D12/97
5,454,597	10/1995	Thomas et al.	.	
5,507,405	4/1996	Thomas et al.	.	

**OTHER PUBLICATIONS**

Great Dane Trailers, Inc. Great Dane Drawing No. 603005VV, side view of van trailer bottom rail; Feb. 26, 1991.

Great Dane Trailers, Inc. Great Dane Drawing No. 603014VV, side view of van trailer scuff band; Sep. 27, 1991.

Great Dane Drawing No. 13300024, front and side views of van trailer bottom rail, Great Dane Trailers, Inc.; May 7, 1991.

Great Dane Drawing No. 13300027, front and side views of van trailer bottom rail, Great Dane Trailers, Inc.; 1991.

Great Dane Drawing No. 7122X, side view of outer portion of van trailer bottom rail, Great Dane Trailers, Inc.; Feb. 24, 1978.

Great Dane Trailers, Inc. Great Dane Drawing No. 7030X, side view of inner portion of van trailer bottom rail used in conjunction with rail depicted in drawing No. 7122X; Feb. 6, 1992.

Great Dane Trailers, Inc. Great Dane Drawing No. 15200615, side view of van trailer bottom rail; Aug. 2, 1993.

Great Dane Trailers, Inc. Great Dane Drawing No. 15200616, side view of van trailer bottom rail; Aug. 2, 1993.

*Primary Examiner*—A. Hugo Word

*Assistant Examiner*—Lavone Tabor

*Attorney, Agent, or Firm*—Dority & Manning

[57] **CLAIM**

The ornamental design for a trailer front scuff band, as shown and described.

**DESCRIPTION**

FIG. 1 is a right side and front perspective view of a trailer front scuff band showing our new design with the broken lines being for illustrated purposes only and forming no part of the claimed design;

FIG. 2 is a greatly enlarged partial left side perspective view thereof;

FIG. 3 is a left side elevational view of FIG. 1 and is shown on a scale greater than that shown in FIG. 2, with the right side being a mirror image of the left side;

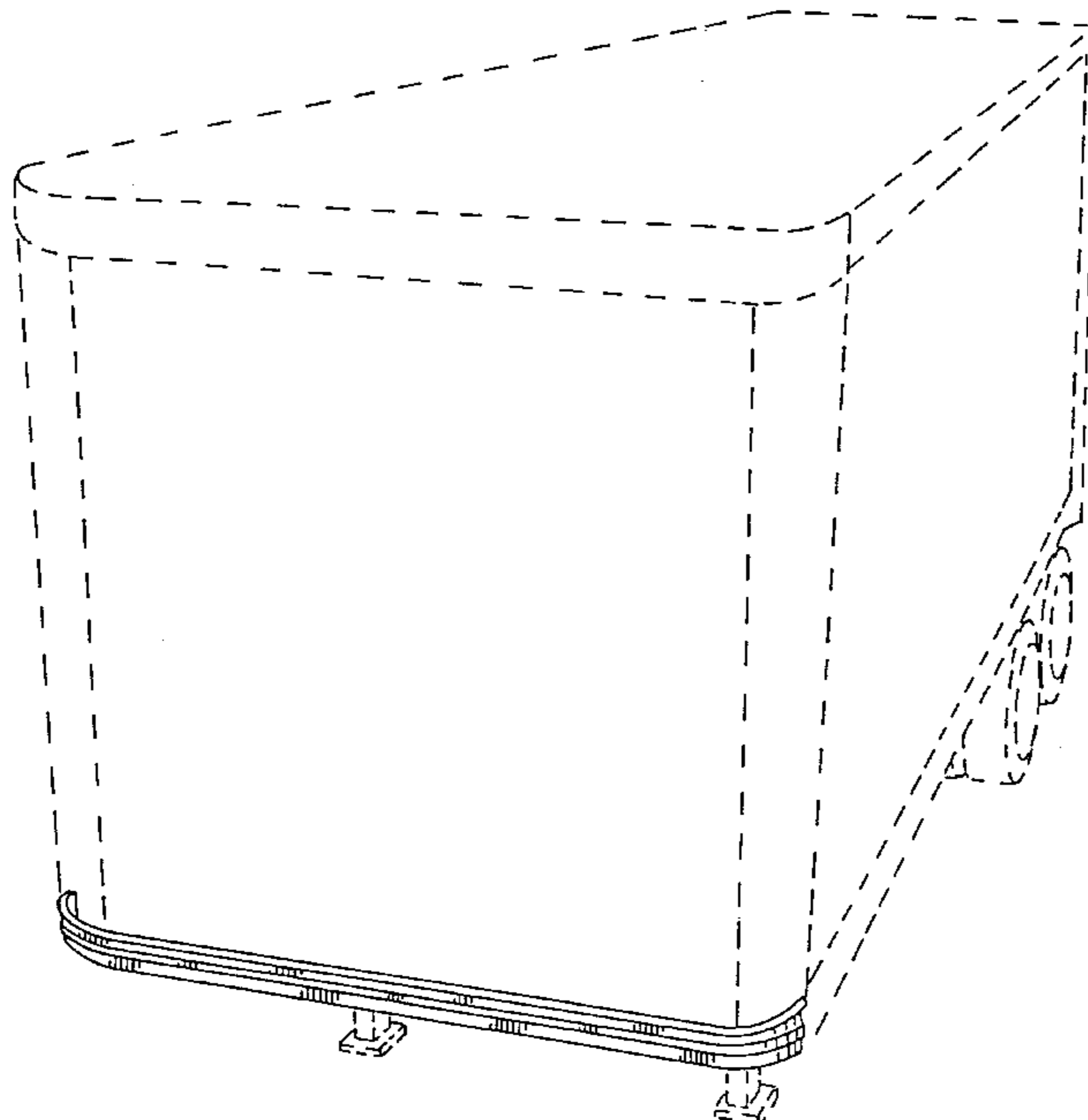
FIG. 4 is an enlarged top plan view of FIG. 1;

FIG. 5 is a front elevational view thereof;

FIG. 6 is a bottom plan view thereof; and,

FIG. 7 is a rear elevational view thereof.

**1 Claim, 2 Drawing Sheets**



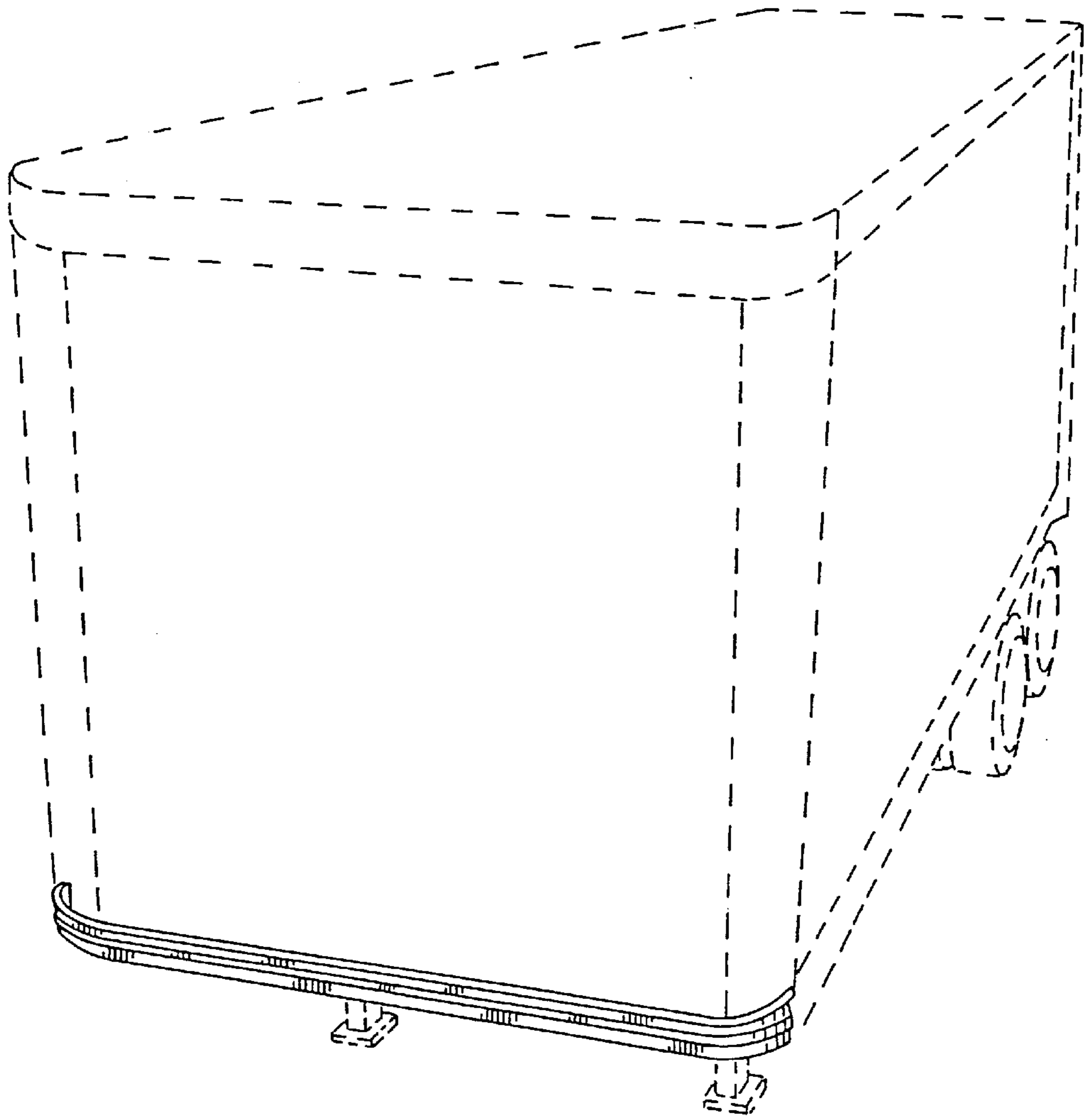


FIG. 1

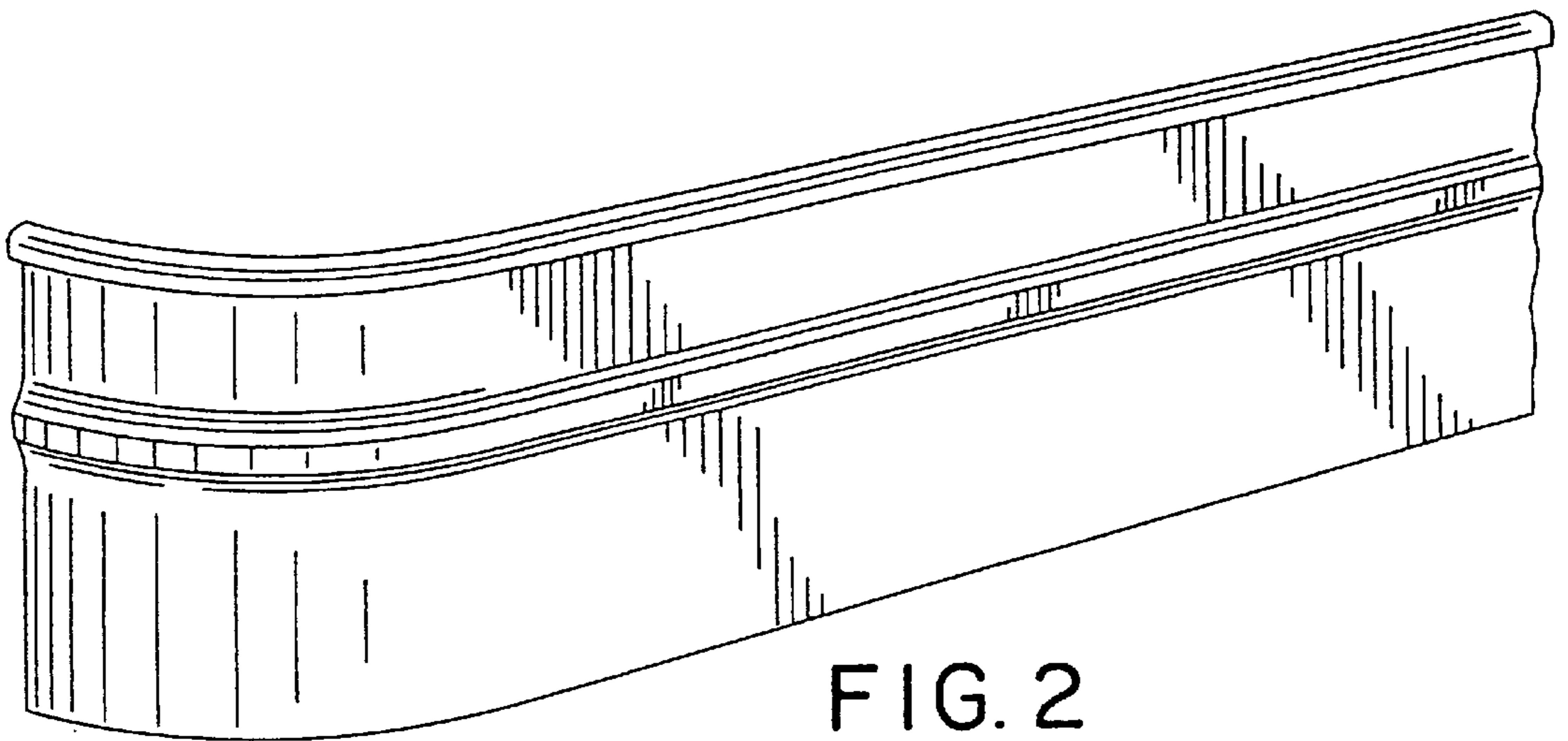


FIG. 2

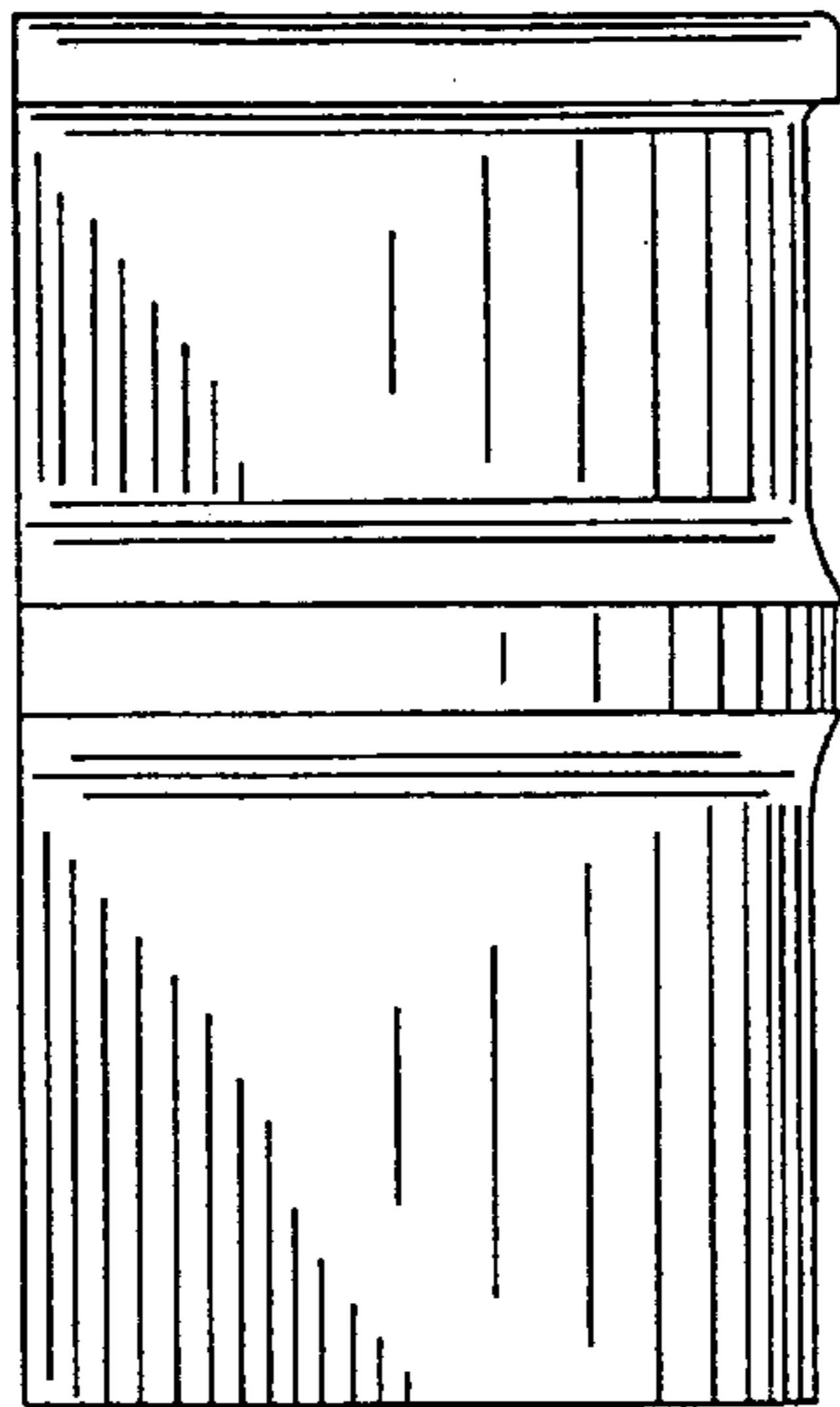


FIG. 3



FIG. 4



FIG. 5



FIG. 6

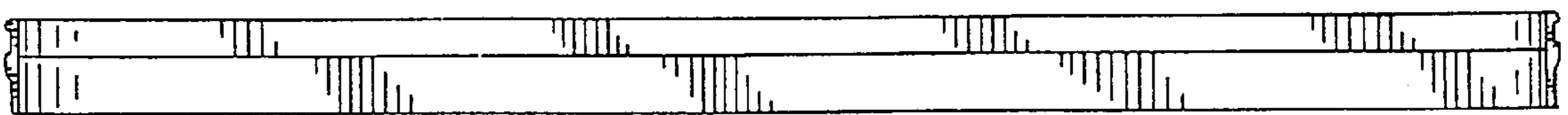


FIG. 7