



US00D398253S

# United States Patent [19] Pail

[11] **Patent Number: Des. 398,253**

[45] **Date of Patent: \*\*Sep. 15, 1998**

[54] **FLASHER PEDOMETER**

**DESCRIPTION**

[76] Inventor: **Opher Pail**, 625 Main St., New York, N.Y. 10044

[\*\*] Term: **14 Years**

[21] Appl. No.: **70,823**

[22] Filed: **May 16, 1997**

[51] **LOC (6) Cl.** ..... **10-04**

[52] **U.S. Cl.** ..... **D10/70**

[58] **Field of Search** ..... D10/97, 98; 235/95 C, 235/105; 324/100-180; 377/5, 24.7, 26

[56] **References Cited**

**U.S. PATENT DOCUMENTS**

- D. 303,094 8/1989 Ling ..... D10/70
- D. 312,046 11/1990 Ruehlemann ..... D10/70
- D. 312,049 11/1990 Ruehlemann ..... D10/70
- D. 313,361 1/1991 Robinson ..... D10/70

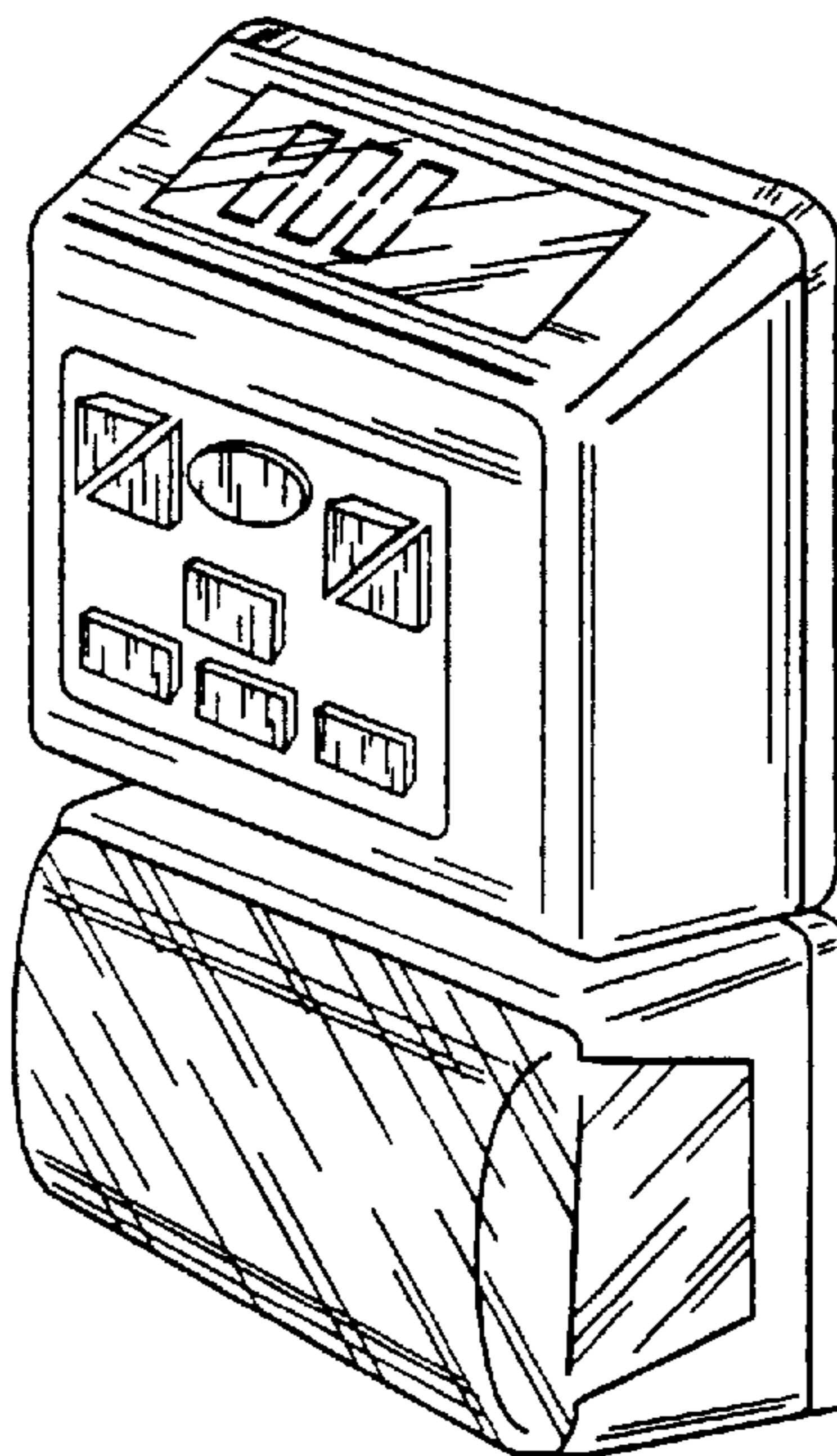
*Primary Examiner*—Antoine Duval Davis  
*Attorney, Agent, or Firm*—Felfe & Lynch

[57] **CLAIM**

The ornamental design for a flasher pedometer, as shown and described.

FIG. 1 shows a front view of the flasher pedometer of the invention;  
 FIG. 2 shows a rear view of the flasher pedometer of the invention;  
 FIG. 3 shows a view of the flasher pedometer of the invention taken from the left side of FIG. 1;  
 FIG. 4 shows a view of the flasher pedometer of the invention taken from the right side of FIG. 1;  
 FIG. 5 shows a bottom view of the flasher pedometer as shown in FIG. 1;  
 FIG. 6 shows a top view of the flasher pedometer as shown in FIG. 1;  
 FIG. 7 is a perspective view of the flasher pedometer of the invention;  
 FIG. 8 shows a perspective view of the flasher pedometer of the invention wherein the flasher portion is detached from the pedometer portion;  
 FIG. 9 is a view of the bottom of the detached flasher pedometer portion shown in FIG. 8;  
 FIG. 10 is a top view of the detached flasher portion shown in FIG. 8;  
 FIG. 11 is a perspective view of the back of the pedometer; and,  
 FIG. 12 is a perspective back view of the bottom of the detached pedometer portion.

**1 Claim, 3 Drawing Sheets**



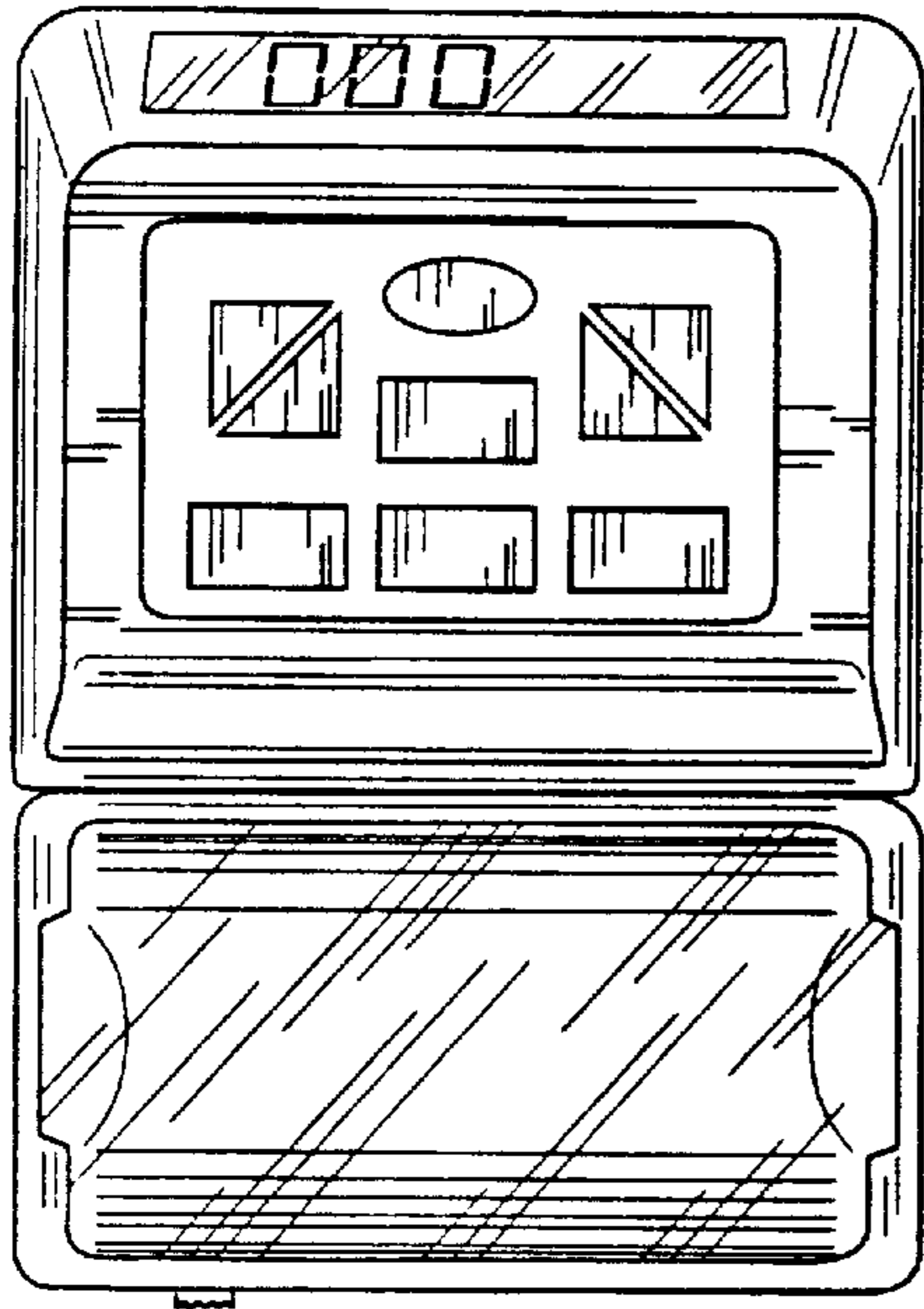


Fig. 1

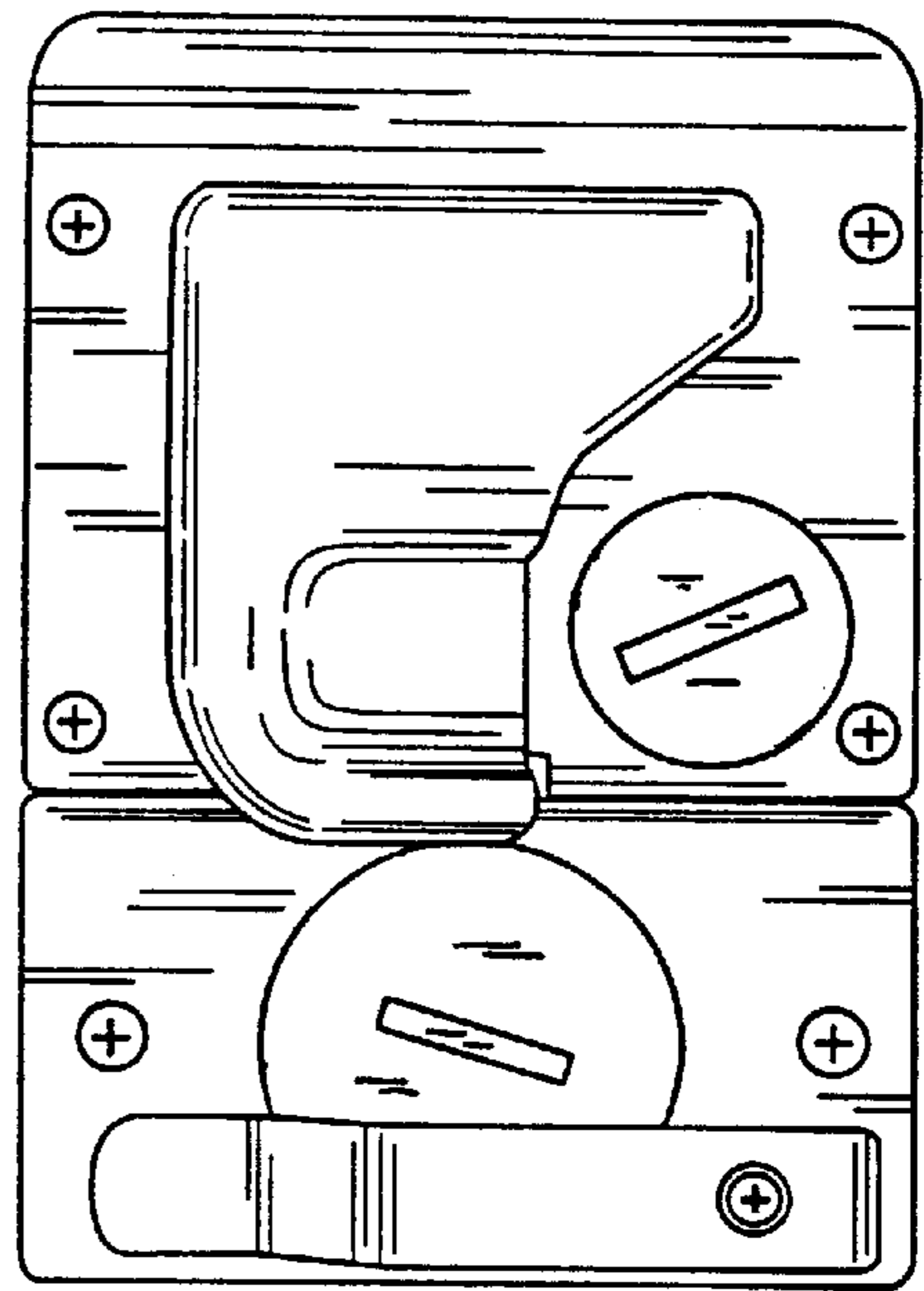


Fig. 2

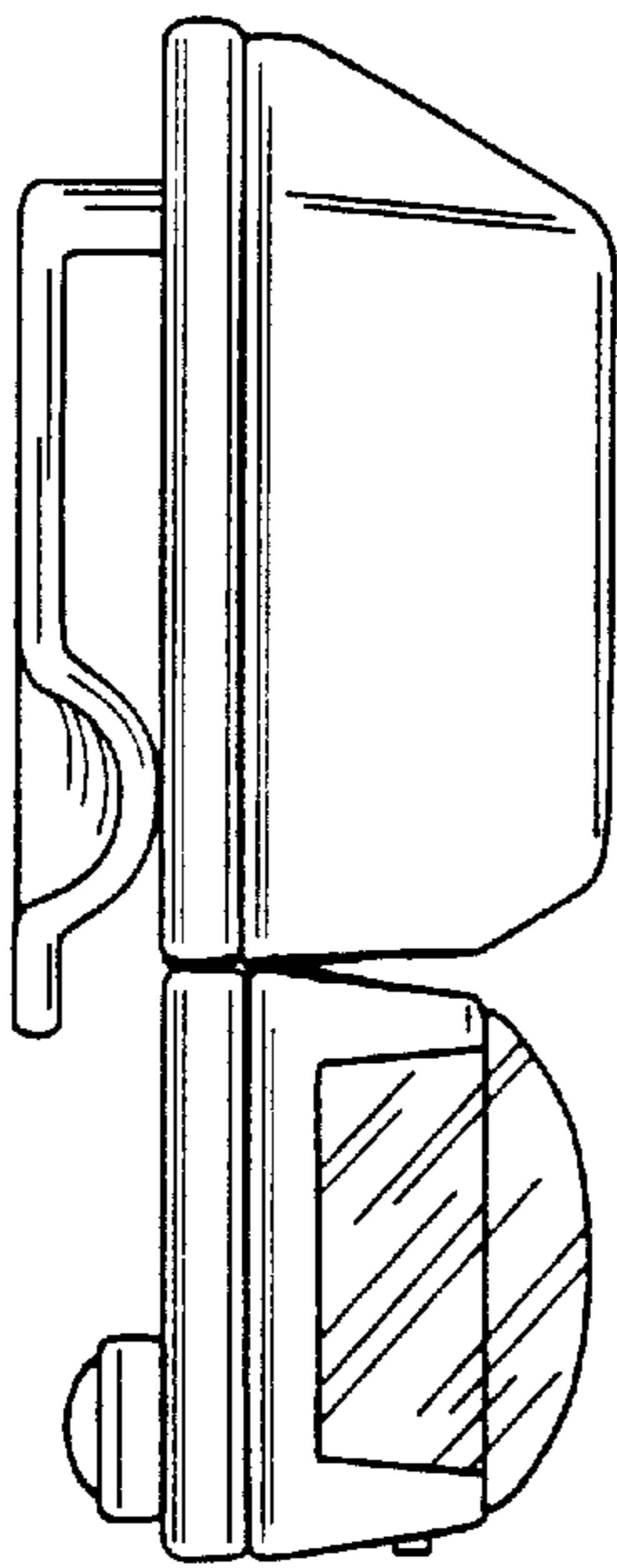


Fig. 3

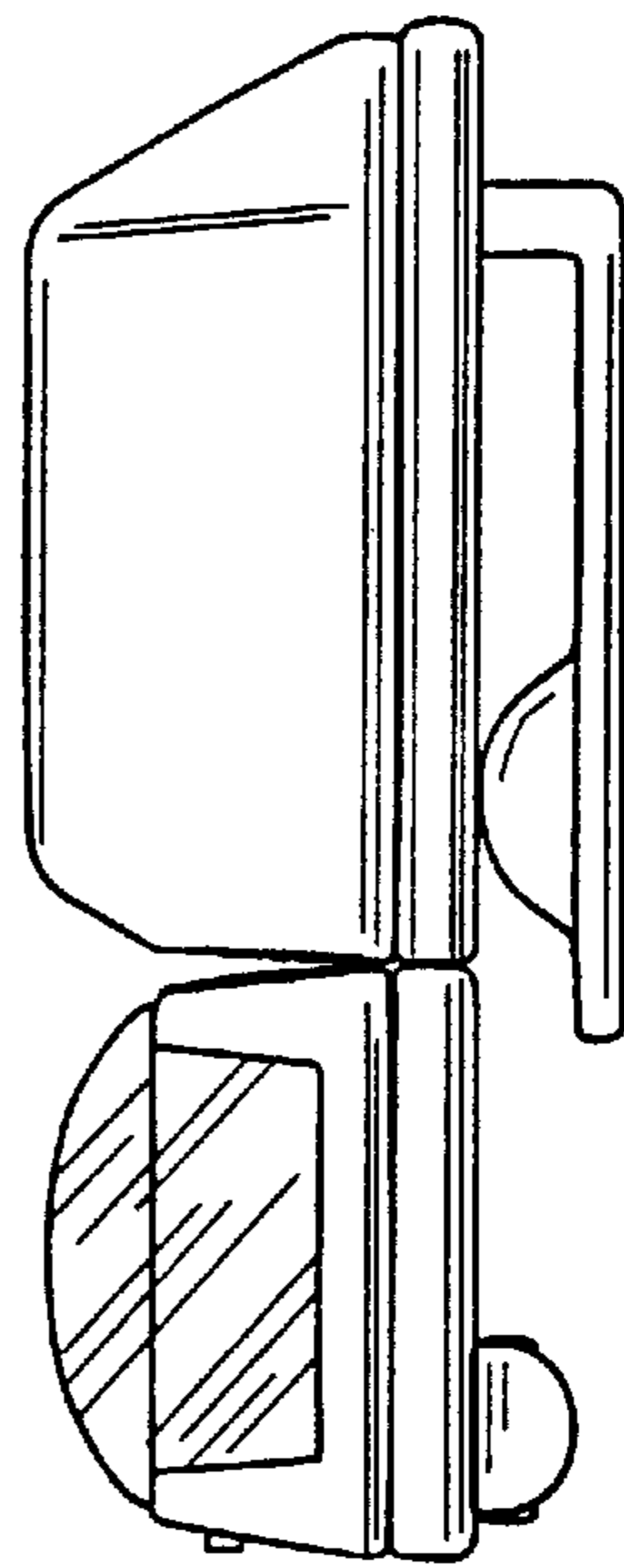


Fig. 4

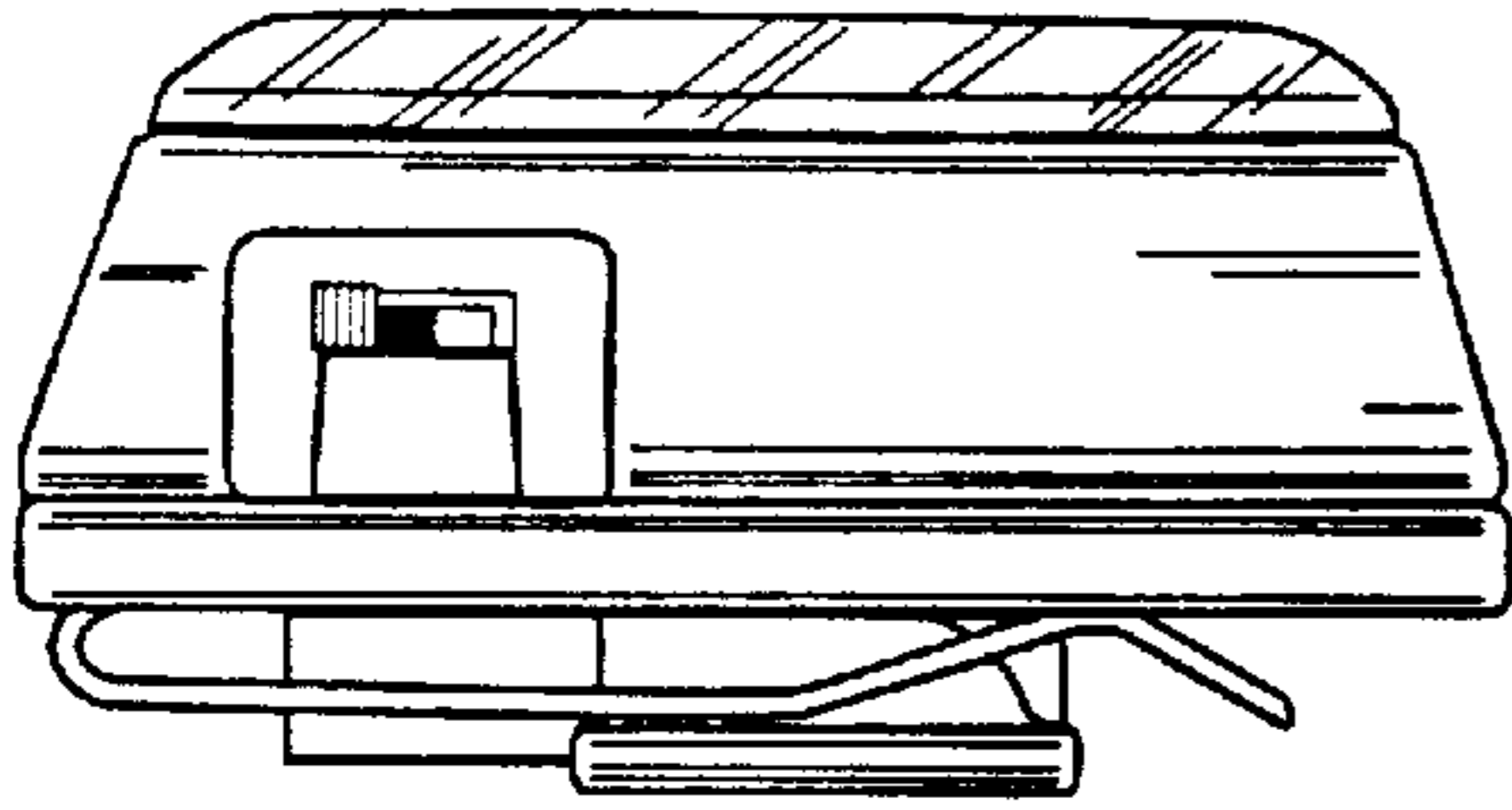


Fig. 5

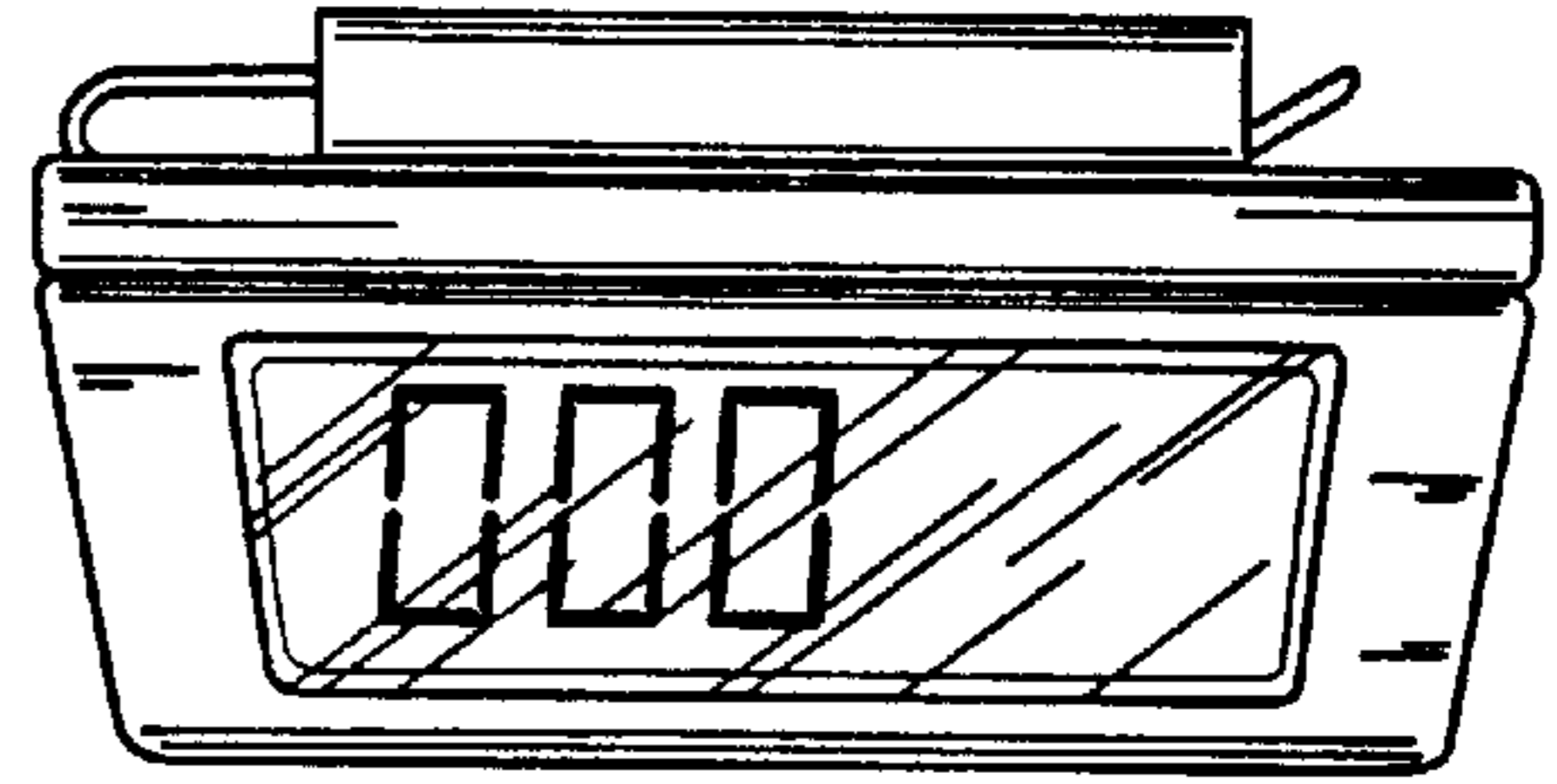


Fig. 6

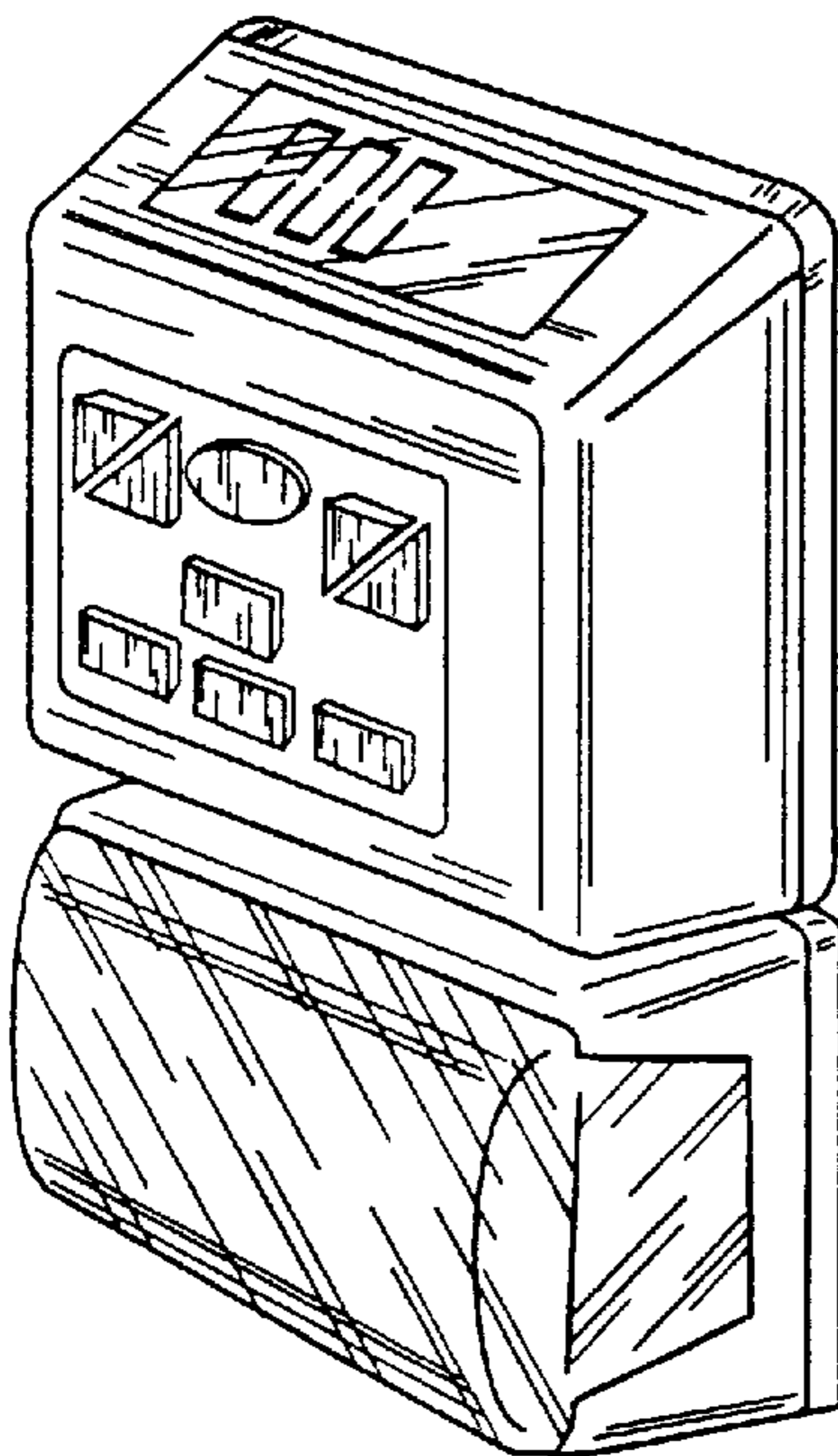


Fig. 7

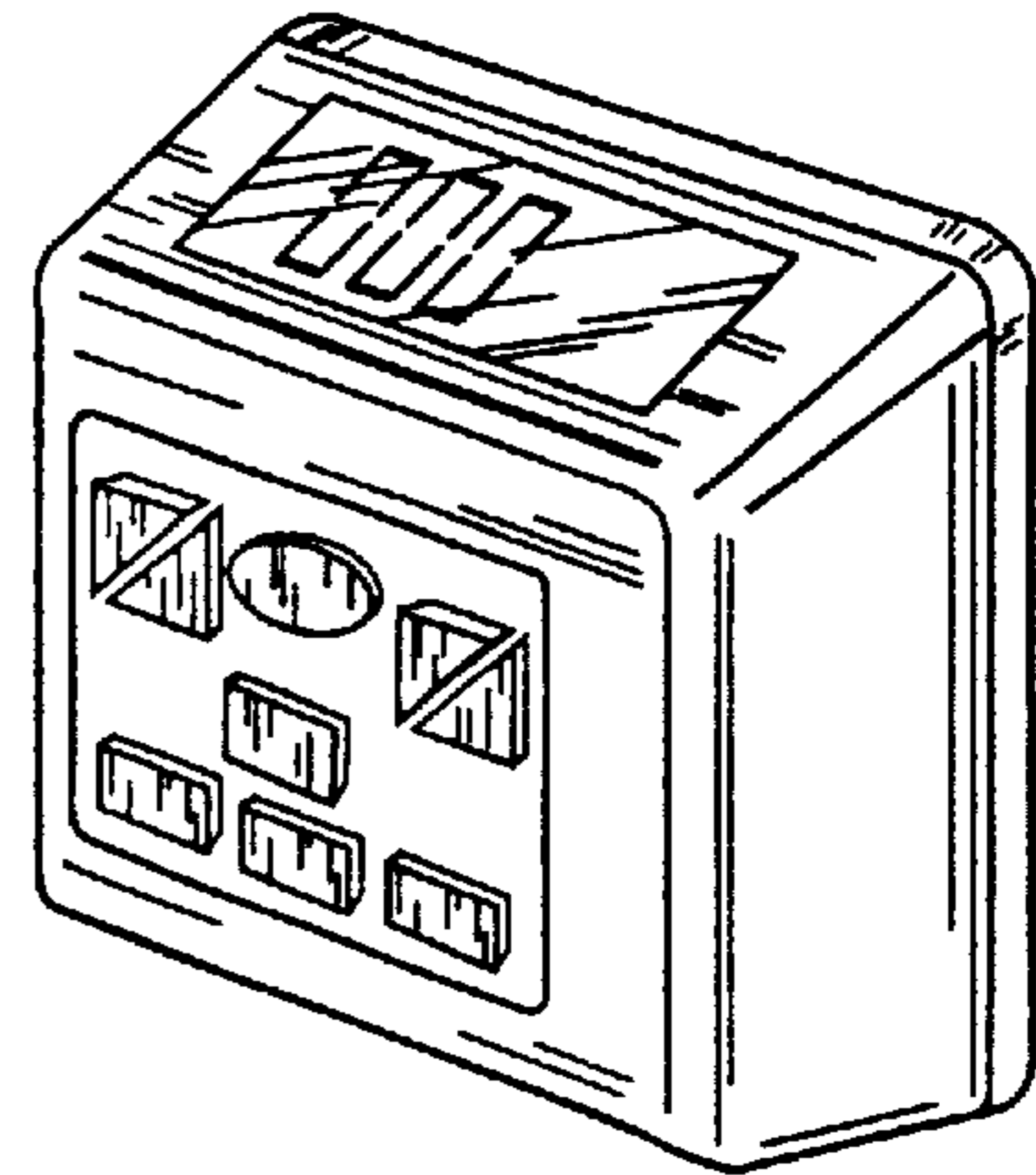


Fig. 8

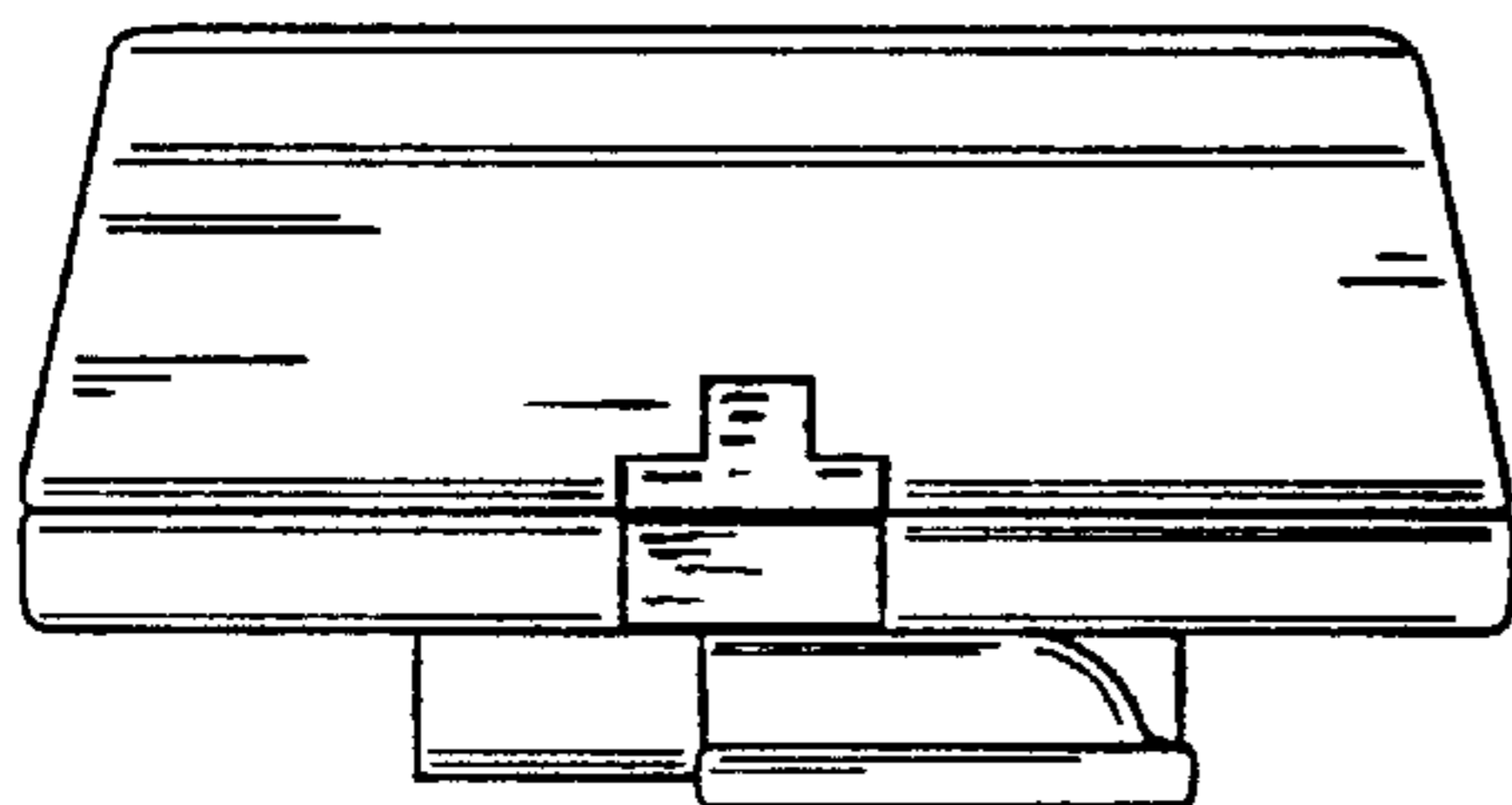
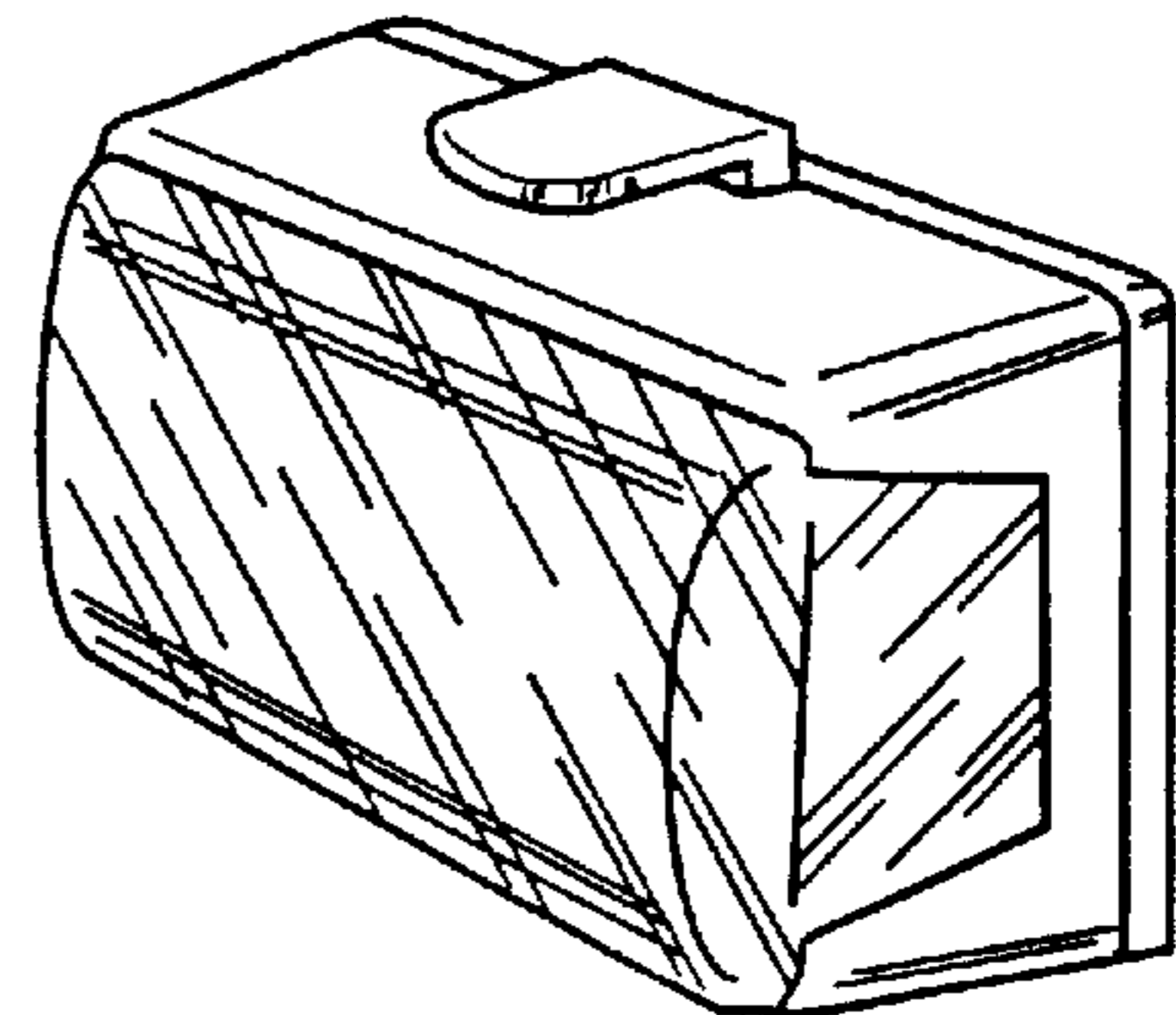


Fig. 9

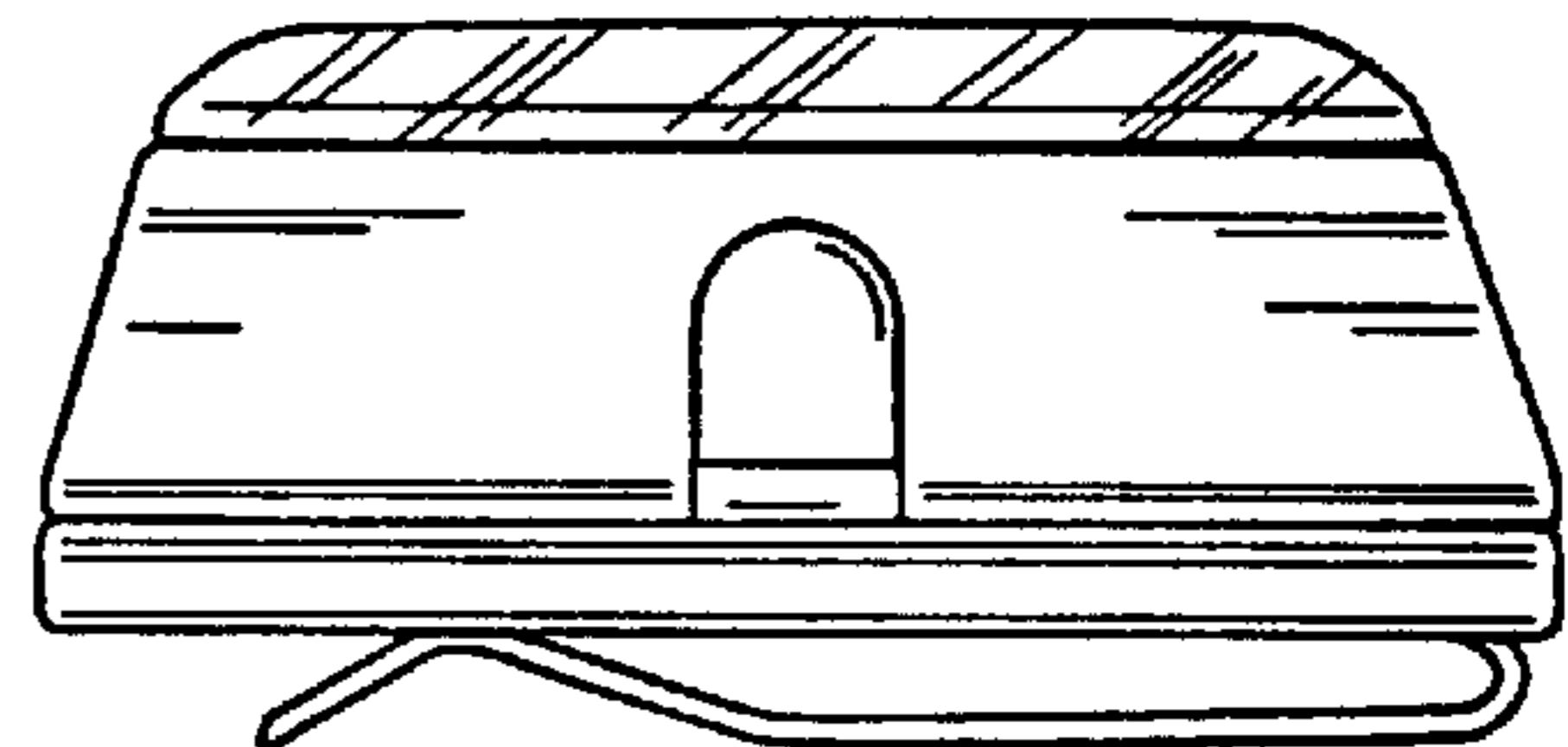


Fig. 10

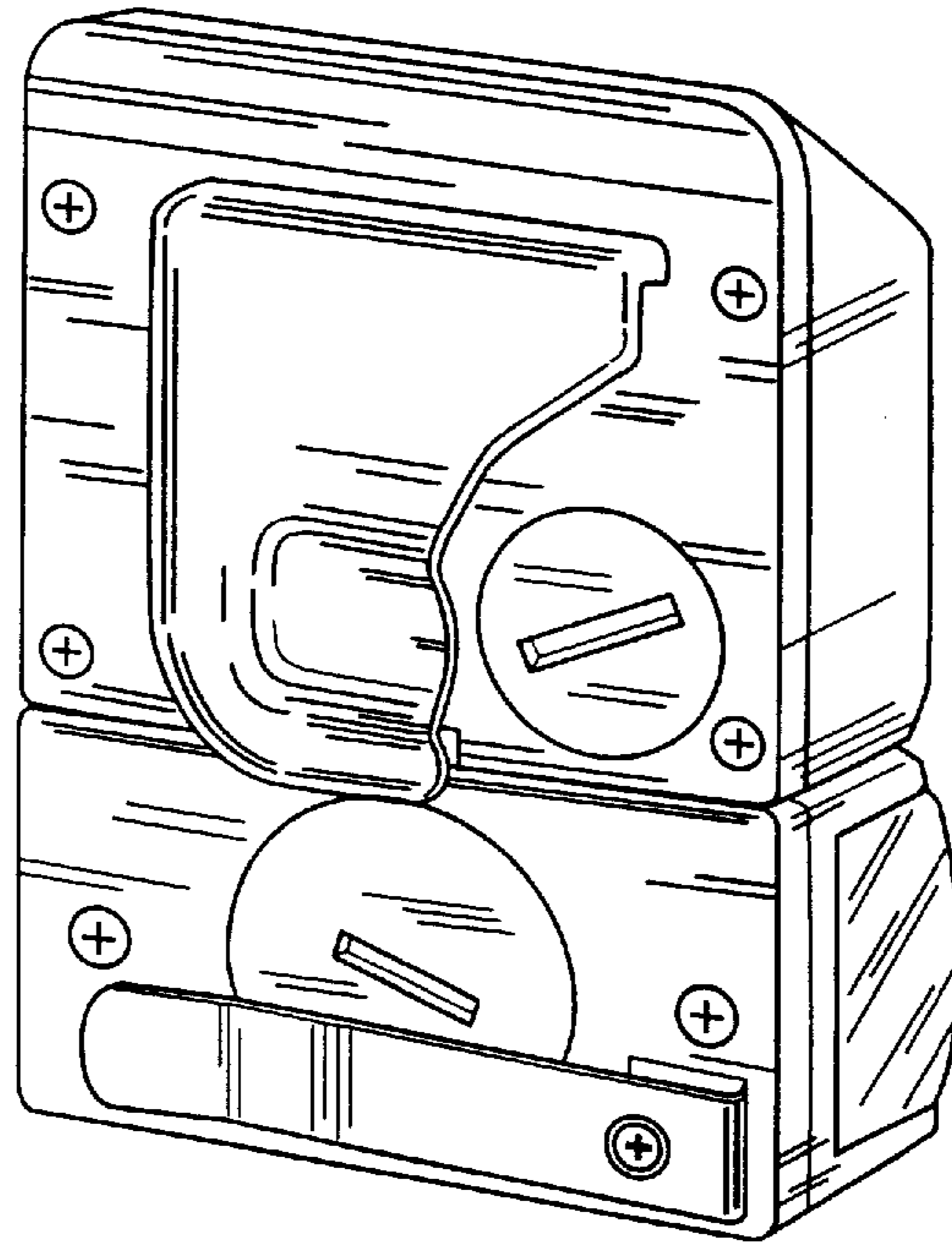


Fig. 11

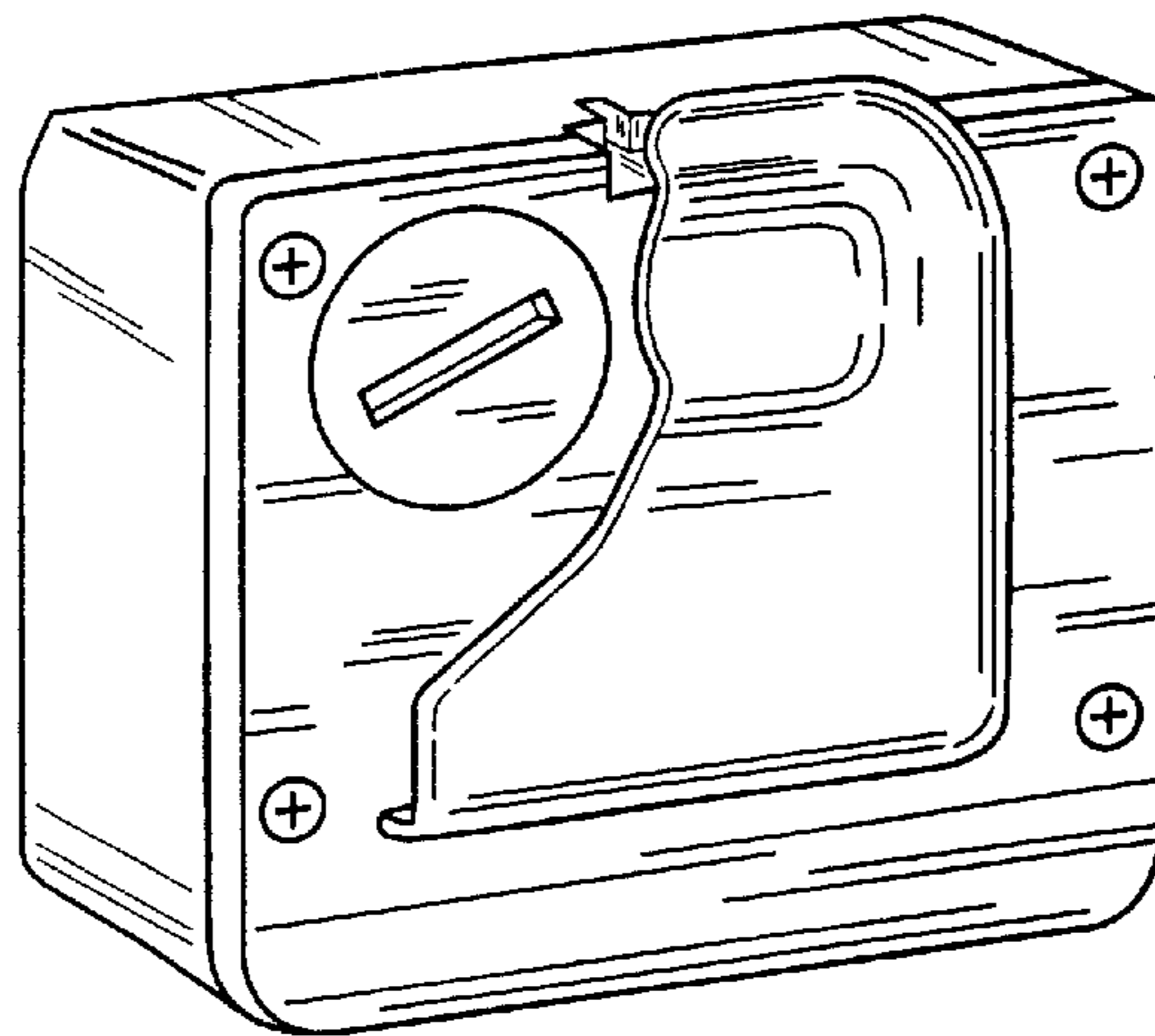


Fig. 12