



US00D398252S

# United States Patent [19]

Hagen et al.

[11] **Patent Number: Des. 398,252**

[45] **Date of Patent: \*\*Sep. 15, 1998**

[54] **BUILDING SQUARE**

1,838,607 12/1931 Zerbel ..... 33/429

[76] Inventors: **Ernest L. Hagen**, 4247 H. D. Atha Rd.;  
**Bobby D. Denton**, 4367 H. D. Atha Rd., both of Covington, Ga. 30209;  
**Wayne G. Anderson, Jr.**, 790 Winnbrook Dr., Dacula, Ga. 30211;  
**Ron Hodge**, 6201 Yorktown Ct., Flowery Branch, Ga. 30542

*Primary Examiner*—Antoine Duval Davis

[57] **CLAIM**

The ornamental design for the building square, as shown and described.

[\*\*] Term: **14 Years**

**DESCRIPTION**

[21] Appl. No.: **44,731**

FIG. 1 is an isometric view of the building square in accordance with the present design;  
FIG. 2 is a top plan view in full open position of said the building square;  
FIG. 3 is a top plan view in a full closed storage position of said the building square;  
FIG. 4 is a top plan view showing movement of said the building square;  
FIG. 5 is a top plan view showing final closure movement of said the building square; and,  
FIG. 6 is a bottom plan view . This is essentially a mirror image of the top plan view shown in FIG. 1.

[22] Filed: **Sep. 18, 1995**

[51] **LOC (6) Cl.** ..... **10-04**

[52] **U.S. Cl.** ..... **D10/65**

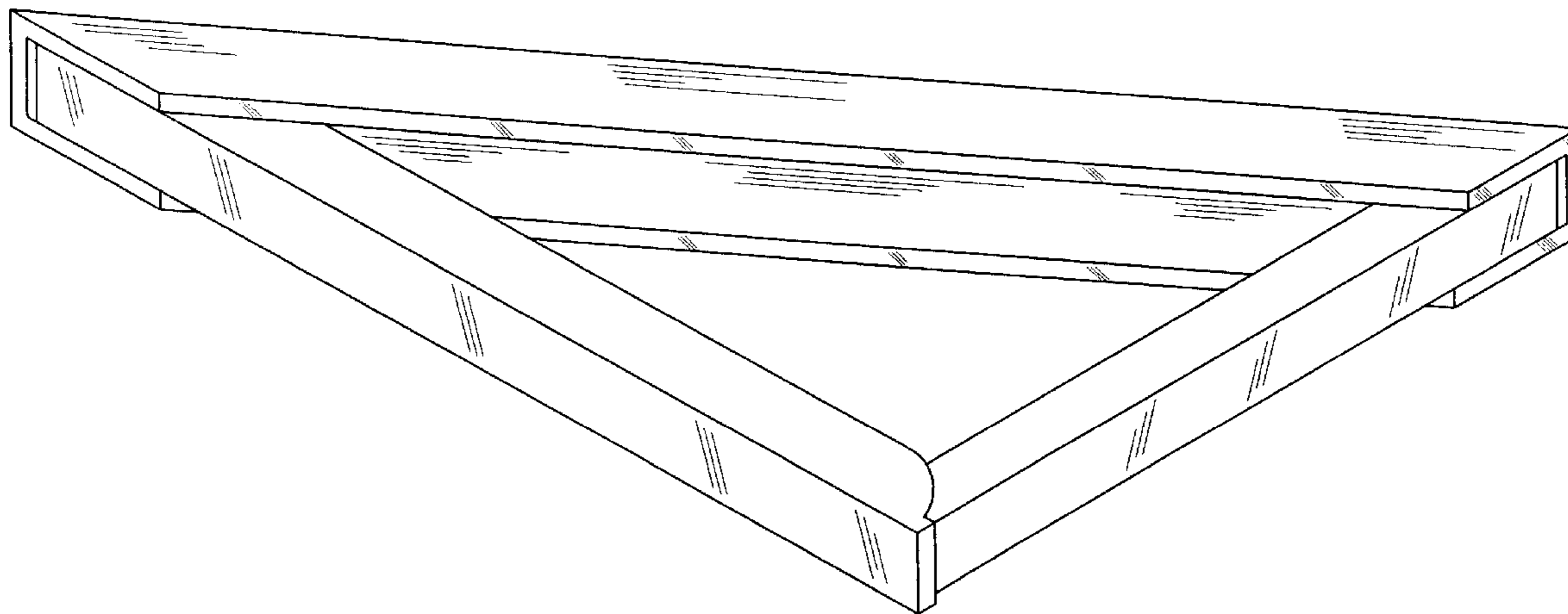
[58] **Field of Search** ..... D10/65; 33/418-429

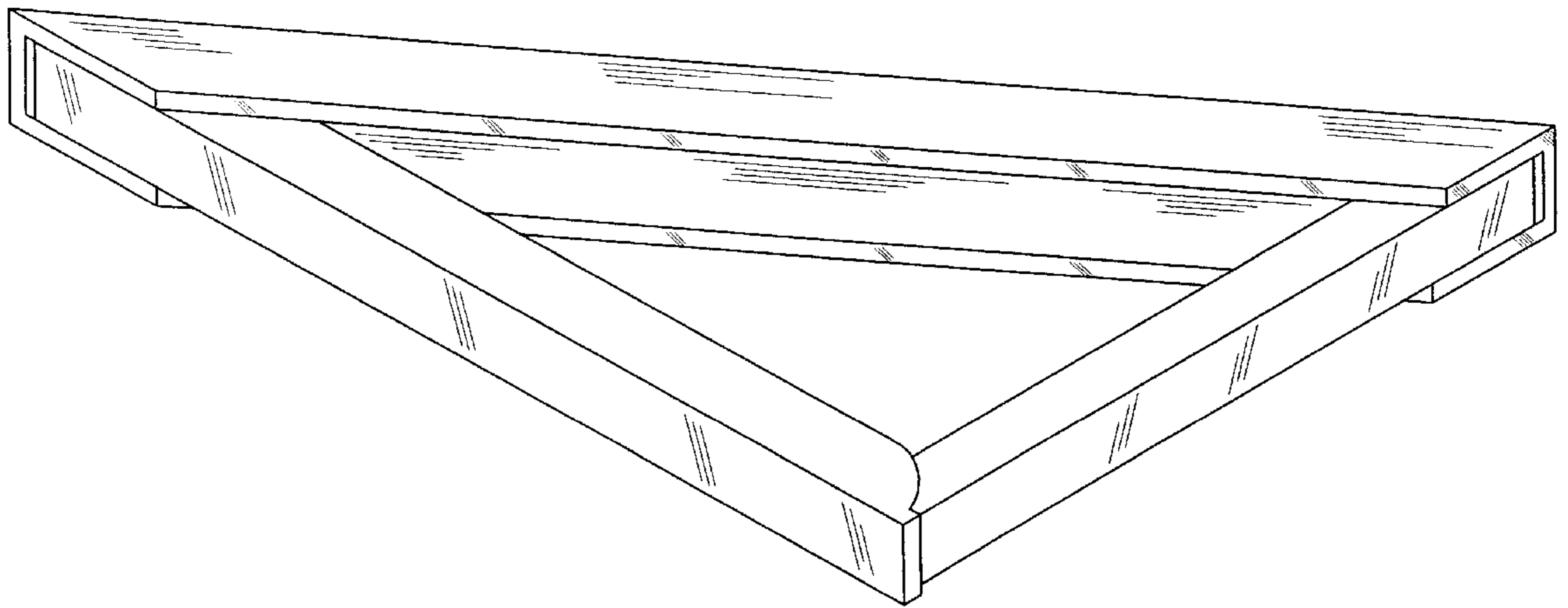
[56] **References Cited**

**U.S. PATENT DOCUMENTS**

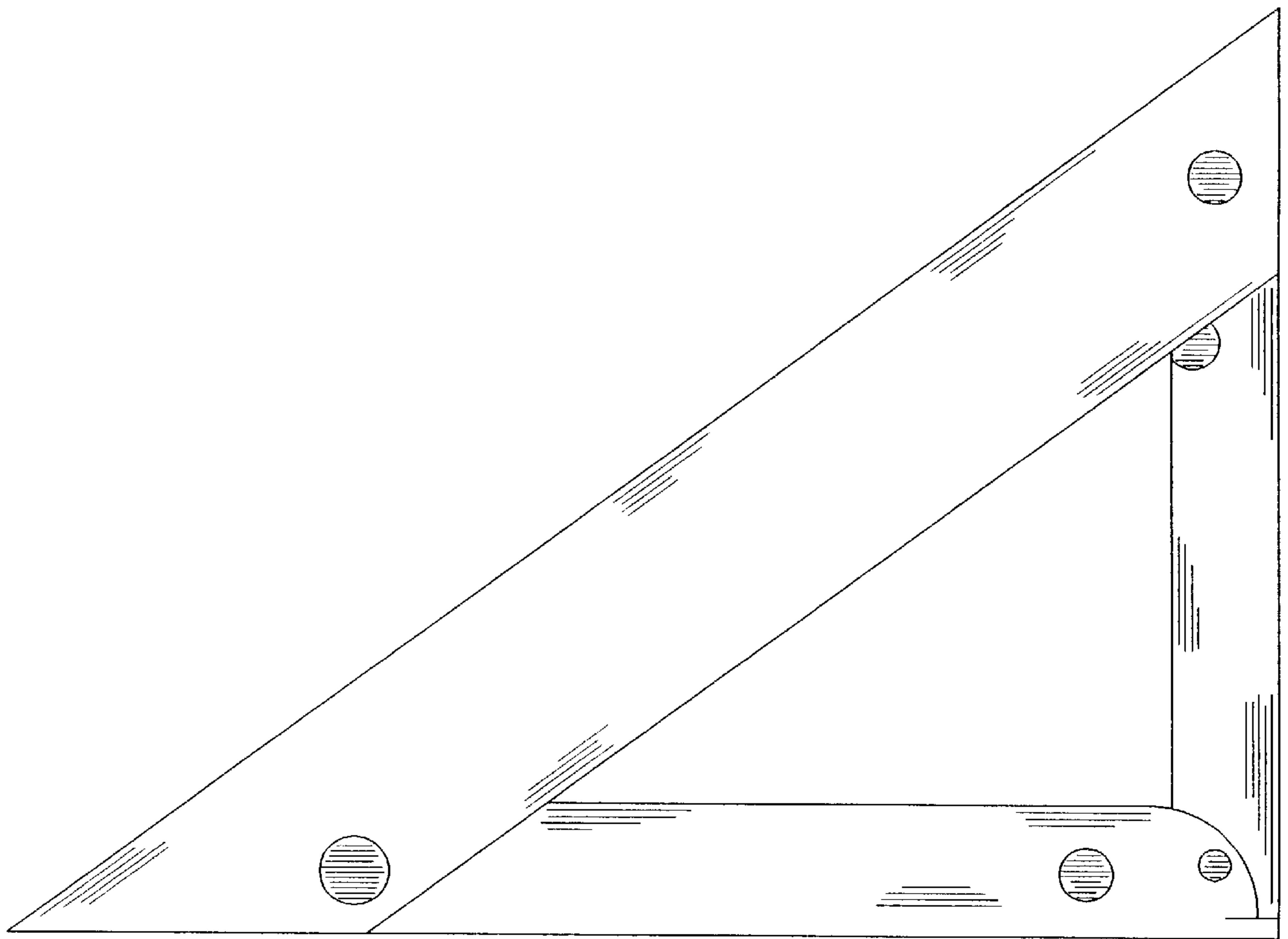
233,618 10/1880 Herzog ..... D10/65 X

**1 Claim, 6 Drawing Sheets**

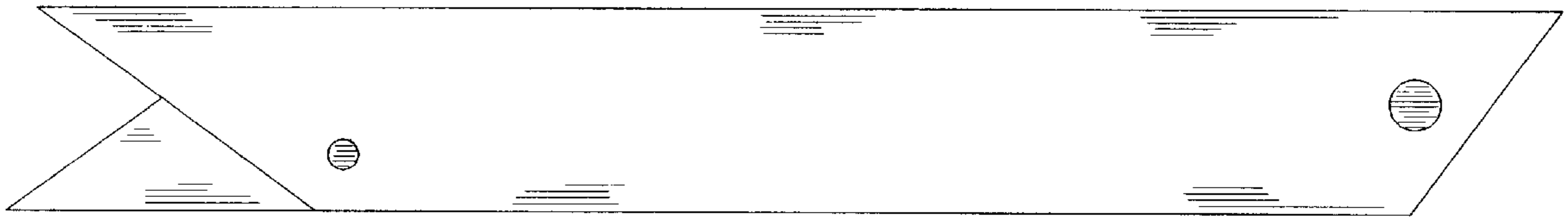




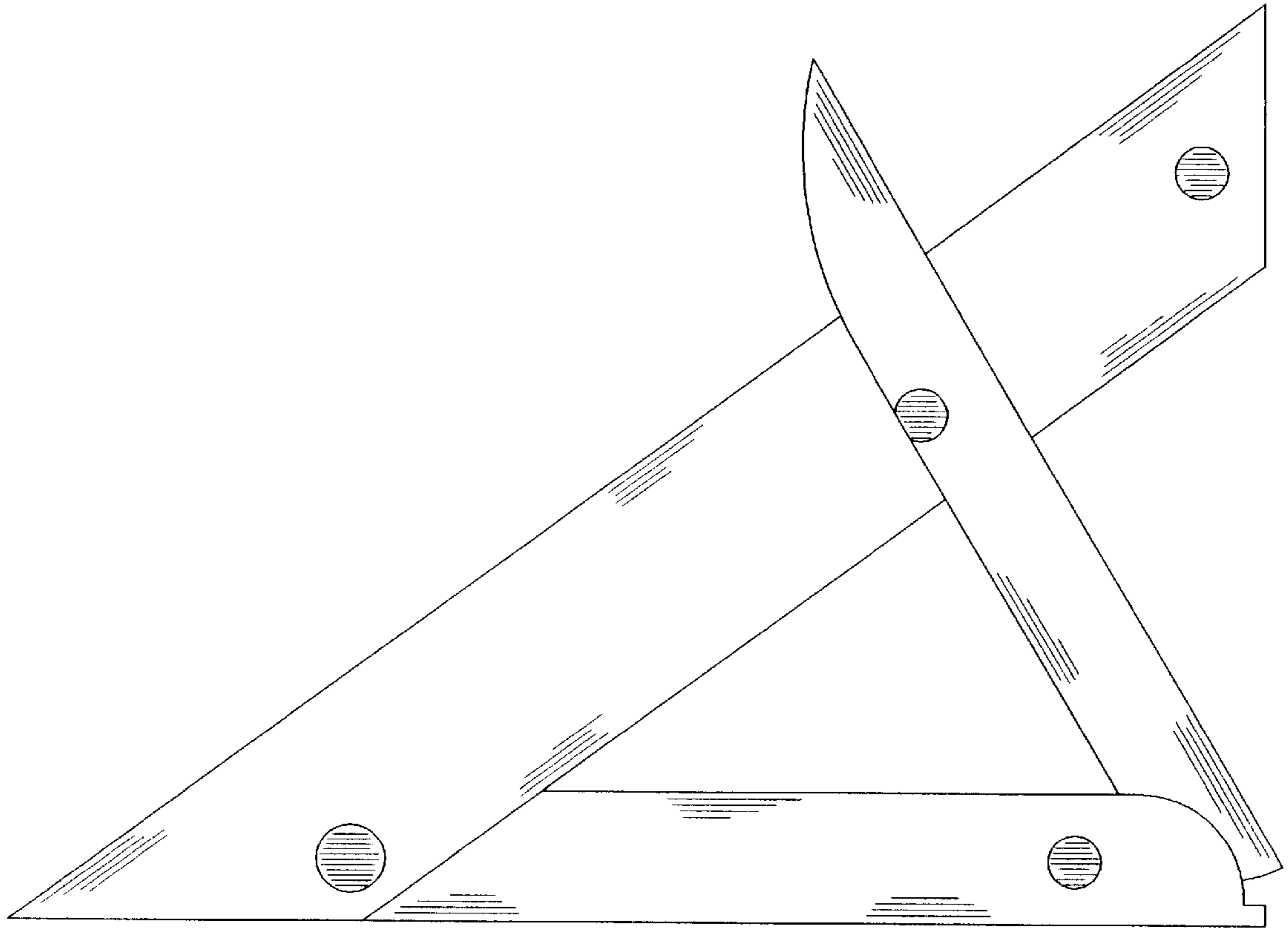
**FIGURE 1**



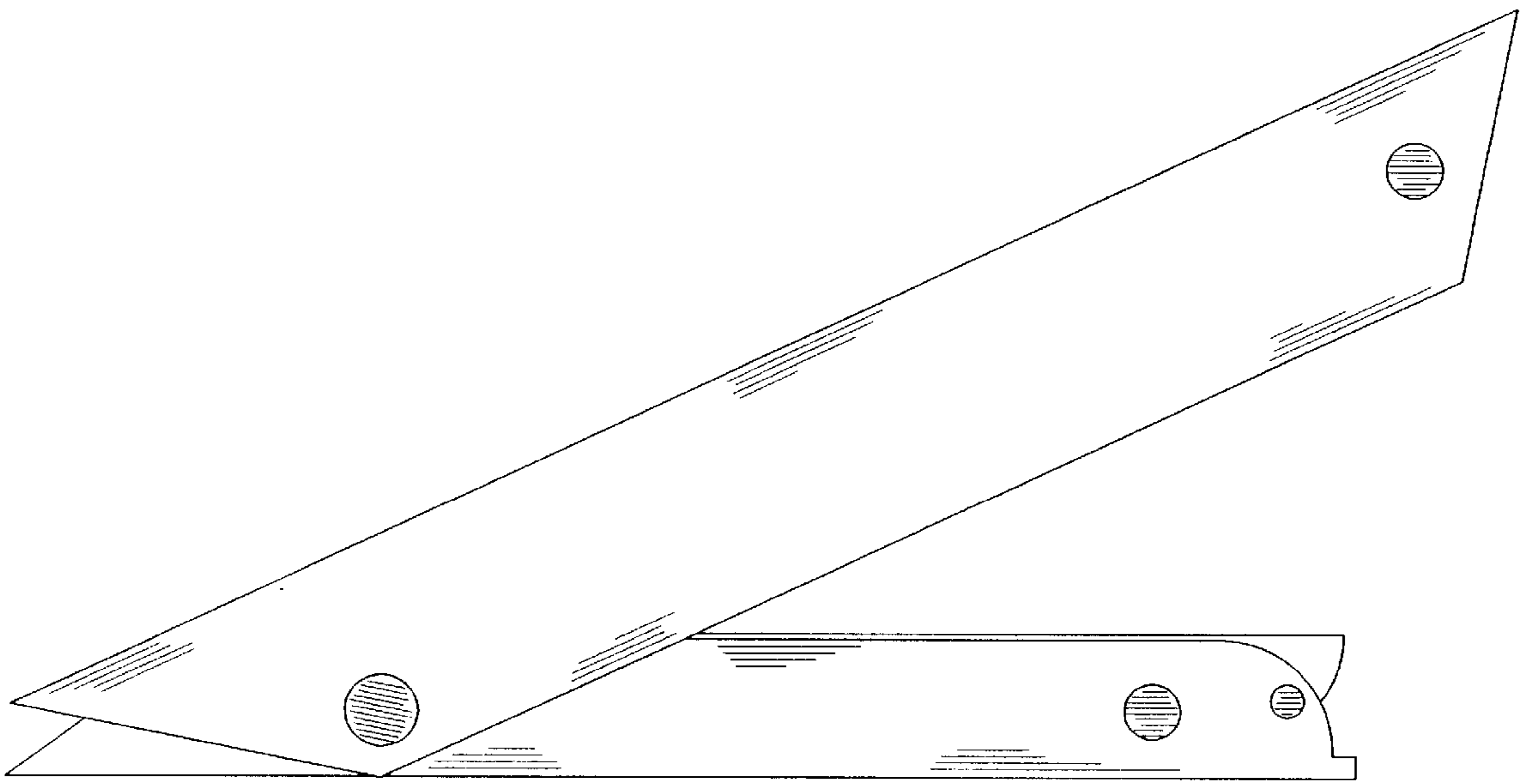
**FIGURE 2**



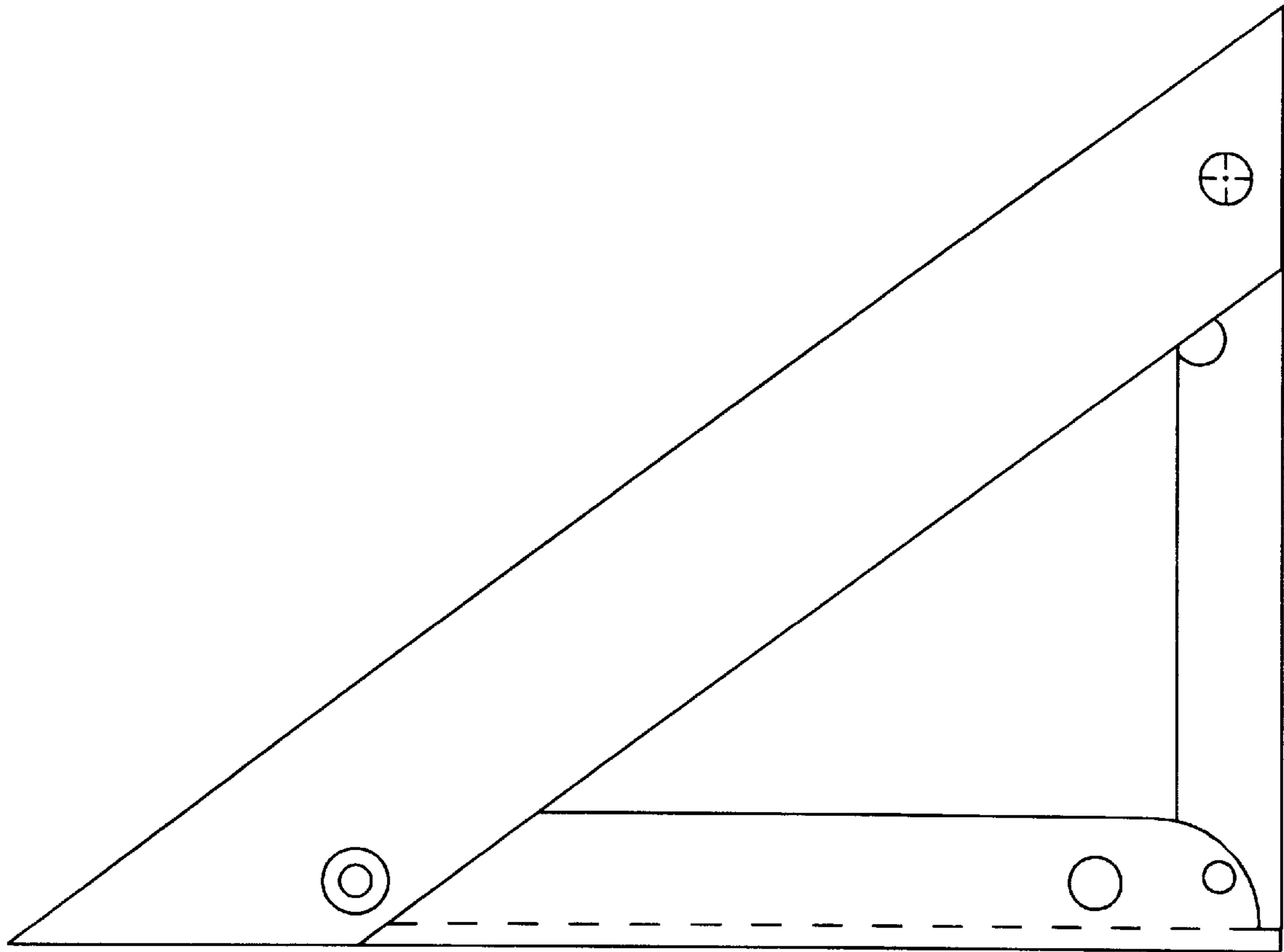
**FIGURE 3**



**FIGURE 4**



**FIGURE 5**



**FIGURE 6**