



US00D398251S

United States Patent [19] Martinez

[11] **Patent Number: Des. 398,251**

[45] **Date of Patent: **Sep. 15, 1998**

[54] **NOVELTY CIGAR GAUGE AND MEASURING APPARATUS**

[76] Inventor: **Nelson Francis Martinez**, 8395 Westmore Rd. #6, S.D., Calif. 92126

[**] Term: **14 Years**

[21] Appl. No.: **76,649**

[22] Filed: **Sep. 15, 1997**

[51] **LOC (6) Cl. 10-04**

[52] **U.S. Cl. D10/64**

[58] **Field of Search D10/64, 65; 33/363, 33/365, 366**

[56] **References Cited**

U.S. PATENT DOCUMENTS

- D. 232,659 9/1974 Canteron D10/64
- D. 378,743 4/1997 McDonald .
- 5,501,019 3/1996 Concari .
- 5,509,212 4/1996 Henricksen 33/565
- 5,617,644 4/1997 Bonelli .

OTHER PUBLICATIONS

Blue Moon Concepts, Proposed Conceptual Advertisement for "Cigar-O-Gauge", Copyright 1997, San Diego, CA.
Marvin Shanken, Cigar Aficionado's World of Cigars, Flat Paper Product Pullout Insert Titled "Ring Gauge Guide and Ruler", Sep. 1996, Running Press, Philadelphia, PA.

Primary Examiner—Antoine Duval Davis

[57] **CLAIM**

The ornamental design for a novelty cigar gauge and measuring apparatus, as shown.

DESCRIPTION

FIG. 1 is a top perspective view of my new design for a novelty cigar gauge and measuring apparatus in accordance with the present invention;

FIG. 2 is a top plan view thereof;

FIG. 3 is a side elevational view thereof;

FIG. 4 is another side elevational view opposite to that shown in FIG. 3 thereof;

FIG. 5 is a bottom plan view thereof;

FIG. 6 is an end elevational view thereof; and,

FIG. 7 is another end elevational view opposite to that shown in FIG. 6.

1 Claim, 3 Drawing Sheets

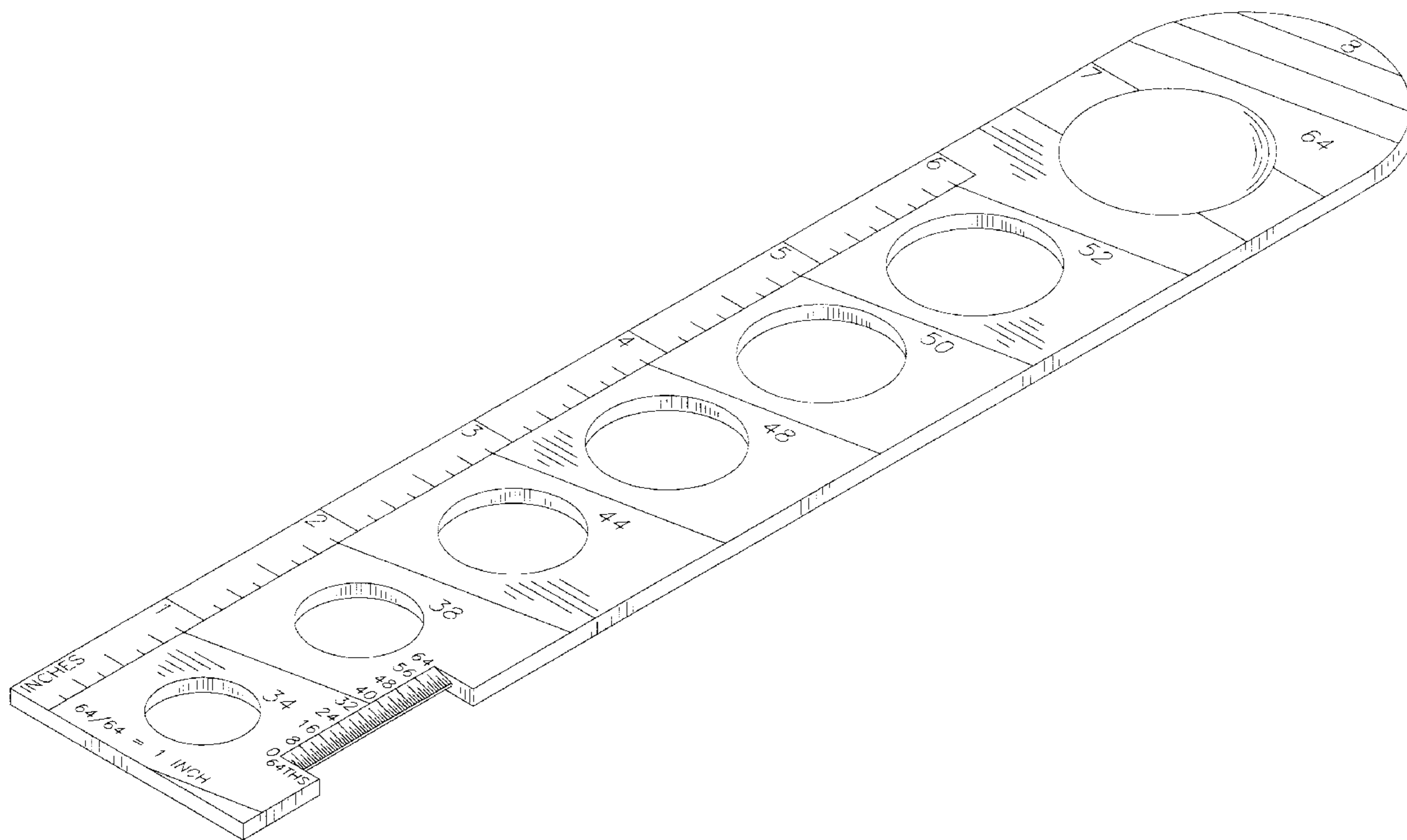


FIG. 1

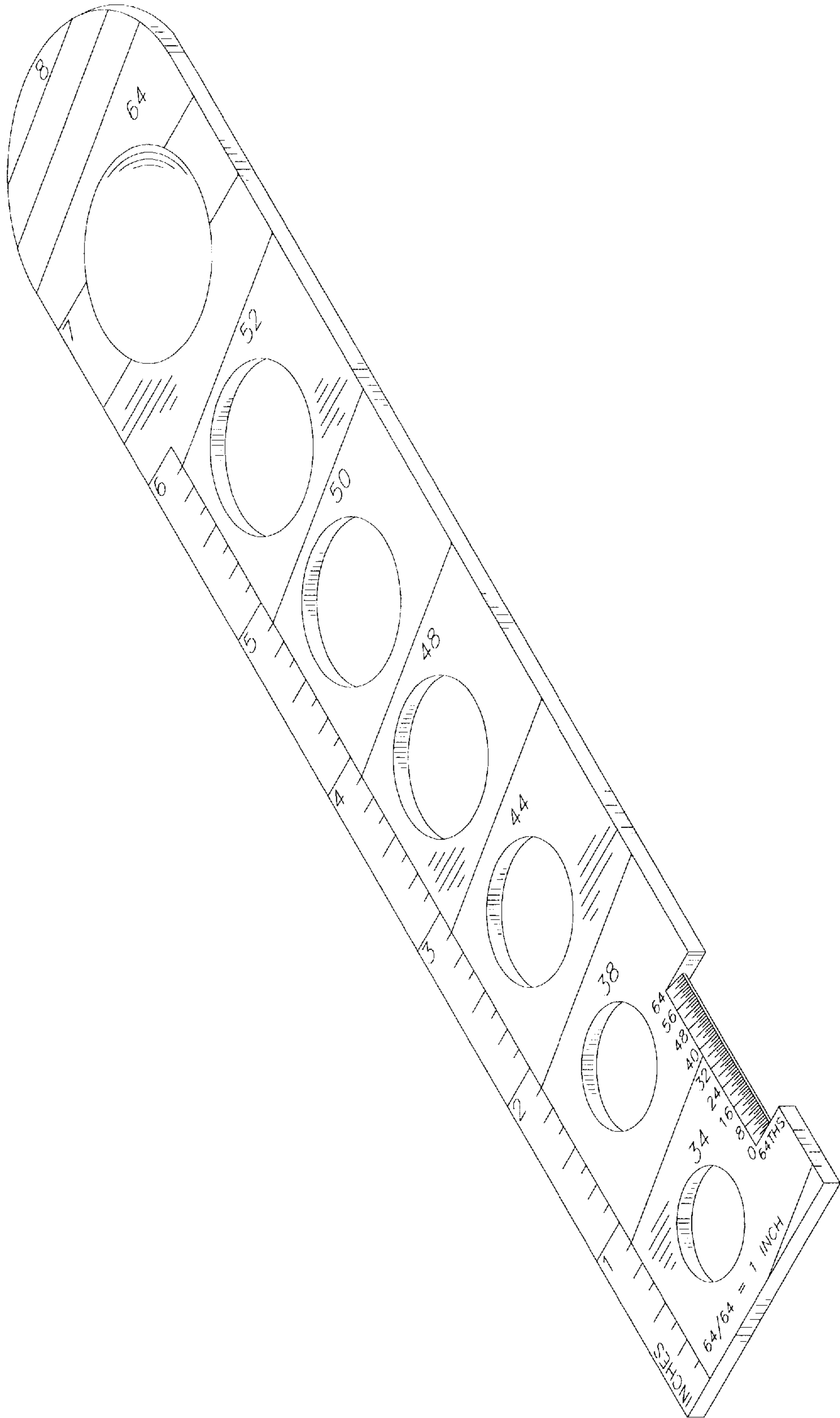


FIG. 2

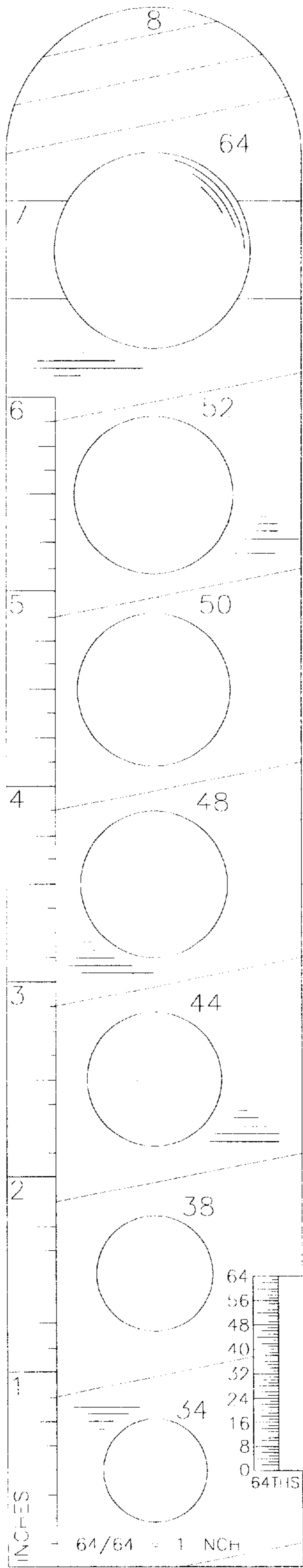


FIG. 3



FIG. 4



FIG. 5

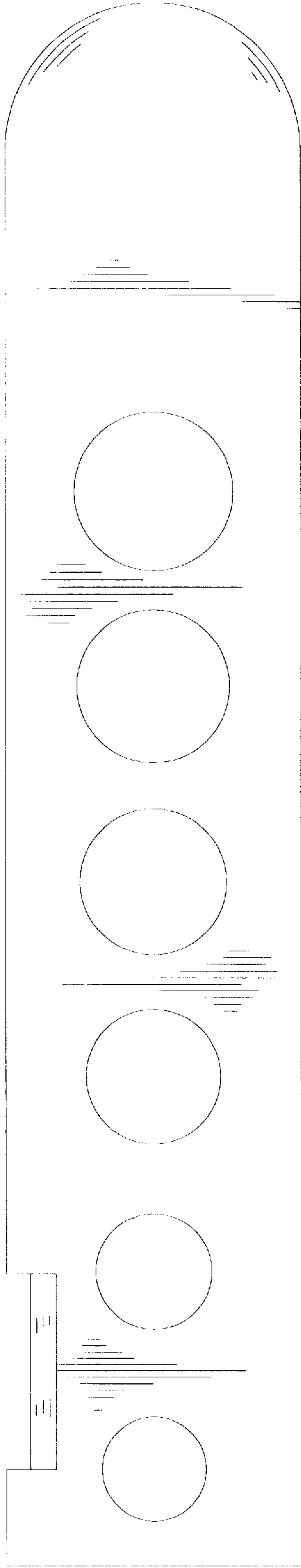


FIG. 6

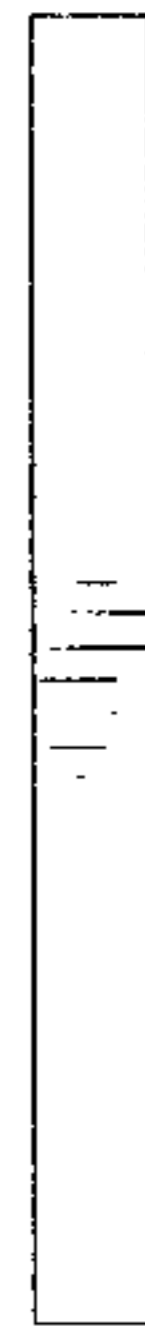


FIG. 7

