



US00D398233S

United States Patent [19]

Wood

[11] Patent Number: Des. 398,233

[45] Date of Patent: **Sep. 15, 1998

[54] SNAP-ON POUR SPOUT FOR CANS OR BOTTLES

[76] Inventor: C. Deane Williams Wood, R.R. 3, Box A-2, Dublin, Tex. 76446

[**] Term: 14 Years

[21] Appl. No.: 35,533

[22] Filed: Mar. 1, 1995

[51] LOC (6) Cl. 09-07

[52] U.S. Cl. D9/447

[58] Field of Search D7/391, 398, 629; D9/434-6, 440, 447, 449, 454, 528; D32/53-4; 215/228, 298, 317; 220/294, 700-1, 733; 222/566, 568, 570-1

[56] **References Cited**

U.S. PATENT DOCUMENTS

D. 26,539	1/1897	Schram	D9/447
D. 206,971	2/1967	Williams	D9/447
D. 212,319	10/1968	Hills	D9/528
D. 221,513	8/1971	Leary et al.	D9/528
D. 221,514	8/1971	Leary et al.	D9/528
D. 241,125	8/1976	Knapp	D9/447
D. 264,308	5/1982	Campbell	D9/528
D. 309,421	7/1990	Aldrich, III	D9/528
D. 360,579	7/1995	Accarias	D9/447
3,645,262	2/1972	Harrigan	222/570
4,014,465	3/1977	Ritter	222/563
4,022,344	5/1977	Roamer	220/4 A
4,353,489	10/1982	Arnold et al.	222/570

4,433,800	2/1984	Owens	222/547
4,736,874	4/1988	Durant	222/570
4,852,775	8/1989	Zordan	222/569
4,949,884	8/1990	Dahl	222/570
5,031,804	7/1991	Conrad	222/566
5,071,042	12/1991	Esposito	222/570
5,195,662	3/1993	Neff	222/108
5,267,675	12/1993	Cane	222/556

Primary Examiner—James Gandy
Assistant Examiner—Robert Spear
Attorney, Agent, or Firm—Goldstein & Associates

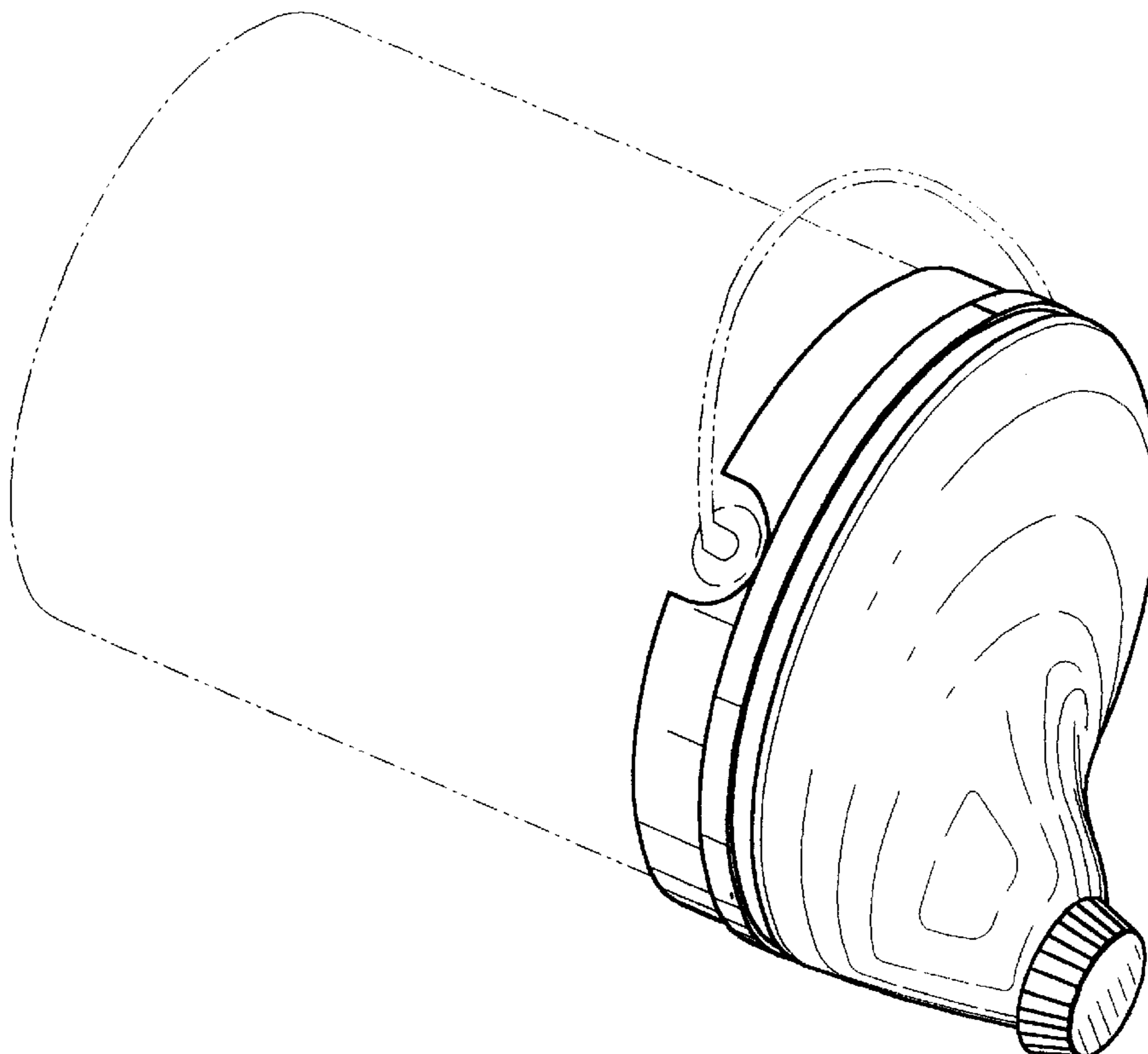
[57] **CLAIM**

The ornamental design for a snap-on pour spout for cans or bottles, as shown and described.

DESCRIPTION

FIG. 1 is an exploded perspective view of a snap-on pour spout for cans or bottles showing my new design; FIG. 2 is a front elevation thereof, shown with the spout closure removed for ease of illustration; FIG. 3 is a rear elevation thereof; FIG. 4 is a side view, the opposite side being a mirror image thereof; FIG. 5 is a top plan view thereof; FIG. 6 is a bottom plan view thereof; and, FIG. 7 is an assembled view of the snap-on pour spout for cans or bottles. The broken line showing of a container is for illustrative purposes only and forms no part of the claimed design.

1 Claim, 2 Drawing Sheets



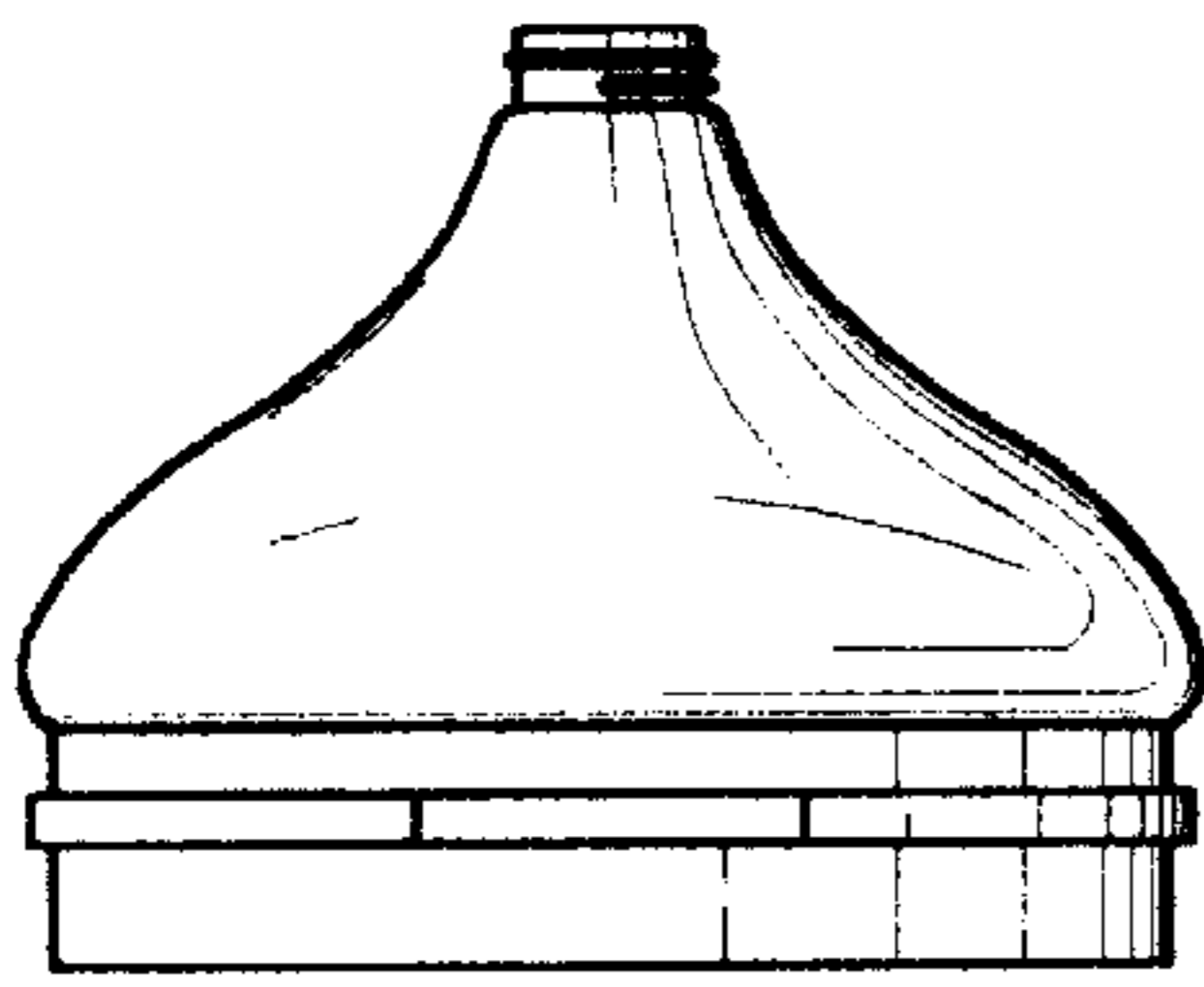
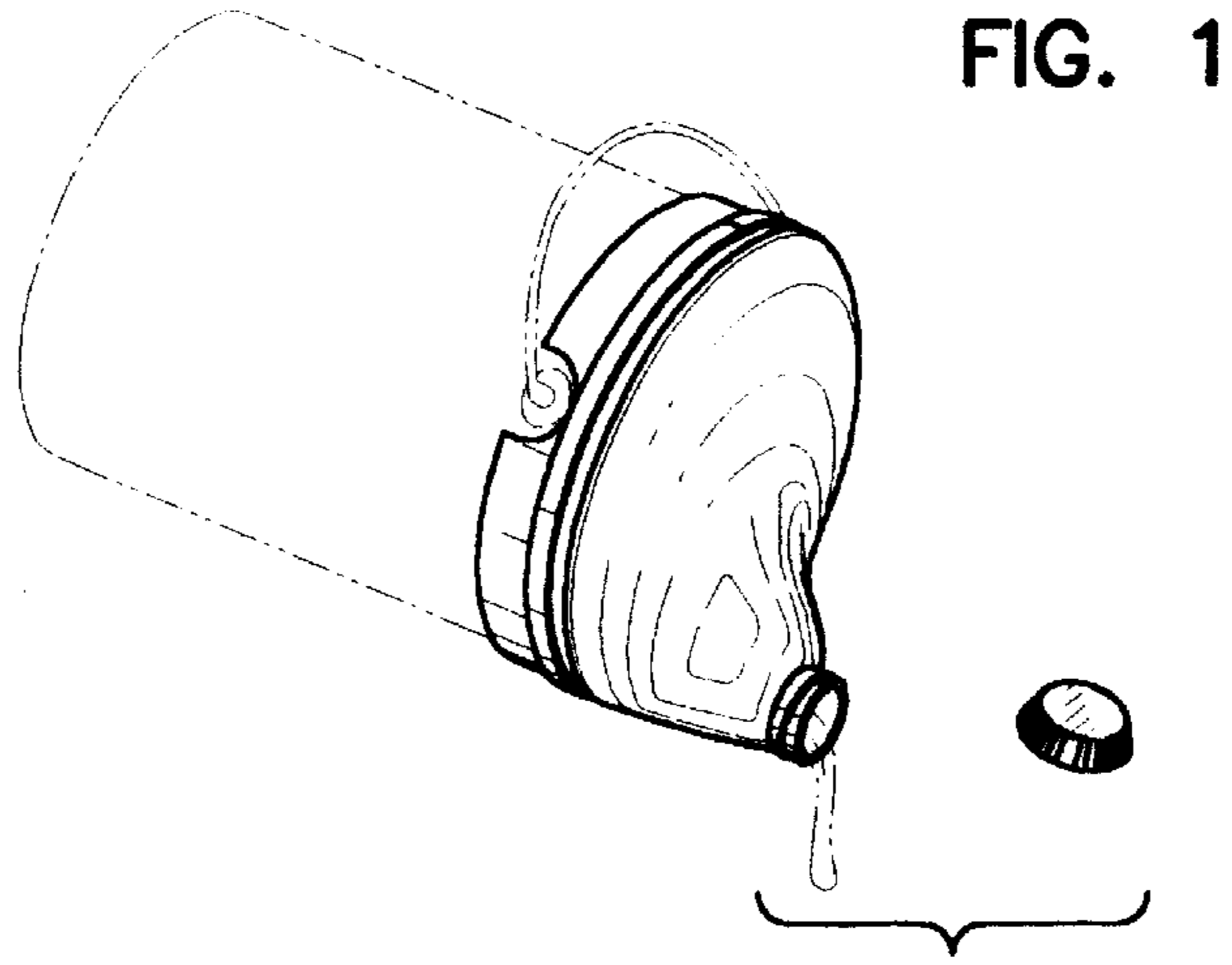


FIG. 2

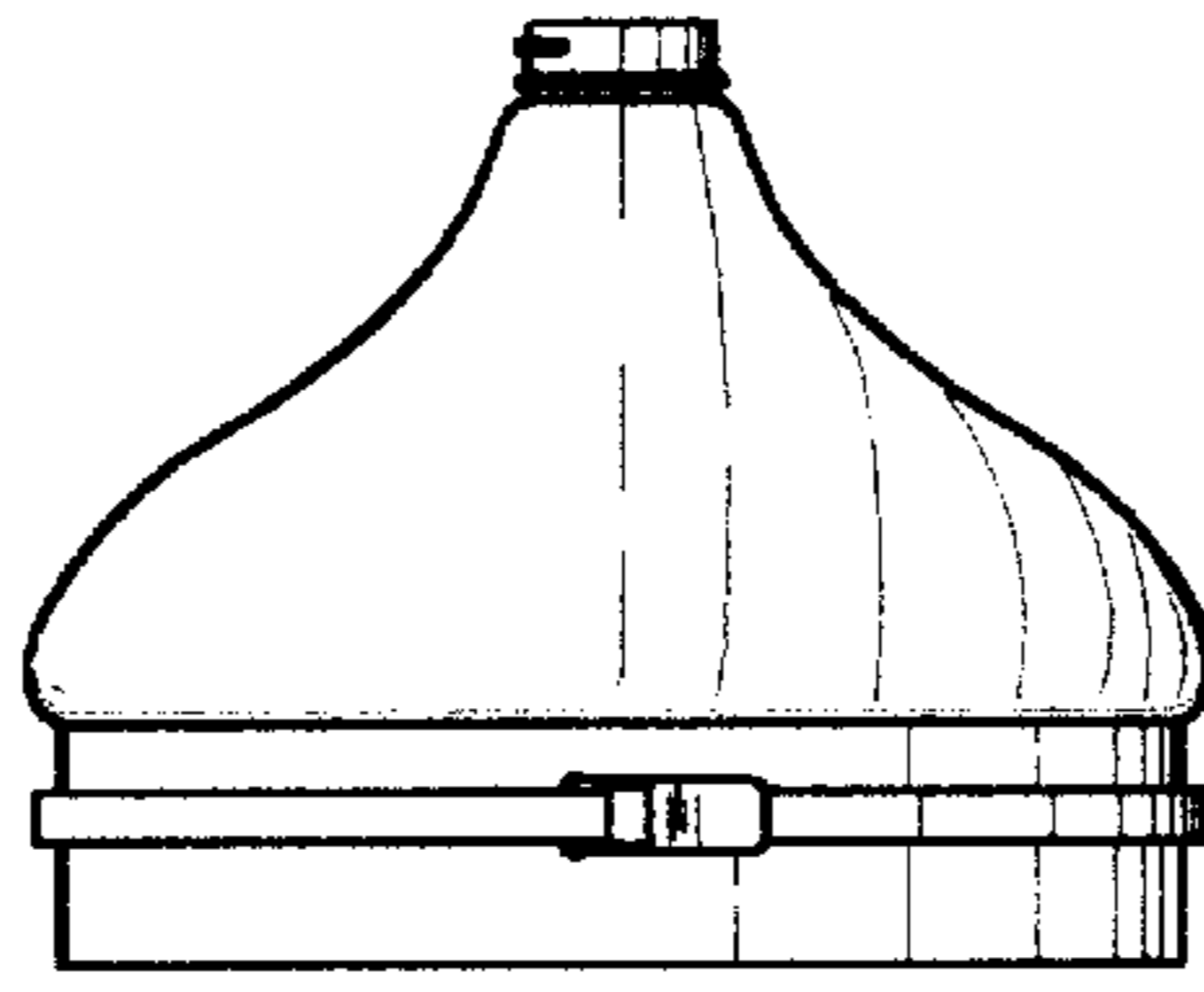


FIG. 3

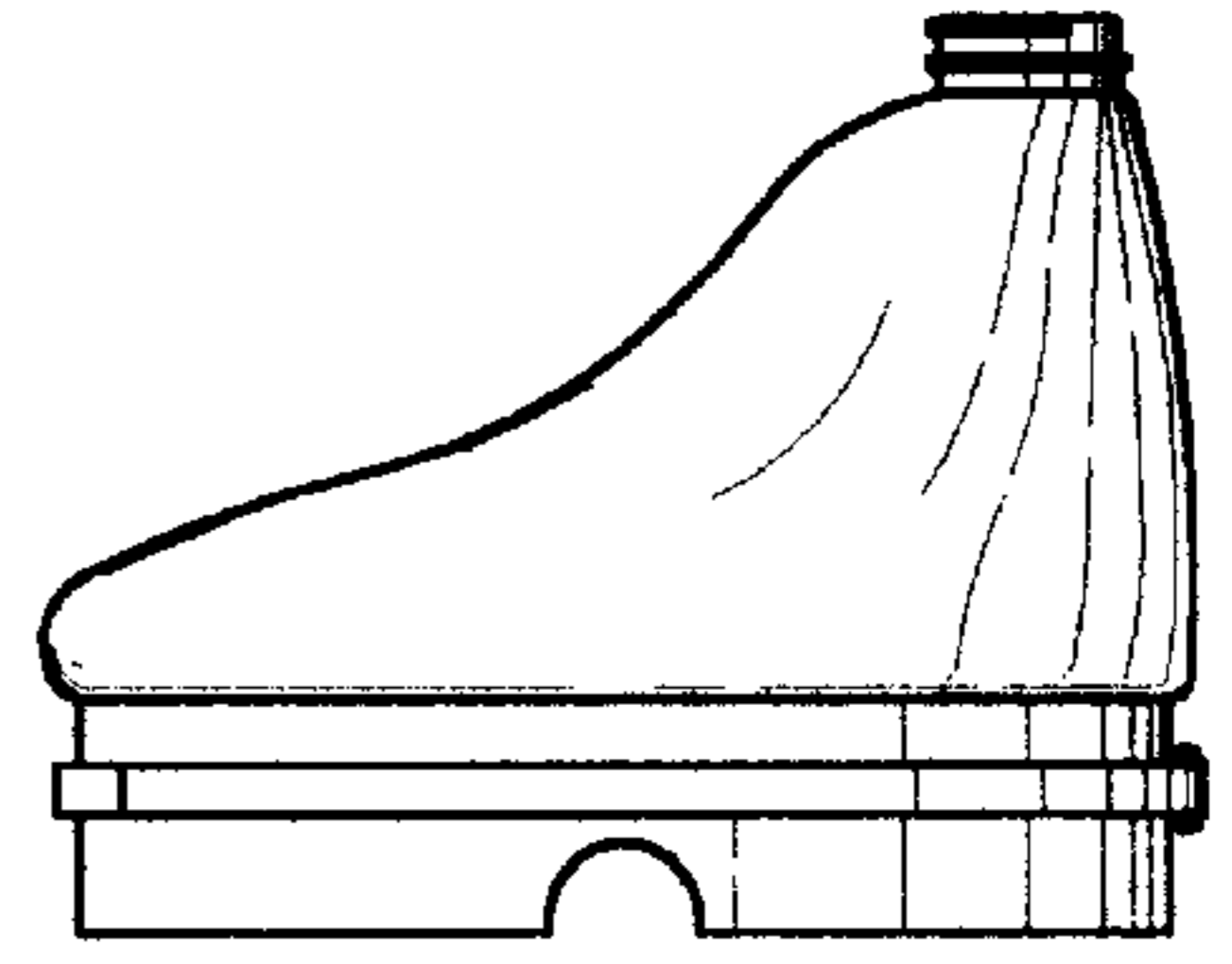


FIG. 4

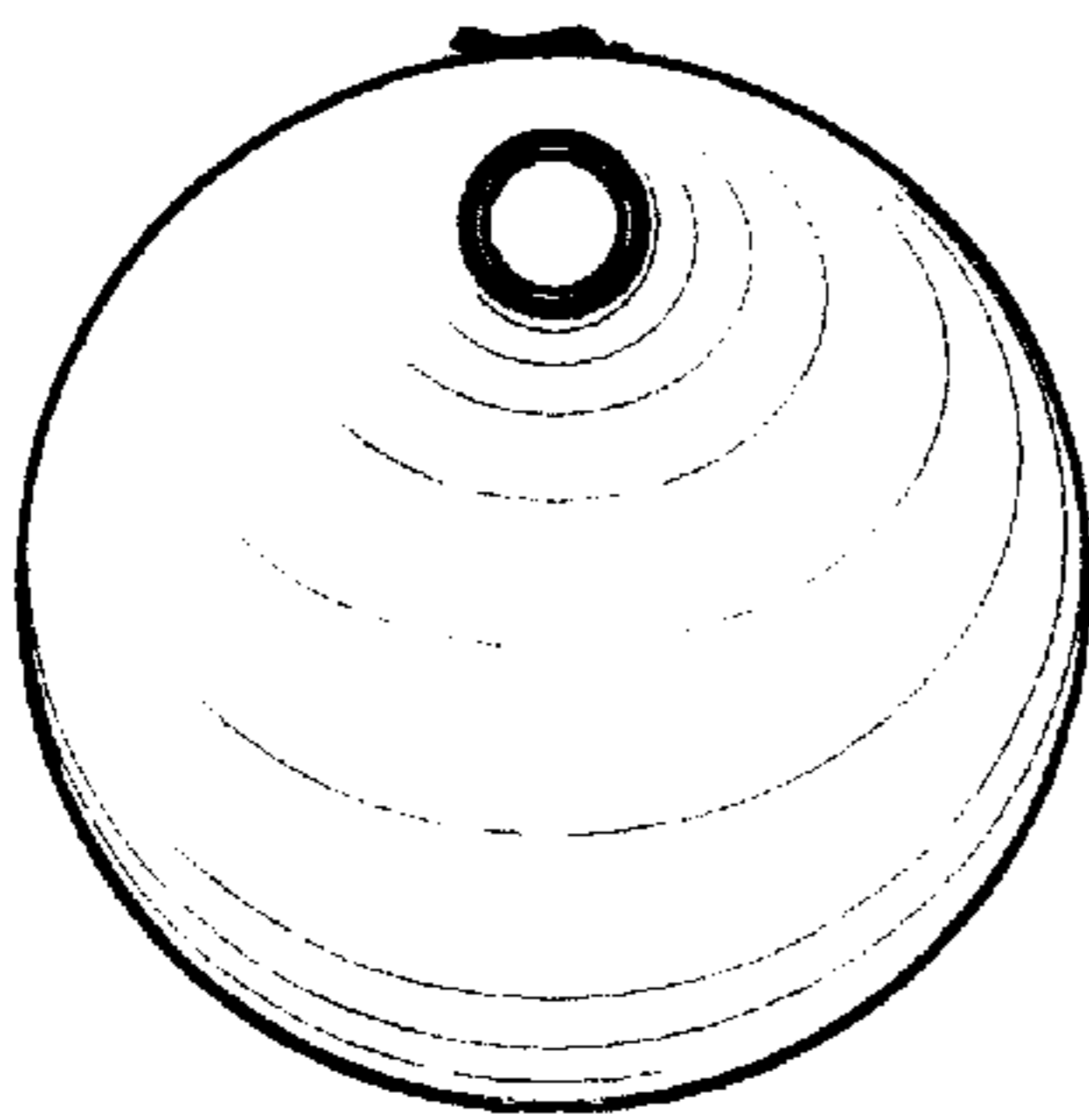


FIG. 5

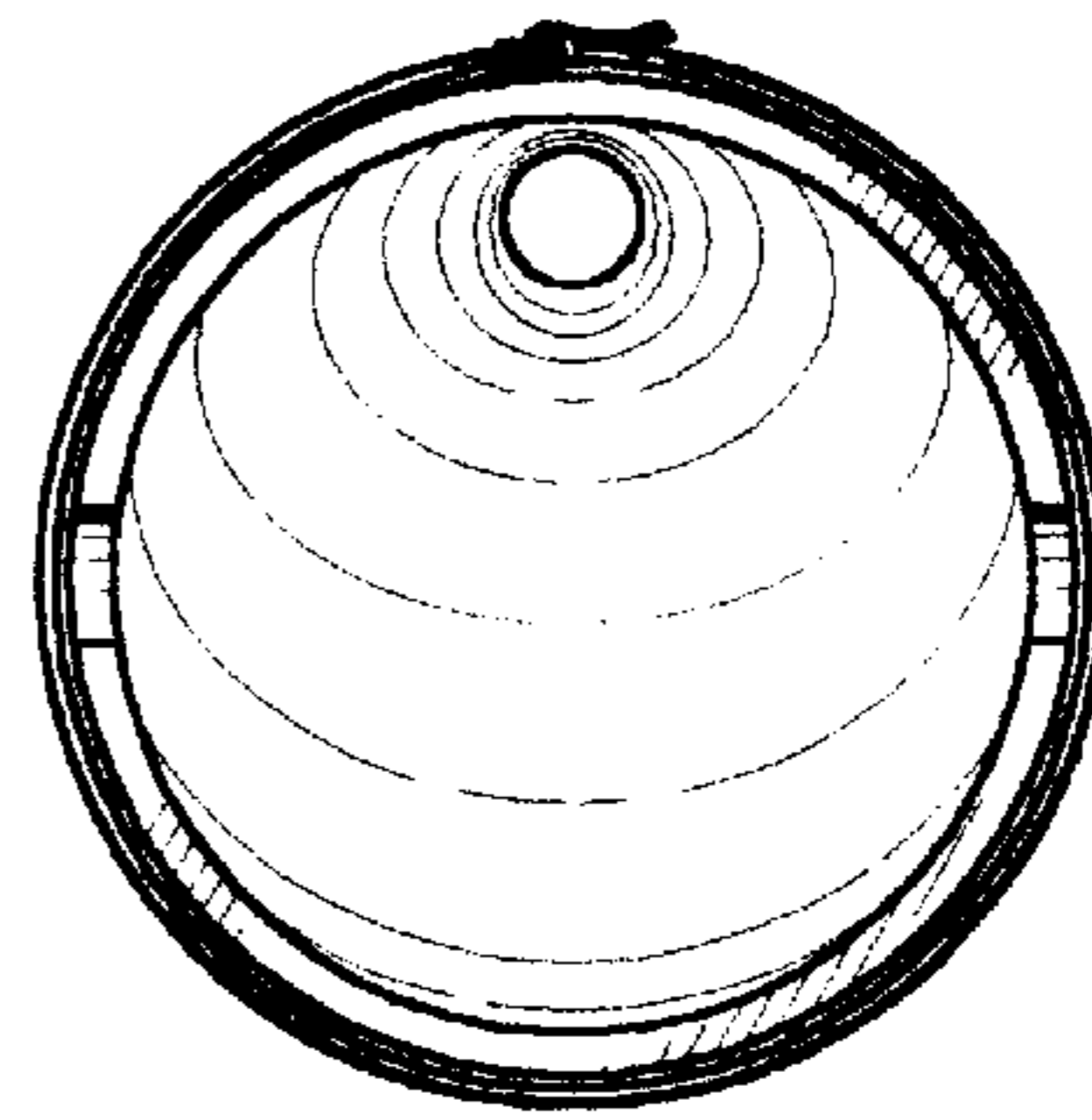


FIG. 6

FIG. 7

