



US00D398226S

# United States Patent [19]

[11] **Patent Number: Des. 398,226**

**Lai et al.**

[45] **Date of Patent: \*\*Sep. 15, 1998**

[54] **TOY PACKAGING**

[75] Inventors: **Cyprian Lai**, Kowloon; **Alex Cheung**, Wanchai; **Eric Lee**, Sai Kung, all of Hong Kong

[73] Assignee: **Funrise Toys, Ltd.**, Kowloon, Hong Kong

[\*\*] Term: **14 Years**

[21] Appl. No.: **55,988**

[22] Filed: **Jun. 19, 1996**

[51] **LOC (6) Cl.** ..... **09-07**

[52] **U.S. Cl.** ..... **D9/418; D9/431; D9/415**

[58] **Field of Search** ..... D9/418, 415, 431, D9/337, 414, 432; 206/769-773, 579, 319, 335, 775-783; 229/162, 103.2, 108, 116.1, 116.4

## [56] **References Cited**

### U.S. PATENT DOCUMENTS

D. 199,206	9/1964	Rose	.....	D9/418
D. 255,065	5/1980	Salacuse	.....	D3/201
D. 259,253	5/1981	Nelson	.....	D9/418
2,498,757	2/1950	High	.....	206/776
2,905,314	9/1959	Bertram	.....	D9/418 X
3,026,997	3/1962	Bianchi, Jr. et al.	.....	206/776 X
3,406,816	10/1968	Green et al.	.....	206/769 X
5,188,222	2/1993	Pierce	.....	206/776

### OTHER PUBLICATIONS

Packaging, 1959, p. 222, item #742.

*Primary Examiner*—Prabhakar G. Deshmukh  
*Attorney, Agent, or Firm*—Lewis Anten, Esq.; Amedeo Ferraro, Esq.

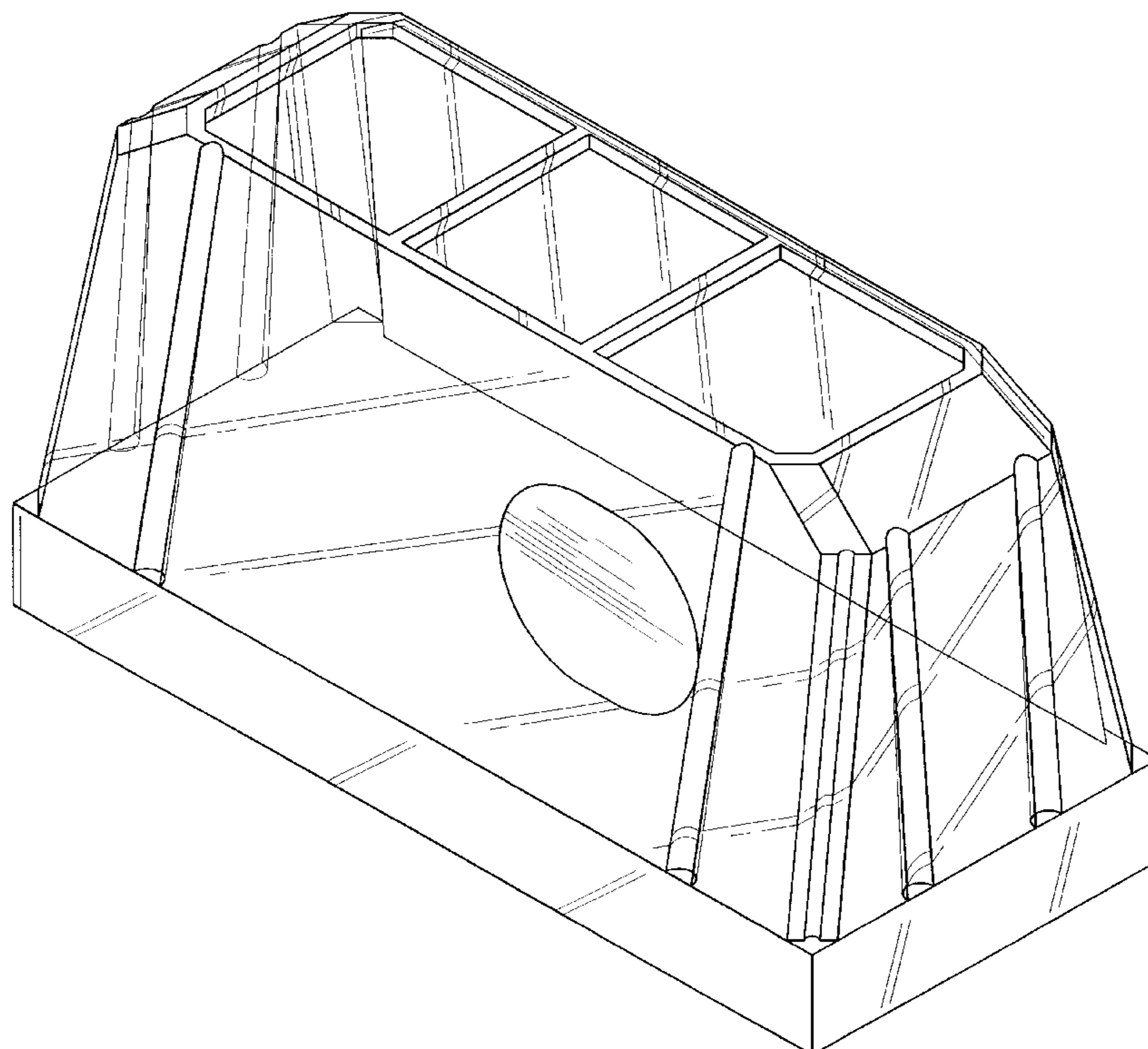
## [57] **CLAIM**

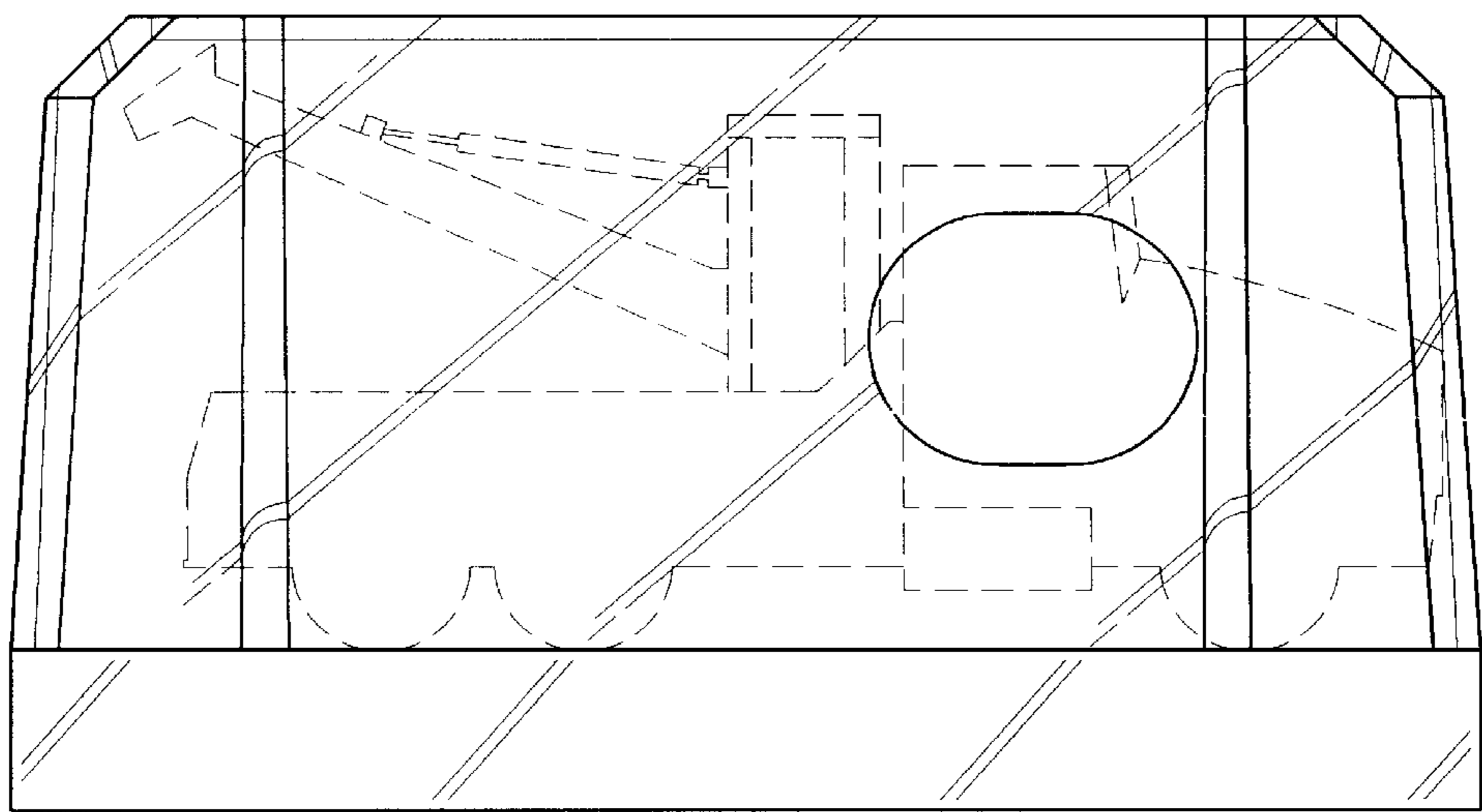
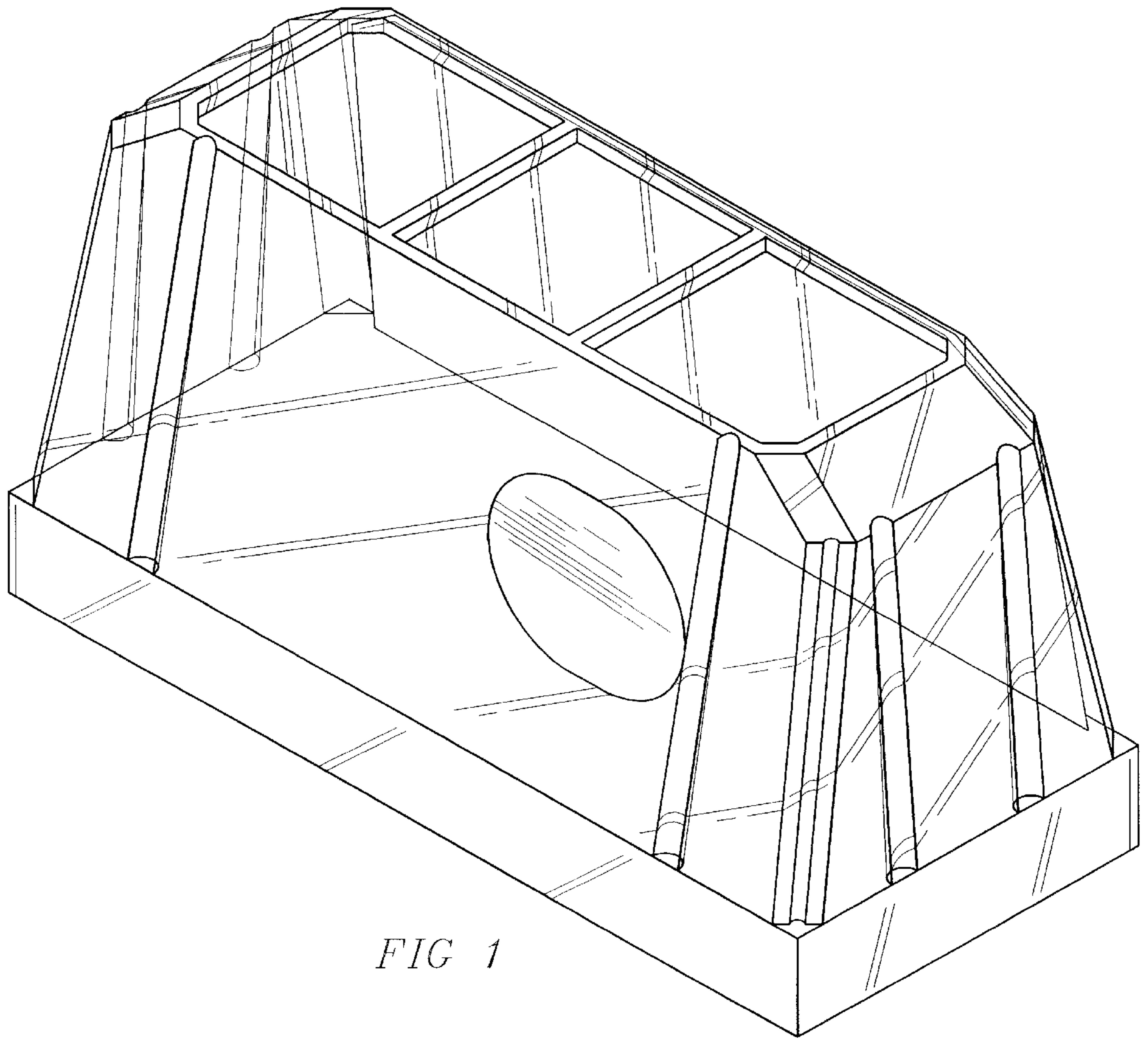
The ornamental design for a toy packaging, as shown and described.

## **DESCRIPTION**

FIG. 1 is a side perspective view of the toy packaging of our new design;  
 FIG. 2 is a right side elevational view thereof;  
 FIG. 3 is a left side elevational view thereof;  
 FIG. 4 is a top plan view thereof;  
 FIG. 5 is a bottom plan view thereof;  
 FIG. 6 is a first end view thereof, the second end view is a mirror image thereof;  
 FIG. 7 is a side perspective view of a second embodiment of the toy packaging of our new design;  
 FIG. 8 is a right side elevational view thereof;  
 FIG. 9 is a left side elevational view thereof;  
 FIG. 10 is a top plan view thereof;  
 FIG. 11 is a bottom plan view thereof;  
 FIG. 12 is a first end view thereof, the second end view is a mirror image thereof;  
 FIG. 13 is a side perspective view of a third embodiment of the toy packaging of our new design;  
 FIG. 14 is a right side elevational view thereof;  
 FIG. 15 is a left side elevational view thereof;  
 FIG. 16 is a top plan view thereof;  
 FIG. 17 is a bottom plan view thereof;  
 FIG. 18 is a first end view thereof; and,  
 FIG. 19 is a second end view thereof.

**1 Claim, 9 Drawing Sheets**





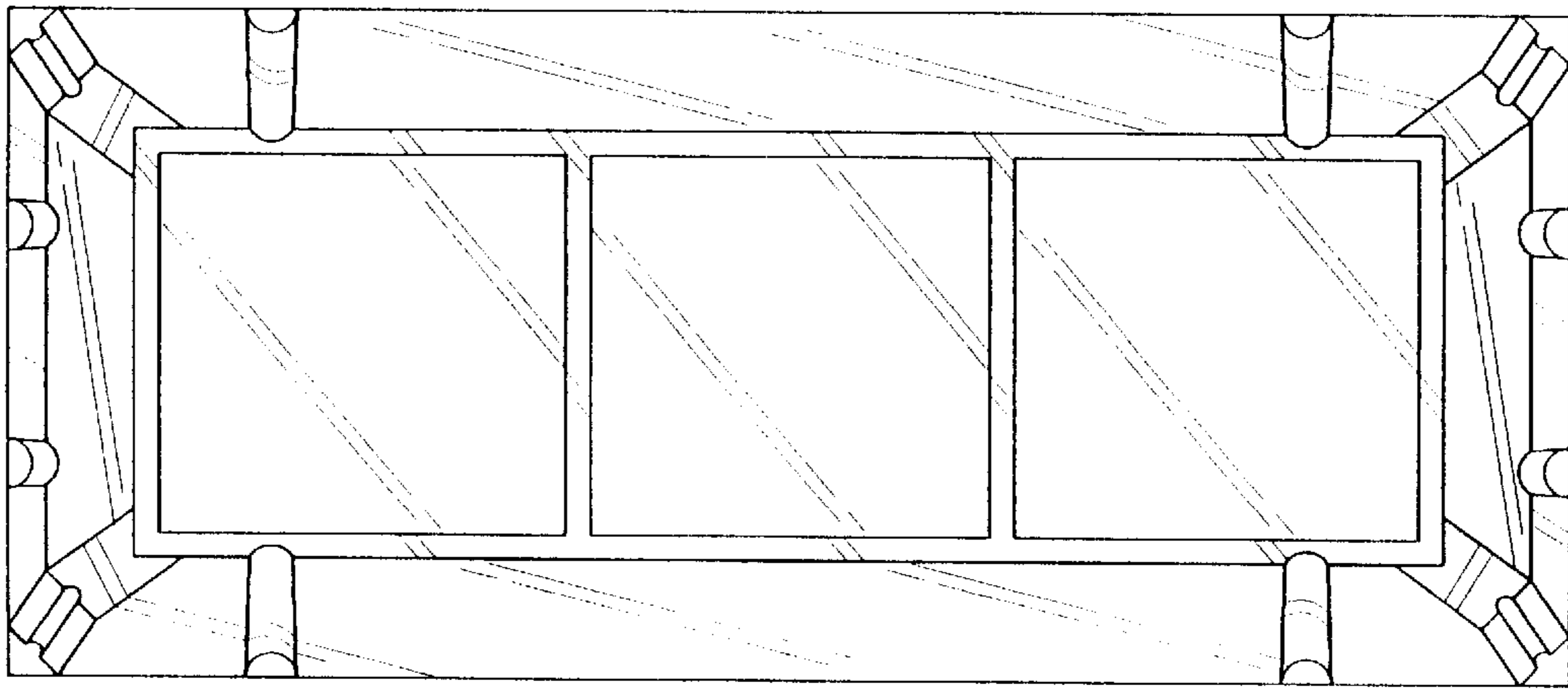


FIG 4

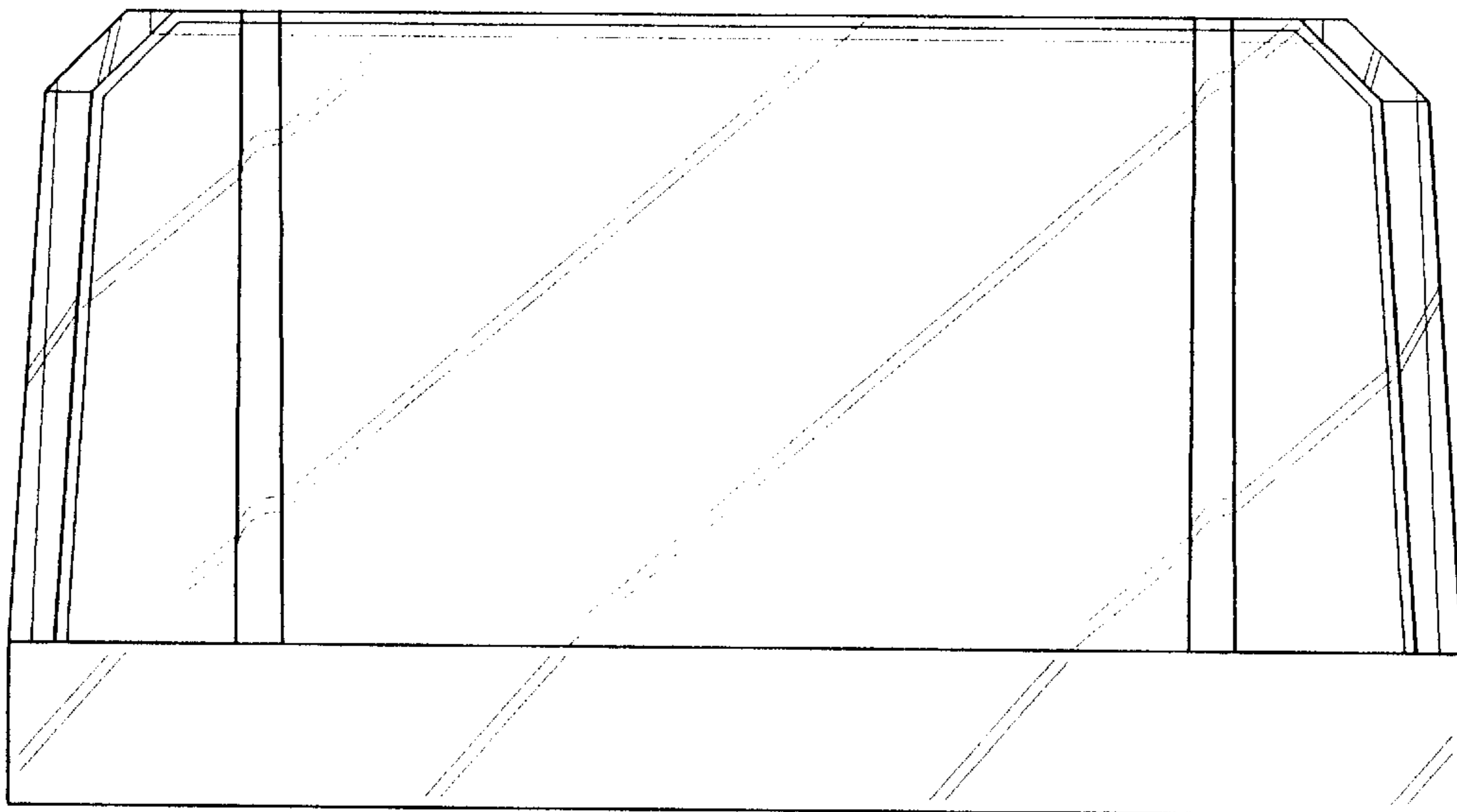


FIG 3

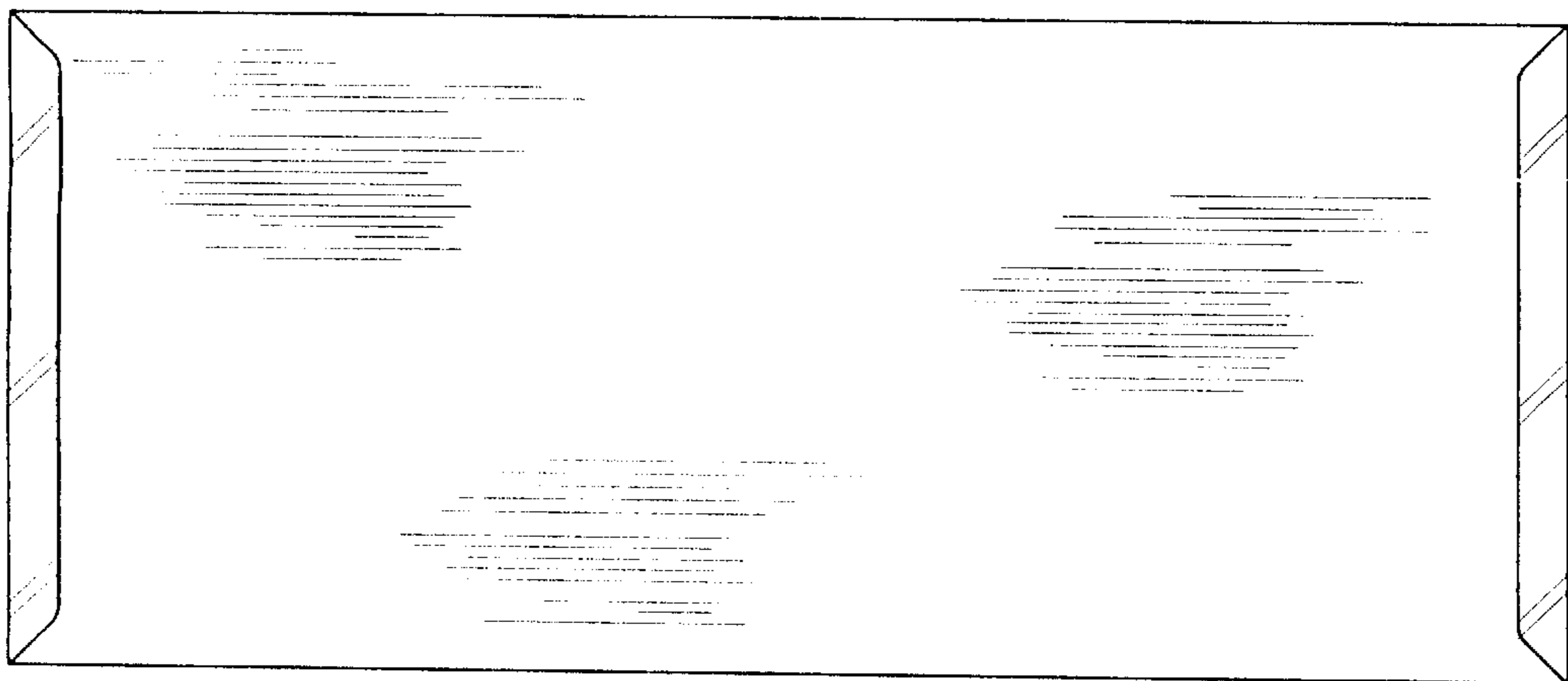
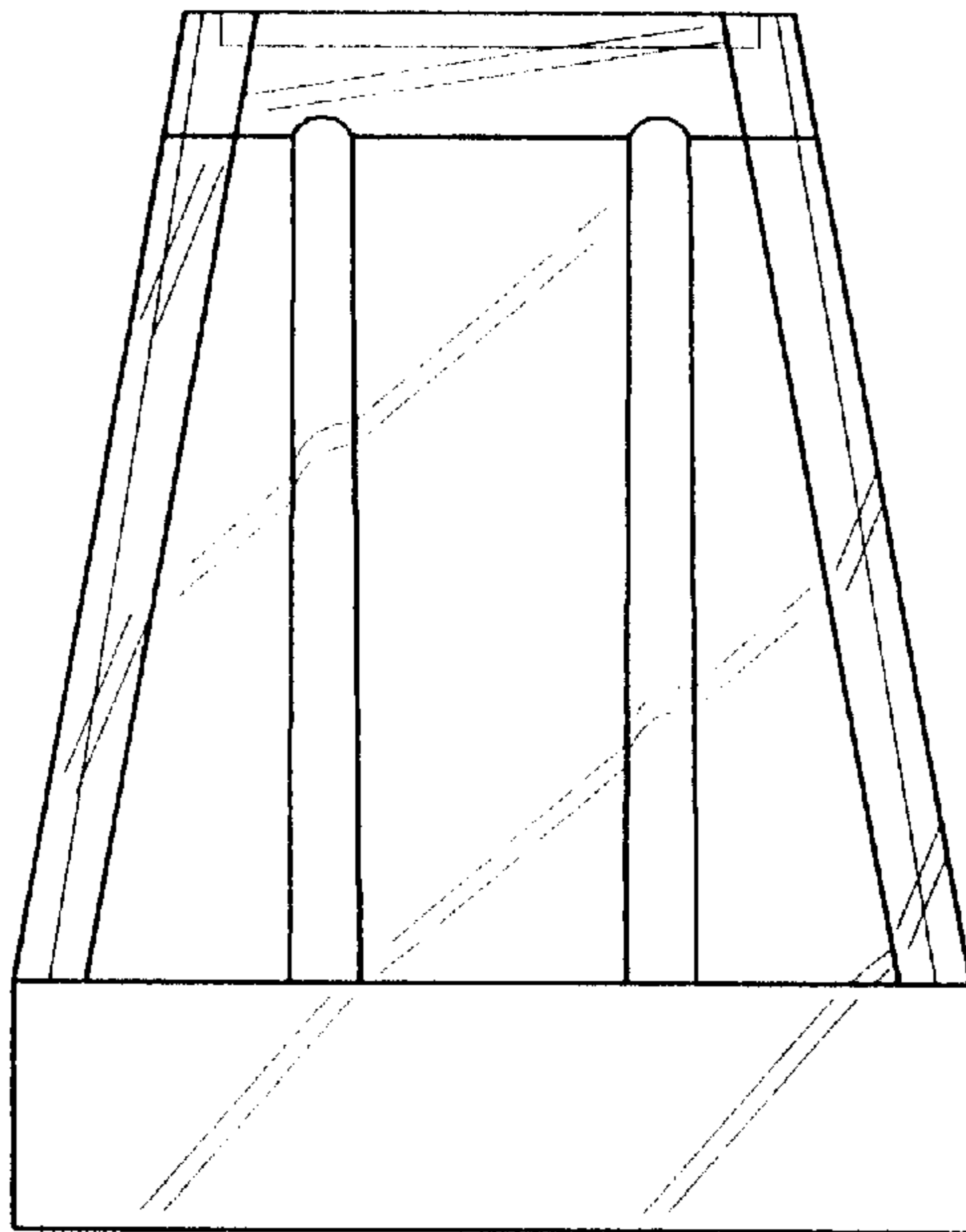


FIG 5



*FIG 6*

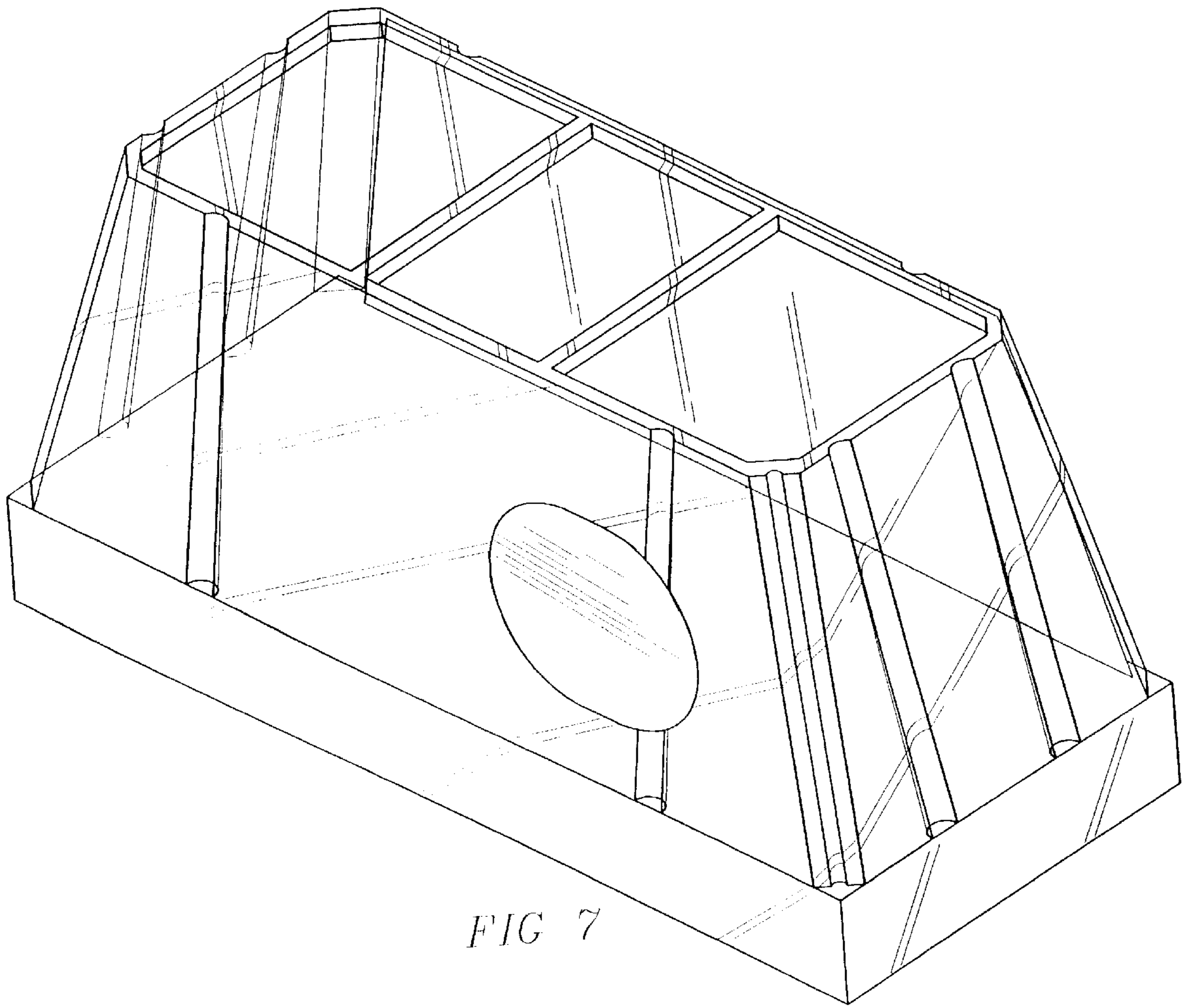


FIG 7

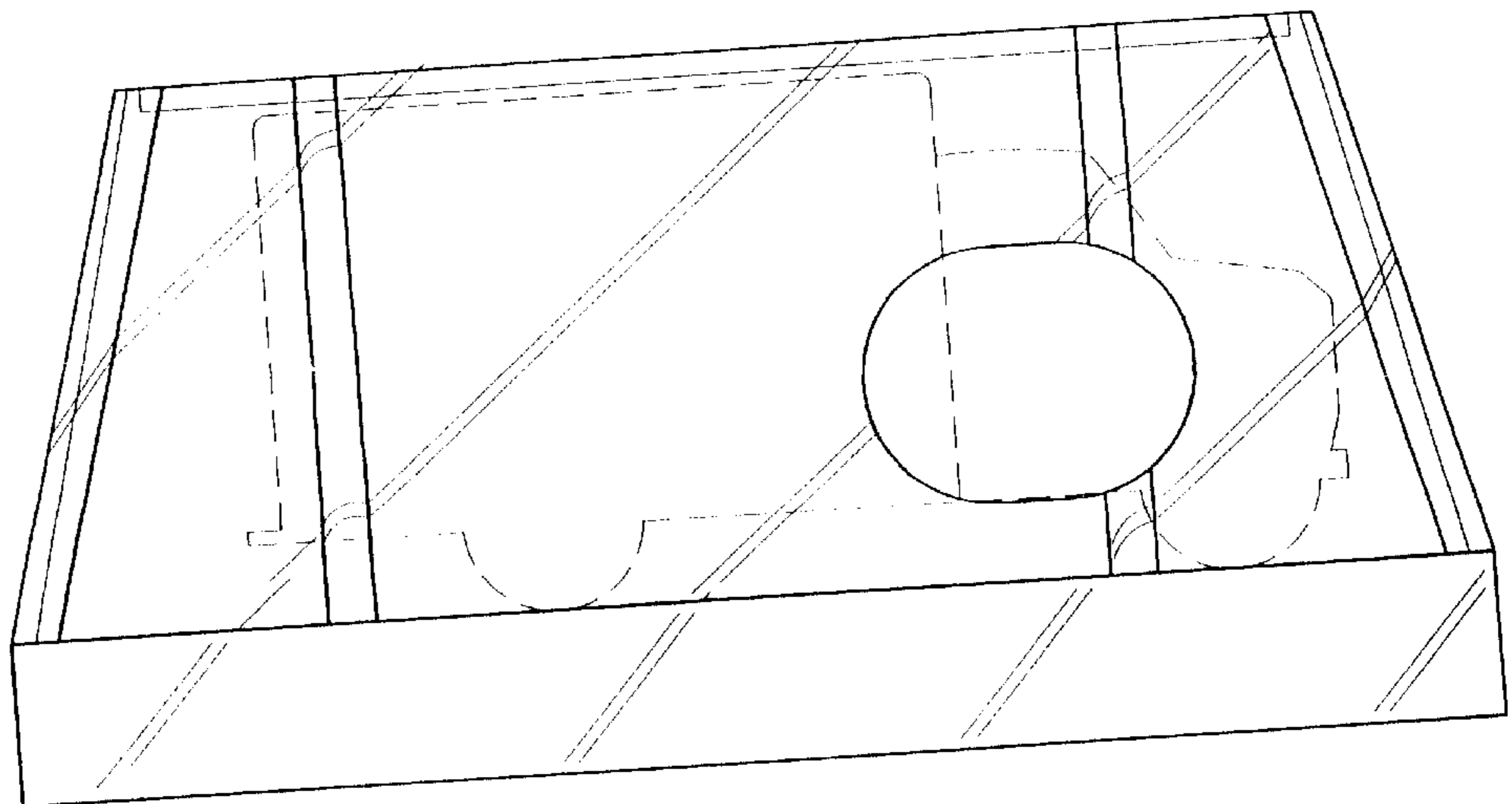


FIG 8

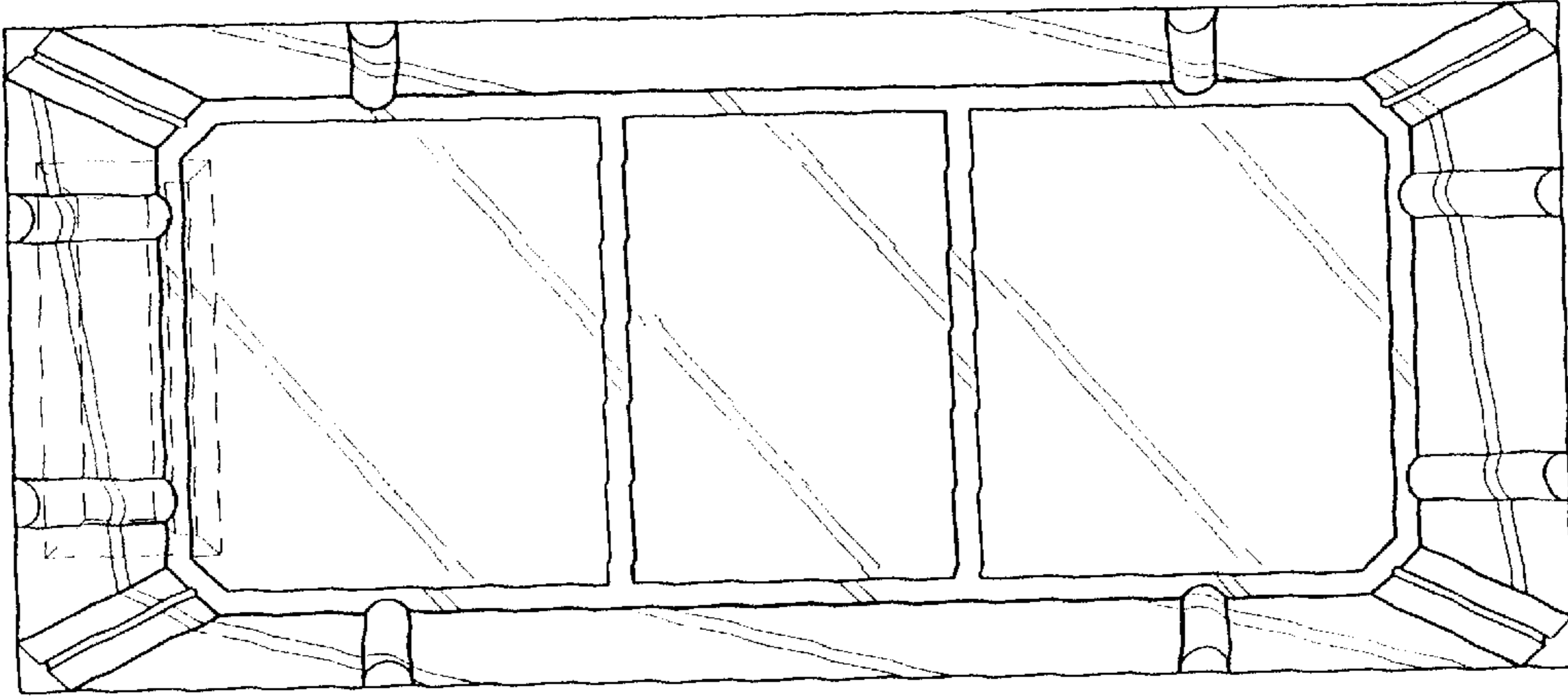


FIG 10

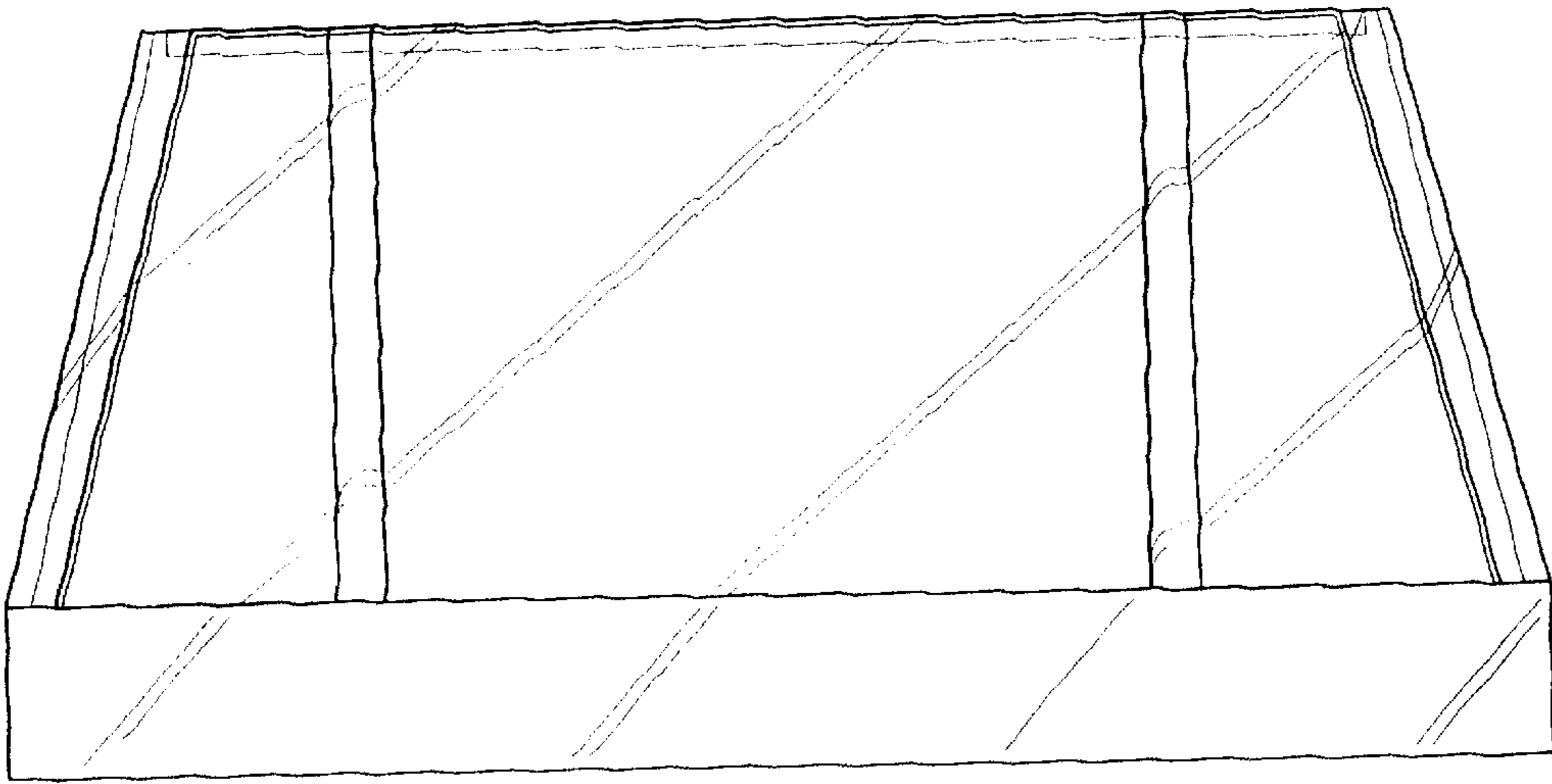


FIG 9

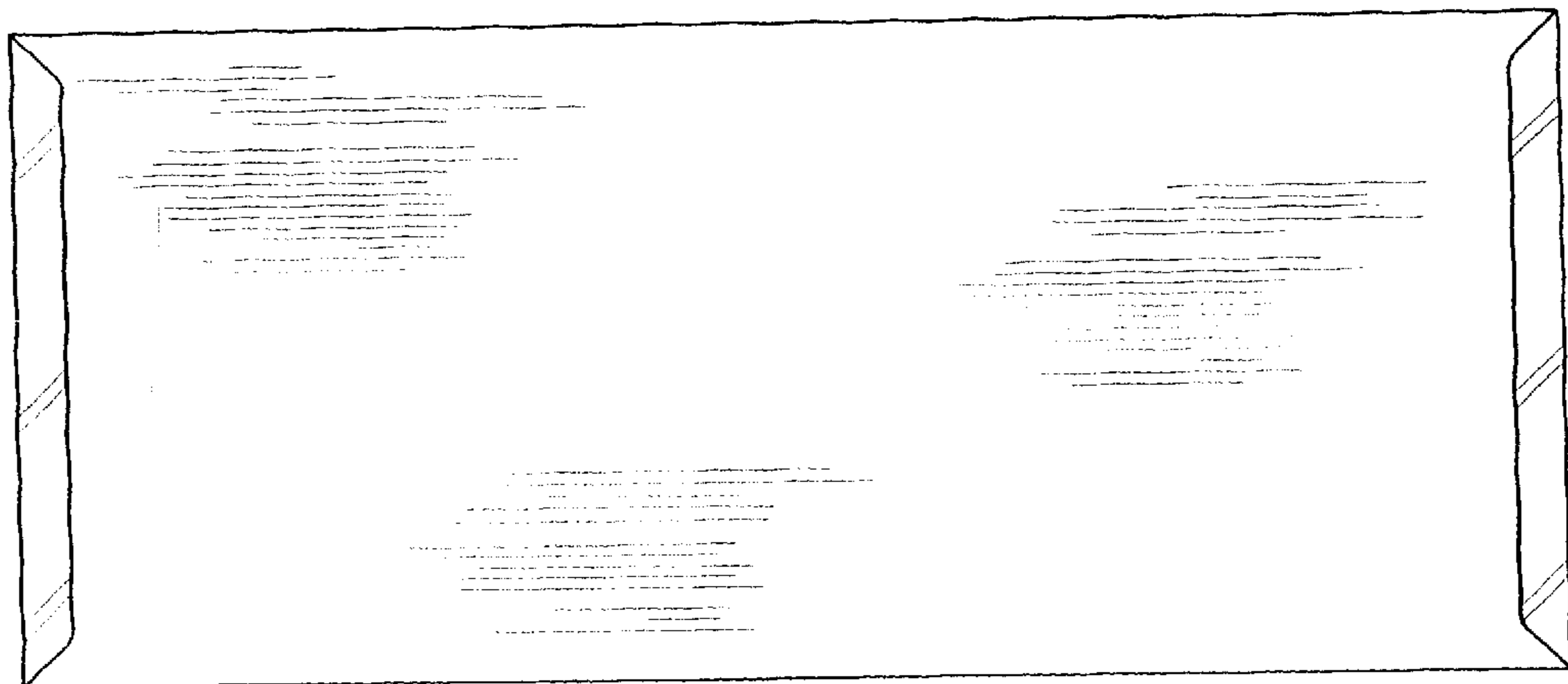


FIG 11

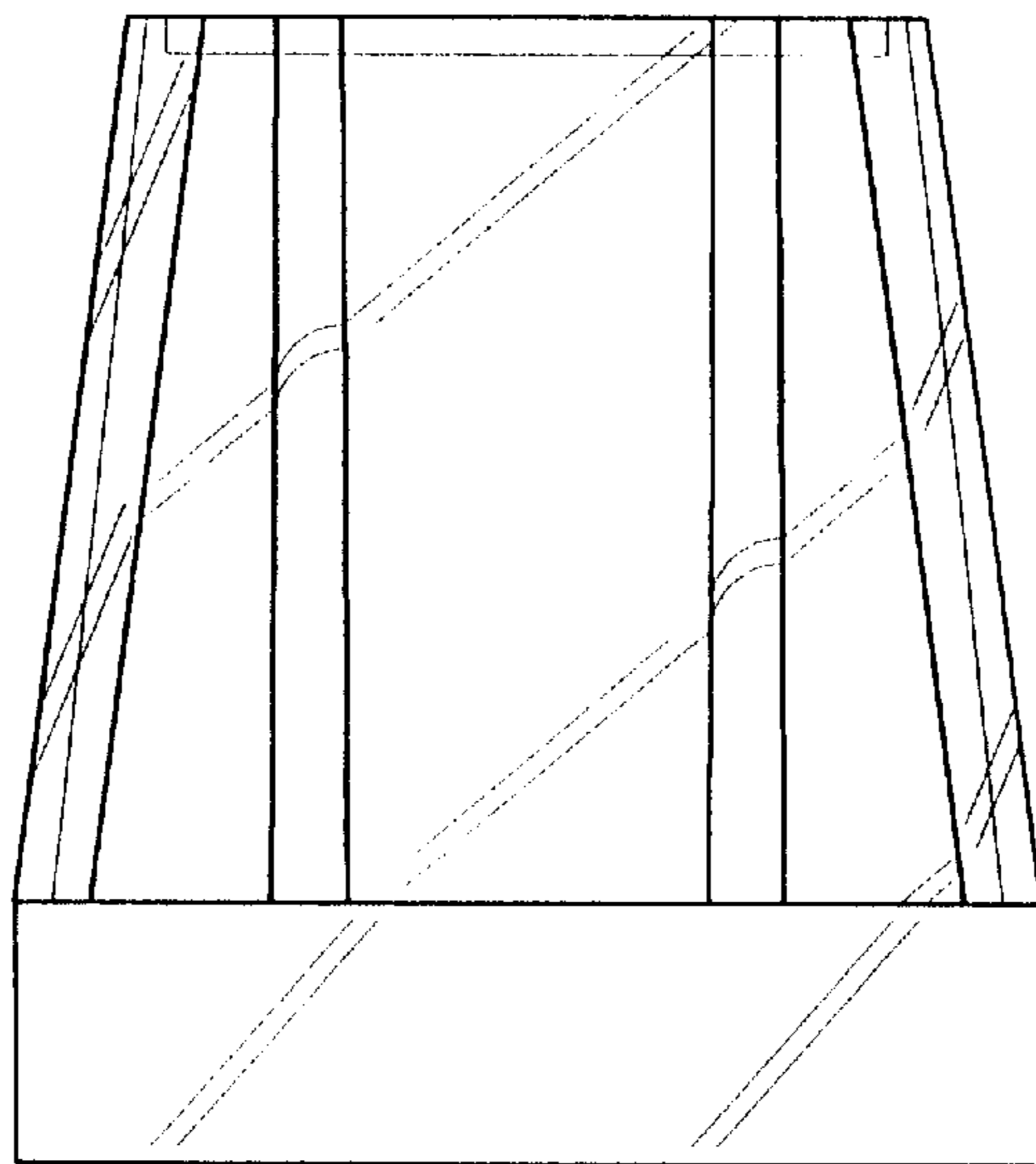


FIG 12

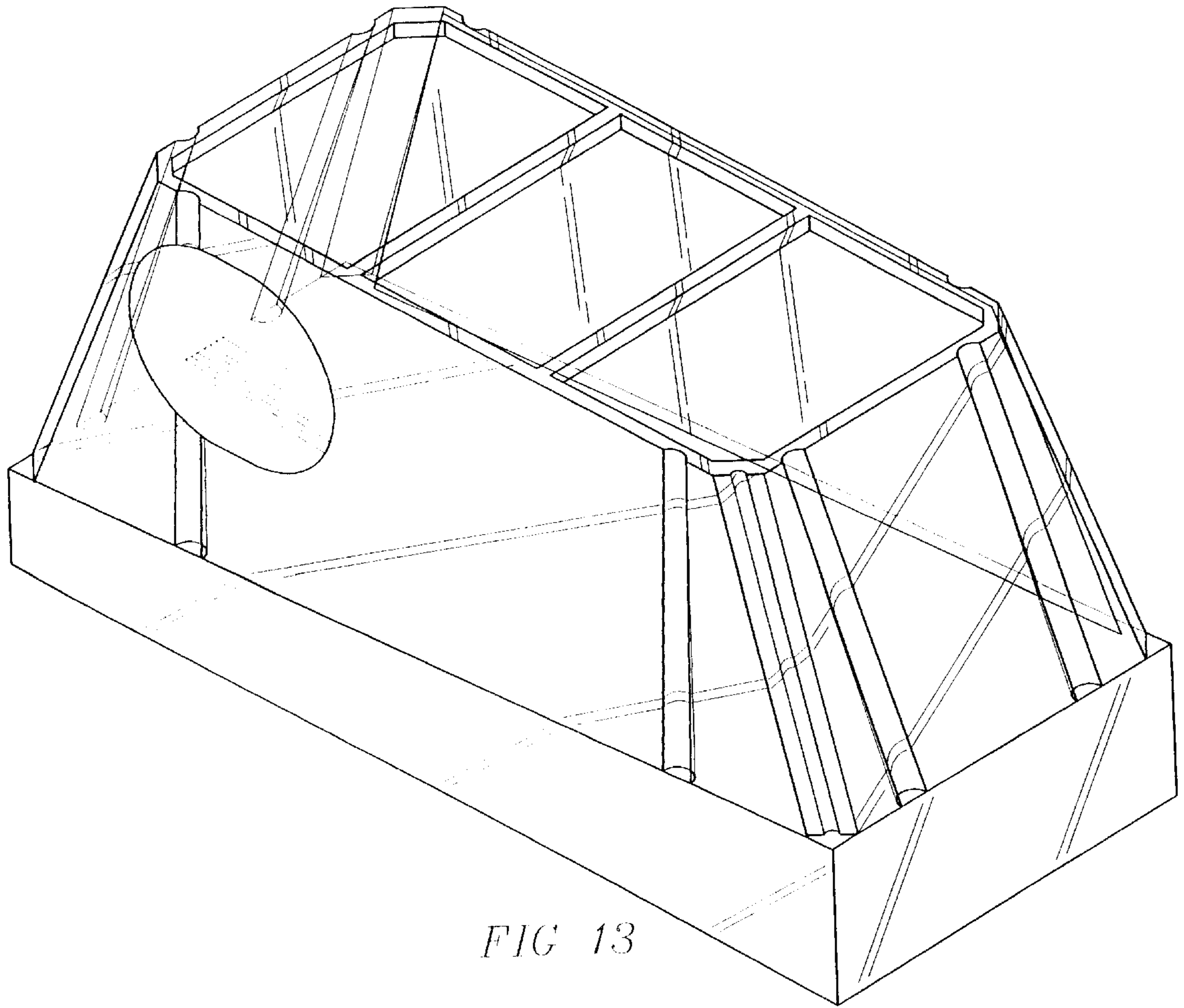


FIG 13

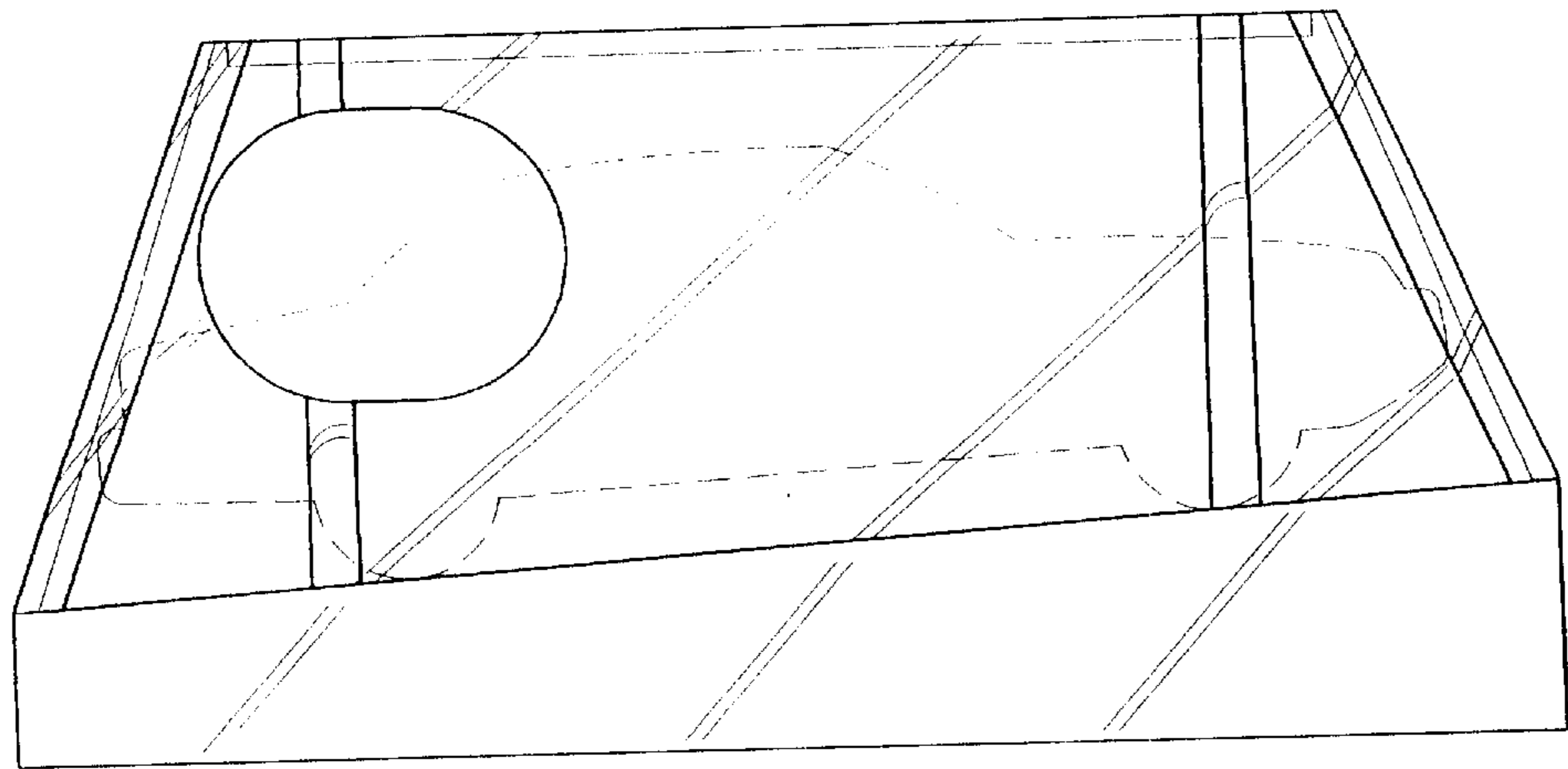


FIG 14



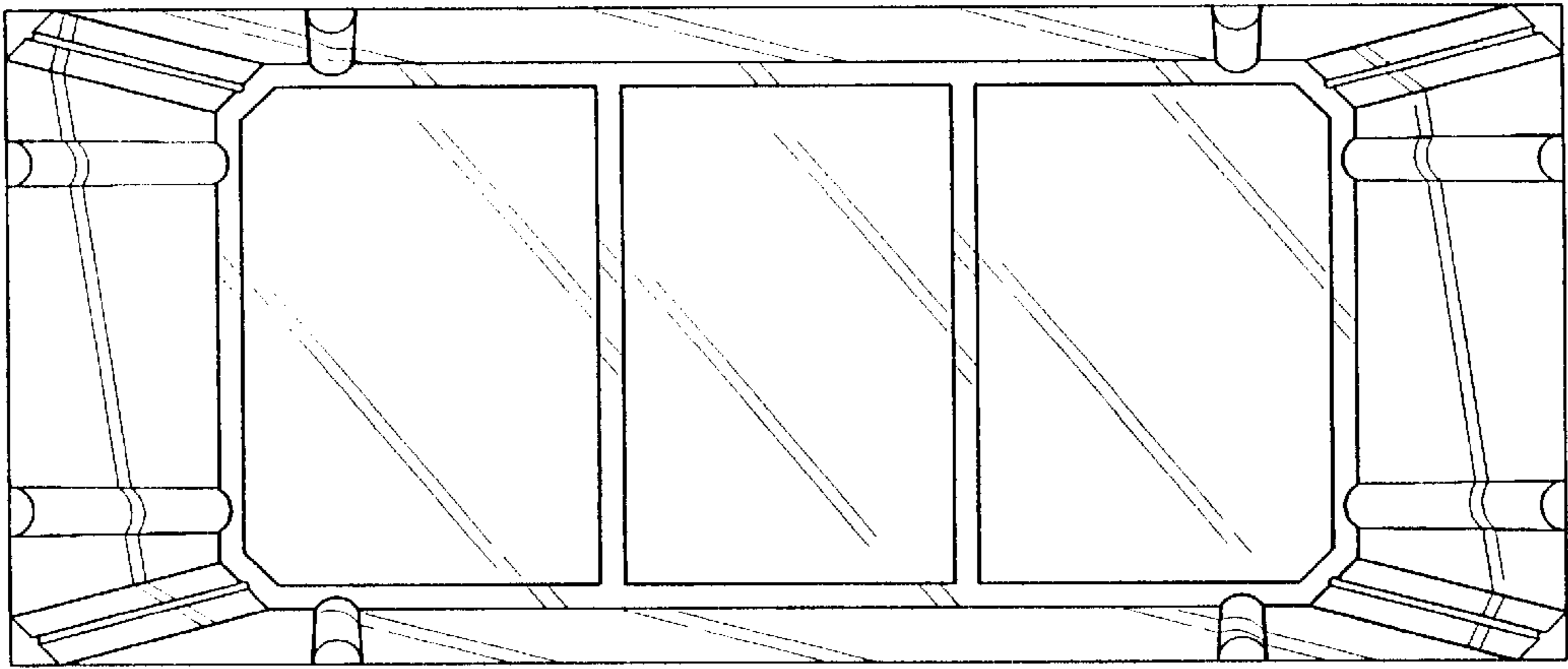


FIG 16

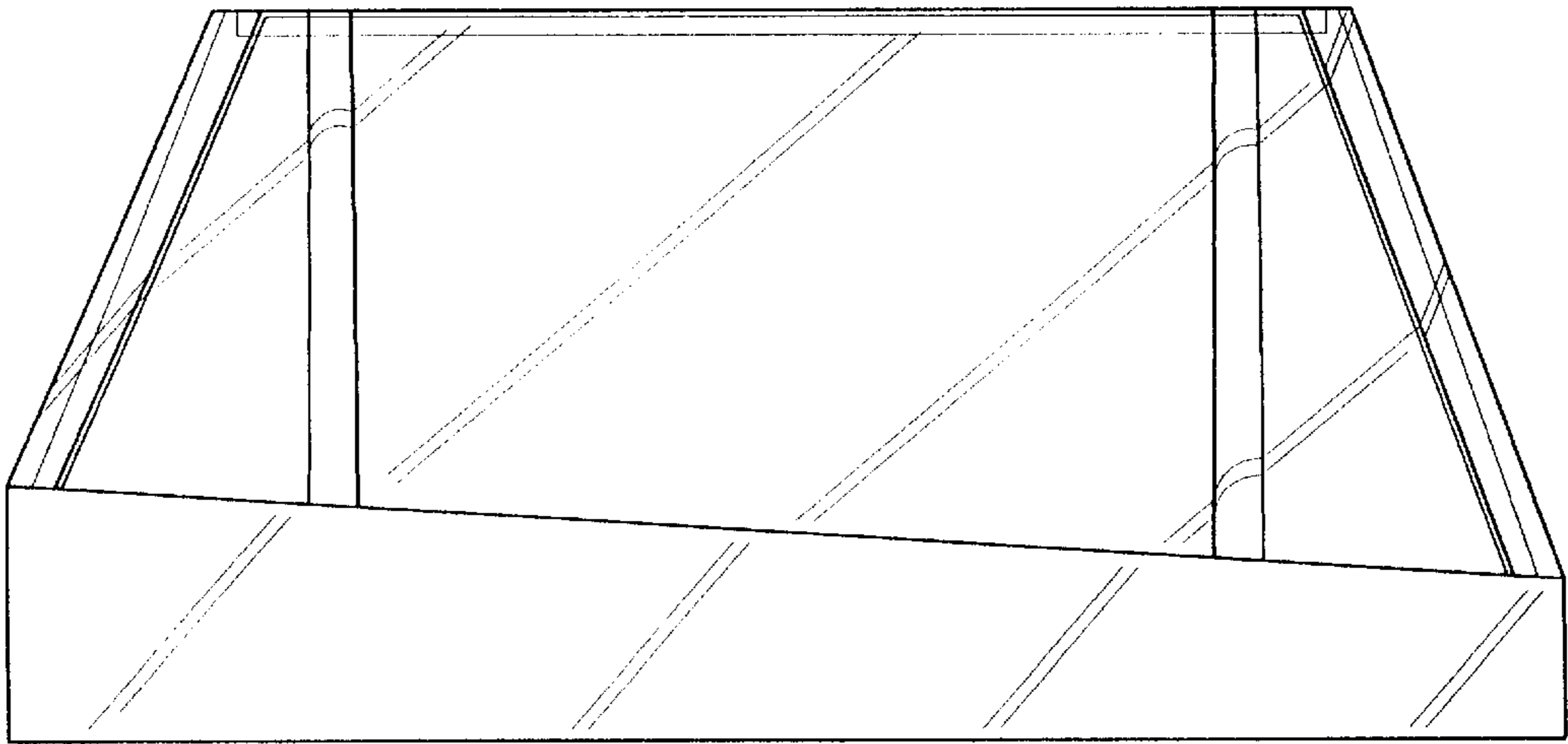


FIG 15

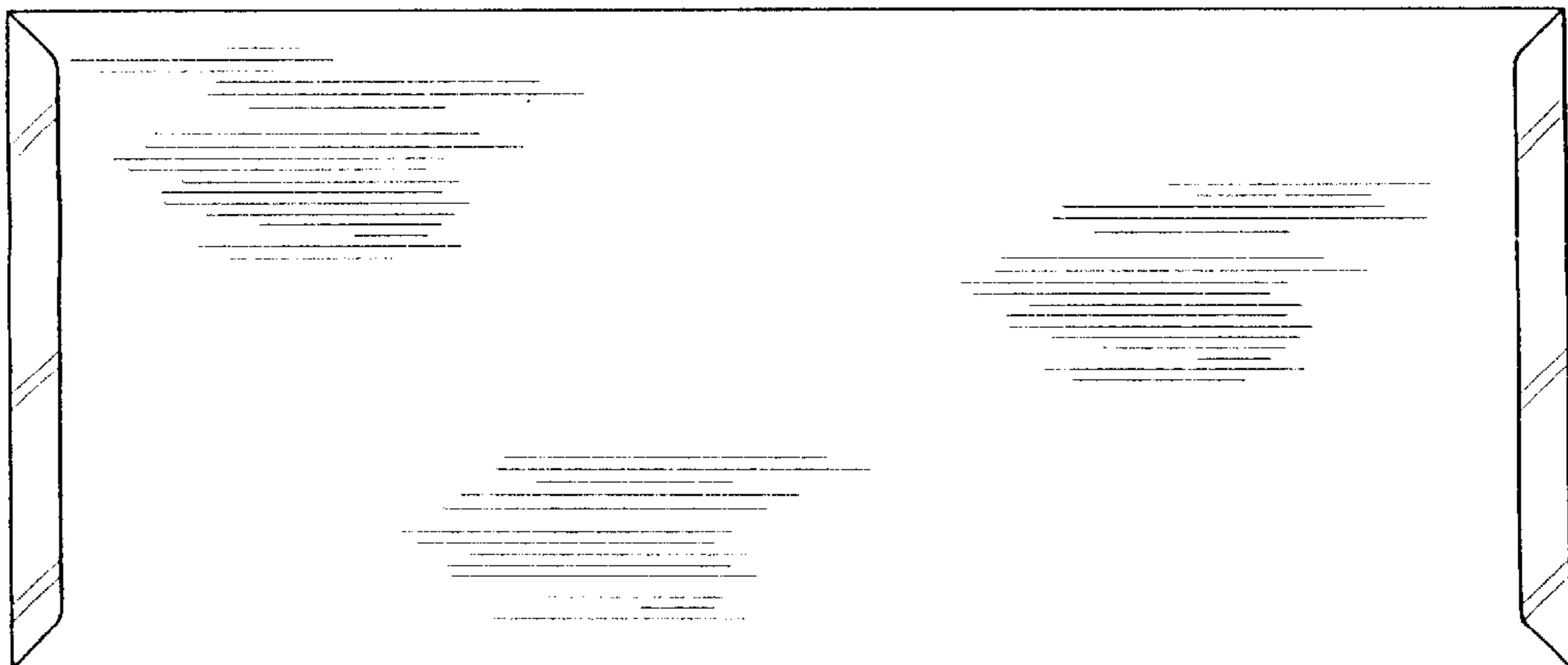


FIG 17

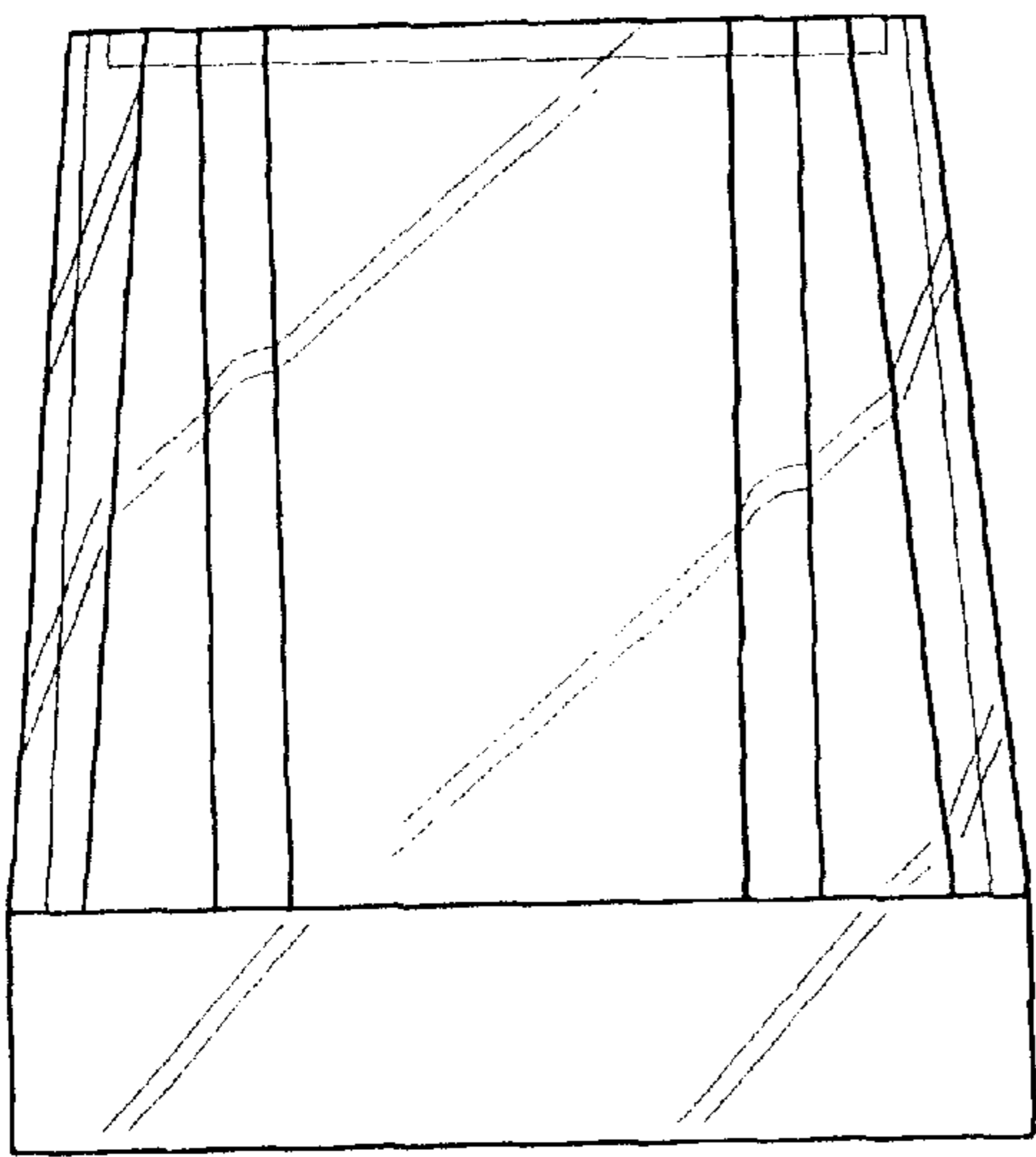


FIG 18

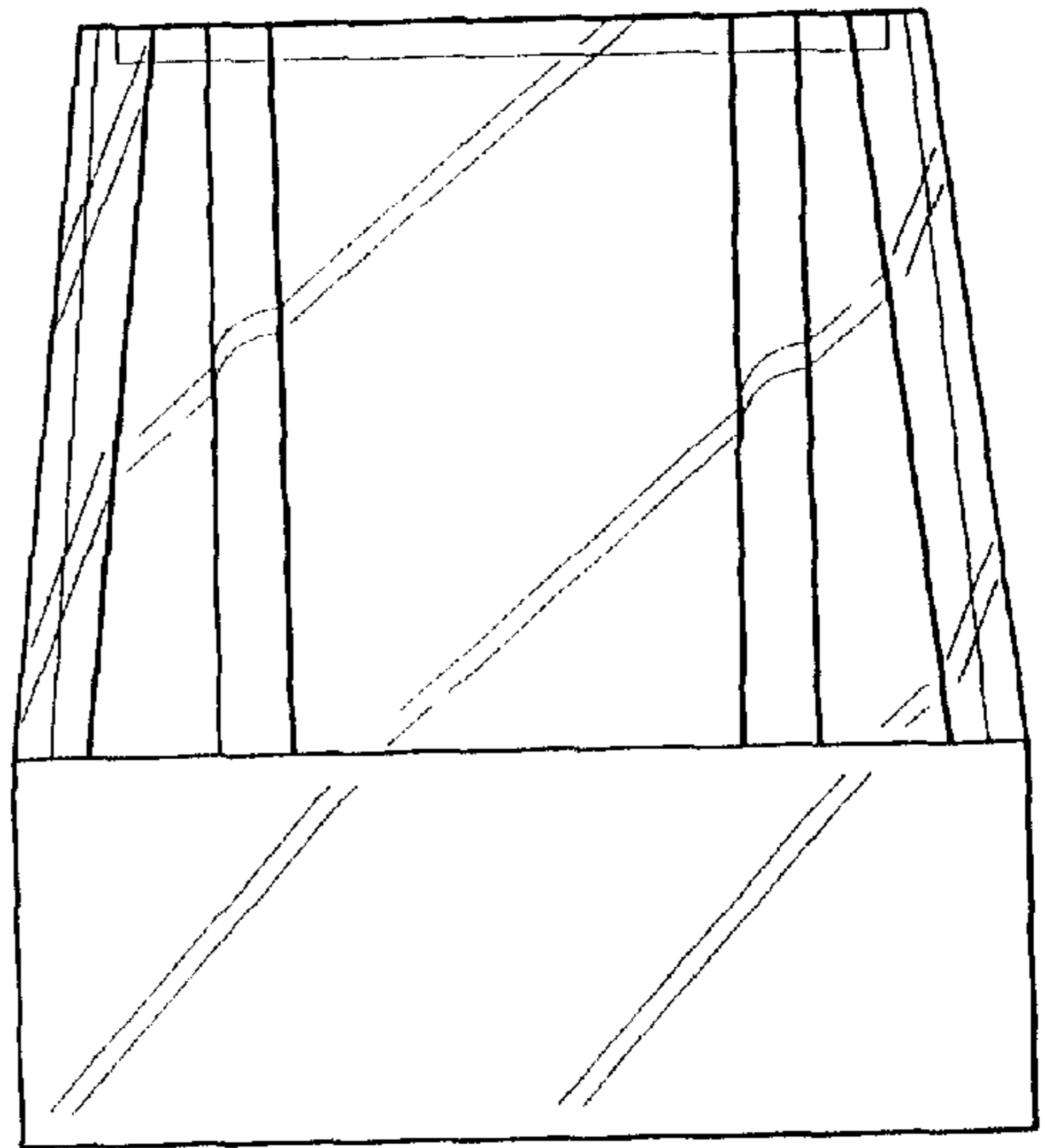


FIG 19