



US00D398221S

United States Patent [19]

Weber et al.

[11] **Patent Number: Des. 398,221**

[45] **Date of Patent: **Sep. 15, 1998**

[54] ATTACHMENT CLIP

[75] Inventors: **Darren J. Weber**, Guilford; **Jonathan D. Isom**, Terre Haute; **Bradley J. Garret**, Wabash; **Arjun Madiman**, Indianapolis, all of Ind.

[73] Assignee: **Thomson Consumer Electronics, Inc.**, Indianapolis, Ind.

[**] Term: **14 Years**

[21] Appl. No.: **77,718**

[22] Filed: **Oct. 9, 1997**

[51] **LOC (6) Cl. 08-05**

[52] **U.S. Cl. D8/371**

[58] **Field of Search D8/371, 372, 382; 248/491, 466, 468, 496-497**

[56] References Cited

U.S. PATENT DOCUMENTS

D. 272,702	2/1984	Kingsley, Jr.	D8/371
1,762,311	6/1930	Schwab	248/468
2,383,658	8/1945	Larson	248/497

OTHER PUBLICATIONS

Grammes Catalog, p. 18, letter file catch, item No. 319, located at left of page, Jan. 1941.

Primary Examiner—Holly Baynham
Attorney, Agent, or Firm—Woodard, Emhardt, Naughton, Moriarty & McNett

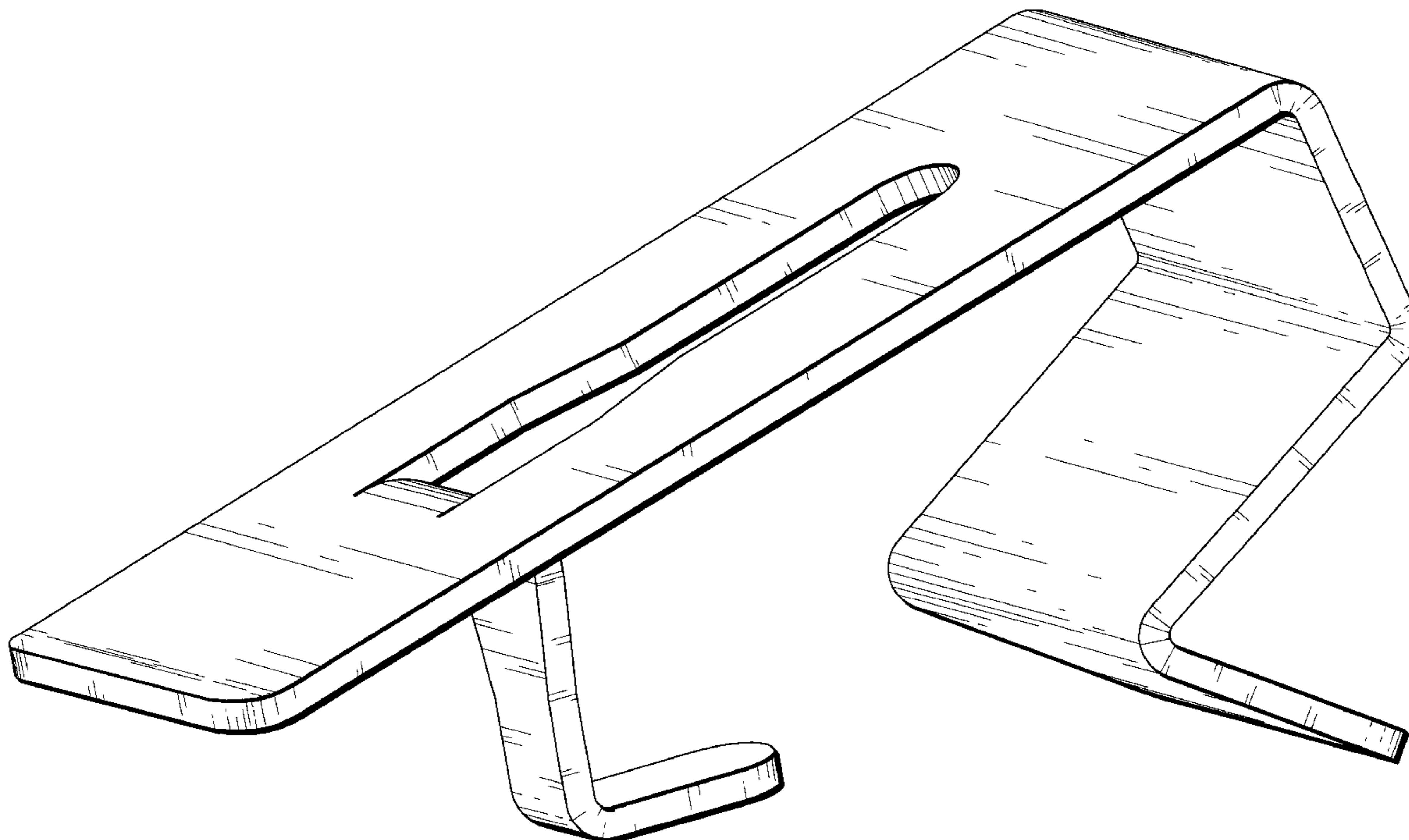
[57] CLAIM

The ornamental design for an attachment clip, as shown and described.

DESCRIPTION

FIG. 1 is a front elevational view of an attachment clip showing our new design;
FIG. 2 is a rear elevational view thereof;
FIG. 3 is a right side elevational view, the left side being a mirror image thereof;
FIG. 4 is a top elevational view thereof;
FIG. 5 is a bottom elevational view thereof; and,
FIG. 6 is a right side, front and bottom perspective view thereof.

1 Claim, 5 Drawing Sheets



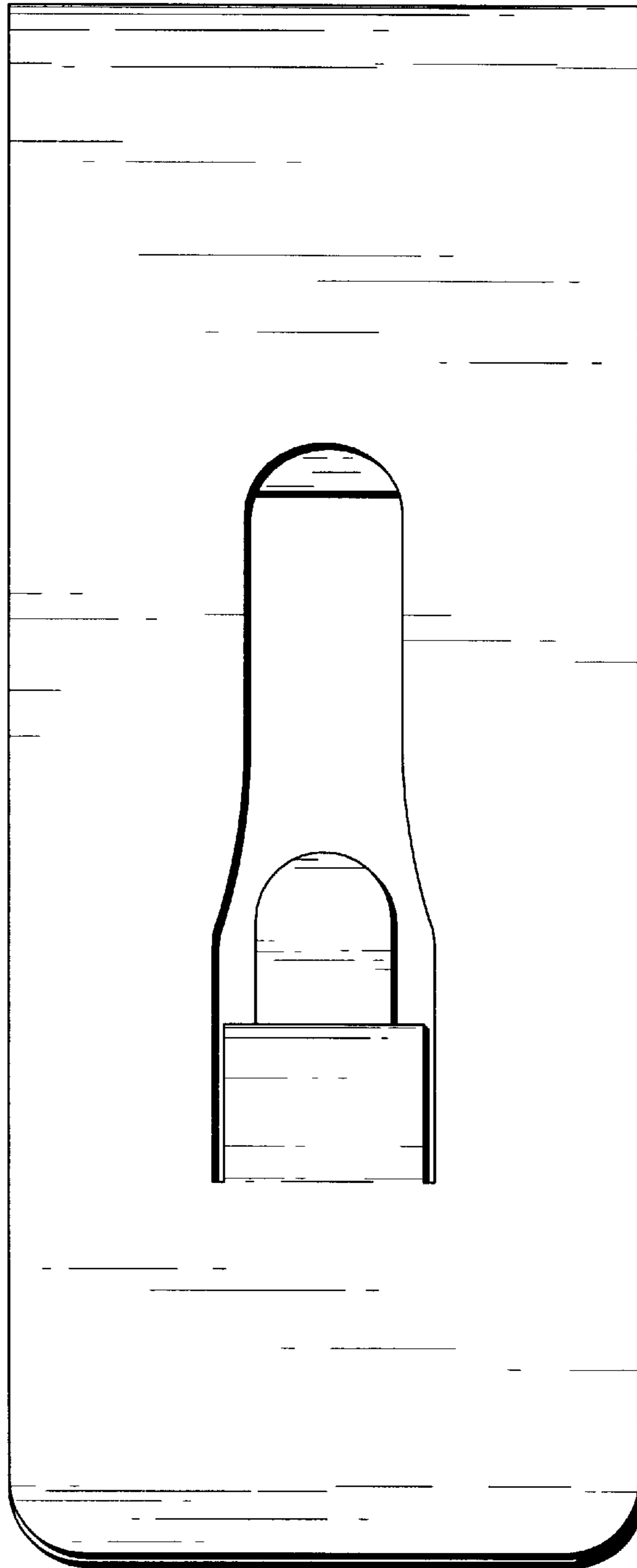


Fig. 1

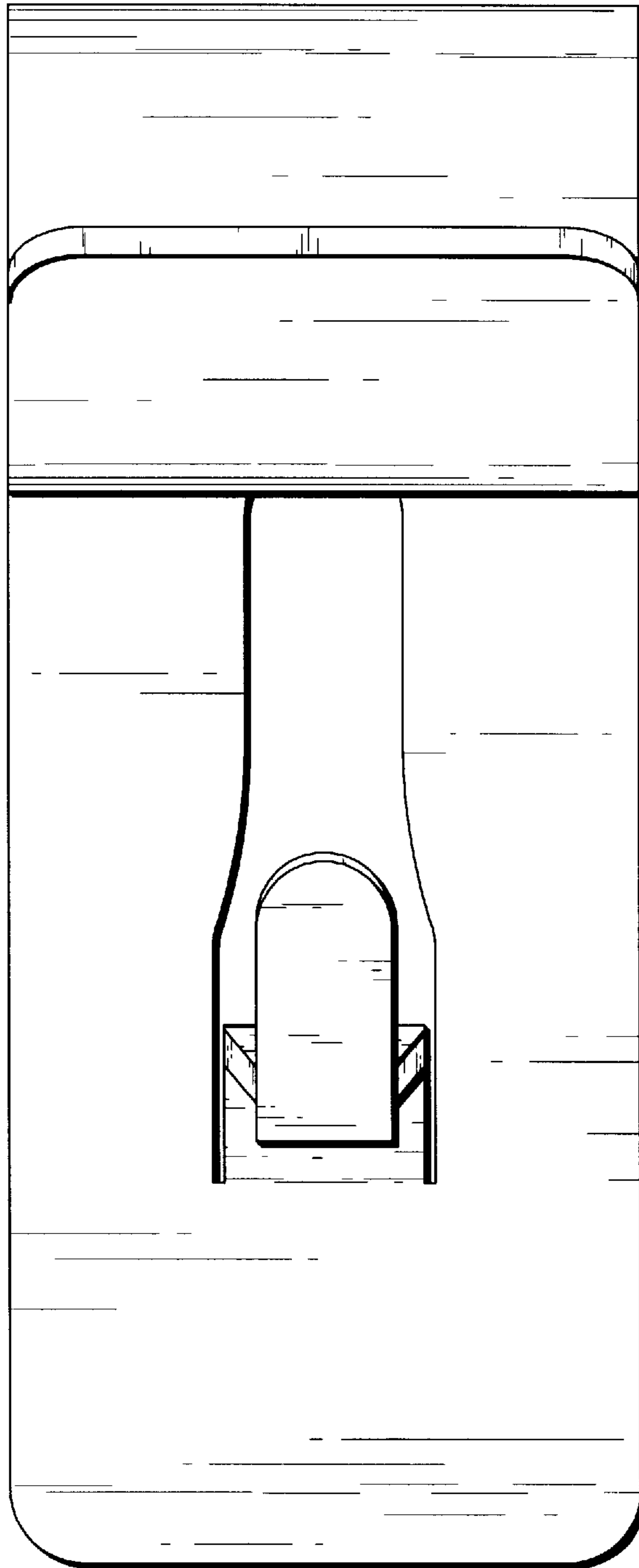


Fig. 2

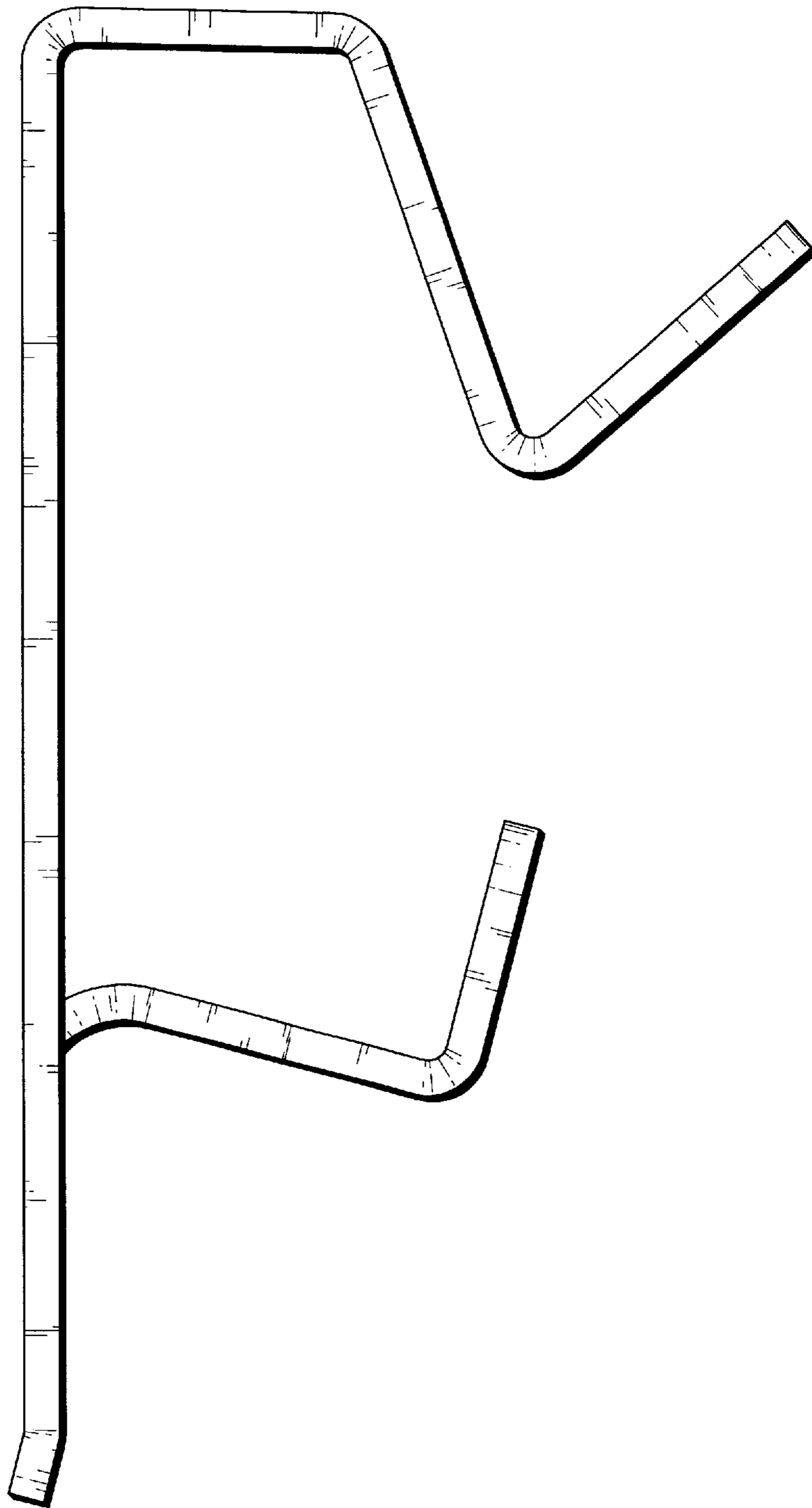


Fig. 3

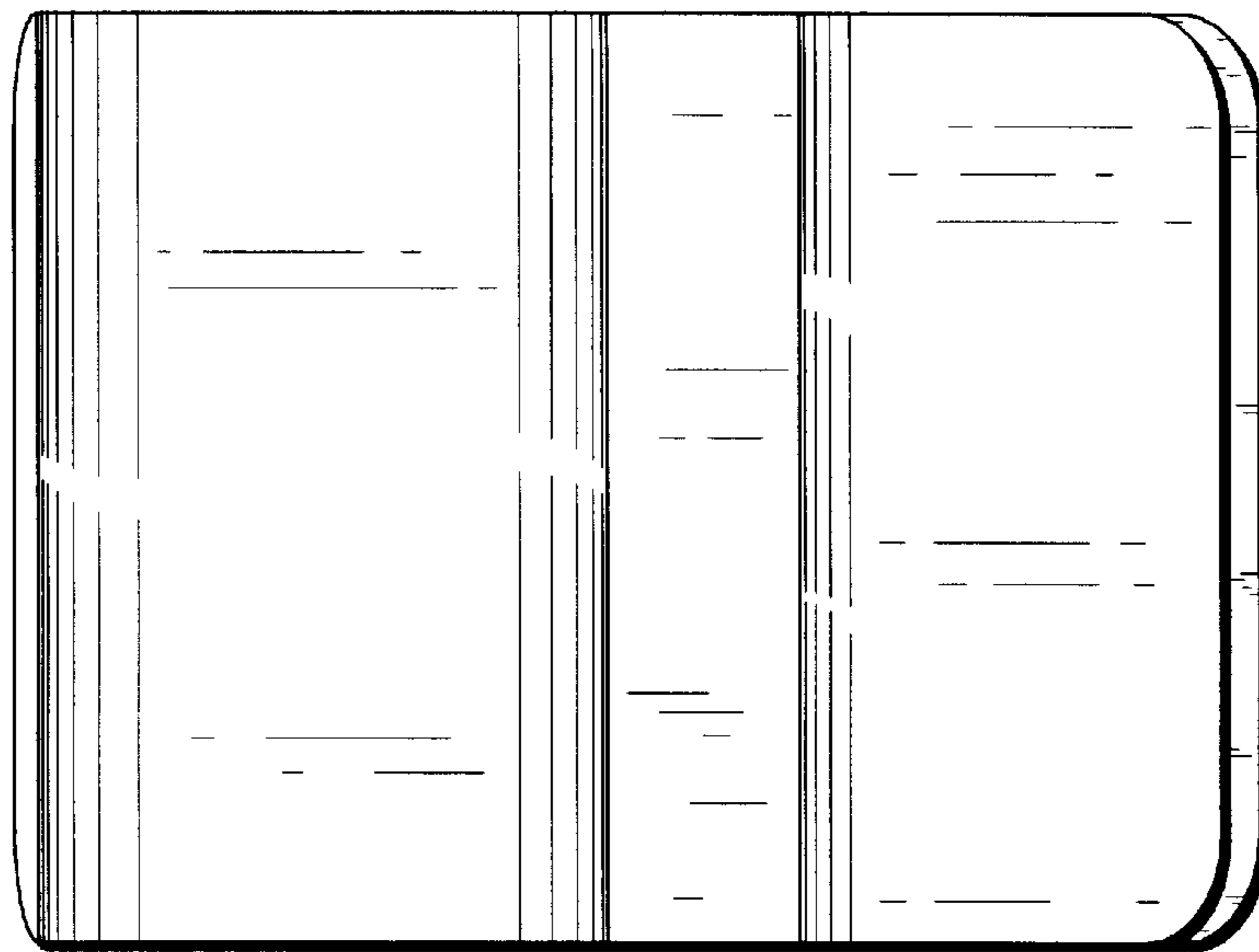


Fig. 4

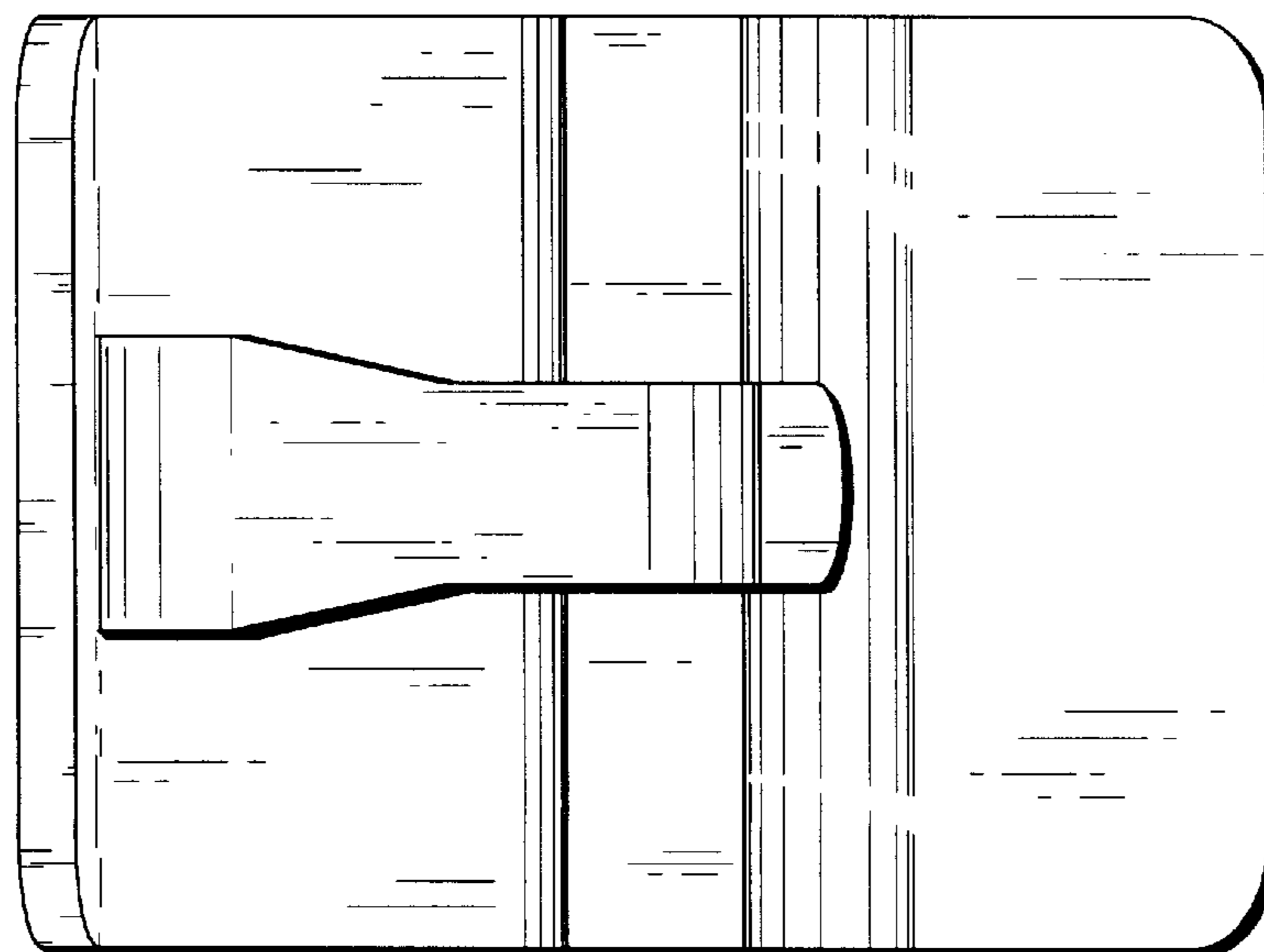


Fig. 5

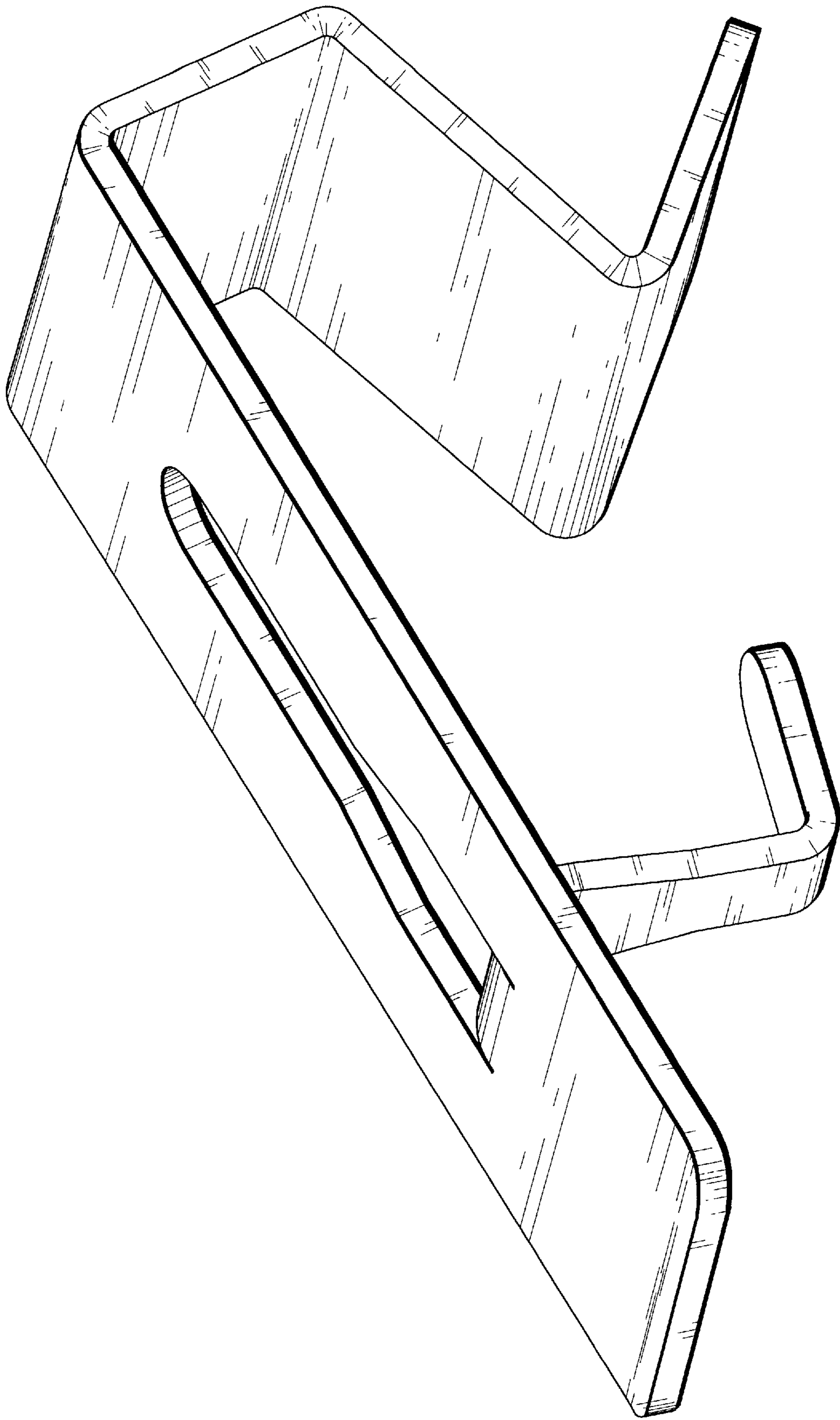


Fig. 6

UNITED STATES PATENT AND TRADEMARK OFFICE
CERTIFICATE OF CORRECTION

PATENT NO. : Des. 398,221

DATED : September 15, 1998

INVENTOR(S) : Darren J. Weber, Jonathan D. Isom, Bradley J. Garrett
and Arjun Madiman

It is certified that error appears in the above-identified patent and that said Letters Patent is hereby corrected as shown below:

On the cover page, at item 75, please change the residency of Arjun Madiman from "Indianapolis, Indiana" to --Tempe, Arizona--.

Signed and Sealed this

Twenty-seventh Day of April, 1999

Attest:



Q. TODD DICKINSON

Attesting Officer

Acting Commissioner of Patents and Trademarks