



US00D398216S

**United States Patent** [19]  
**Woodgate**

[11] **Patent Number: Des. 398,216**  
[45] **Date of Patent: \*\*Sep. 15, 1998**

[54] **SUPPORT BAR COVER**

4,494,896 1/1985 DiFranco ..... 211/123 X

[75] Inventor: **Raymond Maxwell Woodgate**, Melton  
South, Australia

*Primary Examiner*—Holly Baynham  
*Attorney, Agent, or Firm*—Merchant, Gould, Smith, Edell,  
Welter & Schmidt, P.A.

[73] Assignee: **Lettella Pty Ltd.**, Airport West,  
Australia

[\*\*] Term: **14 Years**

[57] **CLAIM**

The ornamental design for support bar cover, as shown and  
described.

[21] Appl. No.: **74,577**

[22] Filed: **Jul. 2, 1997**

**DESCRIPTION**

[30] **Foreign Application Priority Data**

Jan. 6, 1997 [AU] Australia ..... 11/97

FIG. 1 is a top view of the support bar cover of my present  
invention;

[51] **LOC (6) Cl.** ..... **08-05**

FIG. 2 is a front elevational view thereof, the rear elevational  
view being a mirror image;

[52] **U.S. Cl.** ..... **D8/349**

[58] **Field of Search** ..... D8/349, 354, 376-377;  
280/304.1, 851; D19/99; D26/138; 248/284.1;  
211/183; D12/408

FIG. 3 is a left side view thereof, the right side being a mirror  
image;

FIG. 4 is a perspective view thereof; and,

FIG. 5 is a bottom view thereof.

[56] **References Cited**

**U.S. PATENT DOCUMENTS**

4,238,550 12/1980 Burgess et al. .... 428/586

**1 Claim, 2 Drawing Sheets**

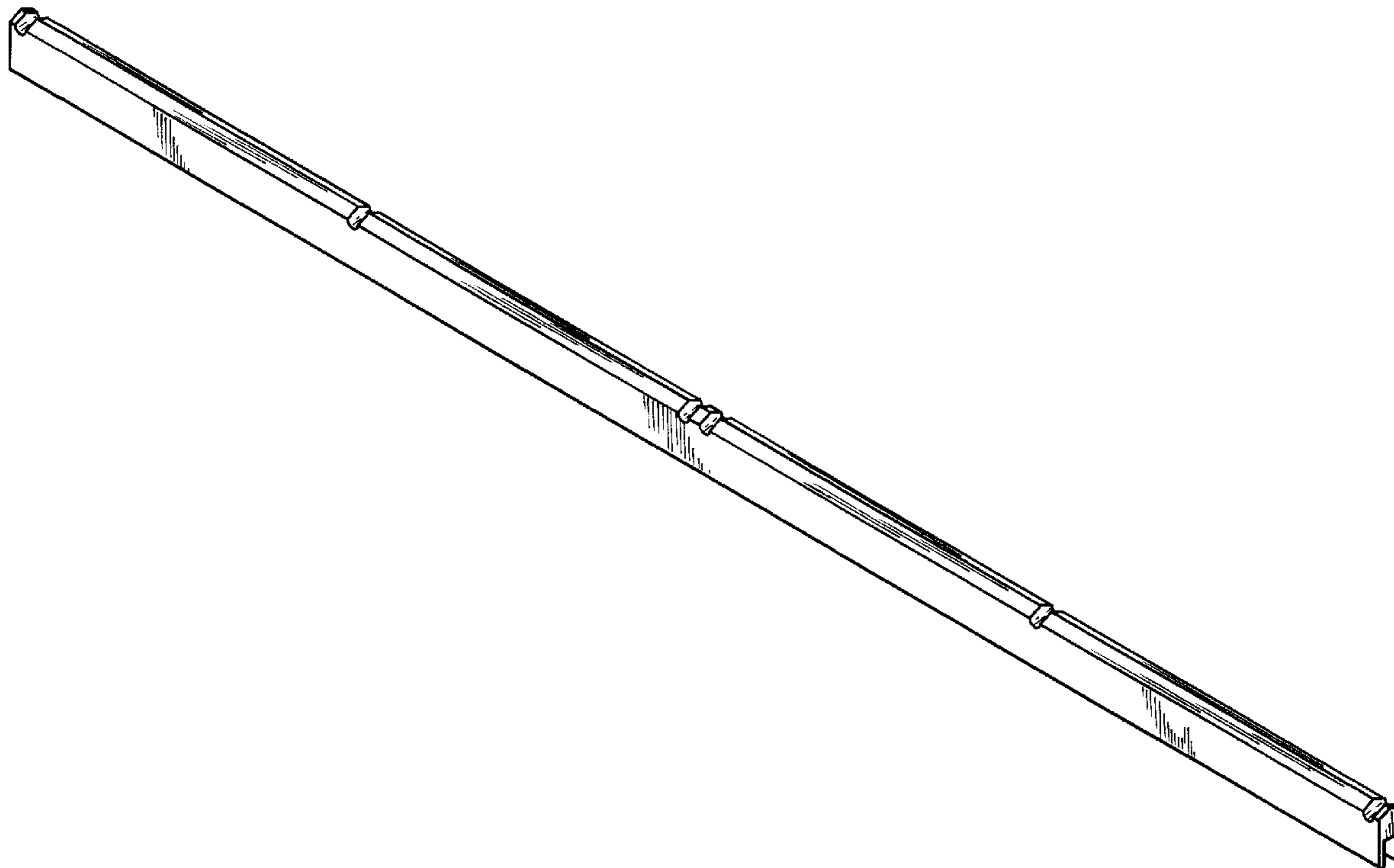




FIG 1

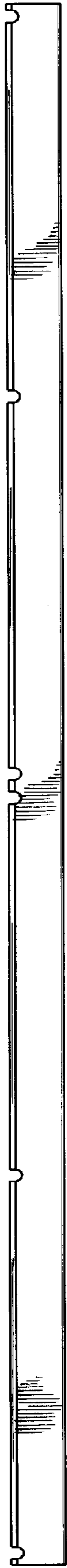


FIG 2

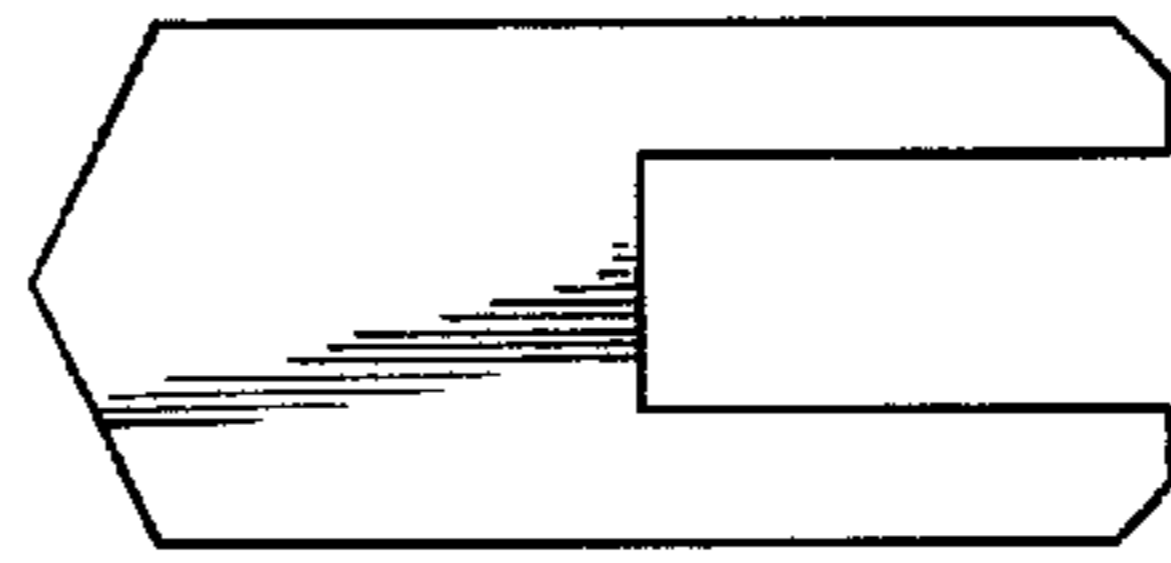


FIG 3

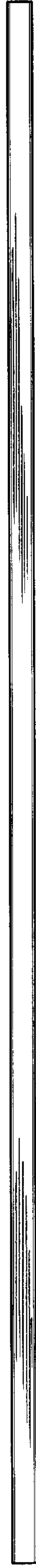


FIG 5

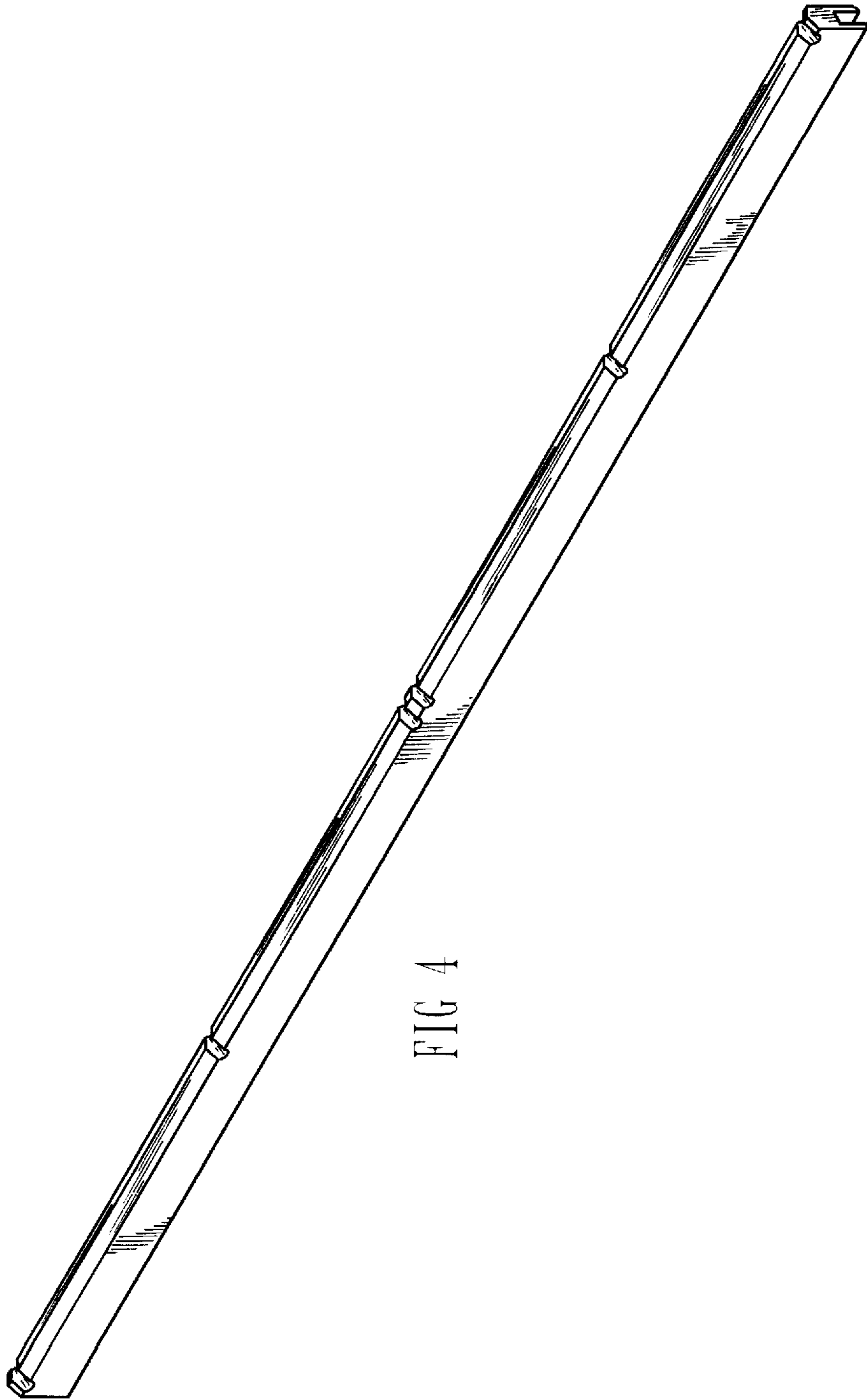


FIG 4

UNITED STATES PATENT AND TRADEMARK OFFICE  
CERTIFICATE OF CORRECTION

PATENT NO. : Des. 398,216  
DATED : SEPTEMBER 15, 1998  
INVENTOR(S) : WOODGATE

It is certified that error appears in the above-identified patent and that said Letters Patent is hereby corrected as shown below:  
ON THE TITLE PAGE,  
ITEM, [73] Assignee: "Lettella" should read --Lettela--

Signed and Sealed this  
Eighteenth Day of May, 1999

Attest:



Q. TODD DICKINSON

Attesting Officer

Acting Commissioner of Patents and Trademarks