



US00D398213S

United States Patent [19] Rivera

[11] **Patent Number: Des. 398,213**

[45] **Date of Patent: **Sep. 15, 1998**

[54] **MULTIPURPOSE TOOL**

[75] Inventor: **Benjamin C. Rivera**, West Linn, Oreg.

[73] Assignee: **Leatherman Tool Group, Inc.**,
Portland, Oreg.

[**] Term: **14 Years**

[21] Appl. No.: **79,222**

[22] Filed: **Oct. 30, 1997**

[51] **LOC (6) Cl. 08-03**

[52] **U.S. Cl. D8/105**

[58] **Field of Search** D8/52, 55, 99,
D8/105, 107; 7/118, 128, 132, 158, 106,
142, 168, 163, 164, 129, 119, 166, 167;
81/427.5, 440; 30/254

[56] **References Cited**

U.S. PATENT DOCUMENTS

124,566 3/1872 Garrick 7/119

D. 286,501 11/1986 Magan D8/105
4,384,499 5/1983 Shockley 81/440
4,744,272 5/1988 Leatherman 81/427.5
5,491,856 2/1996 Legg 7/128

Primary Examiner—Freda Nunn
Attorney, Agent, or Firm—Chernoff, Vilhauer, McClung &
Stenzel

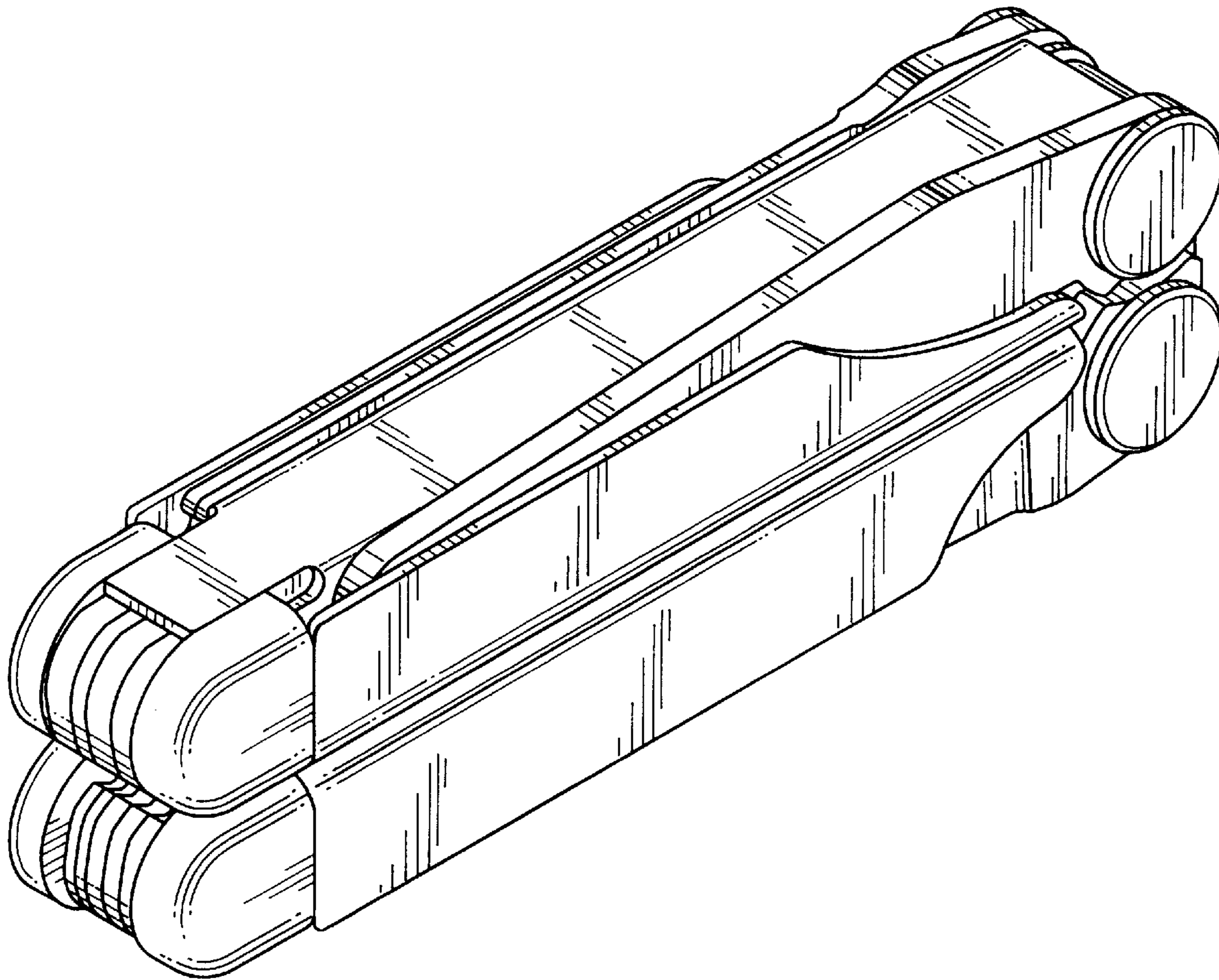
[57] **CLAIM**

The ornamental design for a multipurpose tool, as shown
and described

DESCRIPTION

FIG. 1 is an isometric view of a multipurpose tool, in a
folded configuration thereof, showing my new design;
FIG. 2 is a side elevational view thereof, the opposite side
thereof having an appearance identical therewith;
FIG. 3 is a top plan view thereof;
FIG. 4 is a bottom plan view thereof;
FIG. 5 is a right end view thereof; and,
FIG. 6 is a left end view thereof.

1 Claim, 2 Drawing Sheets



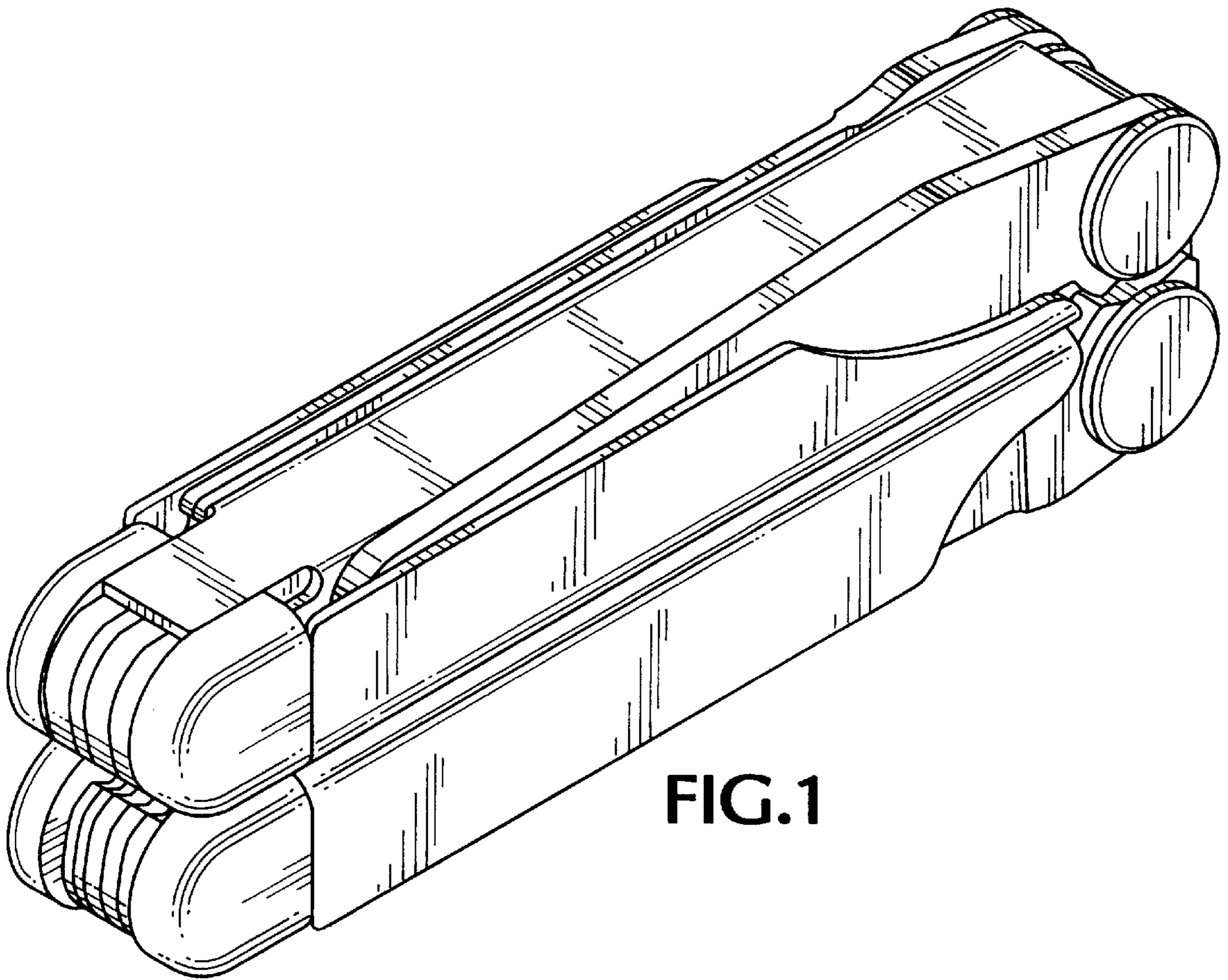


FIG.1

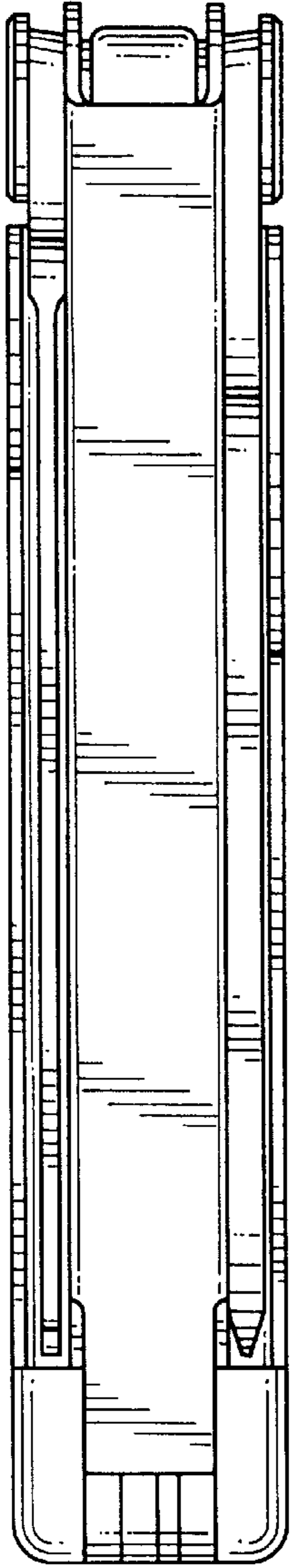


FIG. 3

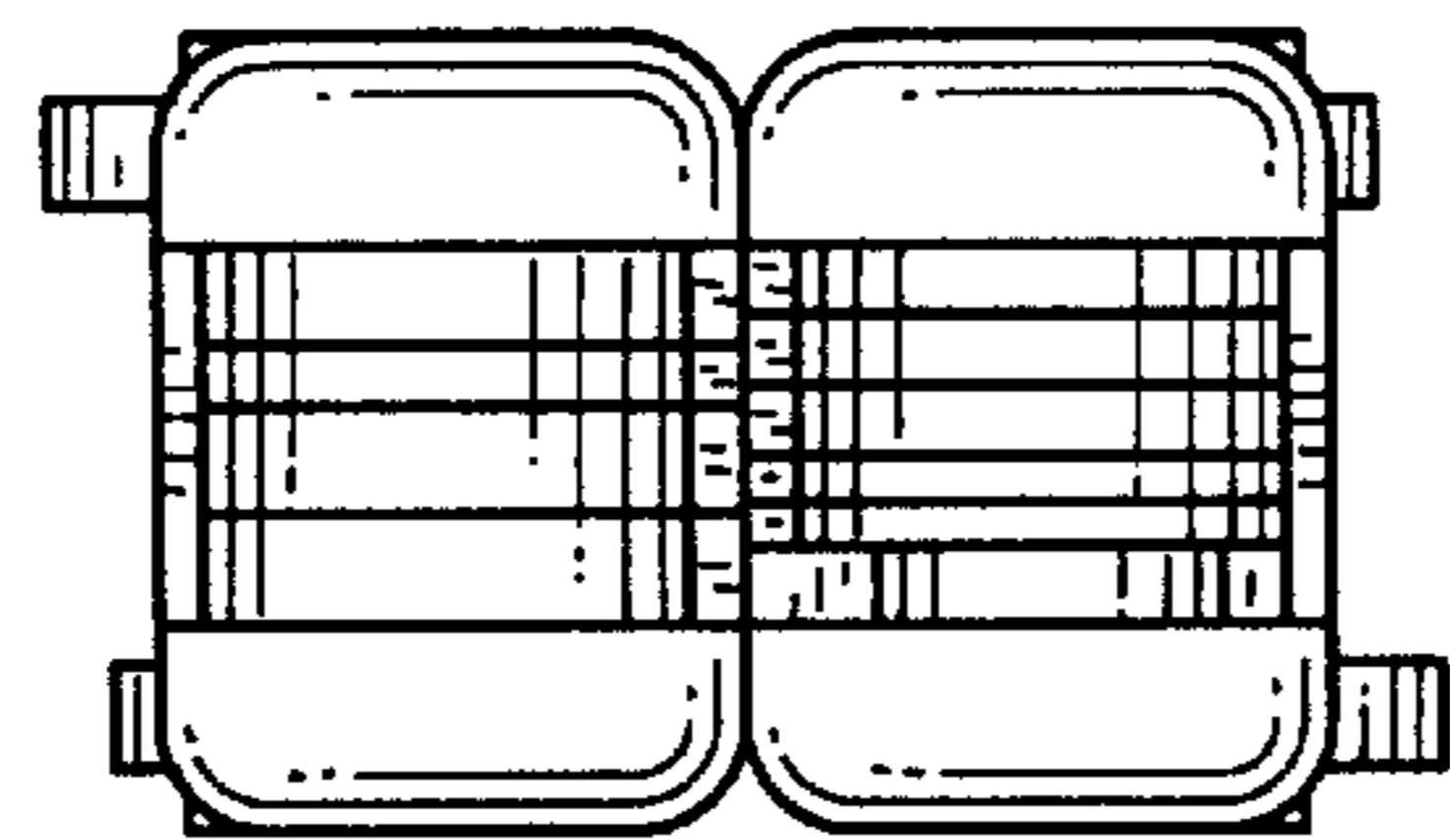


FIG. 6

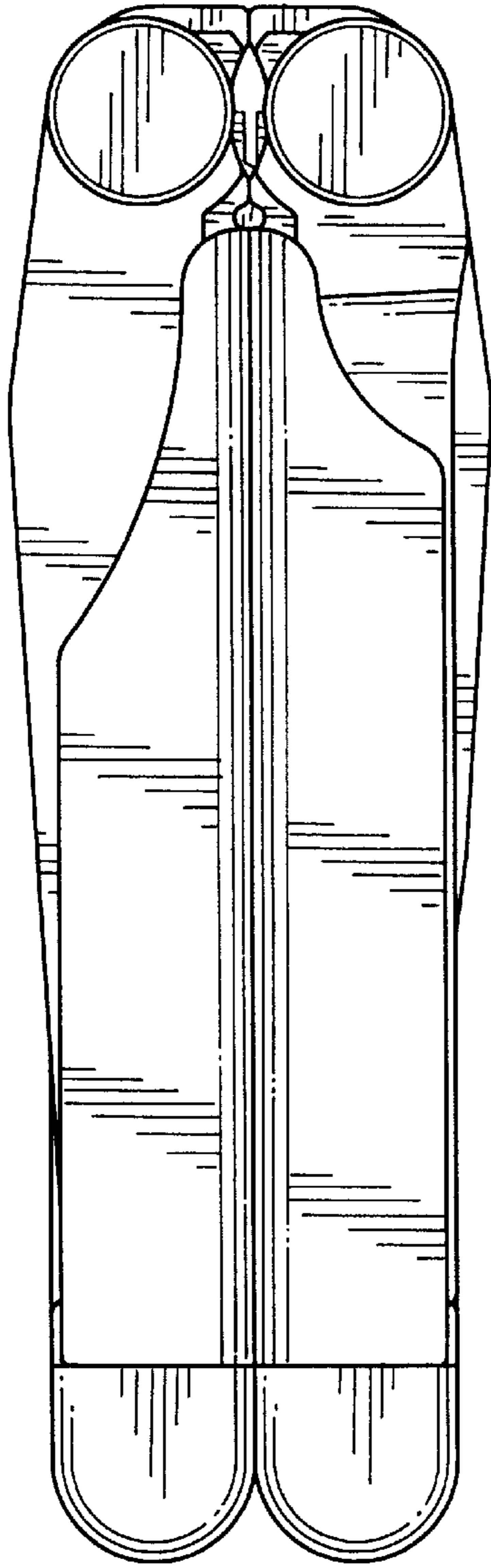


FIG. 2

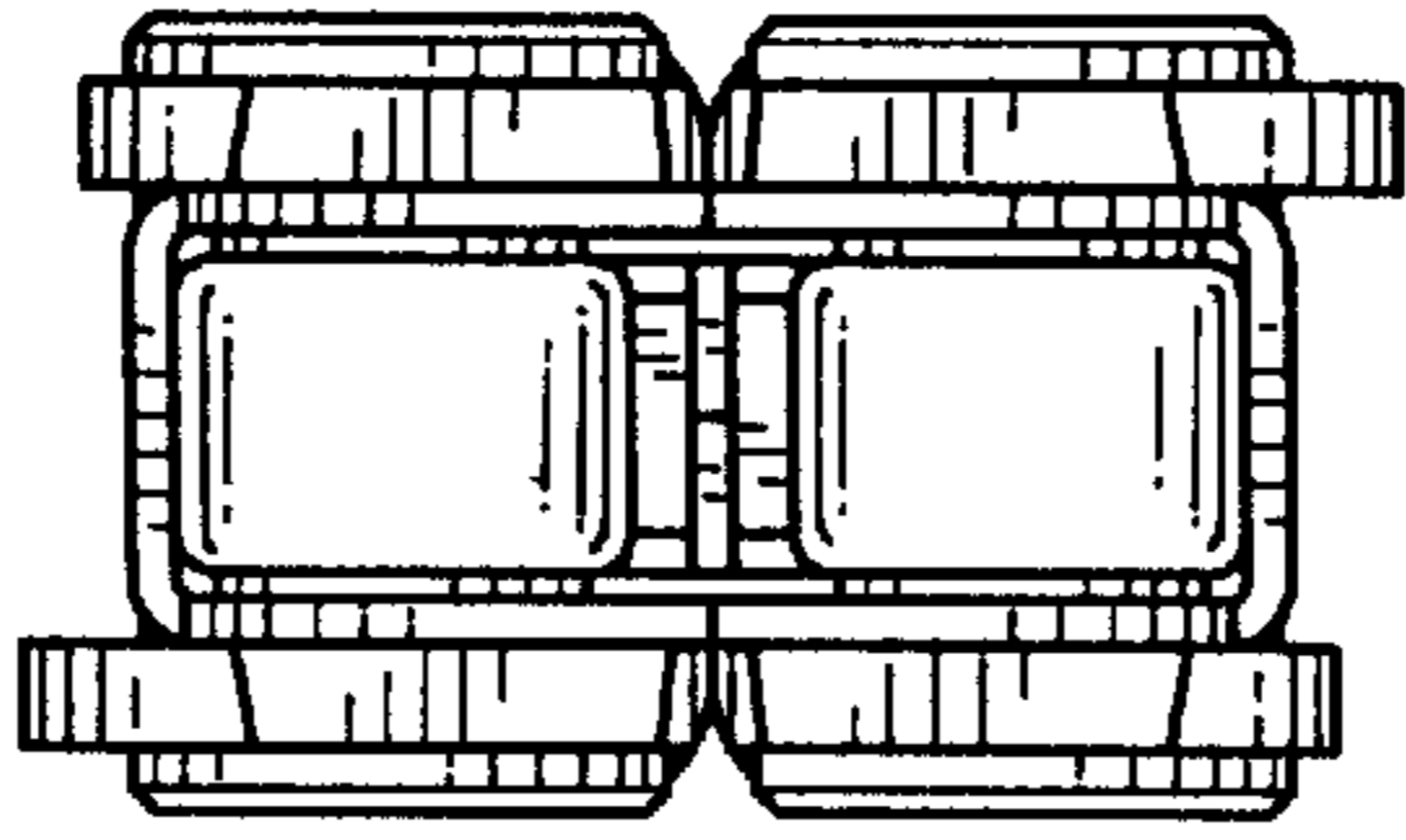


FIG. 5

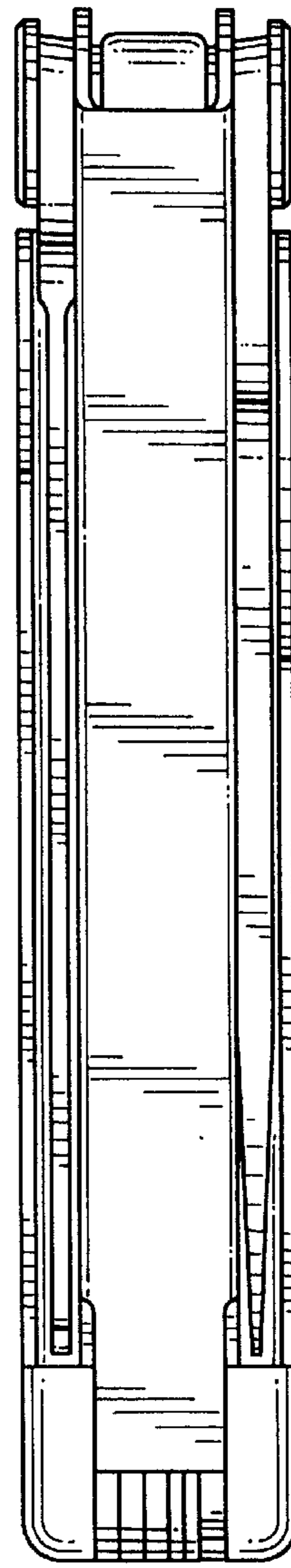


FIG. 4