



US00D398206S

# United States Patent [19]

Visser

[11] Patent Number: Des. 398,206

[45] Date of Patent: \*\*Sep. 15, 1998

[54] COLOR COORDINATING TOOL

[76] Inventor: **Johan Visser**, 2101 B Central Ave., Alameda, Calif. 94501

[\*\*] Term: **14 Years**

[21] Appl. No.: **64,546**

[22] Filed: **Jan. 6, 1997**

[51] LOC (6) Cl. .... **08-05**

[52] U.S. Cl. .... **D8/51**

[58] Field of Search ..... D8/14, 51; D19/65, D19/75, 84, 86, 90, 99; D21/64, 93, 96, 240; 366/53, 54, 65, 197, 605, 343, 244, 293, 318, 316; 241/30

[56] **References Cited**

**U.S. PATENT DOCUMENTS**

1,655,447	1/1928	Wait	.....	366/316	X
2,879,044	3/1959	Gunas	.....	366/605	X
3,347,083	10/1967	Turpin et al.	.....	D21/64	X
4,176,797	12/1979	Kemp	.....	241/30	

Primary Examiner—Freda Nunn

Attorney, Agent, or Firm—David O'Reilly

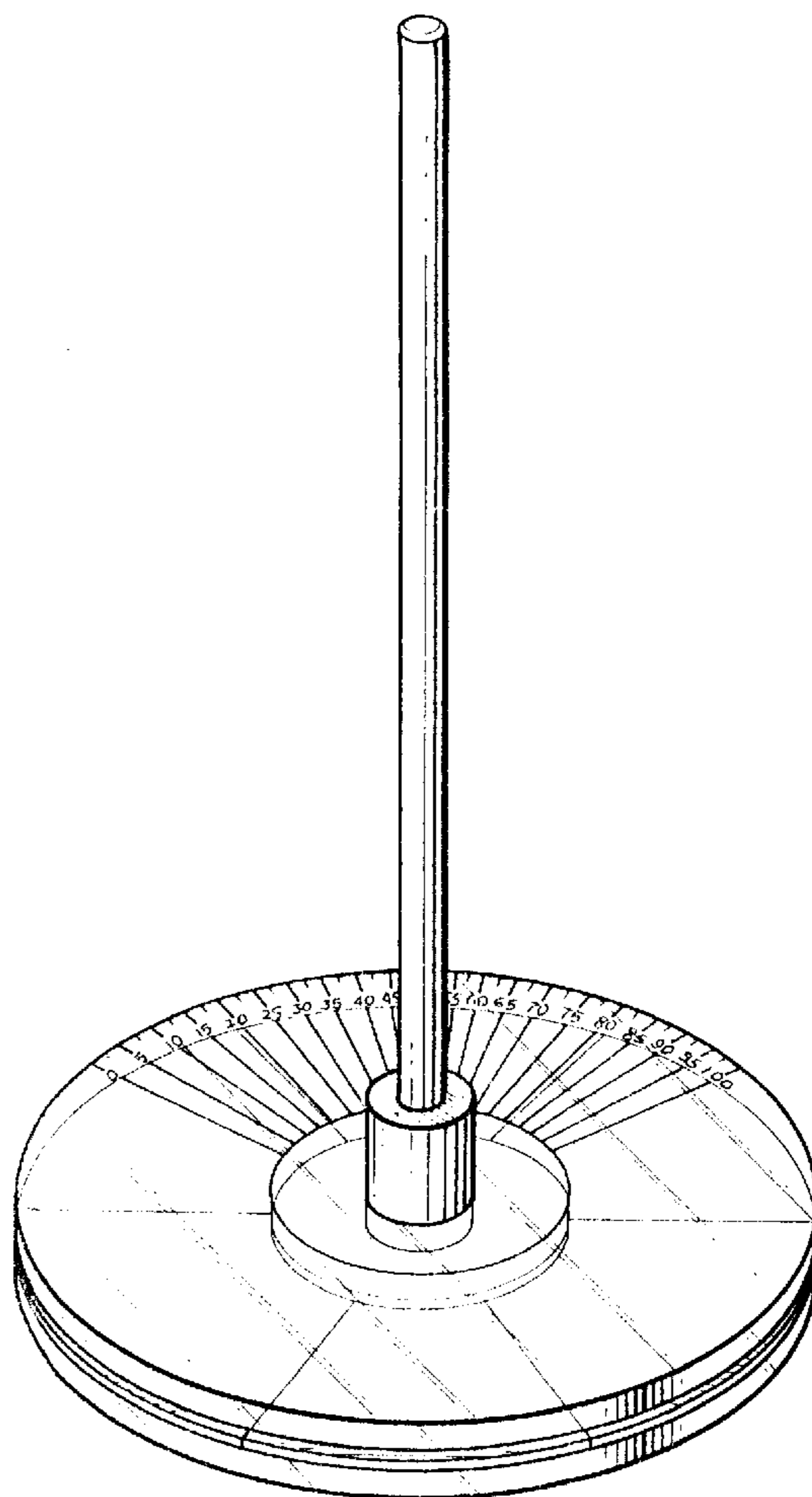
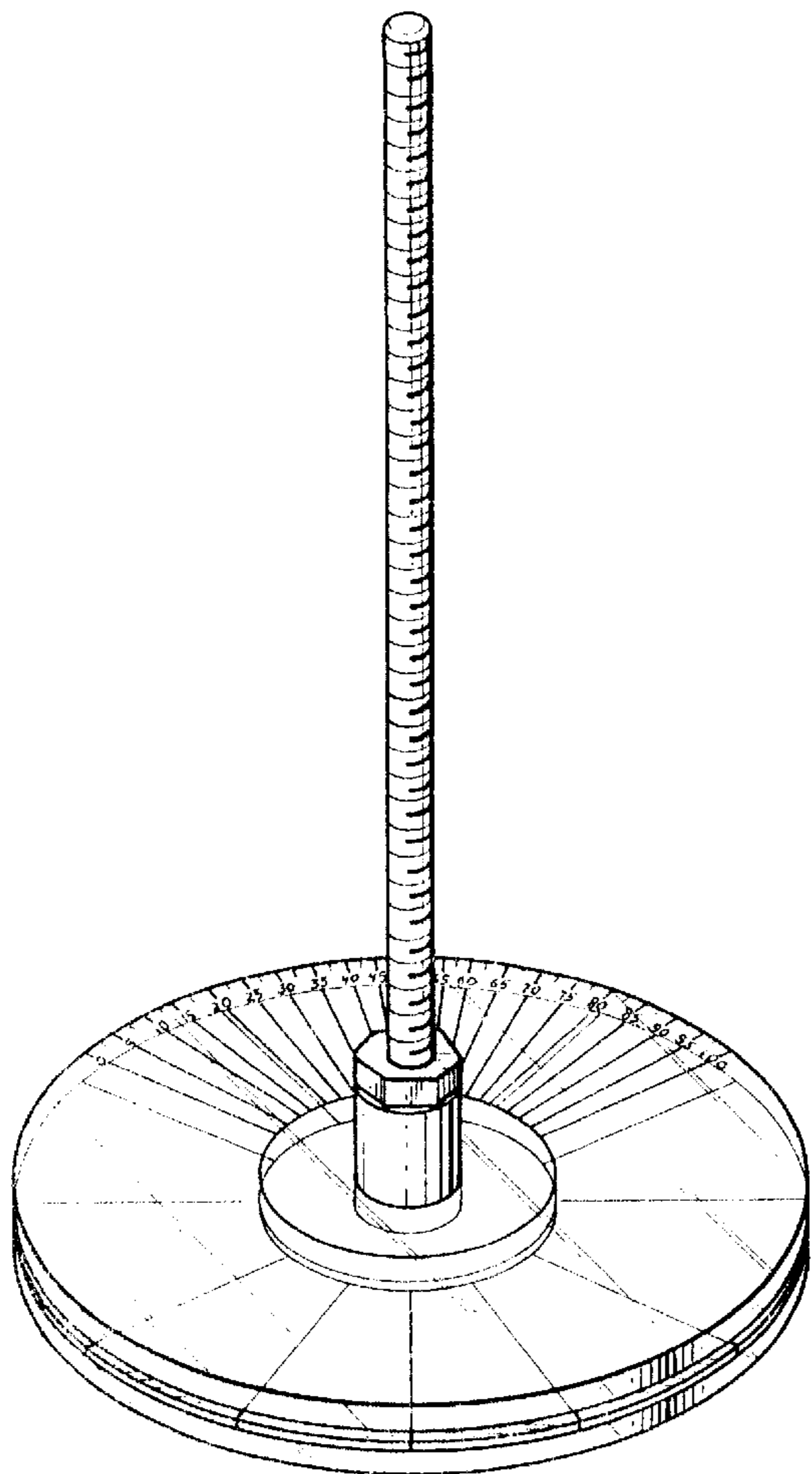
[57] **CLAIM**

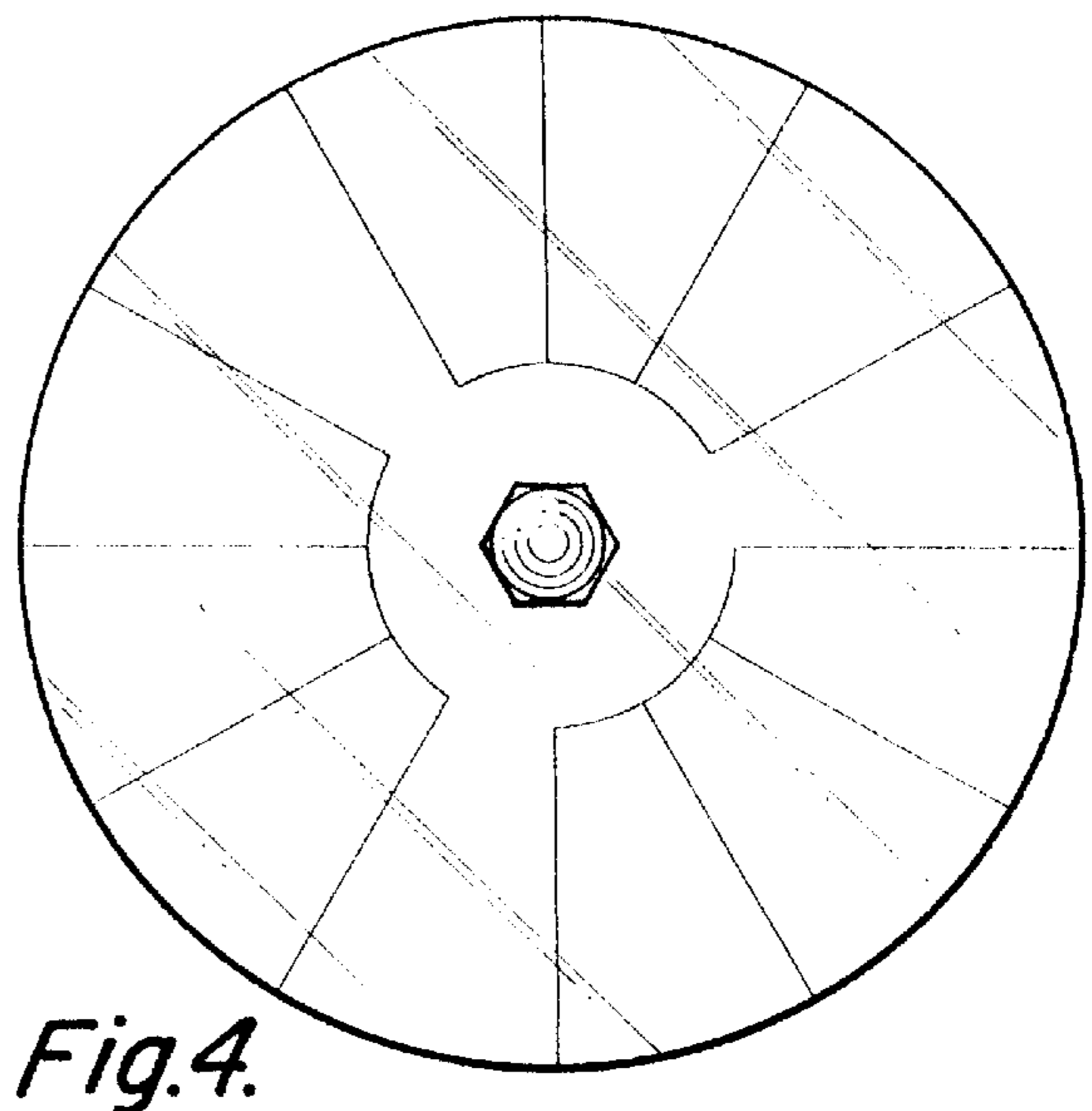
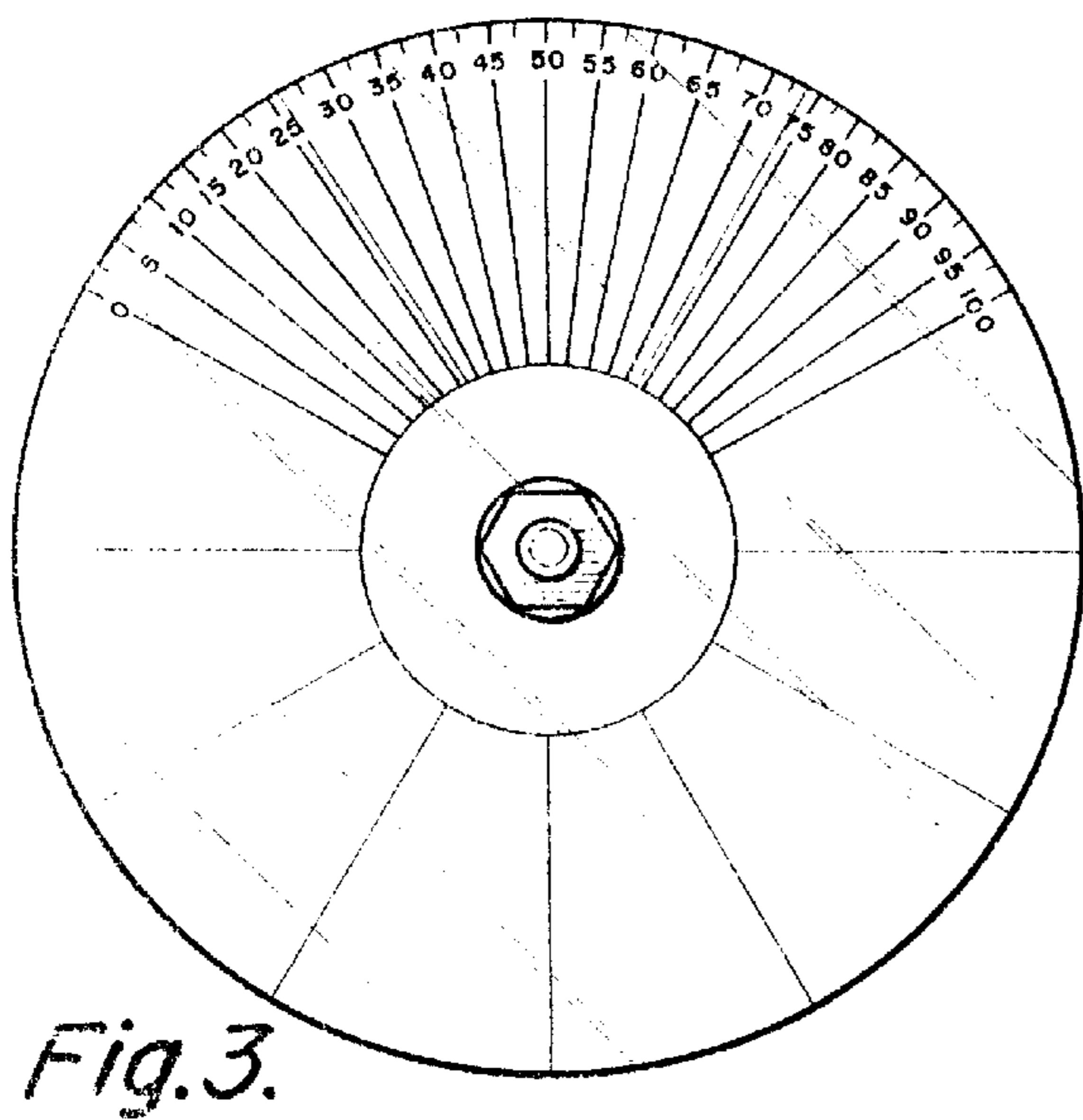
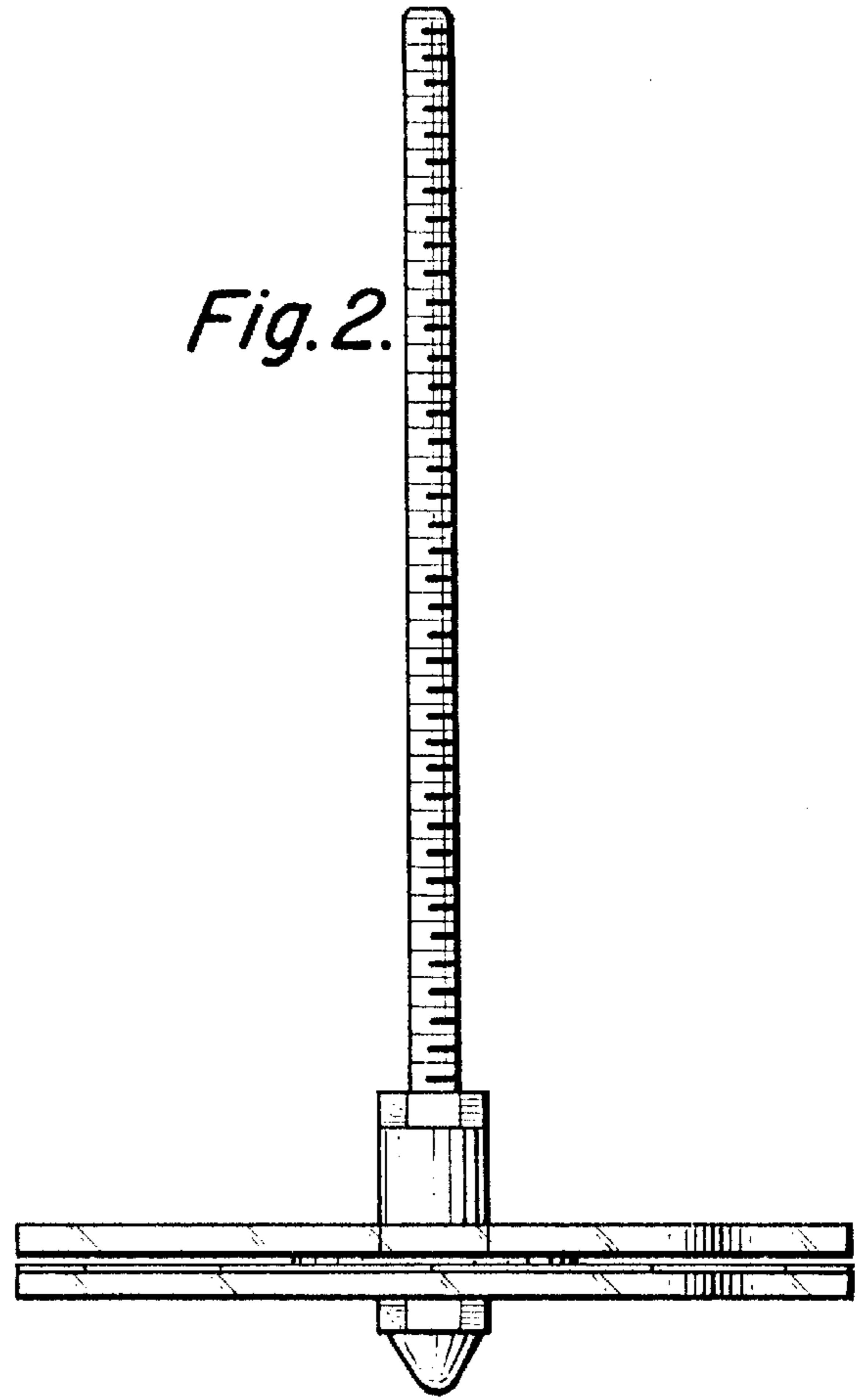
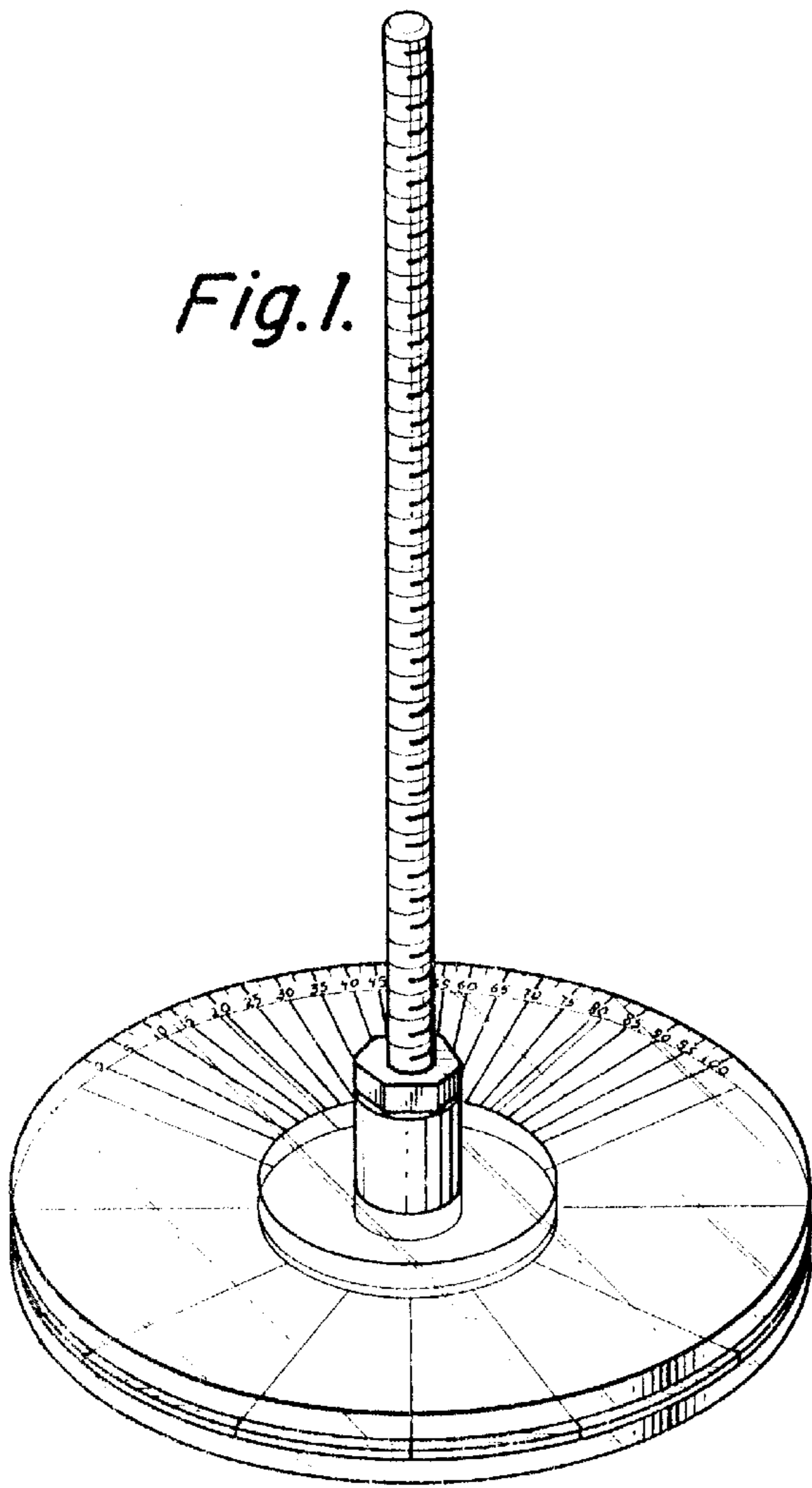
The ornamental design for a color coordinating tool, as shown and described.

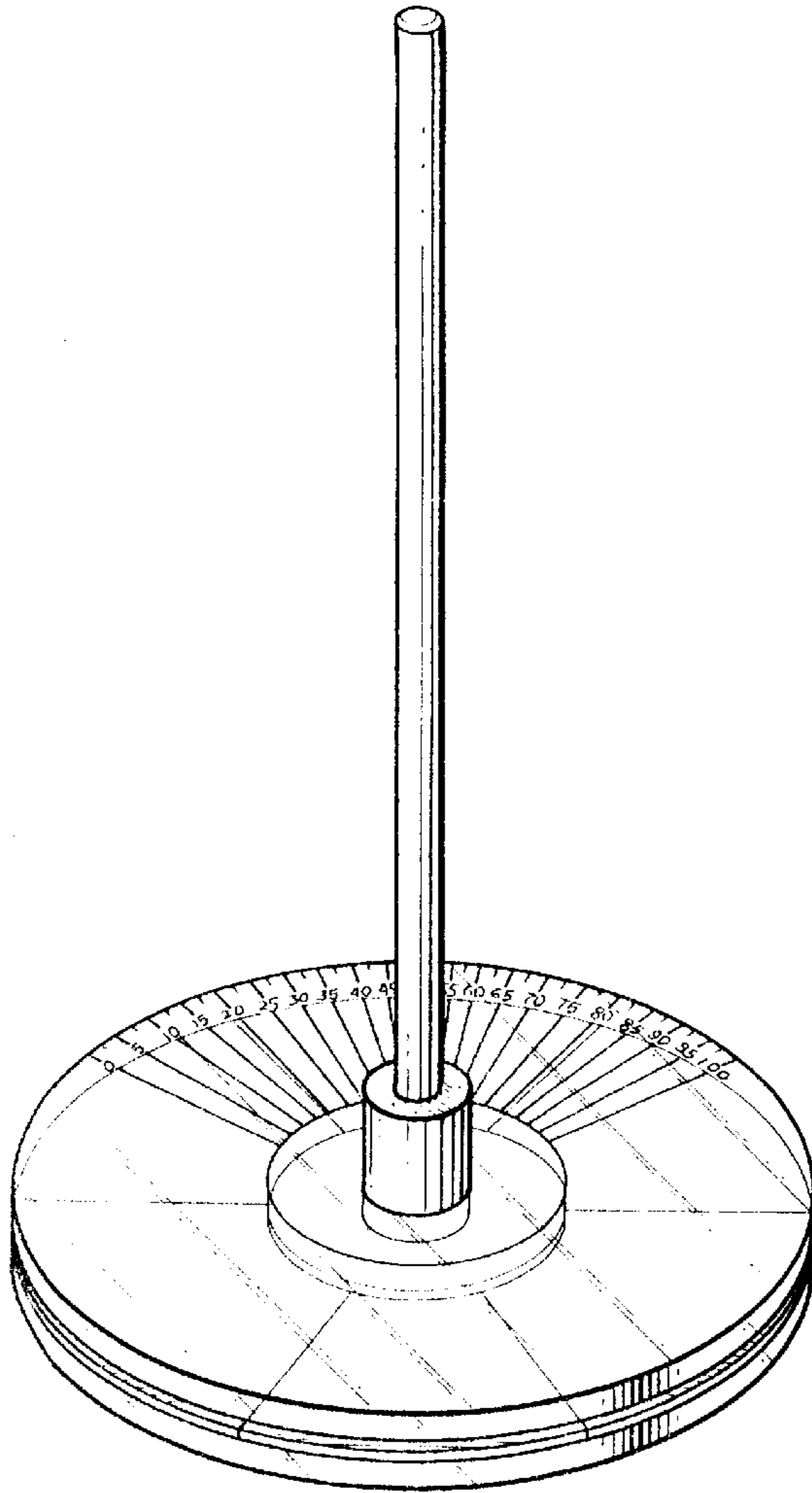
**DESCRIPTION**

FIG. 1 is an isometric view of a color coordinating tool according to the invention;  
 FIG. 2 is a side elevation thereof the undisclosed side is a mirror image;  
 FIG. 3 is a top view thereof;  
 FIG. 4 is a bottom view thereof;  
 FIG. 5 is an isometric view of a second embodiment according to the invention;  
 FIG. 6 is an isometric view of a third embodiment according to the invention;  
 The undisclosed side views of the second and third embodiments are identical to the sides shown in FIGS. 5 and 6 and the bottom views are similar to the top views of the above figures the only difference being the exclusion of the central element and the indicia and the inclusion of a nut which is shown in the first embodiment.

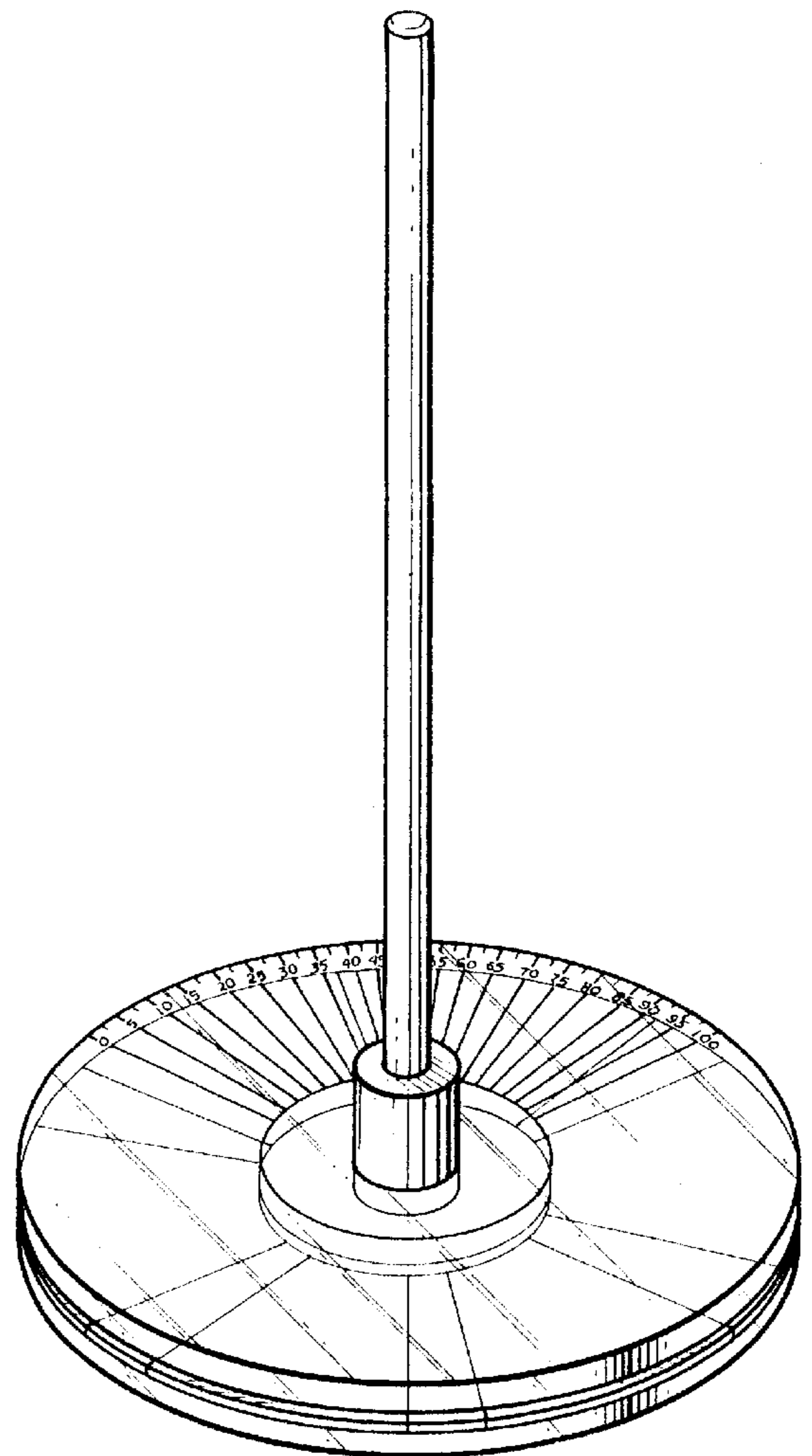
**1 Claim, 2 Drawing Sheets**







*Fig. 5.*



*Fig. 6.*