



US00D398203S

United States Patent [19]

Naccarato et al.

[11] Patent Number: **Des. 398,203**

[45] Date of Patent: ****Sep. 15, 1998**

- [54] **LEVER ACTION CULTIVATOR**
- [75] Inventors: **Robert Naccarato**, Salt Lake City;
Bradley Olsen, Ivins, both of Utah
- [73] Assignee: **Leverage Digger Incorporated**,
Midvale, Utah
- [**] Term: **14 Years**
- [21] Appl. No.: **63,753**
- [22] Filed: **Dec. 16, 1996**
- [51] **LOC (6) Cl.** **08-01**
- [52] **U.S. Cl.** **D8/13**
- [58] **Field of Search** D8/1, 6, 13; 294/49,
294/50, 52, 55.5, 57-59; 172/371, 378;
254/131, 131.5; 7/114, 115

- 4,461,458 7/1984 Poulin .
- 4,815,778 3/1989 Hoch .
- 5,033,782 7/1991 Hirzel .
- 5,060,343 10/1991 Nisenbaum .
- 5,360,071 11/1994 Bergendorf .

FOREIGN PATENT DOCUMENTS

337180 10/1930 United Kingdom 294/55.5

OTHER PUBLICATIONS

Langenbach, Spring 1992, Spike Lawn Aerator—item No. 2504, p. 20.

Primary Examiner—Freda Nunn
Assistant Examiner—Lavone D. Tabor
Attorney, Agent, or Firm—Thorpe, North & Western, L.L.P.

[57] CLAIM

The ornamental design for a lever action cultivator, as shown and described.

[56] References Cited

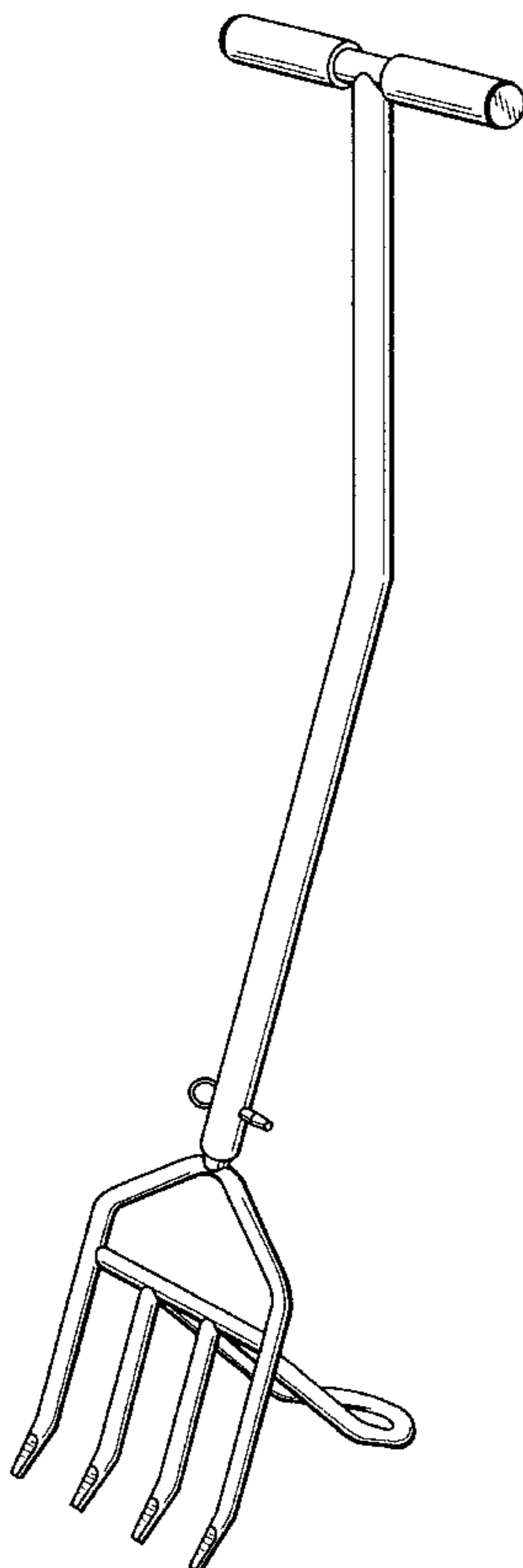
U.S. PATENT DOCUMENTS

- 567,391 9/1896 Hopper .
- 943,325 12/1909 Stewart .
- 1,037,734 9/1912 De Haven .
- 1,194,197 8/1916 Jones .
- 1,521,086 12/1924 Fegebank .
- 1,556,480 10/1925 Bodine .
- 1,973,310 9/1934 Glasier .
- 2,181,189 11/1939 Lathan .
- 2,419,015 4/1947 Gascoigne et al. 254/131.5
- 3,115,359 12/1963 Hendrick 294/57 X
- 3,858,814 1/1975 Wagner, Jr. .

DESCRIPTION

FIG. 1 is a perspective view of a lever action cultivator showing our new design
FIG. 2 is a front elevational view thereof;
FIG. 3 is left side elevational view thereof;
FIG. 4 is a rear elevational view thereof;
FIG. 5 is a right side elevational view thereof;
FIG. 6 is a bottom plan view thereof; and,
FIG. 7 is a top plan view thereof.

1 Claim, 4 Drawing Sheets



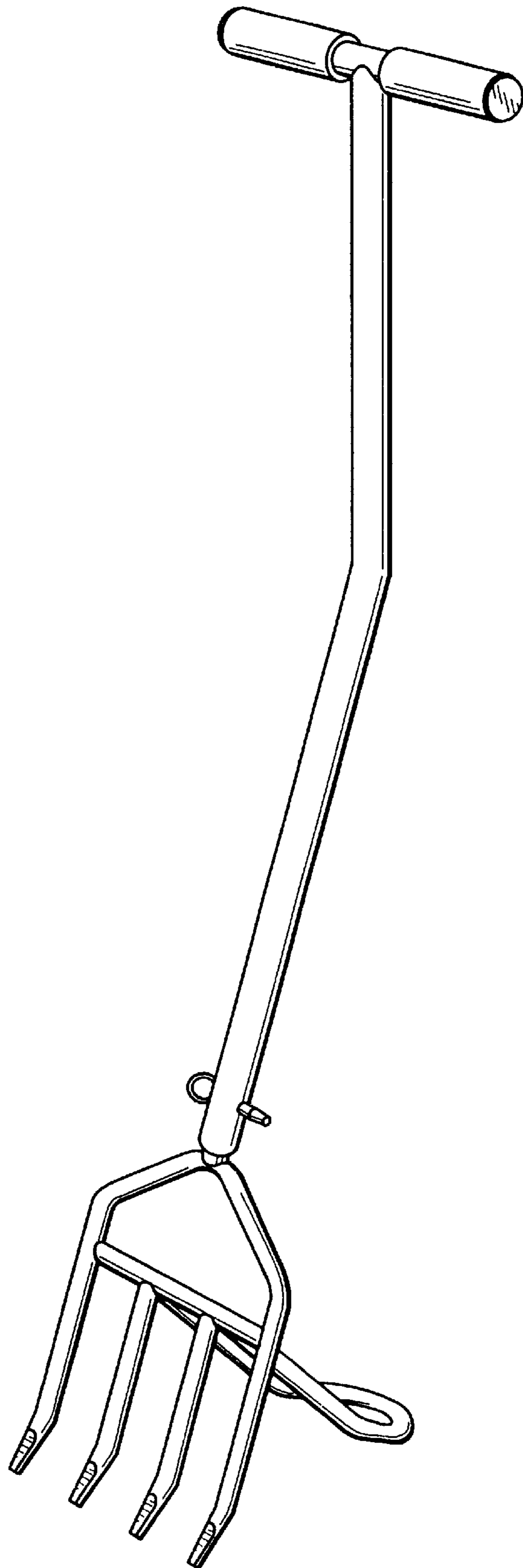


Fig. 1

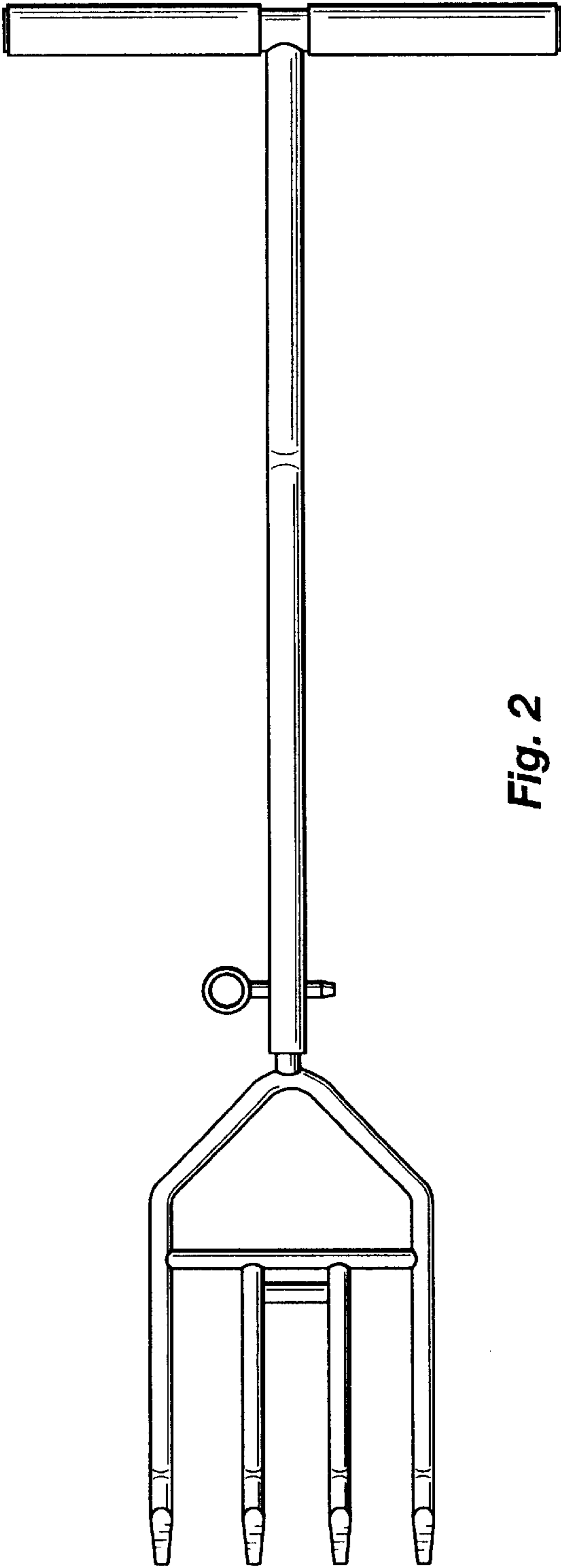


Fig. 2

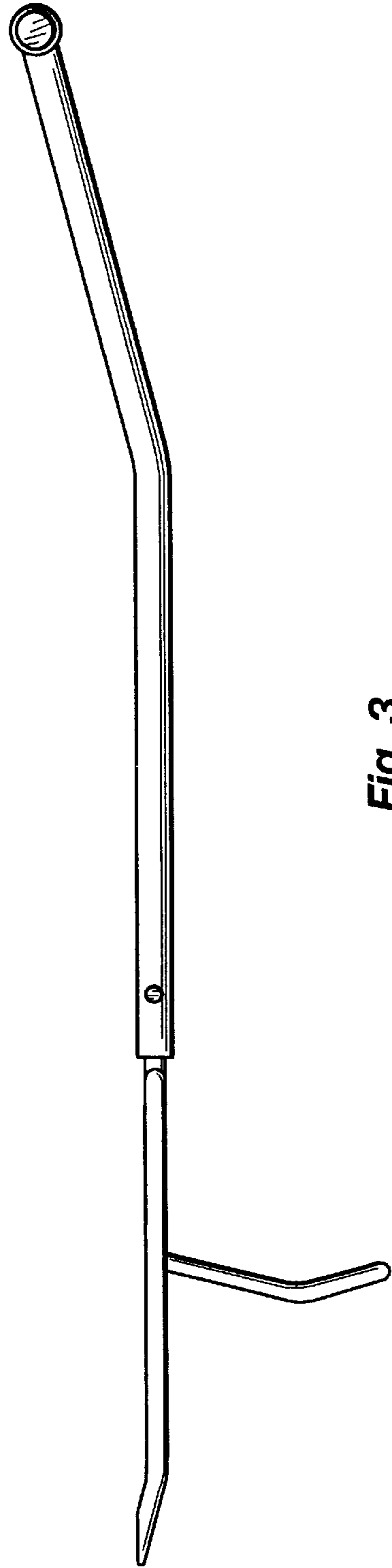


Fig. 3

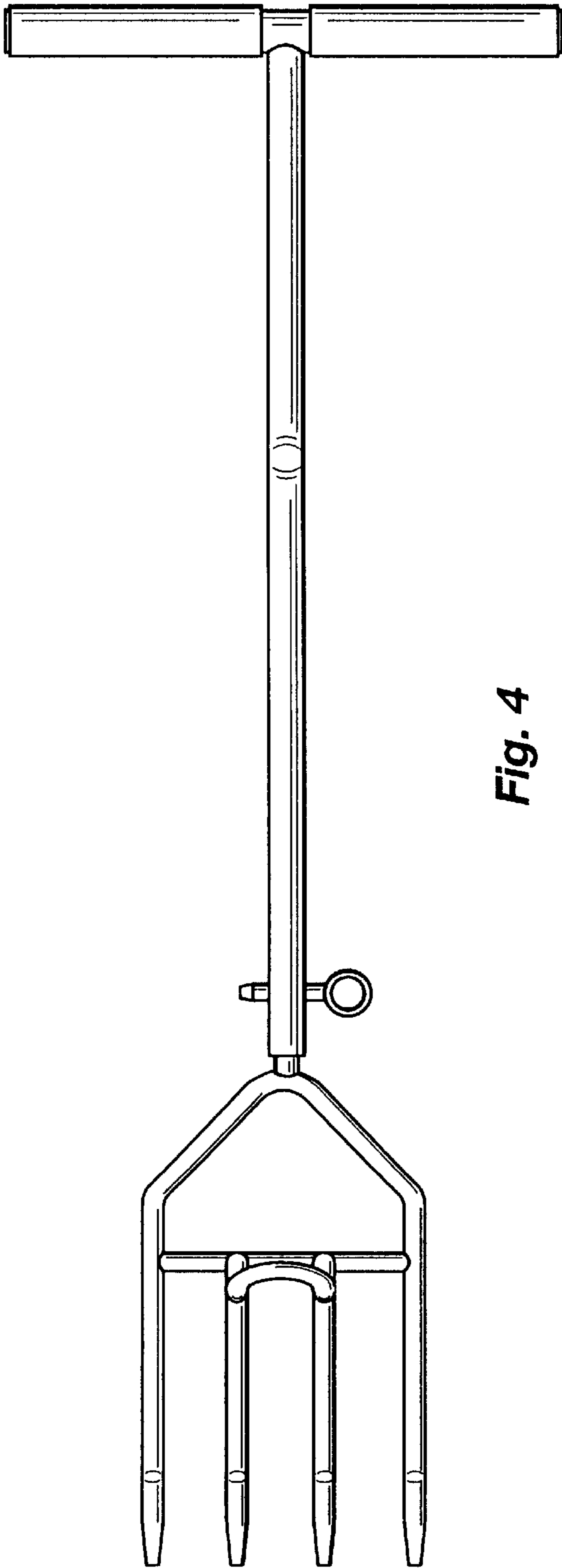


Fig. 4

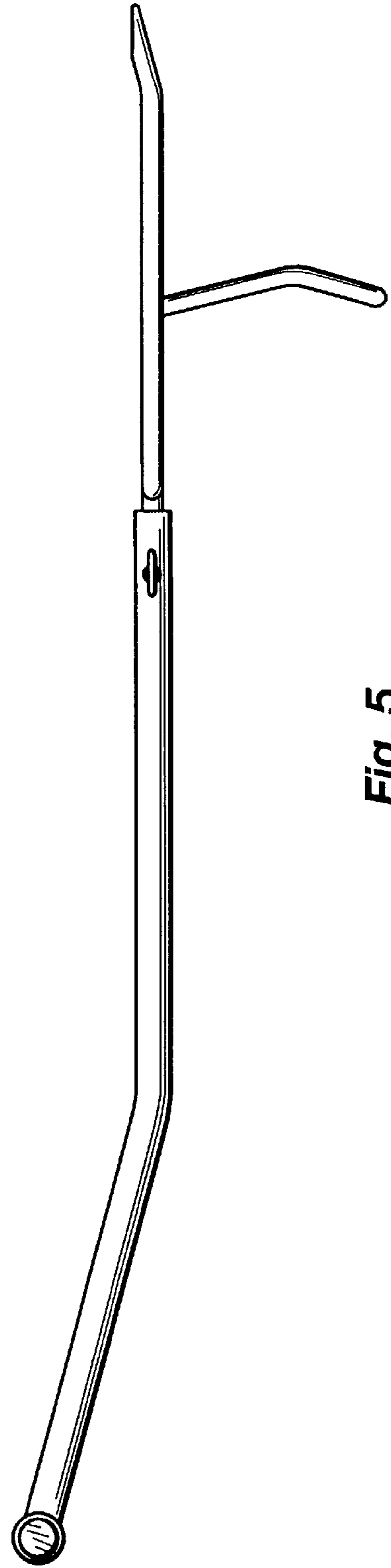


Fig. 5

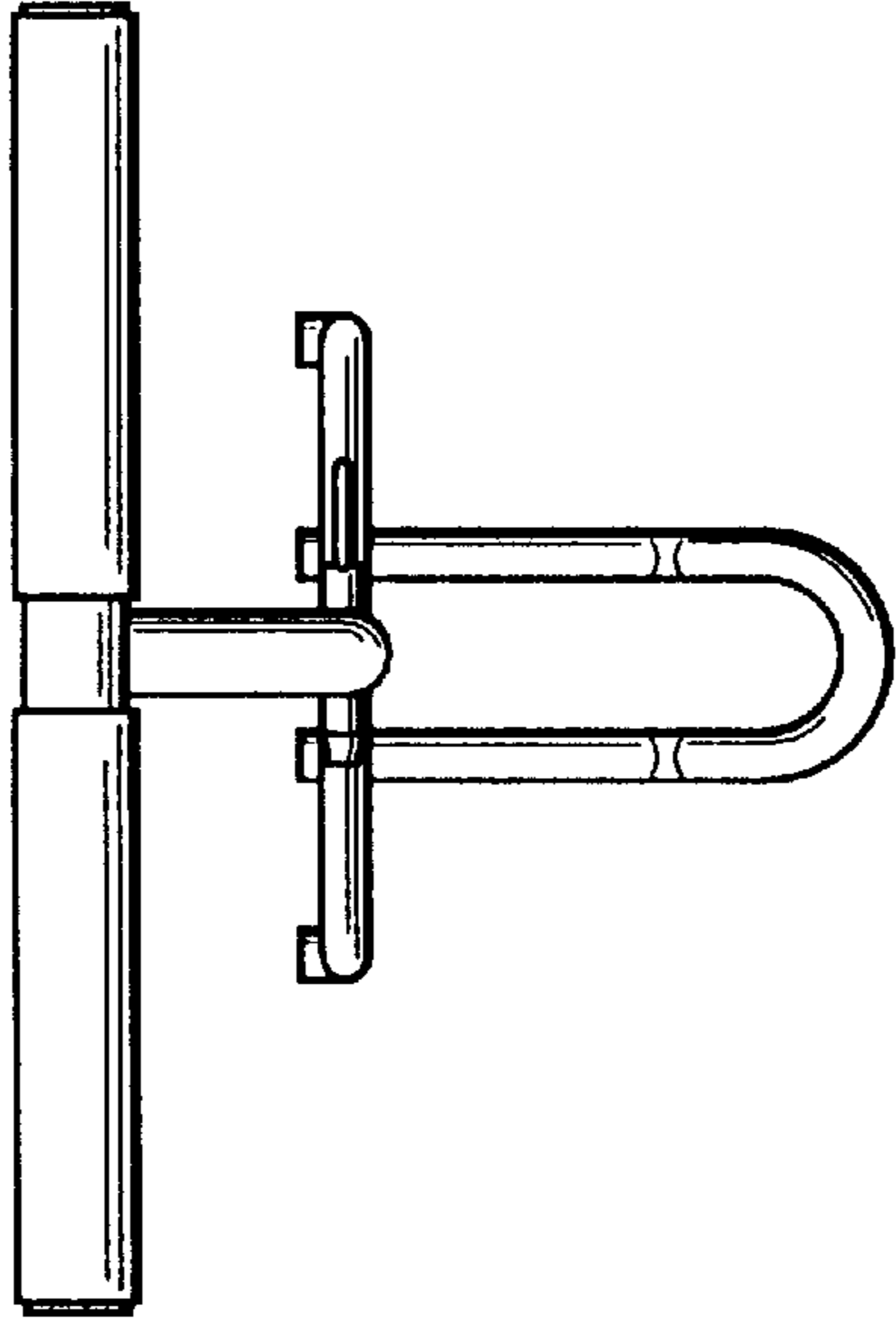


Fig. 7

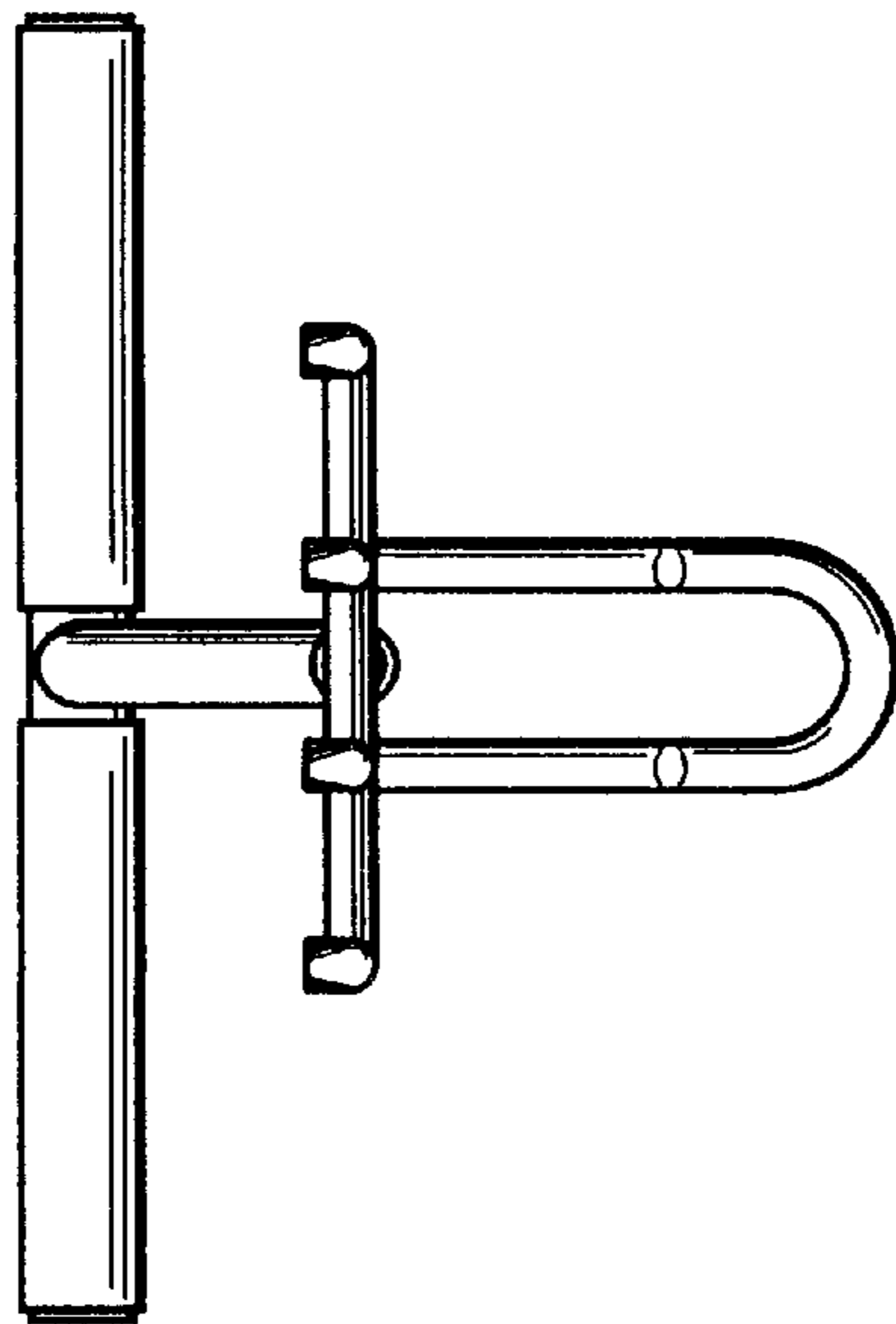


Fig. 6