



US00D398194S

**United States Patent** [19]  
**Ozias**

[11] **Patent Number: Des. 398,194**

[45] **Date of Patent: \*\*Sep. 15, 1998**

[54] **COASTER**

[76] **Inventor: David Ozias, 3492 Belinda, Sterling Heights, Mich. 48310**

[\*\*] **Term: 14 Years**

[21] **Appl. No.: 70,235**

[22] **Filed: May 2, 1997**

[51] **LOC (6) Cl. .... 07-06**

[52] **U.S. Cl. .... D7/624**

[58] **Field of Search ..... D7/624, 625; 215/393-395; 220/737; 248/346.11**

[56] **References Cited**

**U.S. PATENT DOCUMENTS**

- D. 165,818 2/1952 Betner ..... D7/625
- D. 173,018 9/1954 Cosmetto ..... D7/624

*Primary Examiner*—Terry A. Wallace  
*Attorney, Agent, or Firm*—Reising, Ethington, Learman & McCulloch

[57] **CLAIM**

The ornamental design for a coaster, as shown and described.

**DESCRIPTION**

FIG. 1 is a top perspective view of a coaster showing my new design;

FIG. 2 is a top plan view thereof;

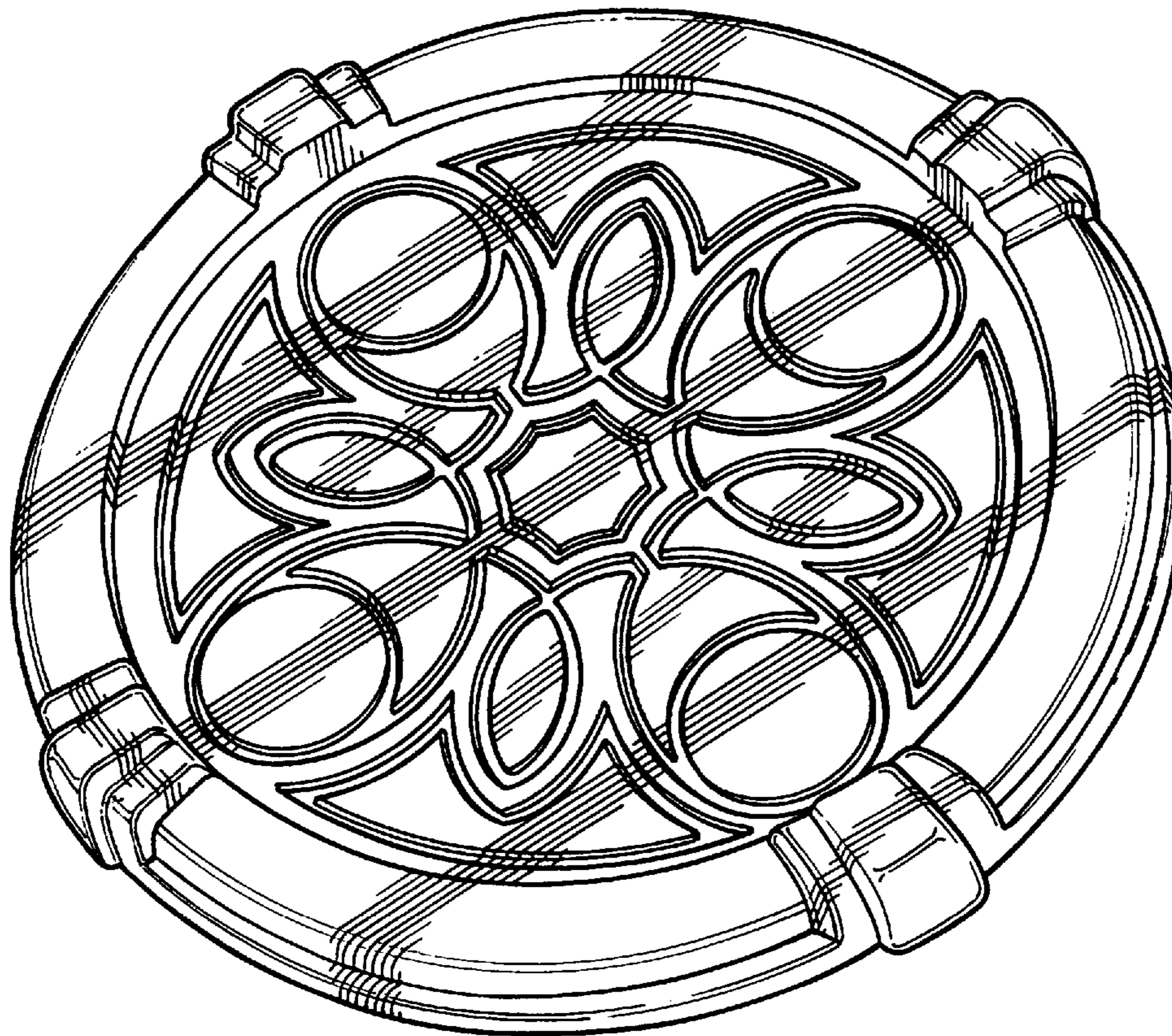
FIG. 3 is a side elevational view thereof, the other sides being the same as the side shown;

FIG. 4 is a cross-sectional view taken along the lines 4—4 shown in FIG. 2; and,

FIG. 5 is an enlarged fragmentary view of an outer peripheral section thereof.

The broken lines in FIGS. 3 and 4 represent anti-scratch foot pads attached to the bottom of the coaster but form no part of the claimed design and are merely present for illustration purposes only.

**1 Claim, 2 Drawing Sheets**





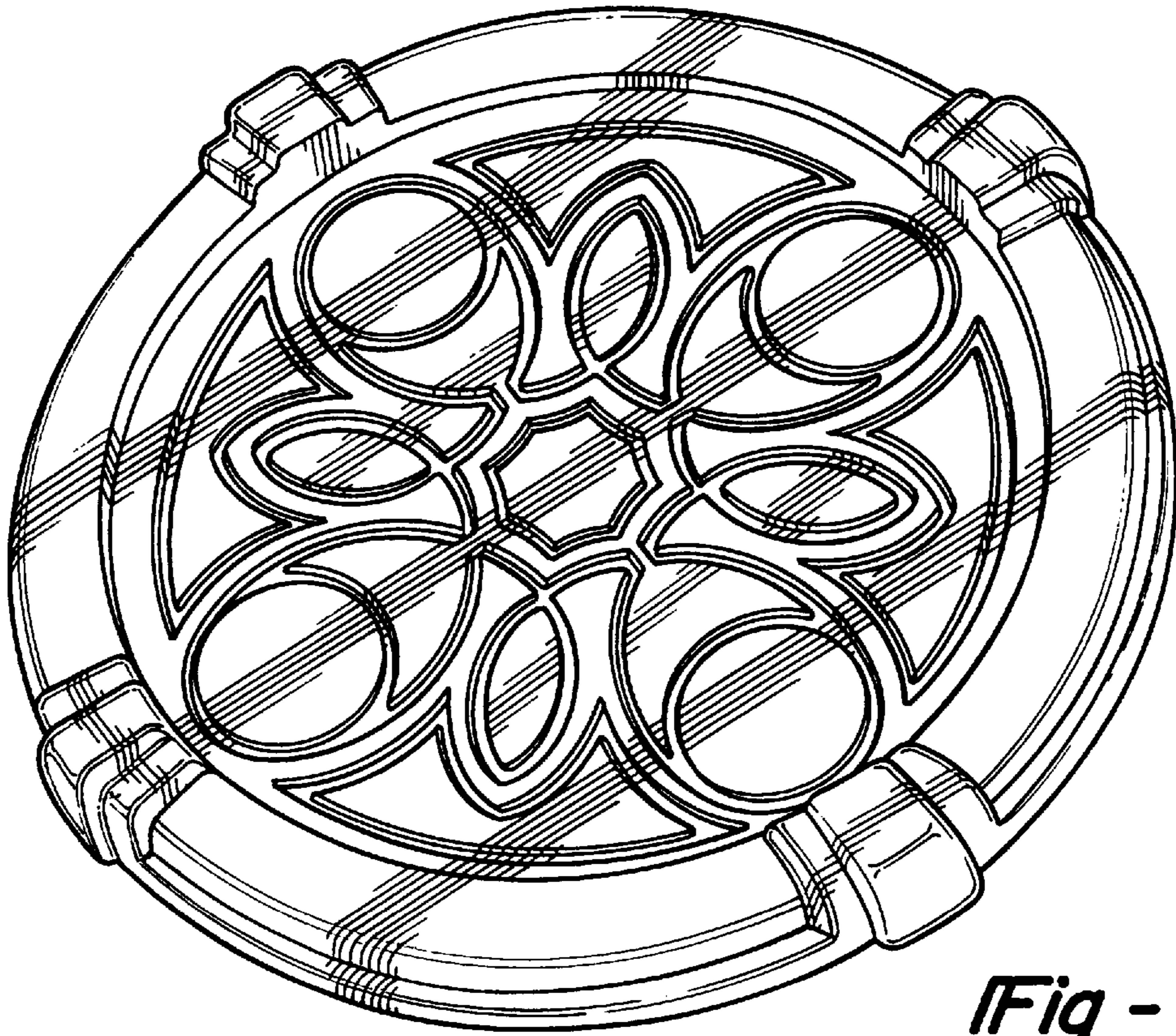


Fig - 1

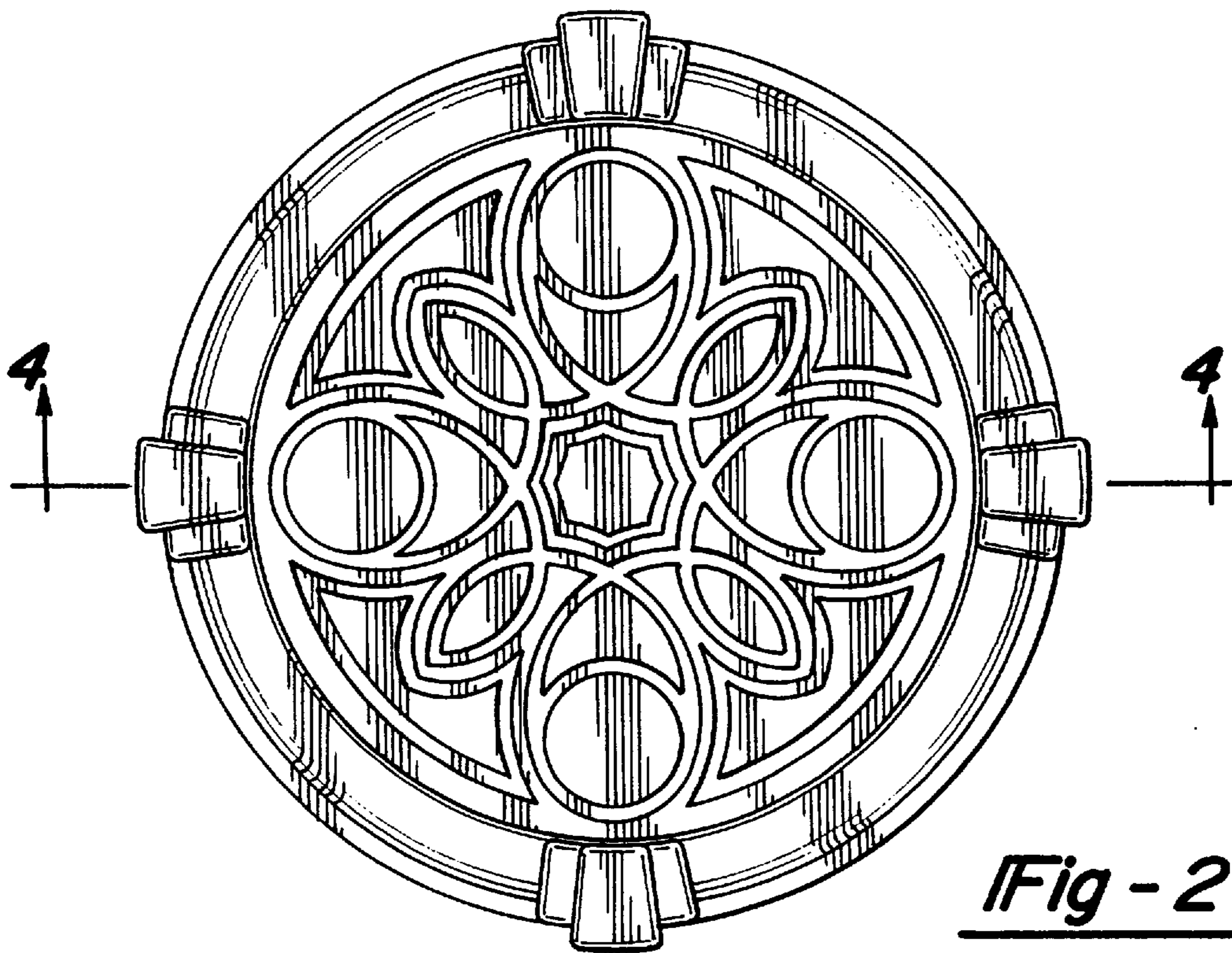


Fig - 2

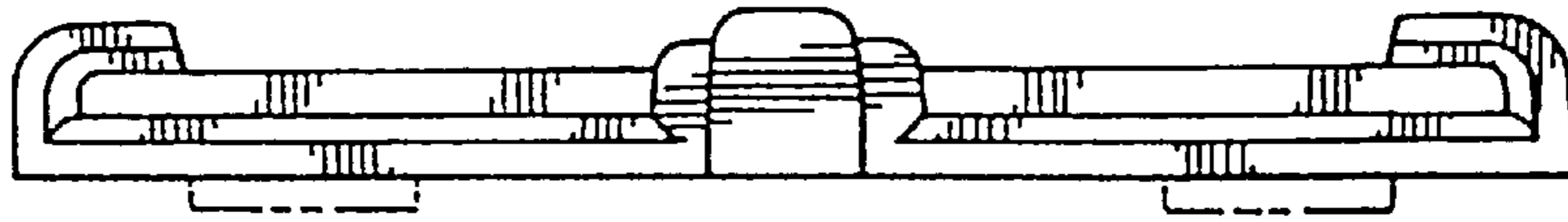


Fig - 3



Fig - 4

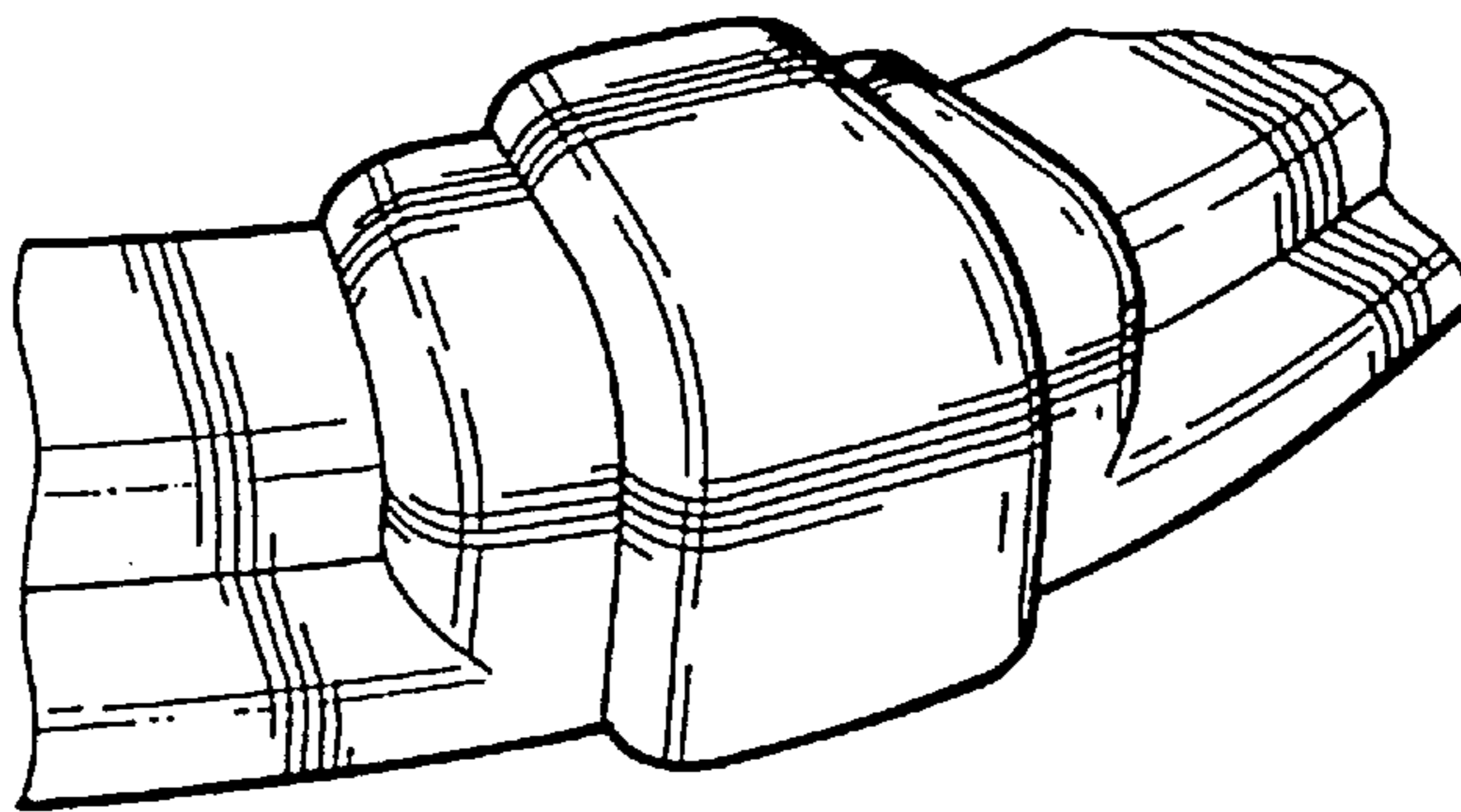


Fig-5