



US00D398193S

United States Patent [19]
Sanchez

[11] **Patent Number: Des. 398,193**

[45] **Date of Patent: **Sep. 15, 1998**

[54] **PORTABLE FOOD AND BEVERAGES
CONTAINER WITH HANDLE**

[75] Inventor: **Armando Malo Sanchez**, Estado de
Mexico, Mexico

[73] Assignee: **Grupo Innovacion, S.A. DE C.V.**,
Mexico

[**] Term: **14 Years**

[21] Appl. No.: **62,926**

[22] Filed: **Dec. 4, 1996**

[30] **Foreign Application Priority Data**

Jun. 20, 1996 [MX] Mexico 96617

[51] **LOC (6) Cl.** **07-01**

[52] **U.S. Cl.** **D7/608**

[58] **Field of Search** D7/608, 709, 710,
D7/629; 62/457.1, 457.7; 206/505, 508,
509, 515, 541, 545

[56] **References Cited**

U.S. PATENT DOCUMENTS

D. 269,059 5/1983 Steyn D7/608
D. 369,723 5/1996 McArthur et al. D7/608

Primary Examiner—Terry A. Wallace

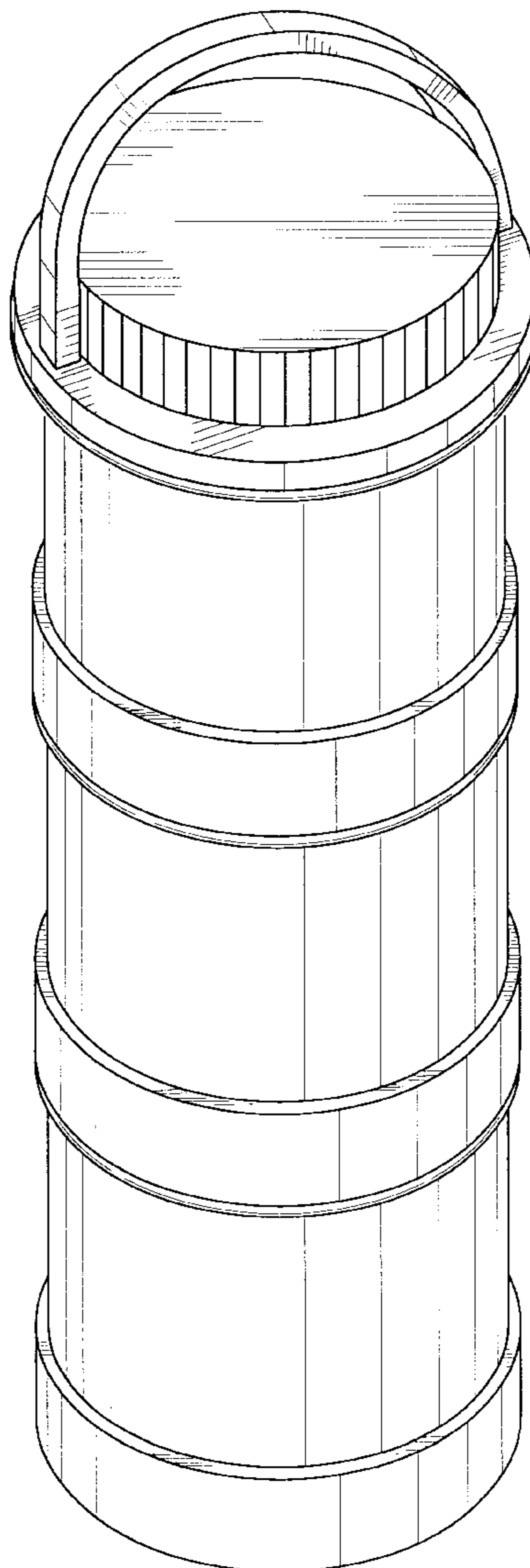
[57] **CLAIM**

The ornamental design for a portable food and beverages container with handle, as shown and described.

DESCRIPTION

FIG. 1 is a top perspective view a portable food and beverages container with handle showing my new design; FIG. 2 is a top view thereof; FIG. 3 is a fragmentary bottom perspective view thereof; and, FIG. 4 is a front view thereof.

1 Claim, 2 Drawing Sheets



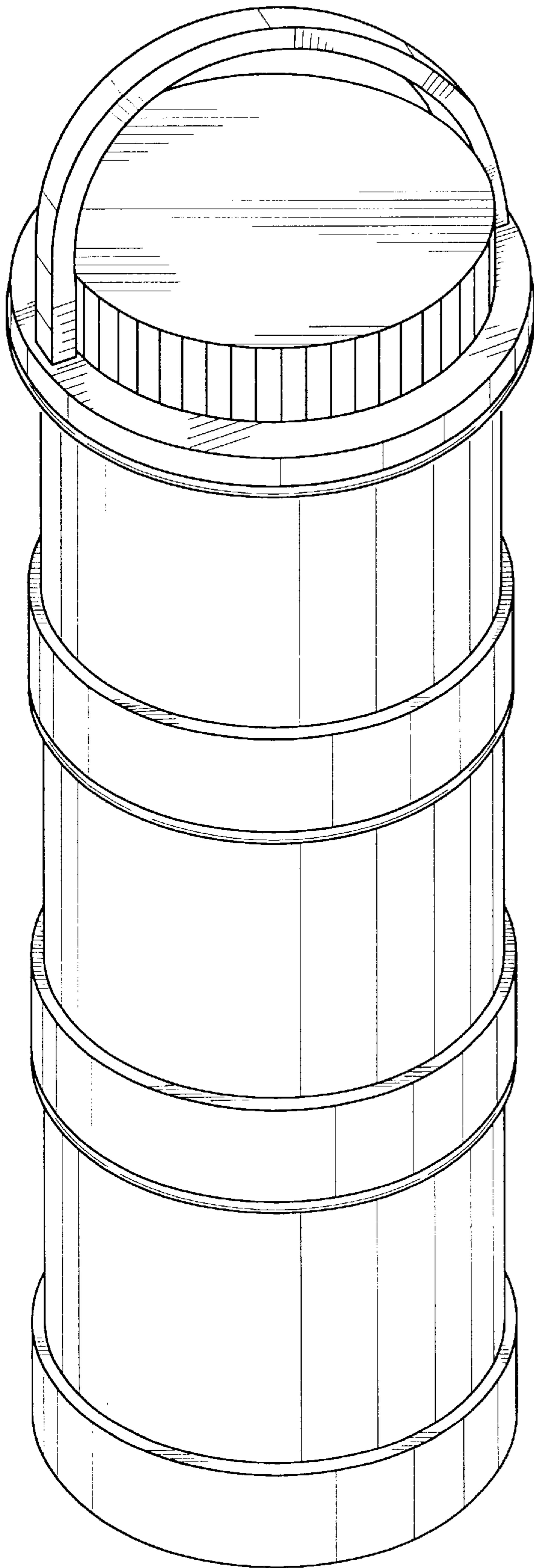


FIG. 1

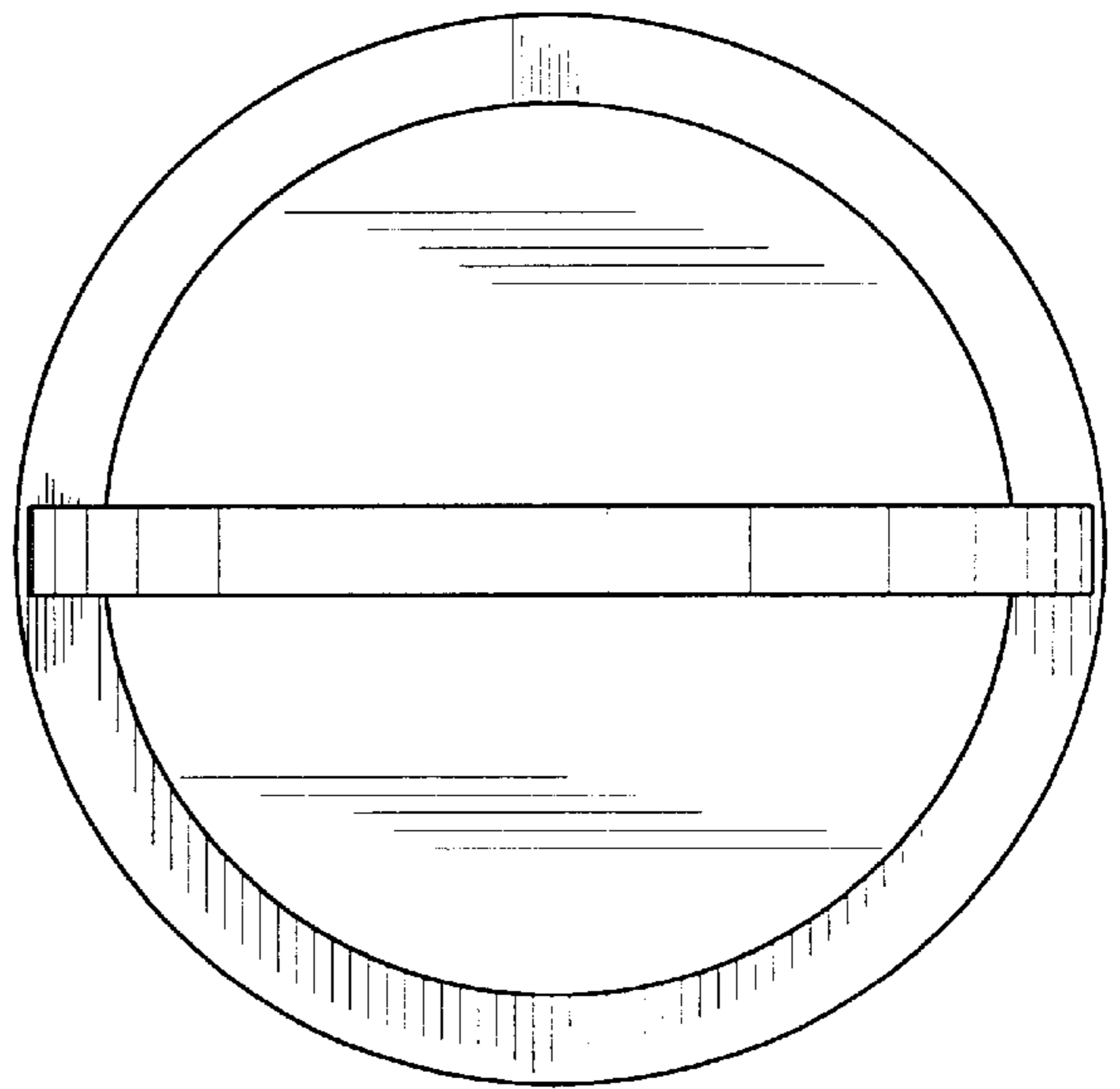


FIG. 2

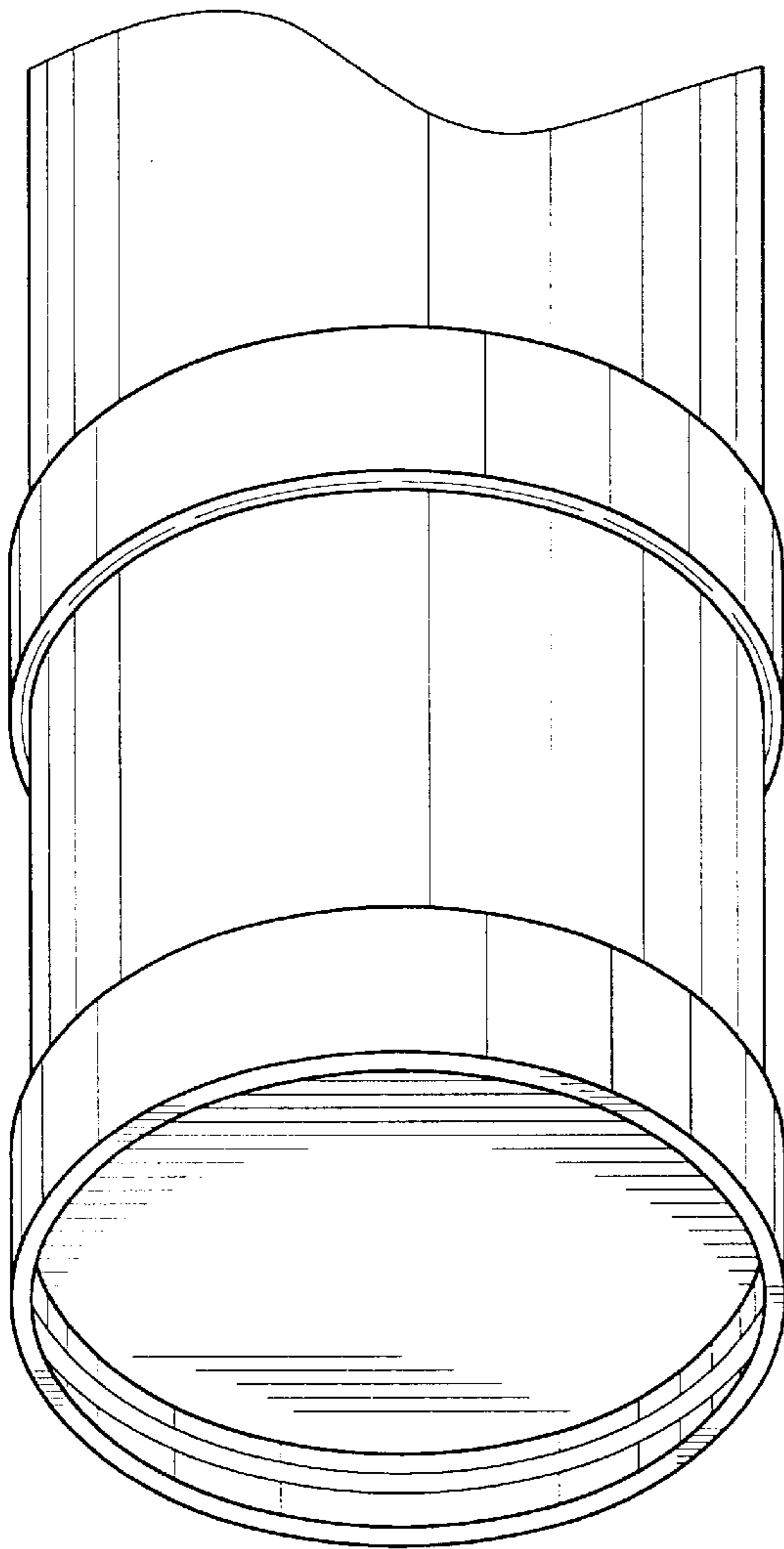


FIG. 3

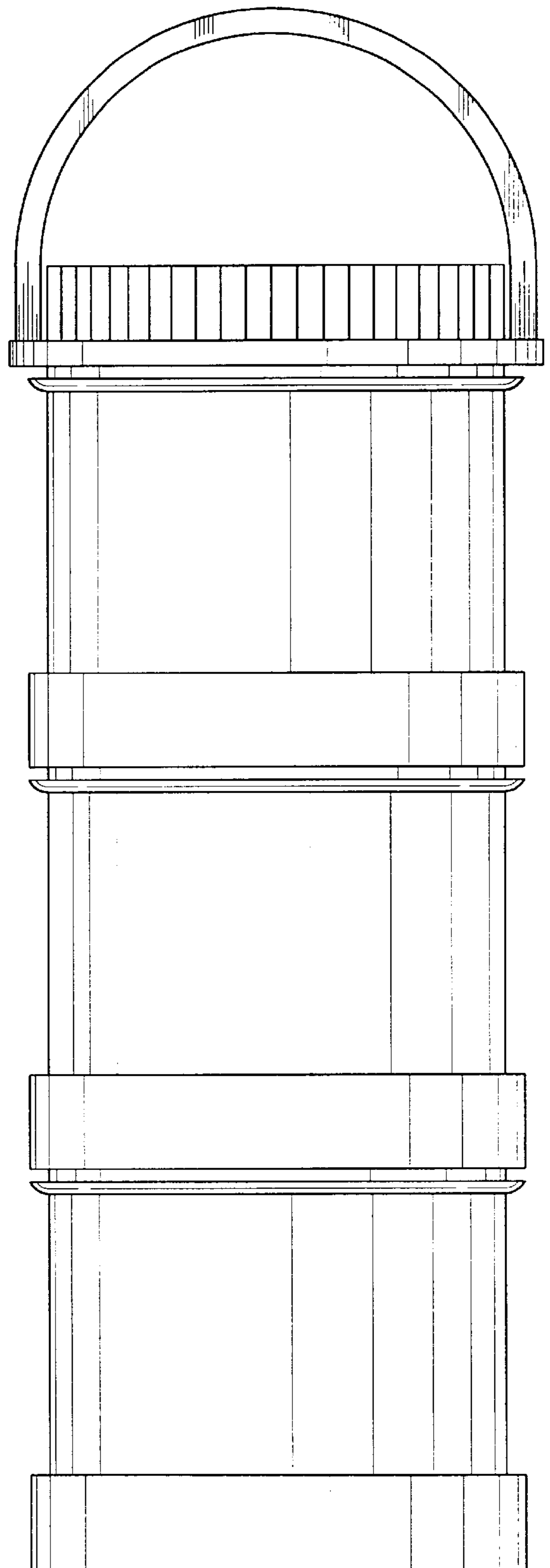


FIG. 4