



US00D398190S

United States Patent [19]

[11] **Patent Number: Des. 398,190**

Rausch et al.

[45] **Date of Patent: **Sep. 15, 1998**

[54] ICE CHEST LID

OTHER PUBLICATIONS

[75] Inventors: **Kevin Rausch**, Wooster, Ohio; **Joe Fiore**, Lebanon, Pa.

Pp. 10, 11, 13, 15 and 19, Insulated containers; Igloo Corporation, 1001 West Belt Drive, P. O. Box 19322, Houston, Texas 77224. Publication date 1985.

[73] Assignee: **Rubbermaid Incorporated**, Wooster, Ohio

P. 27, Insulated containers; Igloo Corporation, 1001 West Belt Drive, P. O. Box 19322, Houston, Texas 77224. Publication date Oct. 1994.

[**] Term: **14 Years**

Pp. 41, 42, 43, 45, 47, 48, 49 and 52, Insulated containers; The Coleman Company, Inc., P. O. Box 2931, Wichita, Kansas 67201. Publication date 1994.

[21] Appl. No.: **71,837**

Pp. 10 and 11, Insulated containers; The Coleman Company, Inc., P. O. Box 2931, Wichita, Kansas 67201. Publication date 1988.

[22] Filed: **May 27, 1997**

[51] **LOC (6) Cl.** **07-01**

Catalog page, Insulated containers; The Coleman Company, Inc., P. O. Box 2931, Wichita, Kansas 67201. Publication date 1988.

[52] **U.S. Cl.** **D7/605**

[58] **Field of Search** D7/605-608; D3/319, D3/321; 62/457.1, 457, 371; 220/410-412; 206/541, 545

P. 2 of a Price list, Insulated containers; Thermos Outdoor Living Products, Route 75 East, Freeport, Illinois 61032. Publication date Oct. 1, 1988.

Pp. 9 and 10, Insulated containers; Gio Style S.p.A., Via Privata Cascia 8, 20128 Milano, Italy. Published at least as early as Dec., 1990.

Catalog page, Insulated containers; Gio Style S.p.A., Via Privata Cascia 8, 20128 Milano, Italy. Published at least as early as 1990.

[56] **References Cited**

U.S. PATENT DOCUMENTS

D. 197,814	3/1964	Piker .	
D. 232,798	9/1974	Roche	D7/77
D. 237,135	10/1975	Wiant	D7/77
D. 239,249	3/1976	Branscum	D7/77
D. 244,822	6/1977	Havelly et al.	D7/77
D. 247,152	2/1978	Rayfield	D7/77
D. 257,934	1/1981	Buss	D7/61
D. 268,979	5/1983	Ruxton	D7/77
D. 269,398	6/1983	Ruxton	D7/77
D. 283,480	4/1986	Bailey	D7/77
D. 283,966	5/1986	Carlson	D7/76
D. 322,198	12/1991	Dringenburg	D7/605
D. 324,154	2/1992	Embree	D7/605
D. 325,323	4/1992	Kahl	D7/605
D. 325,324	4/1992	Khal	D7/605
D. 325,853	5/1992	Kahl	D7/605
D. 327,203	6/1992	Kahl	D7/605
D. 328,221	7/1992	Piccarillo	D7/605
D. 328,689	8/1992	Riskowski	D7/605
D. 337,232	7/1993	Kahl et al.	D7/605
D. 340,620	10/1993	Peters	D7/605
D. 341,060	11/1993	Litt et al.	D7/605
D. 349,007	7/1994	Costello	D7/605
D. 349,628	8/1994	Kahl et al.	D7/605

(List continued on next page.)

Primary Examiner—Terry A. Wallace
Attorney, Agent, or Firm—Richard B. O'Planick

[57] **CLAIM**

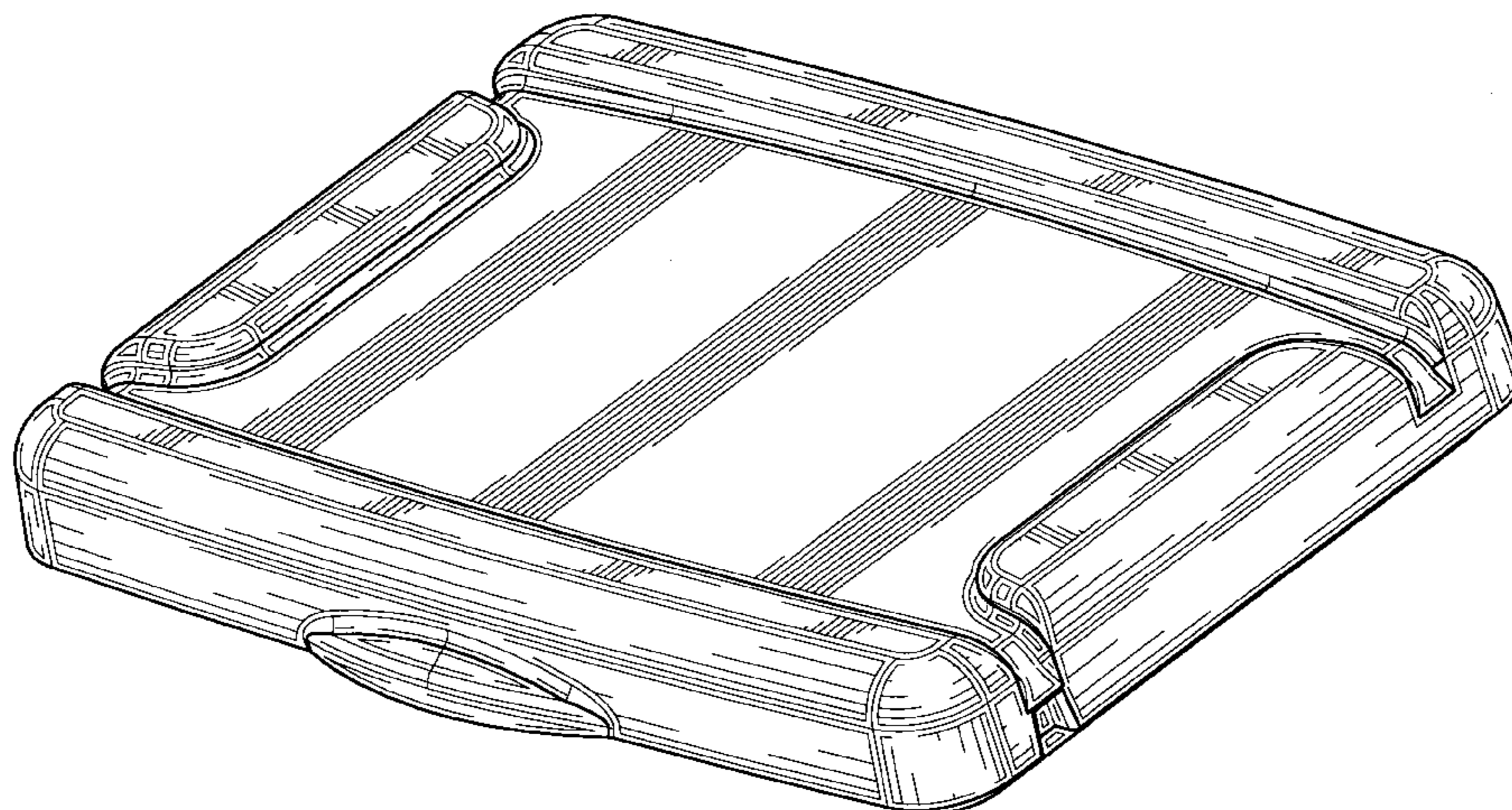
The ornamental design for an ice chest lid, as shown and described.

DESCRIPTION

FIG. 1 is a top right front perspective view of an ice chest lid showing my new design;
FIG. 2 is a top plan view thereof;
FIG. 3 is a front elevational view thereof;
FIG. 4 is a right side elevational view thereof; the left side elevational view being a mirror image;
FIG. 5 is a rear elevational view thereof; and,
FIG. 6 is a bottom plan view thereof.

(List continued on next page.)

1 Claim, 4 Drawing Sheets



U.S. PATENT DOCUMENTS

D. 350,048	8/1994	Kahl et al.	D7/605	4,696,412	9/1987	McGowan	220/335
D. 350,459	9/1994	Blackwell et al.	D7/605	4,846,493	7/1989	Mason	280/641
D. 351,318	10/1994	Wedi	D7/605	4,873,841	10/1989	Bradshaw et al.	62/239
D. 352,208	11/1994	Brookshire	D7/605	4,889,257	12/1989	Steffes	220/331
D. 352,420	11/1994	Costello	D7/350	5,249,438	10/1993	Rhaney et al.	62/457.7
D. 353,304	12/1994	Friedrich	D7/605	5,313,817	5/1994	Meinders	62/457.1
D. 353,305	12/1994	Miller	D7/605	5,373,708	12/1994	Dumoulin, Jr.	62/457.7
D. 353,306	12/1994	Miller	D7/605				
D. 354,419	1/1995	Kahl et al.	D7/605				
D. 366,599	1/1996	Brown et al.	D7/605				
D. 369,695	5/1996	Imotani	D6/397				
D. 369,722	5/1996	Lopez, Jr. et al.	D7/605				
D. 370,159	5/1996	Fenton et al.	D7/605				
D. 371,056	6/1996	Sullivan	D7/709				
D. 375,022	10/1996	Smith	D7/605				
3,232,491	2/1966	Hunt	222/154				
3,791,547	2/1974	Branscum	220/17				
3,987,829	10/1976	Leone .					
4,024,731	5/1977	Branscum	62/457				
4,068,779	1/1978	Canfield	220/94				
4,537,313	8/1985	Workman	206/545				
4,592,482	6/1986	Seager	220/318				

OTHER PUBLICATIONS

P. 19, Insulated containers; Gio Style, Quattro Elle S.p.A., Via Privata Cascia 8, 20128 Milano, Italy. Publication date 1993.

Sell sheet, Insulated containers; Bee Plastics Corp., 2600 North Clybourne Avenue, Chicago, Illinois 60614. Publication date 1975.

Pp. 6 and 7, Insulated containers; Fremont Plastic Molds, LTD, 478 West State Street, P.O. Box 505, Fremont, Ohio 43420. Publication date 1987.

Pp. 10, 11, 12 and 13, Insulated containers; Rubbermaid Specialty Products Inc., 1147 Akron Road, Wooster, Ohio 44691. Publication date 1991.

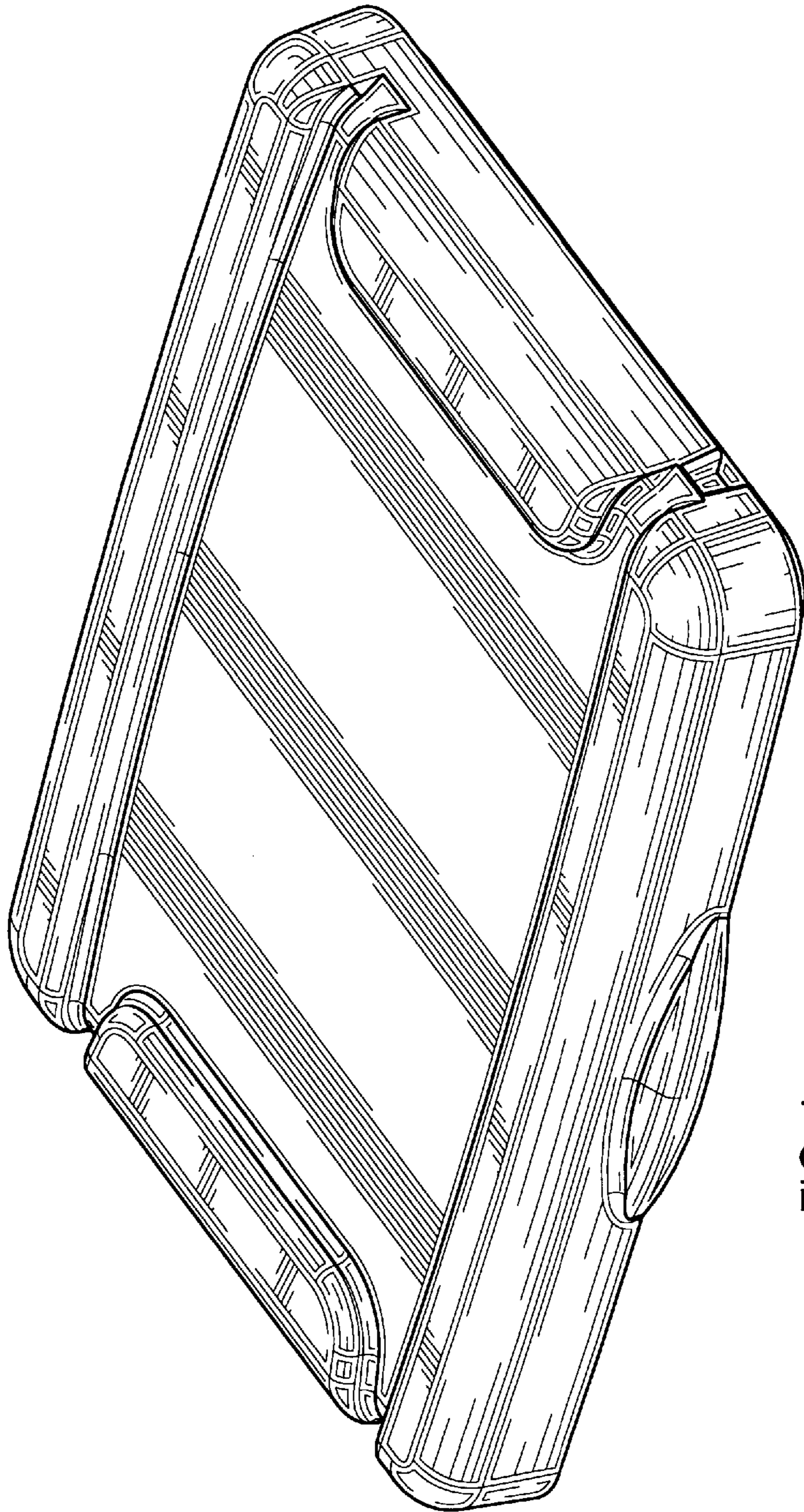


FIG. 1

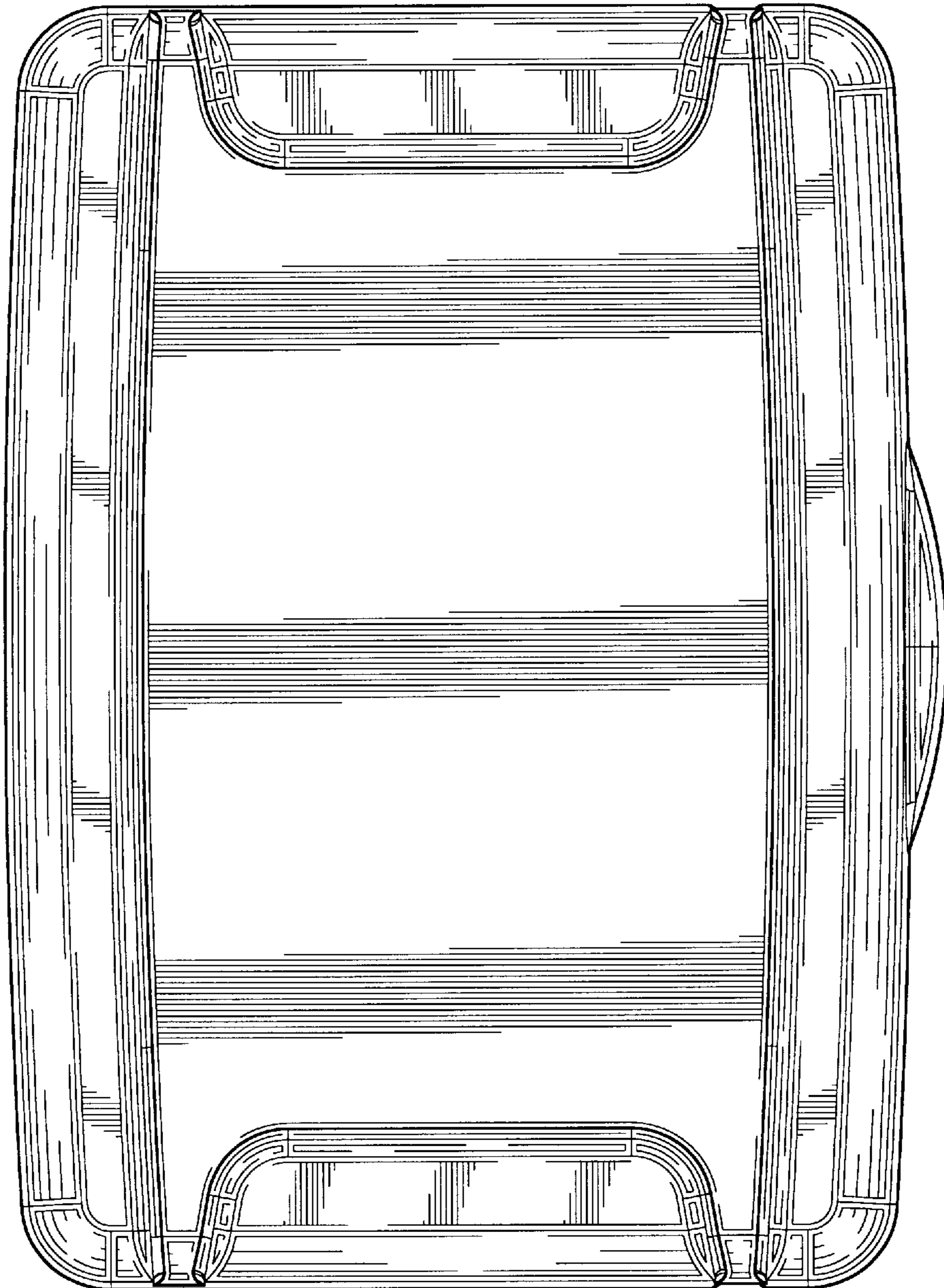


FIG. 2

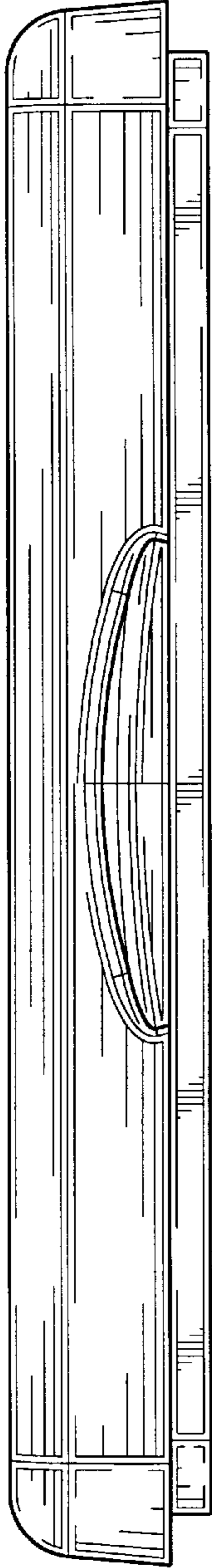


FIG. 3



FIG. 4

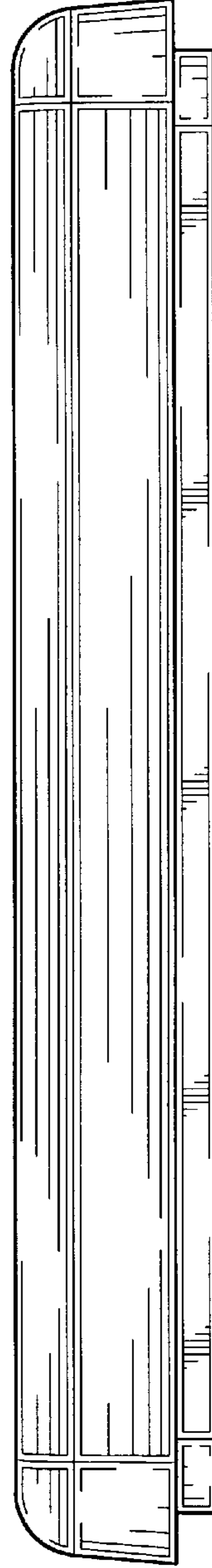


FIG. 5

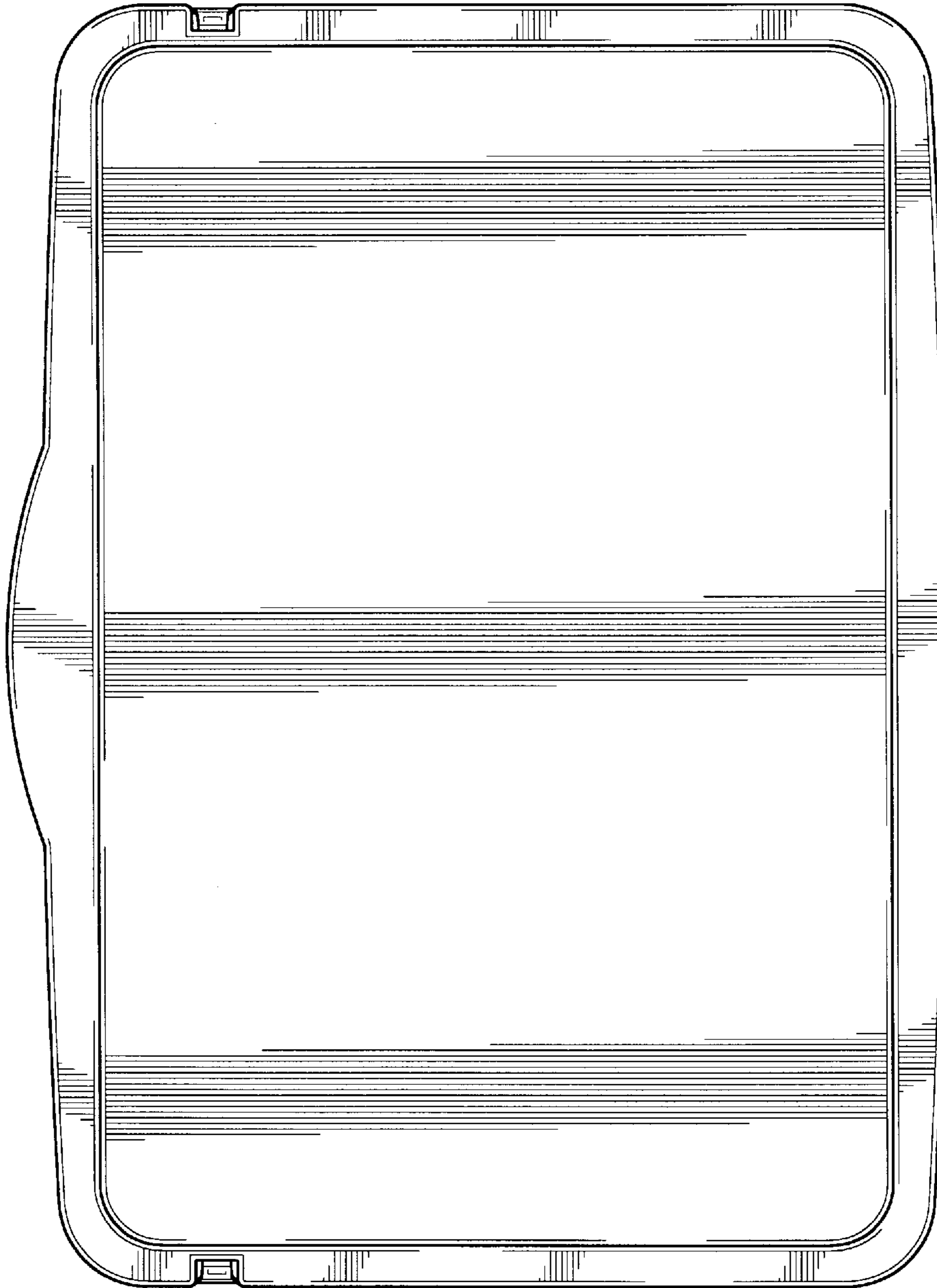


FIG. 6