



US00D398188S

United States Patent [19]

Weeks et al.

[11] Patent Number: Des. 398,188

[45] Date of Patent: **Sep. 15, 1998

[54] FOOTBALL MUG

[76] Inventors: **Craig L. Weeks; Cindy A. Weeks,**
both of 15 Payton, Winchester, Va.
22601

[**] Term: **14 Years**

[21] Appl. No.: **67,657**

[22] Filed: **Mar. 4, 1997**

[51] LOC (6) Cl. **07-01**

[52] U.S. Cl. **D7/515; D7/536; D7/623**

[58] Field of Search D7/505, 507, 509,
D7/510, 511, 513, 514, 515, 529, 533,
536, 625, 623; D9/307, 329; 220/555, 669,
703

[56] References Cited

U.S. PATENT DOCUMENTS

D. 37,297	1/1905	Maddock	D7/511
D. 212,818	11/1968	Flaherty	D7/511
D. 228,328	9/1973	Schley	D7/515 X
D. 239,588	4/1976	Krieger et al.	D7/515
D. 242,971	1/1977	Schlichter	D7/515
D. 249,438	9/1978	Meier et al.	D7/515 X
D. 256,645	9/1980	Keough	D7/9
D. 270,984	10/1983	Neily	D7/1
D. 292,157	10/1987	Robinson	D7/9
D. 292,463	10/1987	Petrasek	D7/515

D. 307,089	4/1990	Lage	D7/536
D. 340,078	10/1993	Turner	D7/515 X
D. 354,418	1/1995	Martin	D7/536
D. 359,655	6/1995	Hurst et al.	D7/515
D. 362,369	9/1995	Bridges	D7/536
D. 370,154	5/1996	Gruneisen, III	D7/515
D. 371,934	7/1996	Cwirko	D7/515
D. 377,738	2/1997	Thorne	D7/515 X

OTHER PUBLICATIONS

football mug, Family Weekly, magazine section from "Wash Star News", p.d, Dec. 1974.

sports mug, Taylor Gifts, p. 93, 1986.

Primary Examiner—M. N. Pandozzi

[57] CLAIM

The ornamental design for a football mug, as shown and described.

DESCRIPTION

FIG. 1 is a perspective view of a football mug showing our new design;

FIG. 2 is a front elevational view thereof;

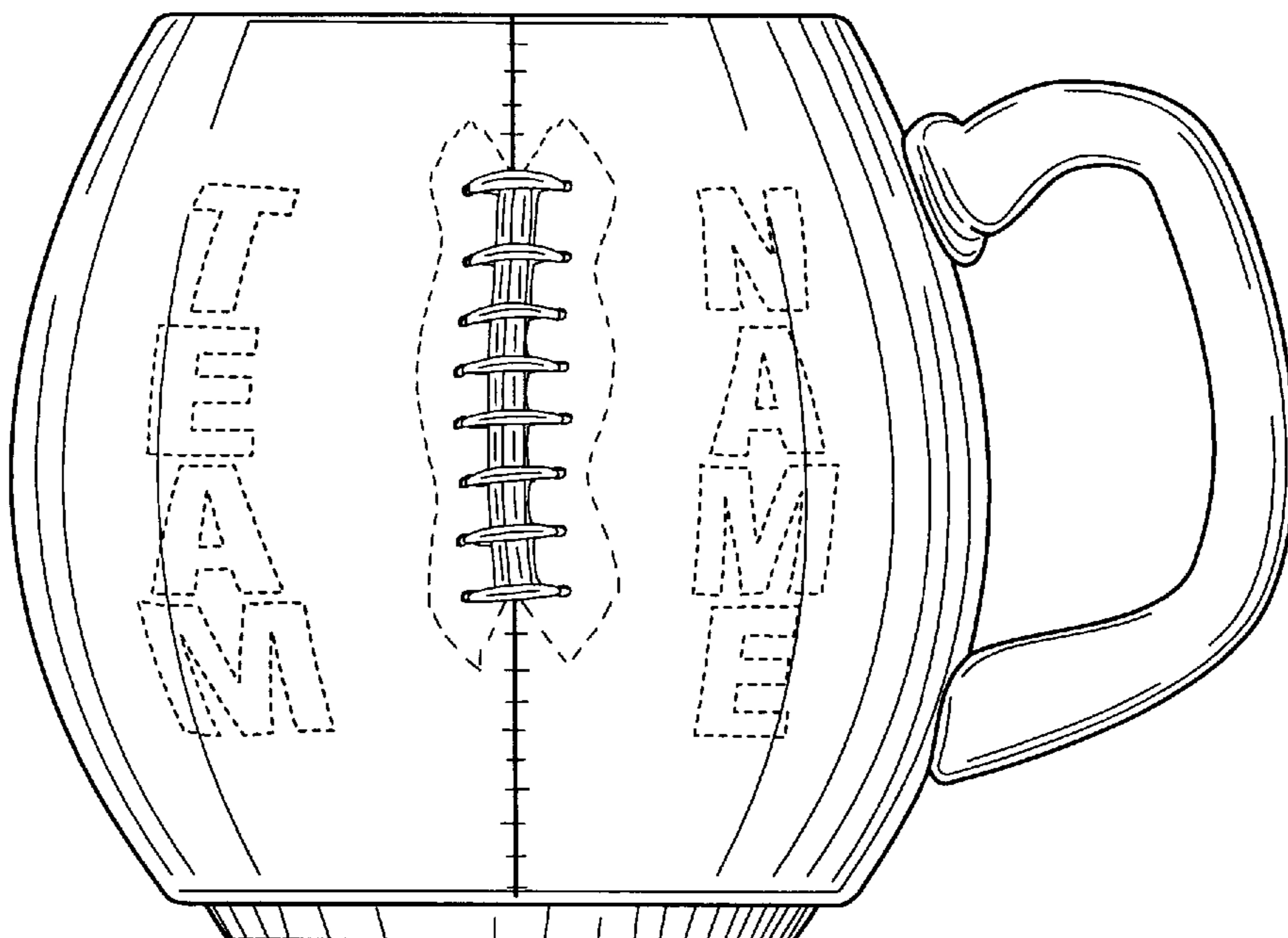
FIG. 3 is a rear elevational view thereof;

FIG. 4 is a top plan view thereof; and,

FIG. 5 is a bottom plan view thereof.

The broken line showing of the words, "Team Name" in FIGS. 1 and 2 are for illustrative purposes only and forms no part of the claimed design. All other broken lines represent stitching.

1 Claim, 3 Drawing Sheets



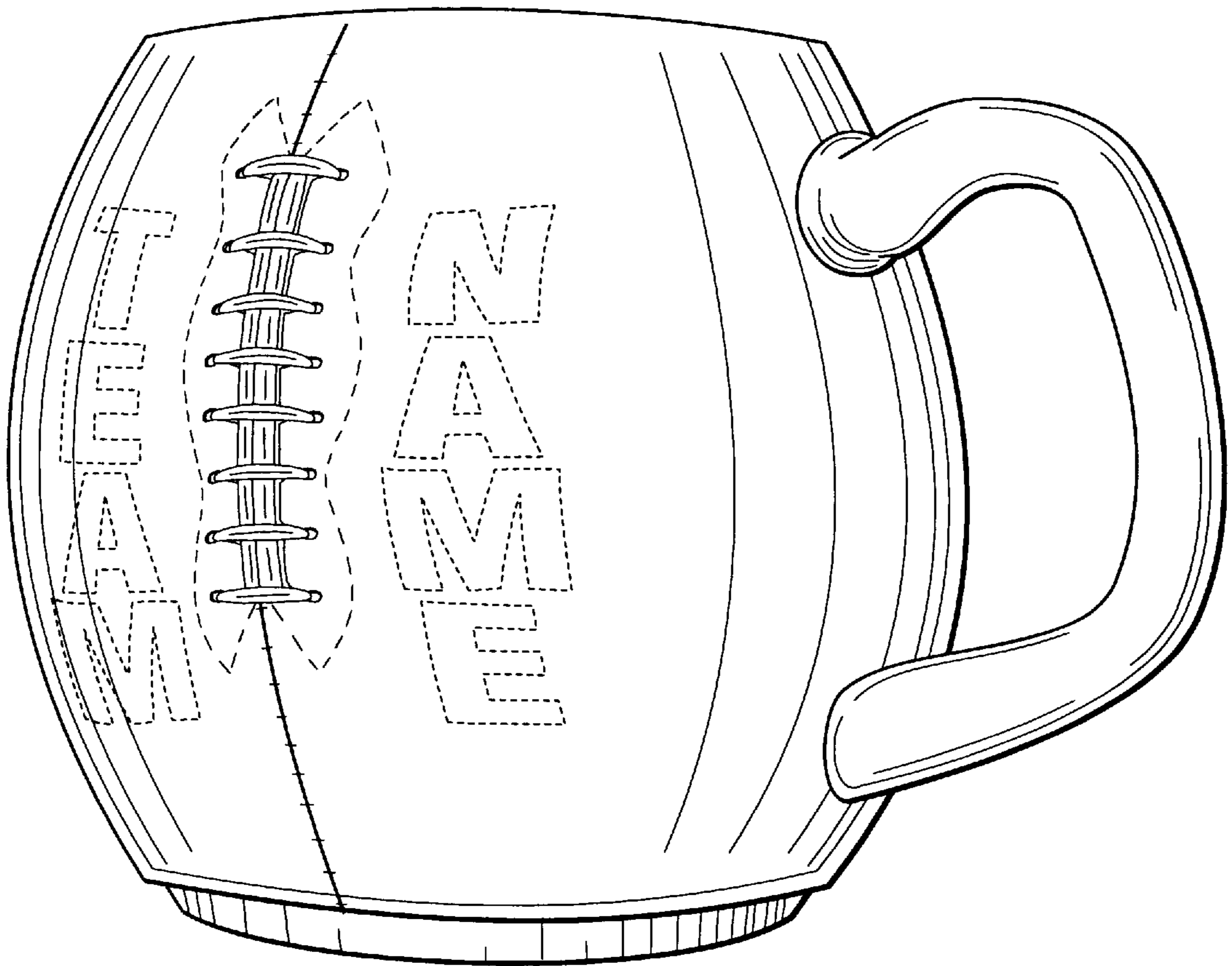


FIG. 1

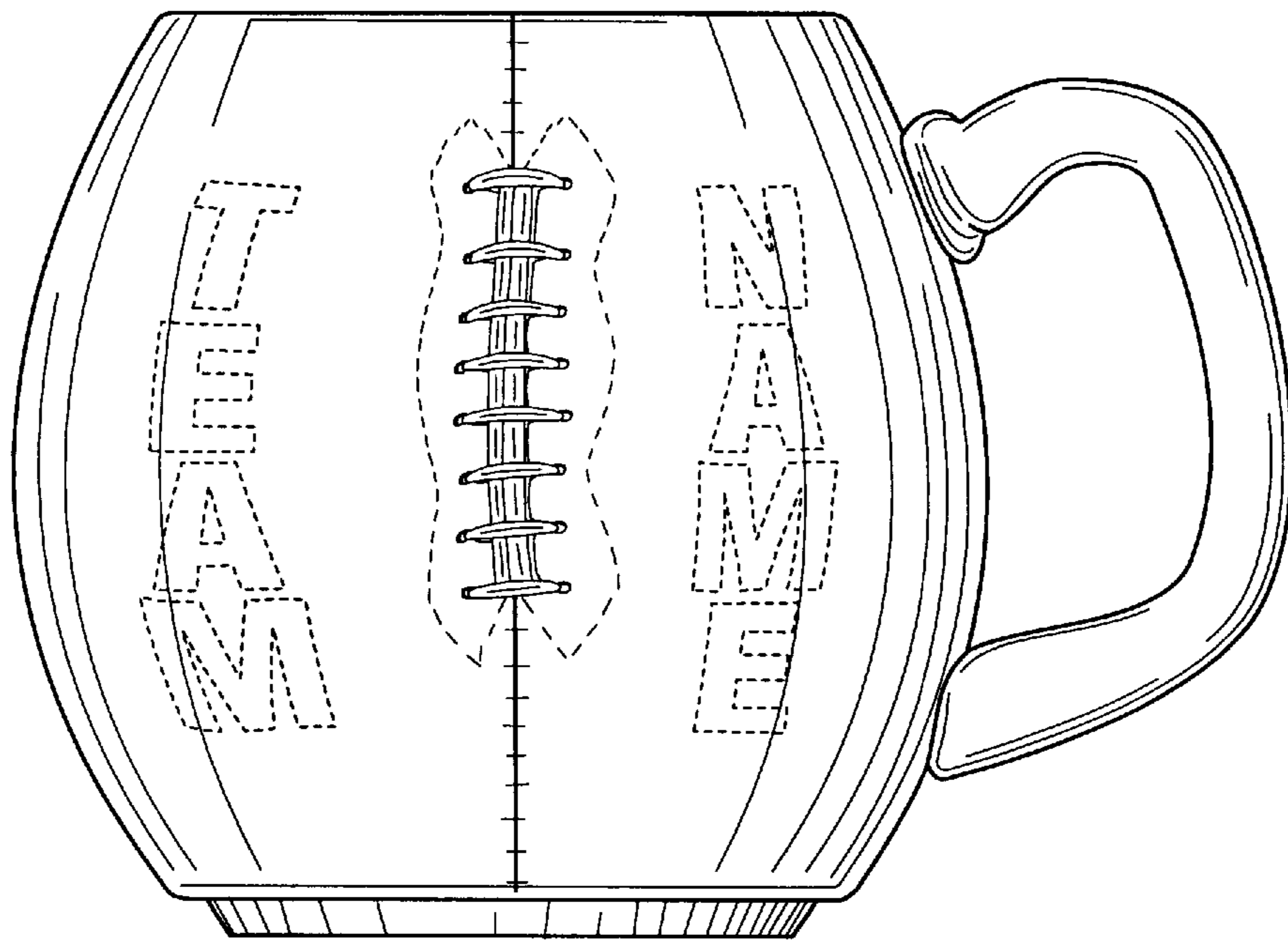


FIG. 2

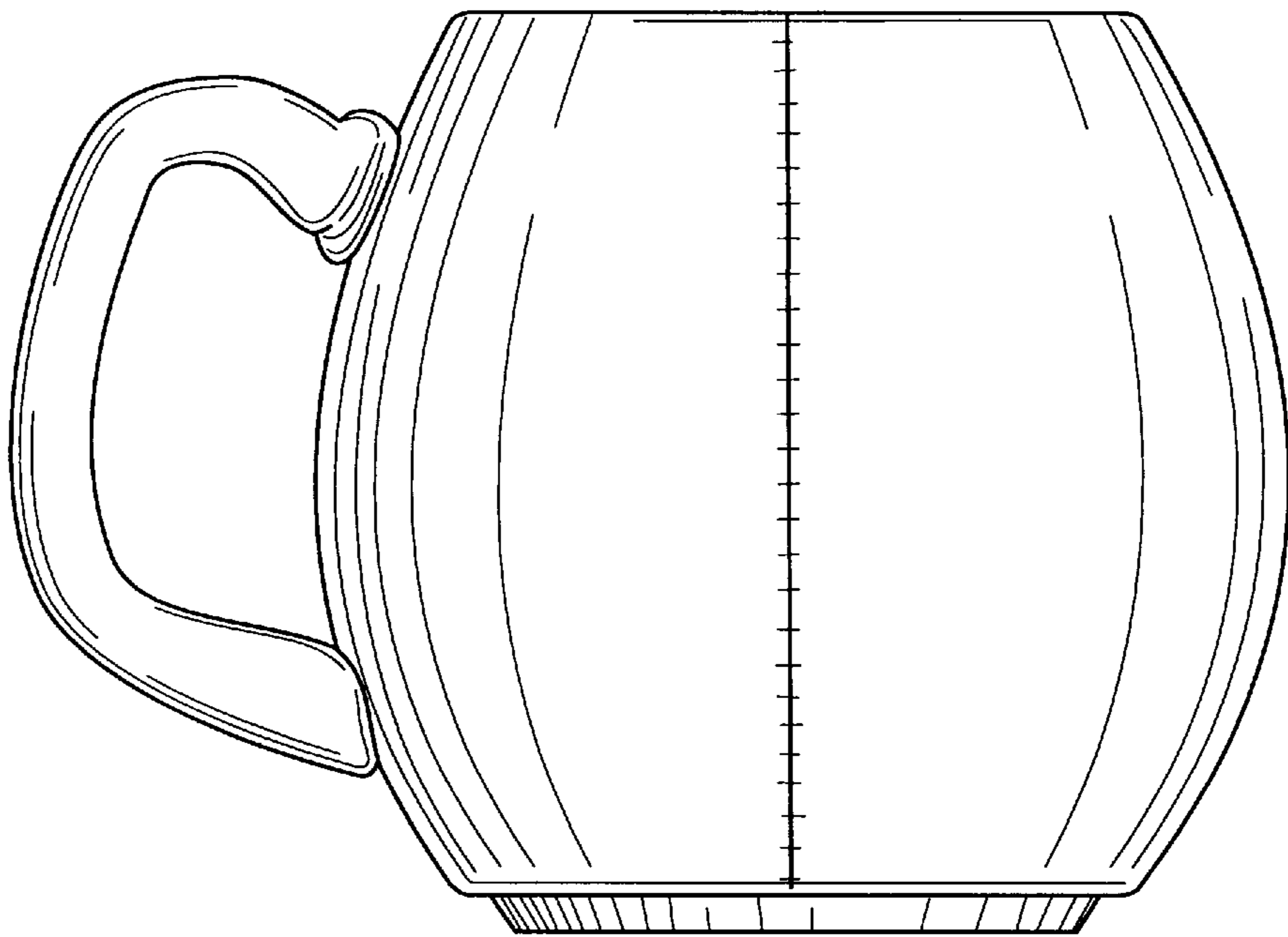


FIG. 3

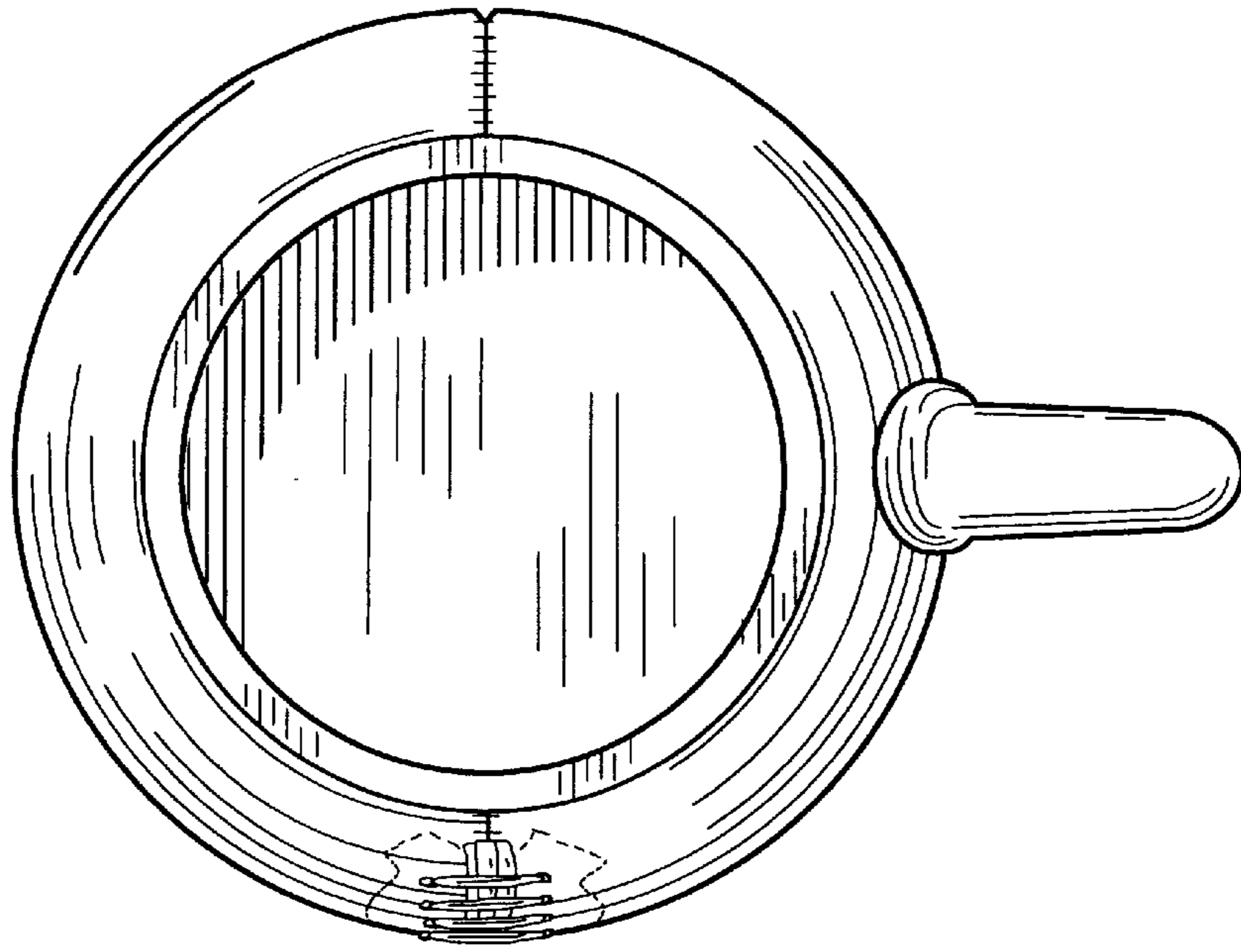


FIG. 4

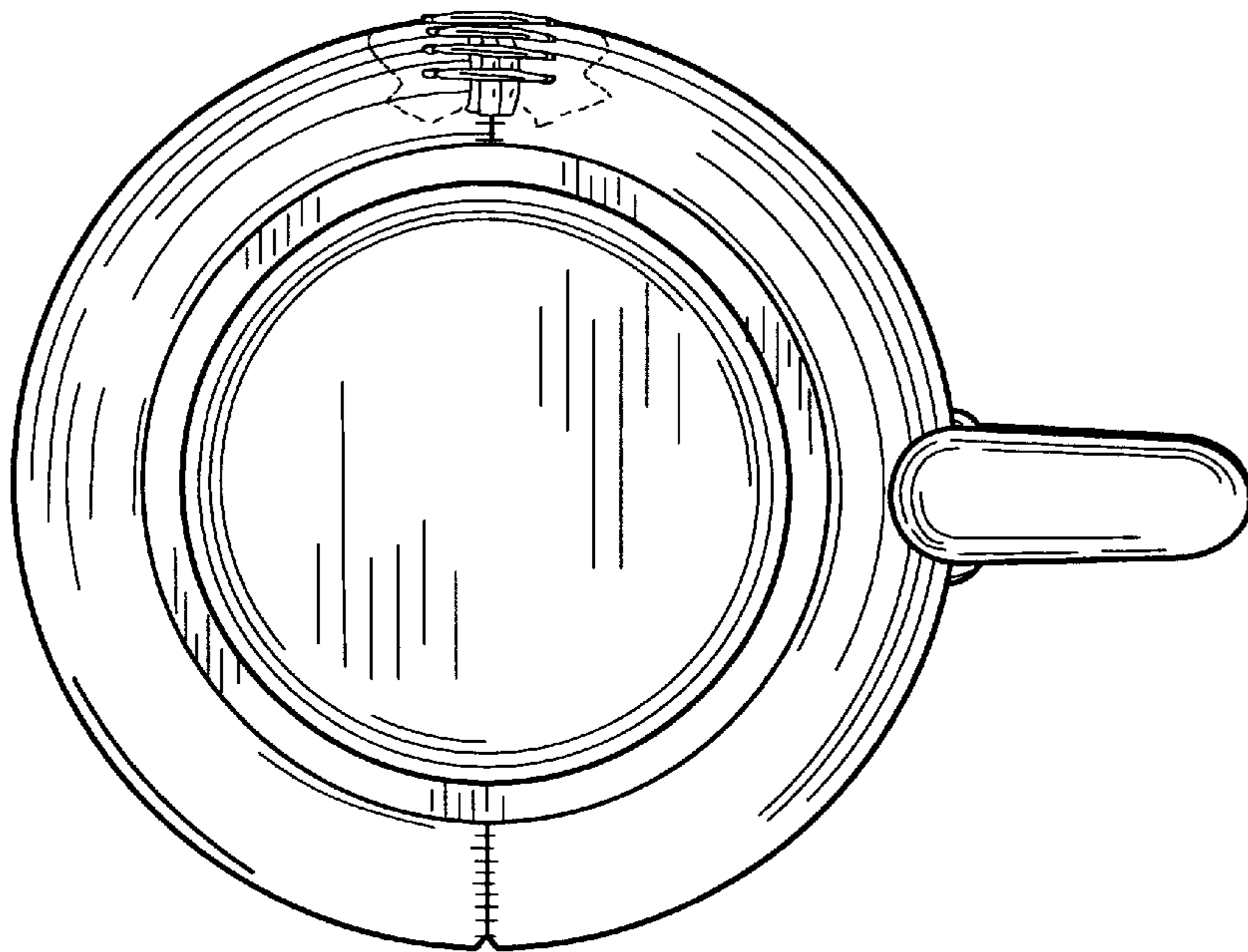


FIG. 5