



US00D398187S

United States Patent [19] Parker

[11] **Patent Number: Des. 398,187**

[45] **Date of Patent: **Sep. 15, 1998**

[54] **TRAVEL MUG**

[75] Inventor: **Gene Parker**, Batesville, Miss.

[73] Assignee: **The Thermos Company**, Batesville, Miss.

[**] Term: **14 Years**

[21] Appl. No.: **73,212**

[22] Filed: **Jul. 3, 1997**

[51] **LOC (6) Cl. 07-01**

[52] **U.S. Cl. D7/510; D7/511; D7/533**

[58] **Field of Search D7/505, 507, 509, D7/510, 511, 523, 533, 536, 515, 625, 622, 300.1; 220/703, 705, 717, 709, 713, 737, 739, 625**

[56] **References Cited**

U.S. PATENT DOCUMENTS

D. 177,575	5/1956	Louik	D7/511
D. 231,068	4/1974	Douglas	D7/533
D. 331,684	12/1992	Trombley	D7/536
D. 338,367	8/1993	Fonville	D7/316 X
D. 346,933	5/1994	Denny et al.	D7/536
D. 362,369	9/1995	Bridges	D7/536
D. 363,414	10/1995	Goto et al.	D7/533
D. 363,641	10/1995	Goto et al.	D7/511
D. 364,071	11/1995	Lynd	D7/510

D. 364,319	11/1995	Schaeppi	D7/536
D. 369,063	4/1996	Meisner	D7/533
D. 370,384	6/1996	Shamis	D7/622 X
D. 372,839	8/1996	Laib	D7/511 X
D. 382,174	8/1997	Grimm	D7/510
D. 386,948	12/1997	Wissinger	D7/533
5,531,353	7/1996	Ward et al.	D7/511 X
5,590,808	1/1997	Schaeppi	220/737

Primary Examiner—M. N. Pandozzi
Attorney, Agent, or Firm—Wood, Phillips, VanSanten, Clark & Mortimer

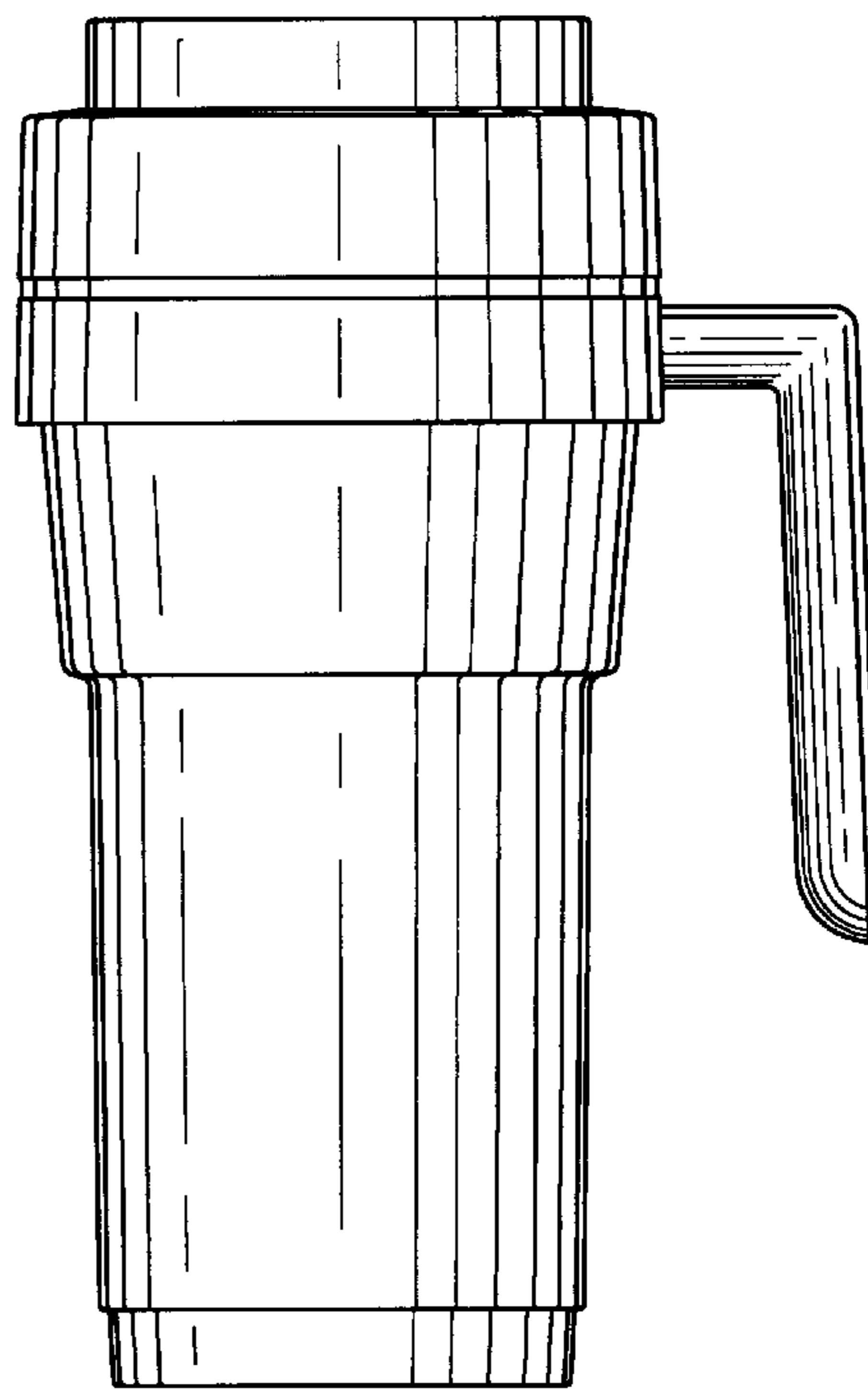
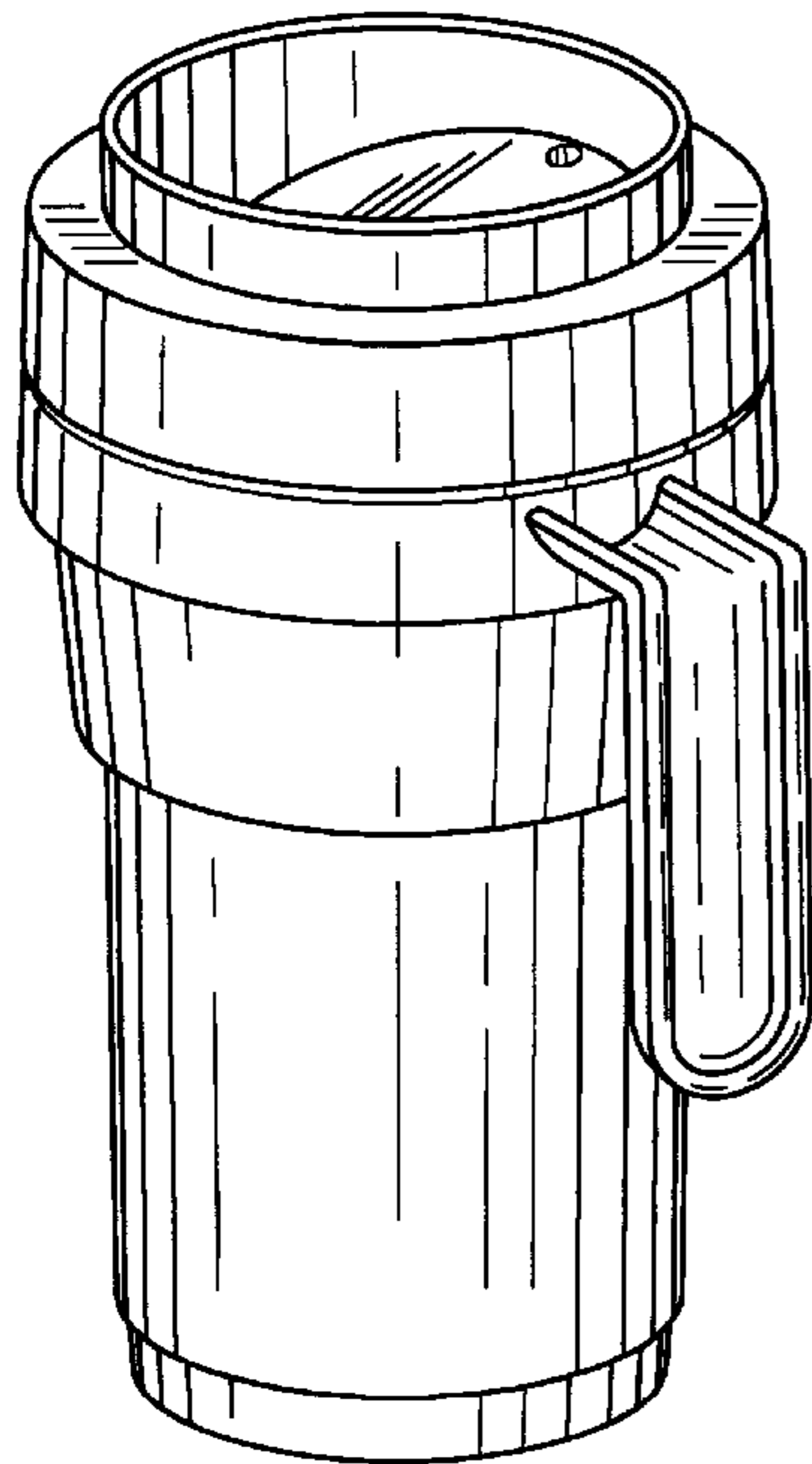
[57] **CLAIM**

The ornamental design for a travel mug, as shown and described.

DESCRIPTION

FIG. 1 is a perspective view of the travel mug; FIG. 2 is a side elevation of the travel mug taken from the left of FIG. 1, it being understood that the view of FIG. 2 is also a mirror image of an elevational view of the travel mug taken from the right side of FIG. 1; FIG. 3 is an elevation of the travel mug from the side thereof opposite the handle; FIG. 4 is a side elevation of the travel mug from the side thereof bearing the handle; FIG. 5 is a bottom view of the travel mug; and, FIG. 6 is a plan view of the travel mug.

1 Claim, 2 Drawing Sheets



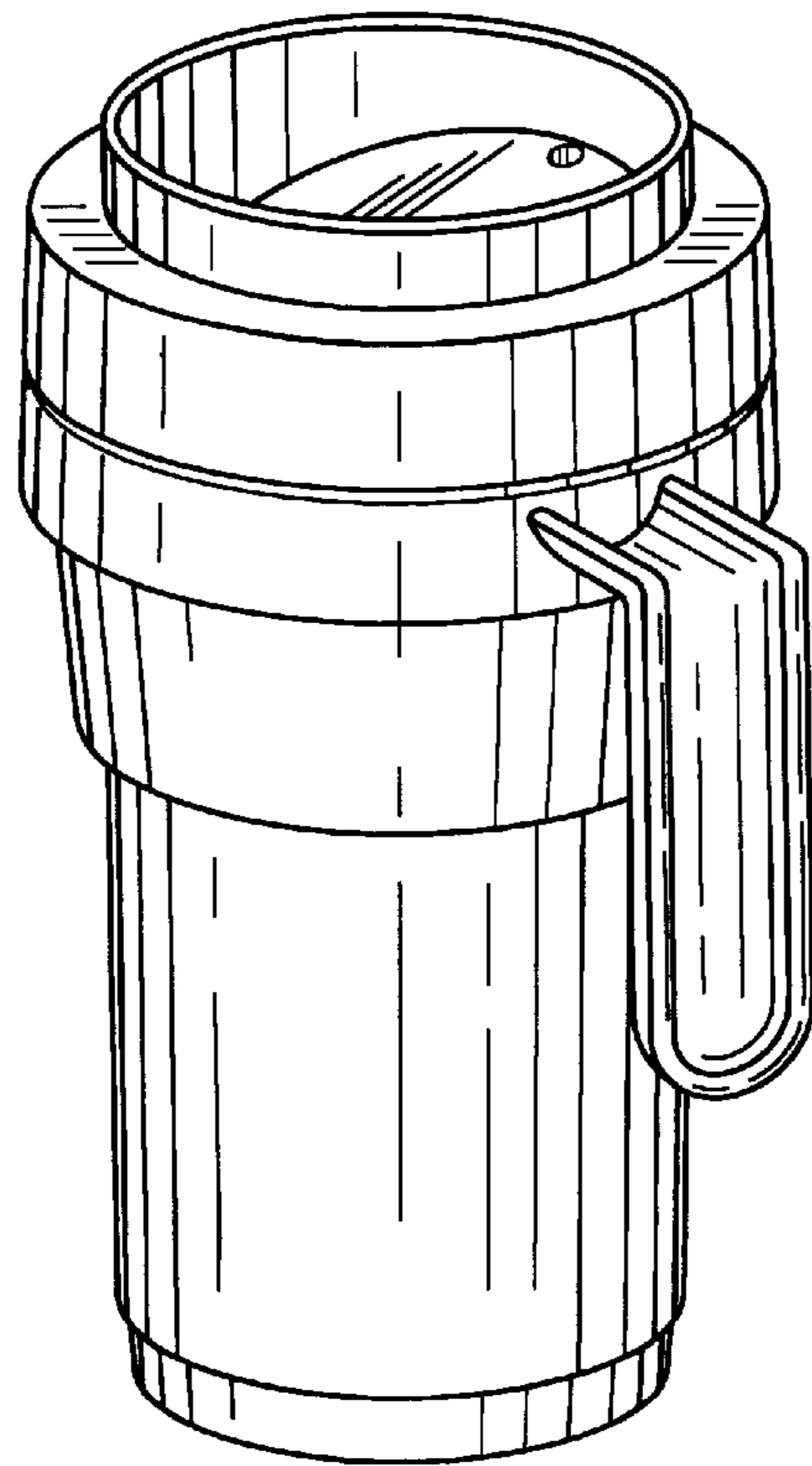


FIG. 1

FIG. 2

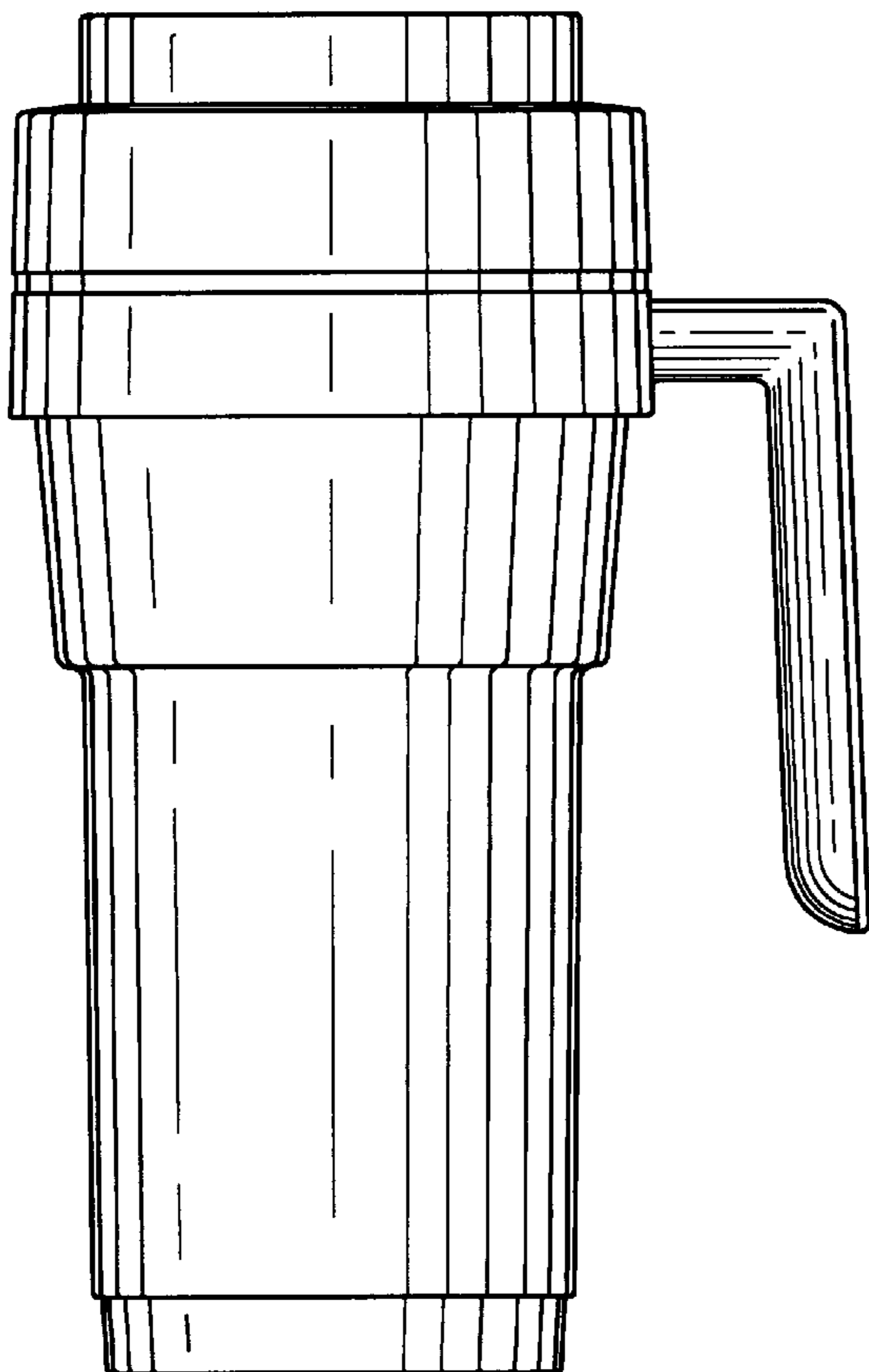


FIG. 3

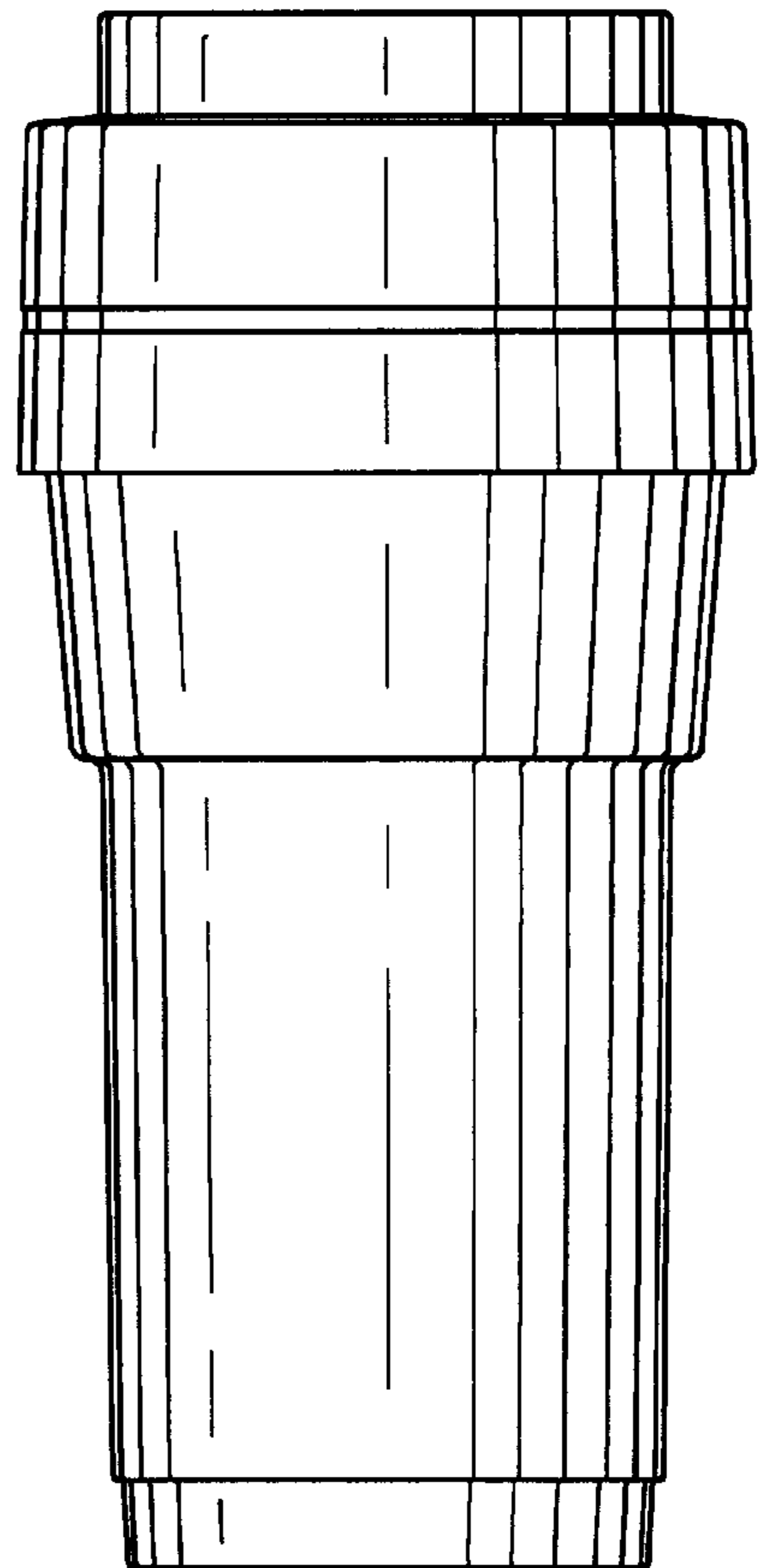


FIG. 4

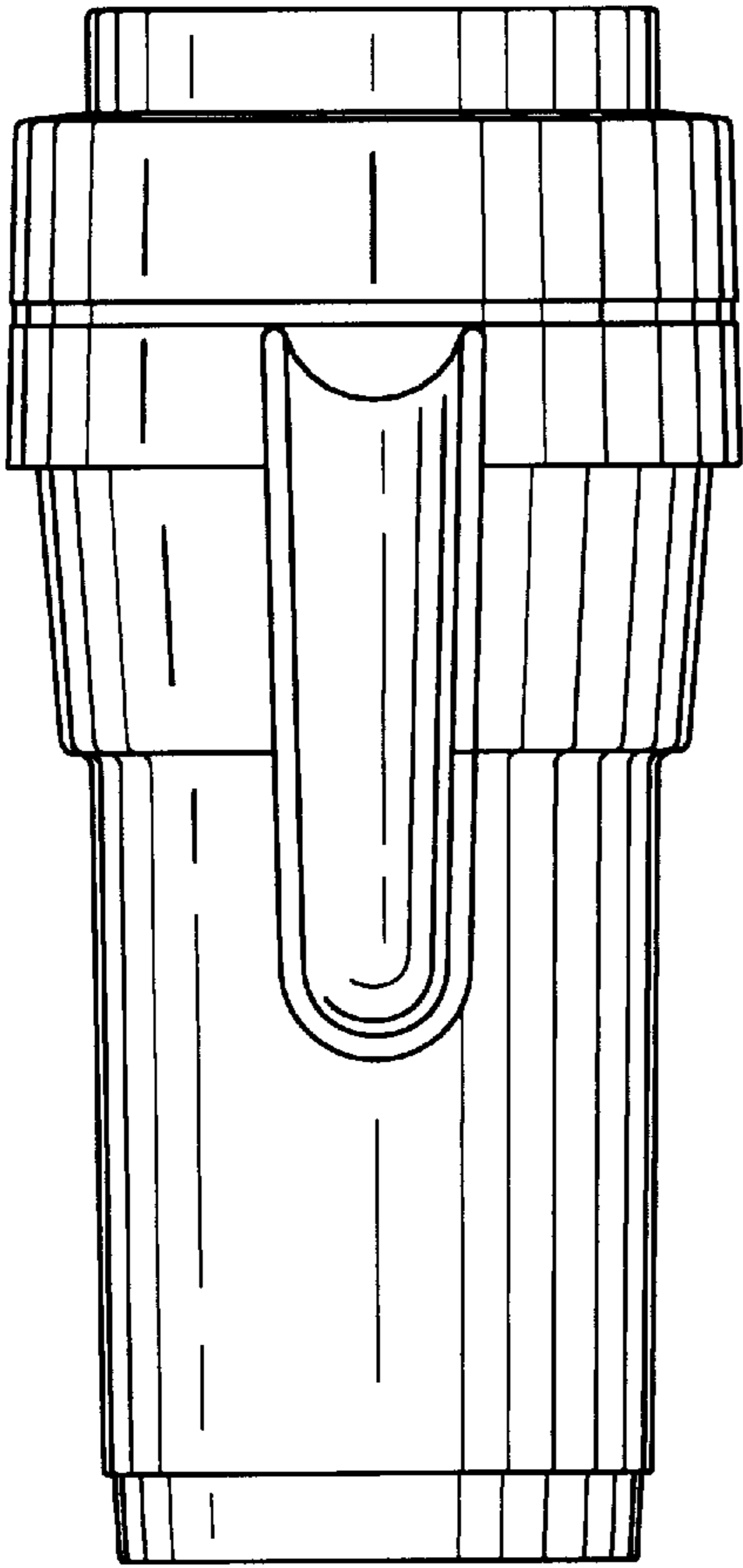


FIG. 5

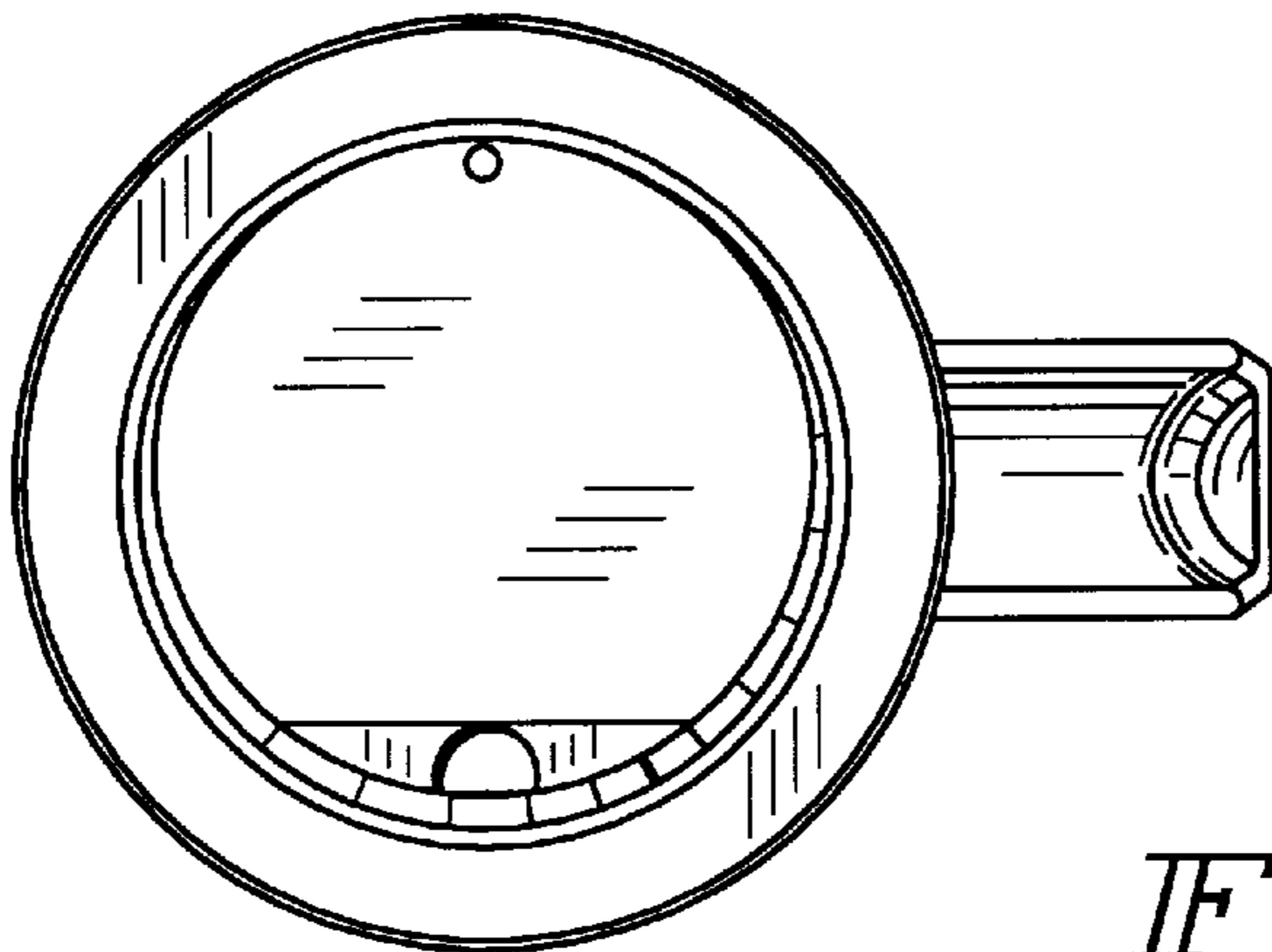
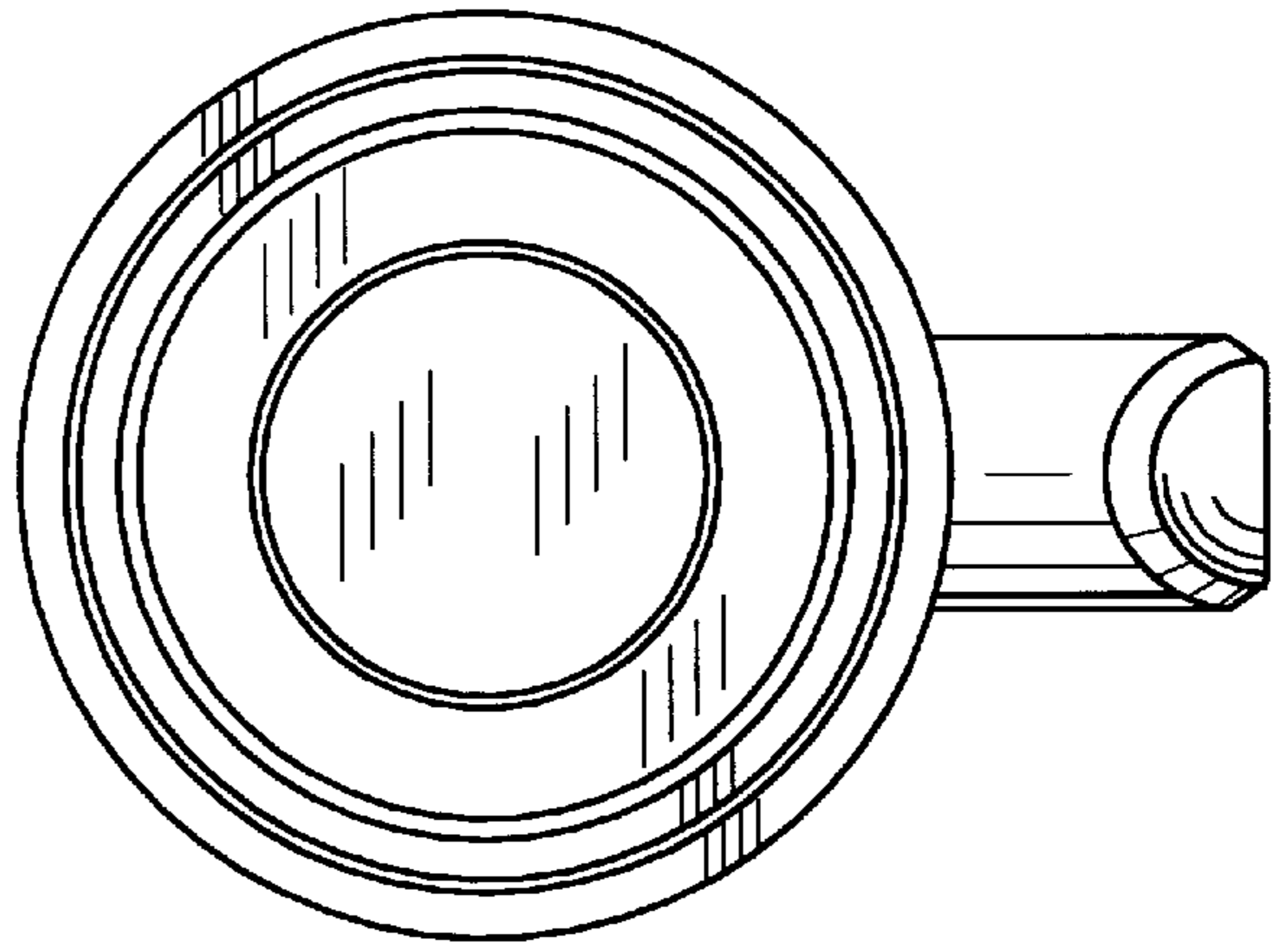


FIG. 6