



US00D398182S

United States Patent [19] Smith

[11] **Patent Number: Des. 398,182**

[45] **Date of Patent: **Sep. 15, 1998**

[54] **HEATED PILLOW**

D. 332,371 1/1993 Gurman D6/601

[76] Inventor: **Henry L. Smith**, 10374 Sorrell Dr.,
Manassas, Va. 20110-2749

Primary Examiner—Janice E. Seeger

[**] Term: **14 Years**

[57] CLAIM

The ornamental design for a heated pillow, as shown.

[21] Appl. No.: **75,114**

DESCRIPTION

[22] Filed: **Aug. 14, 1997**

[51] **LOC (6) Cl.** **06-09**

FIG. 1 is a left side plan view of the heated pillow of the present invention;

[52] **U.S. Cl.** **D6/601; D6/604**

FIG. 2 is a right side plan view of the heated pillow of FIG. 1;

[58] **Field of Search** D6/595–597, 601–604,
D6/611; 5/630–633, 636–638, 644, 417–420,
652, 652.1, 653–655, 655.3, 656, 690, 706,
731, 733, 421, 422; D12/316; D21/236

FIG. 3 is a front plan view of the heated pillow of FIG. 1;

FIG. 4 is a back plan view of the heated pillow of FIG. 1;

FIG. 5 is a top plan view of the heated pillow of FIG. 1; and,

FIG. 6 is a bottom plan view of the heated pillow of FIG. 1

[56] References Cited

U.S. PATENT DOCUMENTS

D. 311,838 11/1990 Dillon D6/596

1 Claim, 3 Drawing Sheets

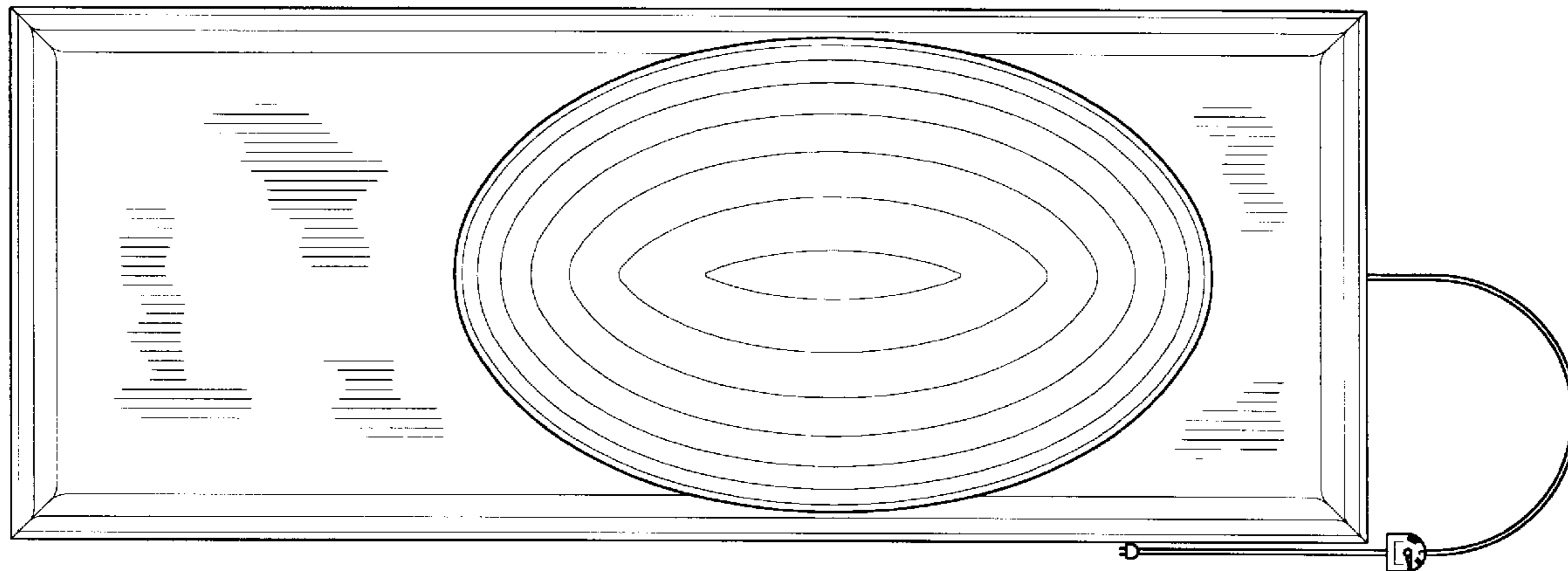
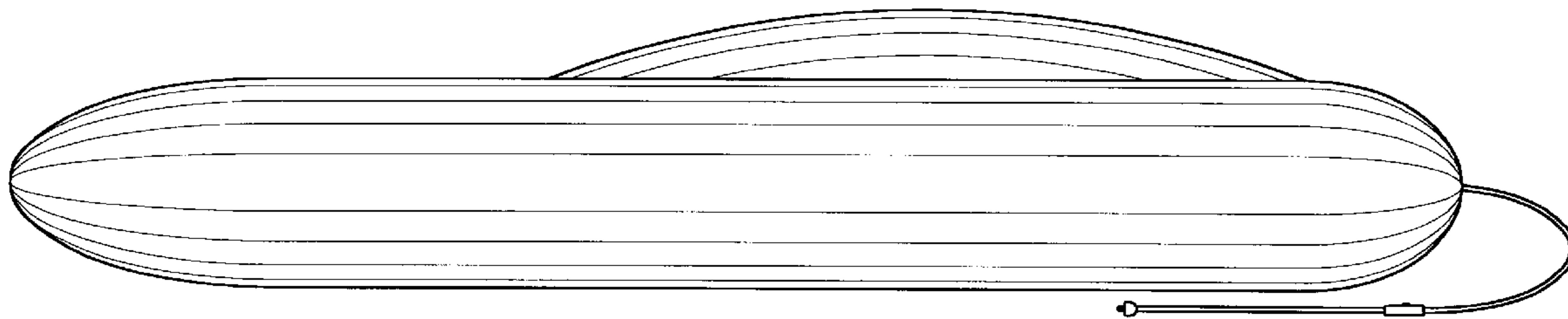




Fig. 1

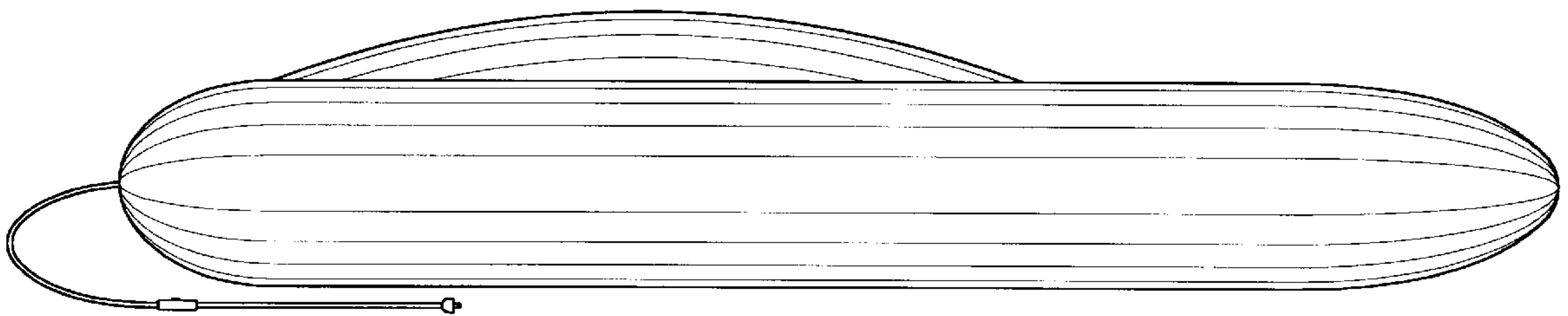


Fig. 2

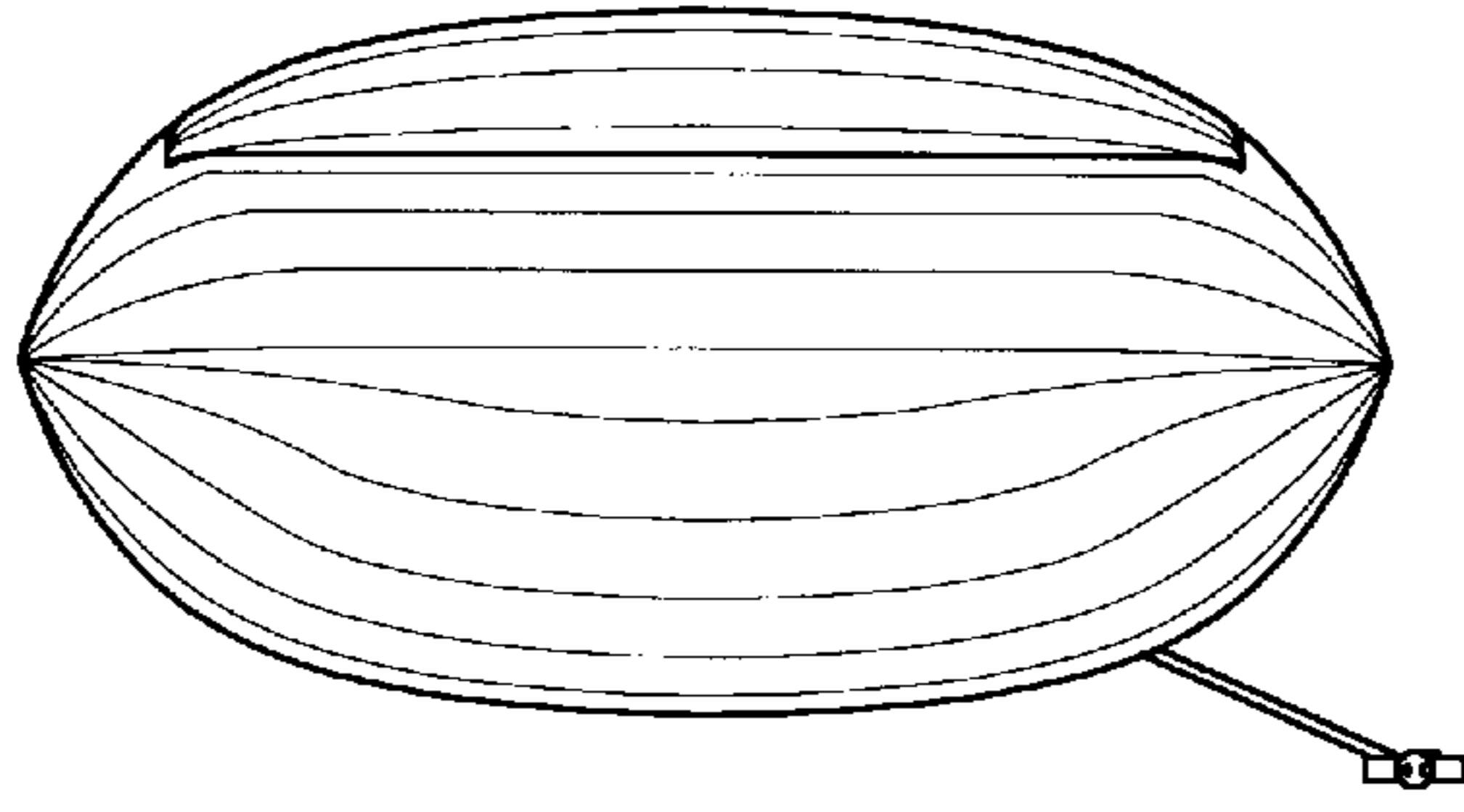


Fig. 3

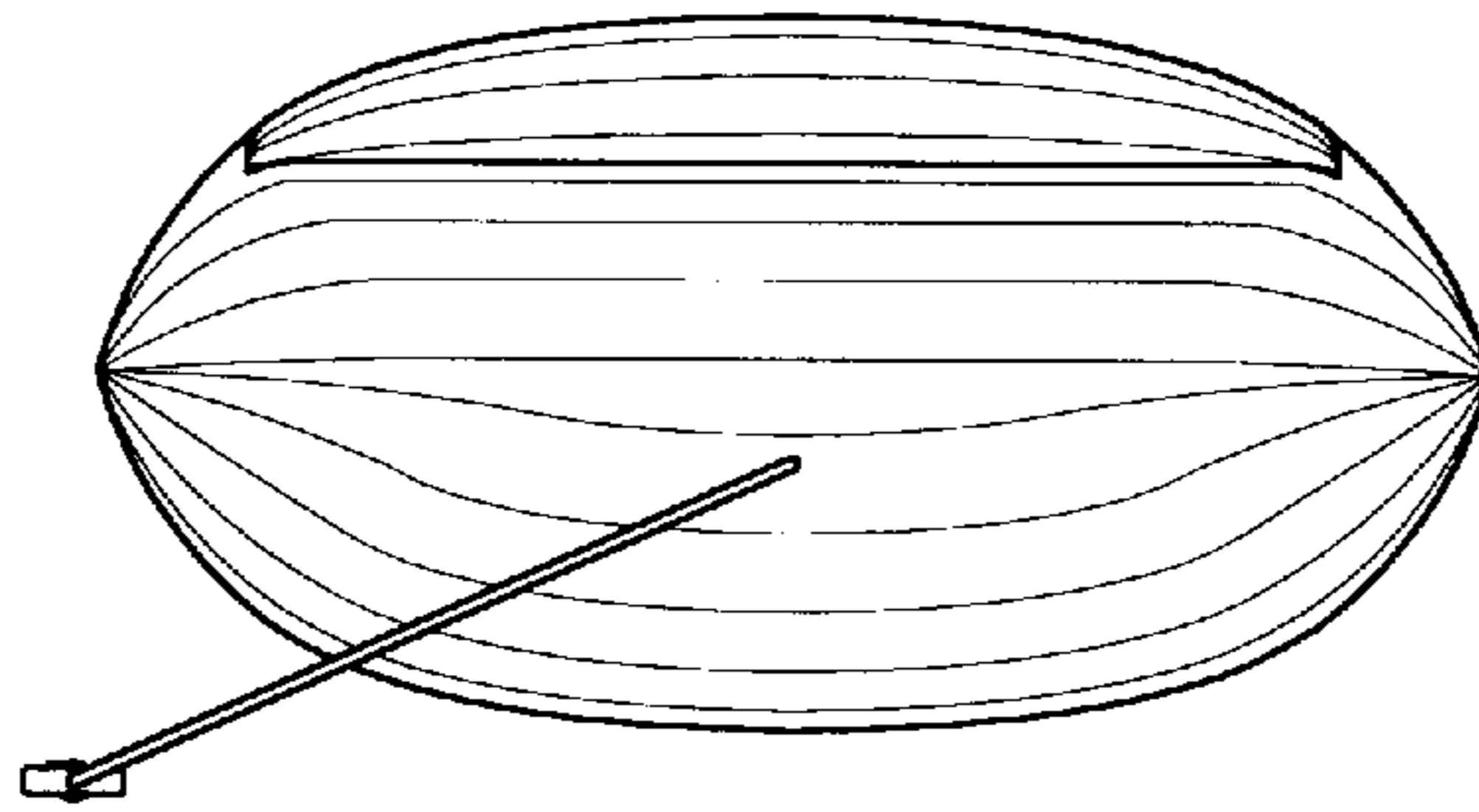


Fig. 4

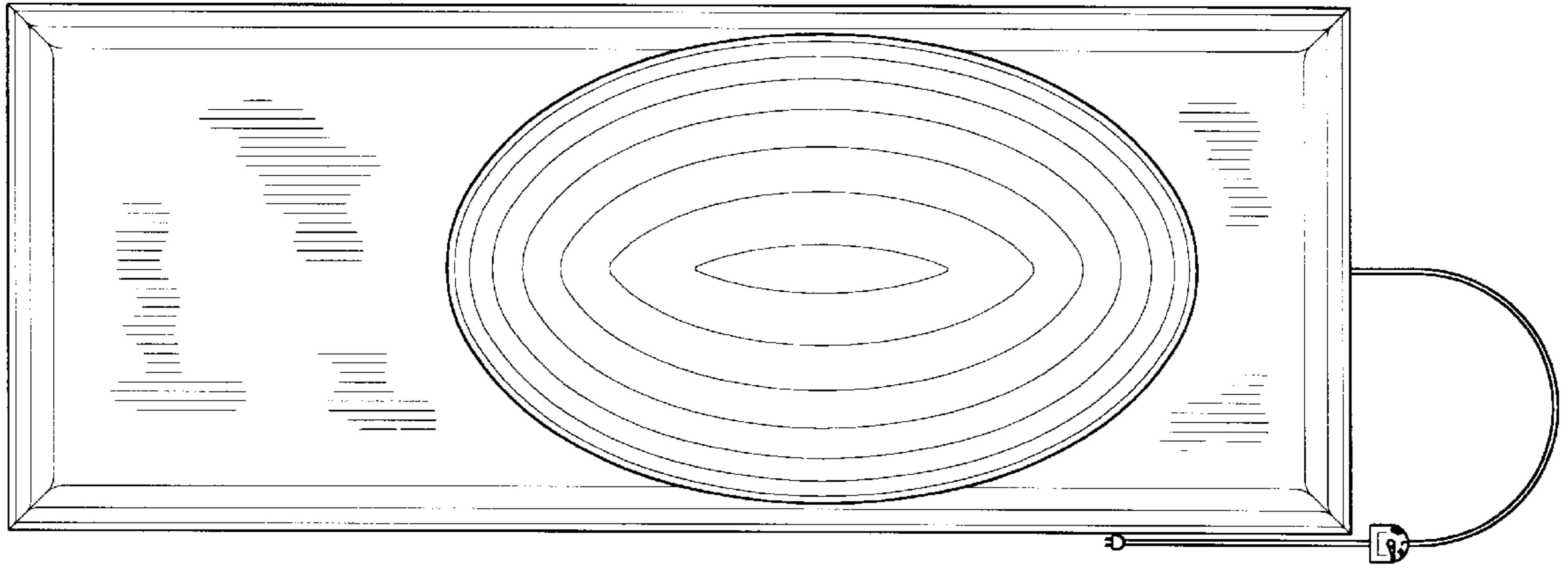


Fig. 5

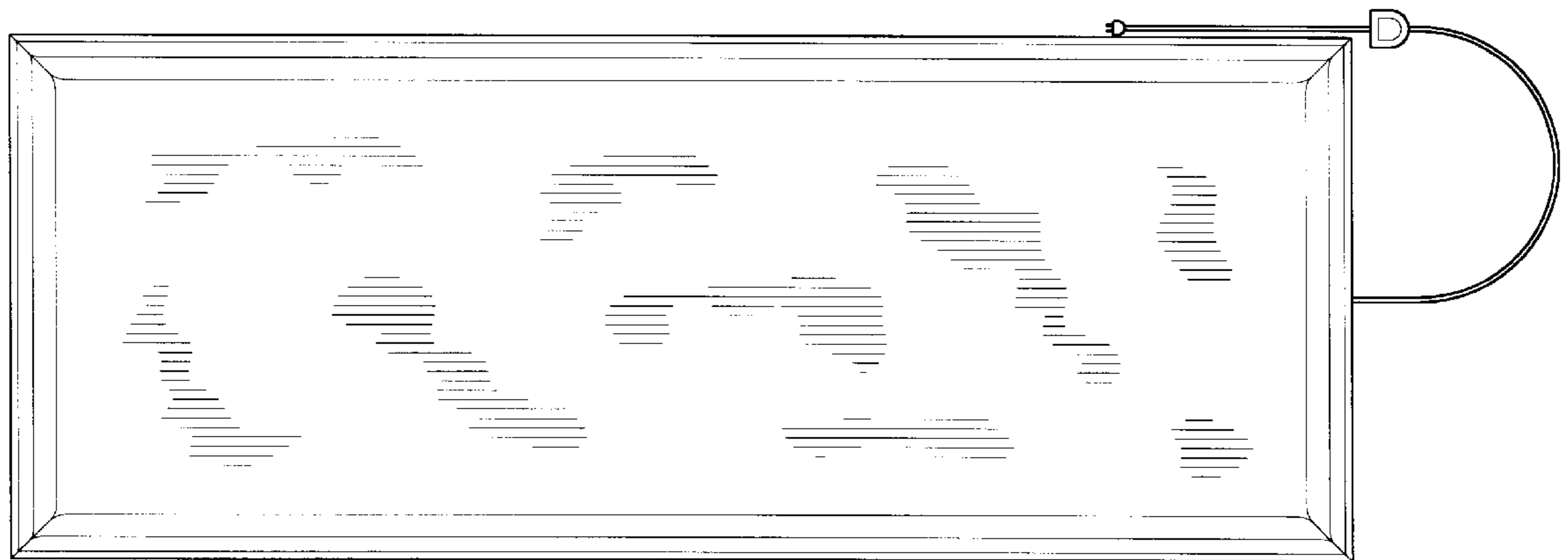


Fig. 6