



US00D398180S

United States Patent [19]

Winter et al.

[11] **Patent Number: Des. 398,180**

[45] **Date of Patent: **Sep. 15, 1998**

[54] **ACCESSORY TRAY FOR MEDICINE CABINET**

[75] Inventors: **Paul Henry Winter**, Wilmington;
James A. Hofman, Hockessin, both of Del.

[73] Assignee: **Zenith Products Corp.**, New Castle, Del.

[**] Term: **14 Years**

[21] Appl. No.: **67,761**

[22] Filed: **Feb. 27, 1997**

[51] **LOC (6) Cl. 08-08**

[52] **U.S. Cl. D6/574**

[58] **Field of Search** D6/512, 567, 574;
D3/901, 905, 304; 206/425, 427, 461, 557,
561, 562, 564, 822; 220/476, 477; 312/242,
245, 34.24

[56] **References Cited**

U.S. PATENT DOCUMENTS

D. 165,135 11/1951 Christensen D6/574

D. 281,229 11/1985 Yemini D6/525
D. 335,232 5/1993 Whitlock D6/525
D. 356,461 3/1995 May et al. D6/567
D. 386,336 11/1997 Douglas D3/304

Primary Examiner—Brian N. Vinson
Attorney, Agent, or Firm—Edgar A. Zarins; Malcolm L. Sutherland

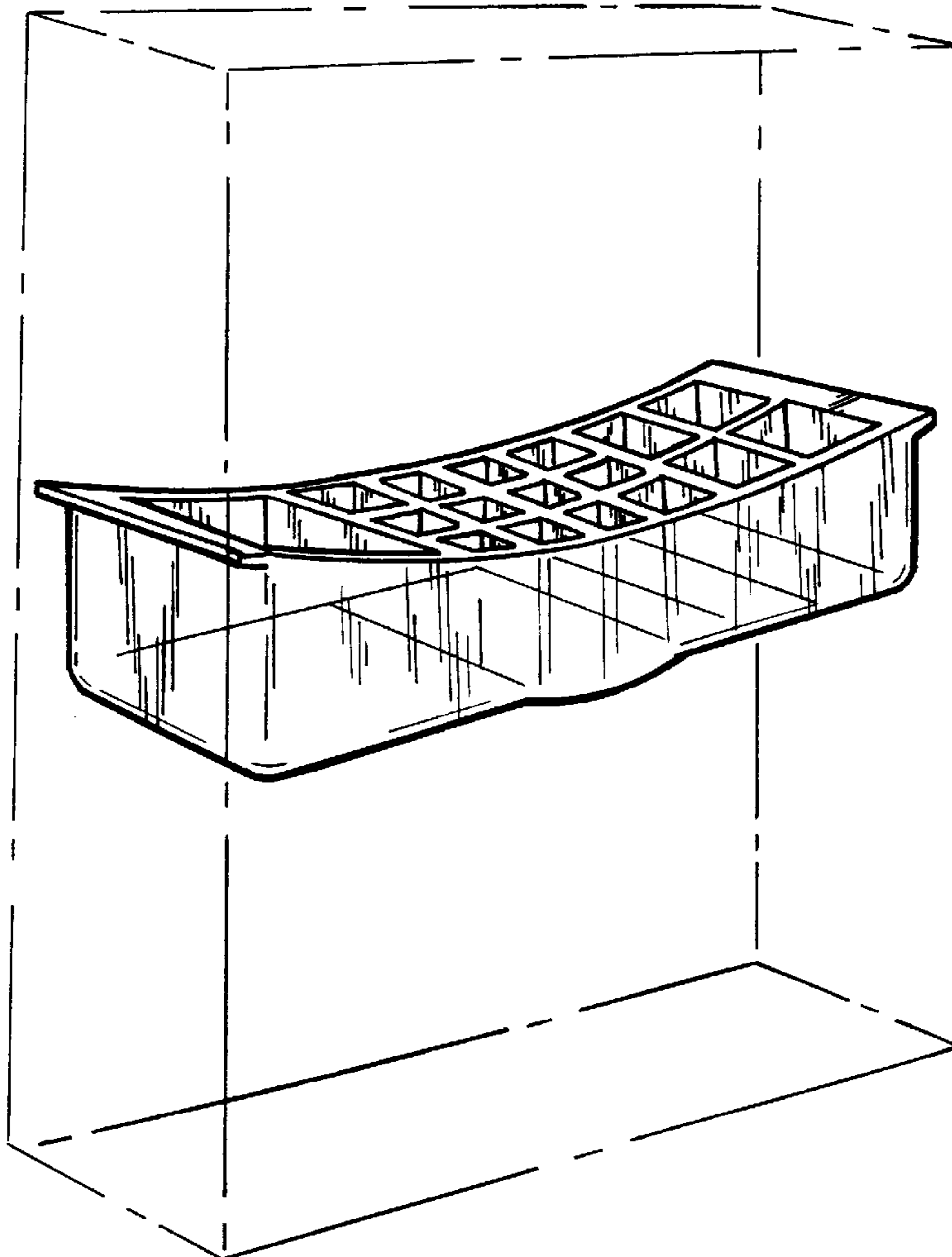
[57] **CLAIM**

The ornamental design for an accessory tray for medicine cabinet, as shown and described.

DESCRIPTION

FIG. 1 is a perspective view of an accessory tray for medicine cabinet showing our new design the broken-line disclosure of a medicine cabinet being for illustrative purposes only and forming no part of the claimed design; FIG. 2 is a front elevational view thereof; FIG. 3 is a top plan view thereof; and, FIG. 4 is an end view thereof, the opposite end being a mirror image of the end shown.

1 Claim, 2 Drawing Sheets



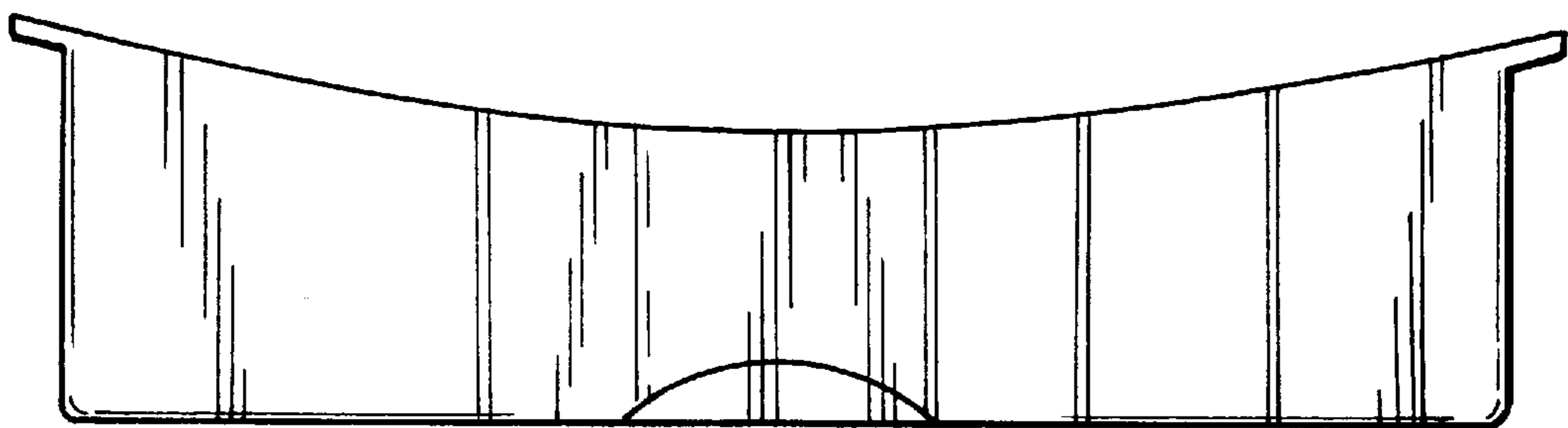
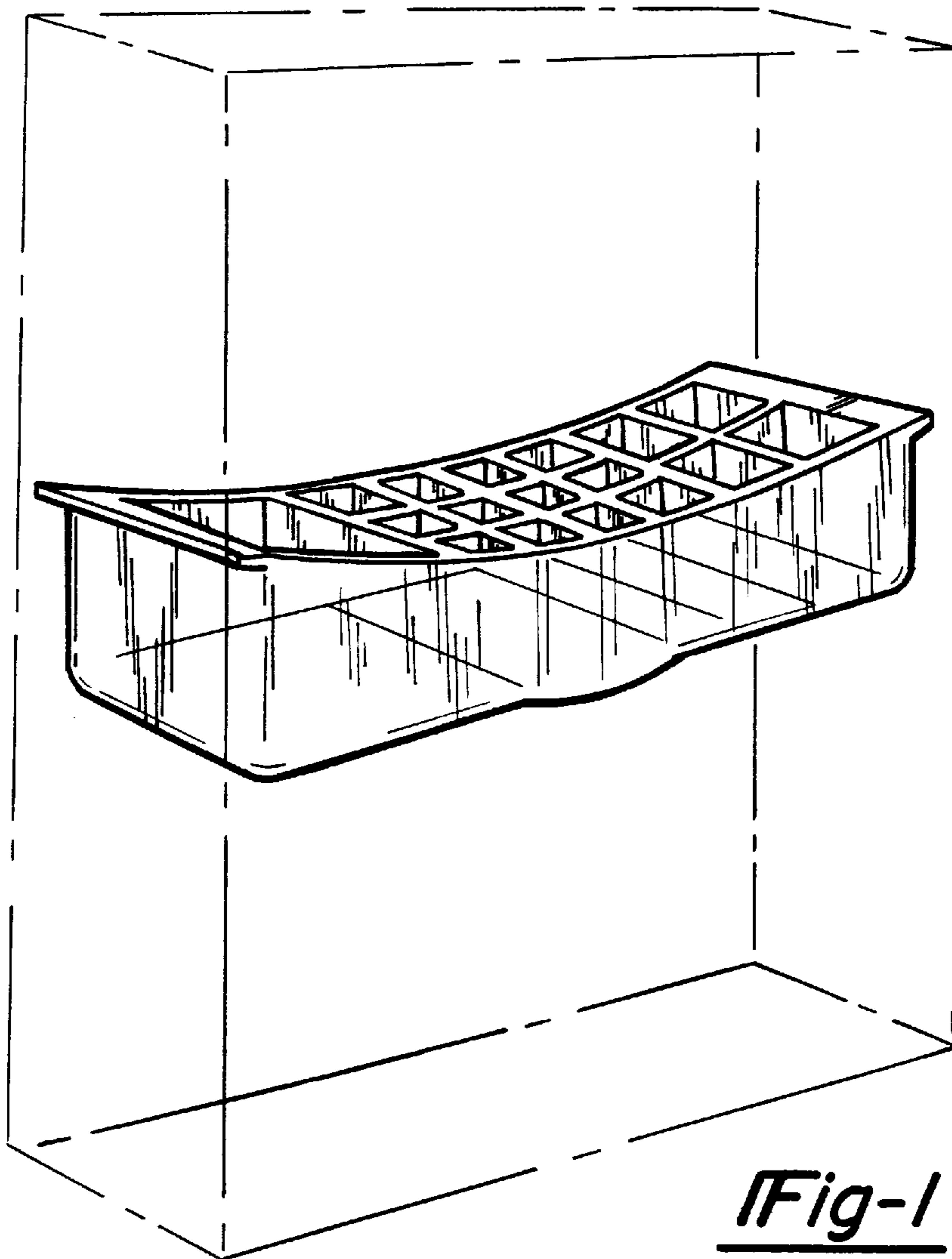


Fig-2

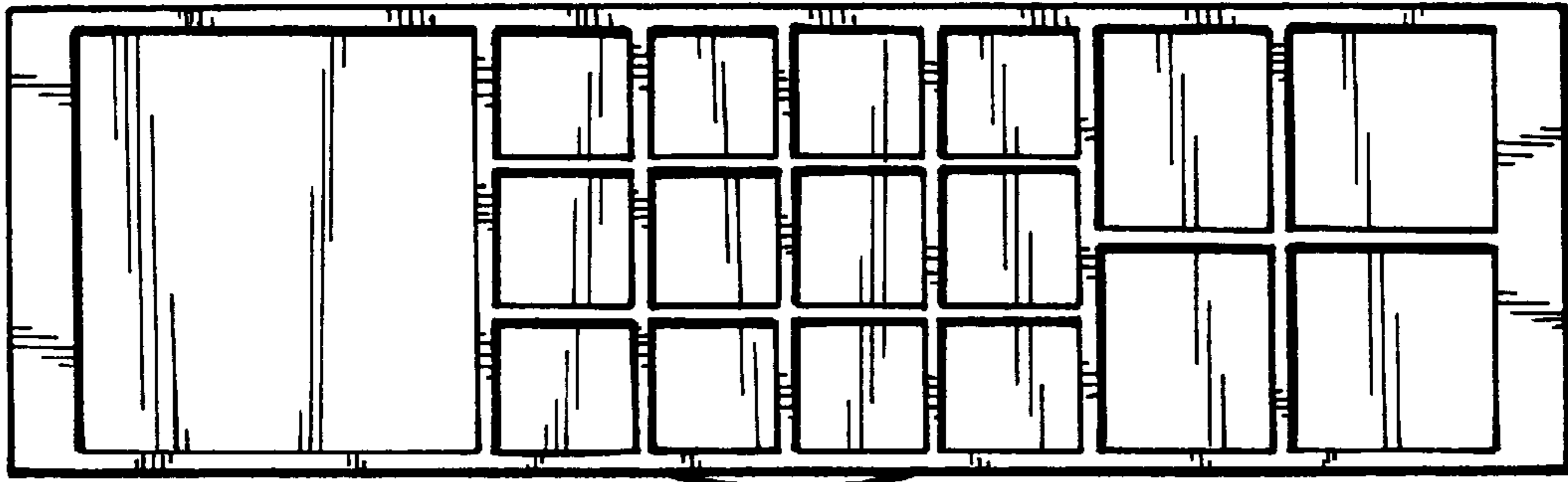


Fig-3

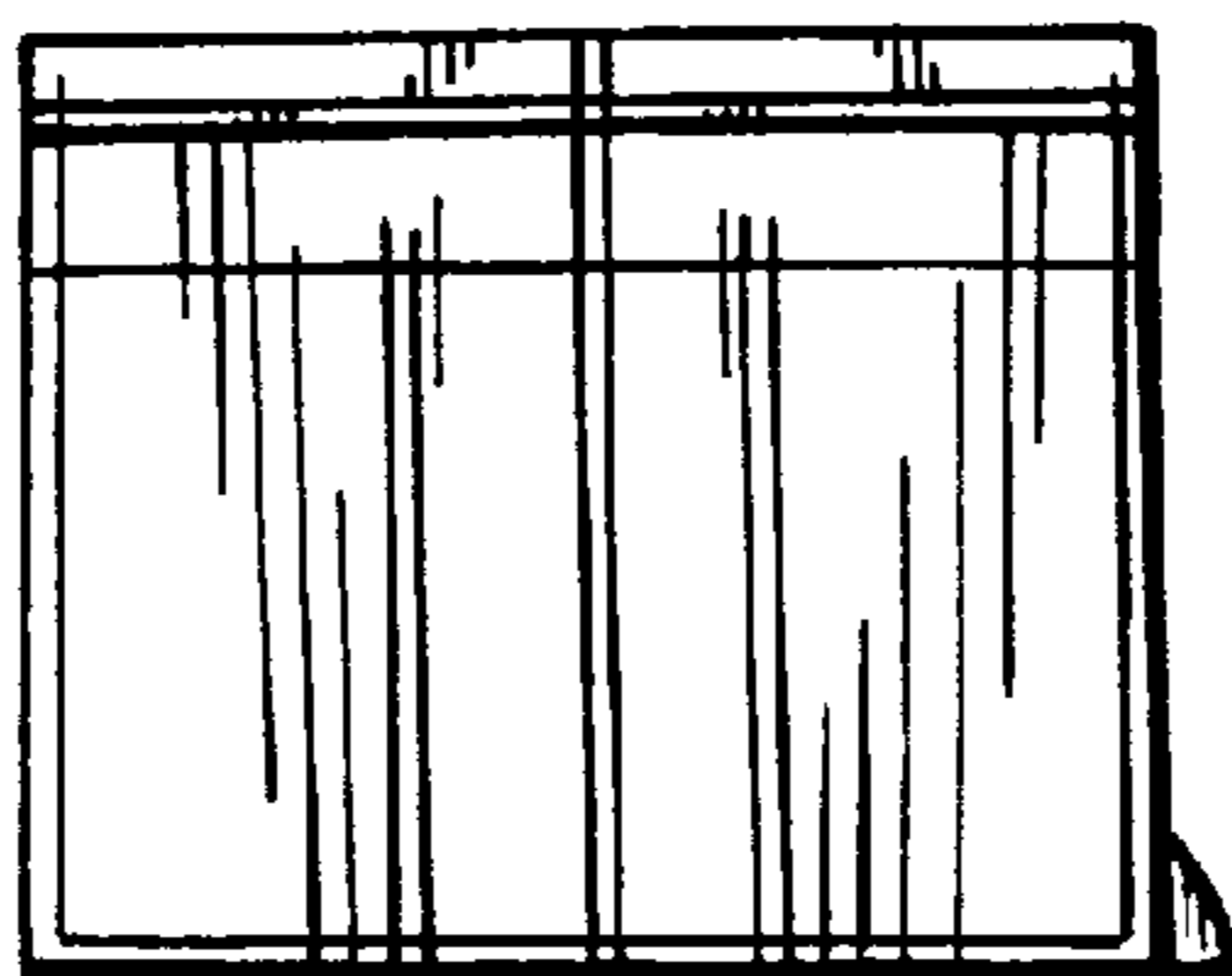


Fig-4