



US00D398179S

United States Patent [19] Cutsinger

[11] **Patent Number: Des. 398,179**

[45] **Date of Patent: **Sep. 15, 1998**

[54] **LID RACK**

4,850,556 7/1989 Otani et al. D6/566 X
5,660,284 8/1997 Vaughn 211/41.2

[76] Inventor: **Billy D. Cutsinger**, P.O. Box 140,
Subiaco, Ark. 72865

Primary Examiner—Brian N. Vinson
Attorney, Agent, or Firm—Stephen D. Carver

[**] Term: **14 Years**

[57] **CLAIM**

[21] Appl. No.: **72,003**

I claim the ornamental design for a lid rack, as shown.

[22] Filed: **Jun. 12, 1997**

DESCRIPTION

[51] **LOC (6) Cl.** **08-08**

[52] **U.S. Cl.** **D6/566; D6/511**

[58] **Field of Search** D6/566, 511; 211/13.1,
211/41.1, 41.2, 41.3, 41.4, 134, 181.1

FIG. 1 is a perspective view of my lid rack;
FIG. 2 is a top plan view of my lid rack;
FIG. 3 is a side elevational view thereof taken from a position generally to the right of the image of FIG. 2;
FIG. 4 is a side elevational view taken generally from a position generally to the left of the image of FIG. 2;
FIG. 5 is a top elevational view taken generally from a position generally to the top of the image of FIG. 2;
FIG. 6 is a bottom elevational view taken generally from a position generally to the bottom of the image of FIG. 2; and,
FIG. 7 is a bottom plan view thereof.

[56] **References Cited**

U.S. PATENT DOCUMENTS

D. 338,121	8/1993	Pelosi	D6/511
D. 354,864	1/1995	Kokenge et al.	D6/566 X
D. 378,481	3/1997	Oberhaus et al.	D6/511
D. 383,341	9/1997	Grosfillex	D6/511
3,164,108	1/1965	Romero	211/41.1

1 Claim, 3 Drawing Sheets

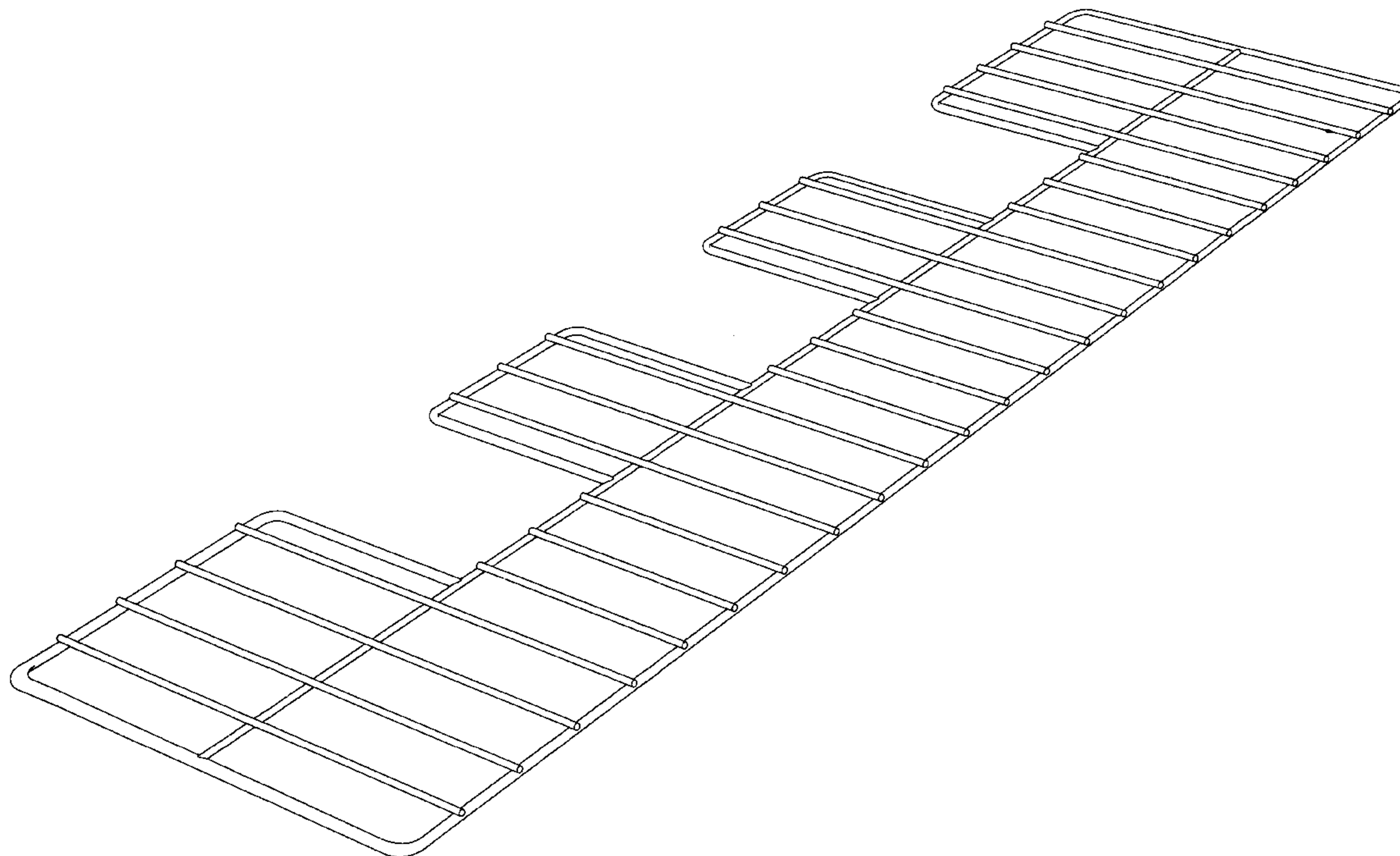


FIG. 1

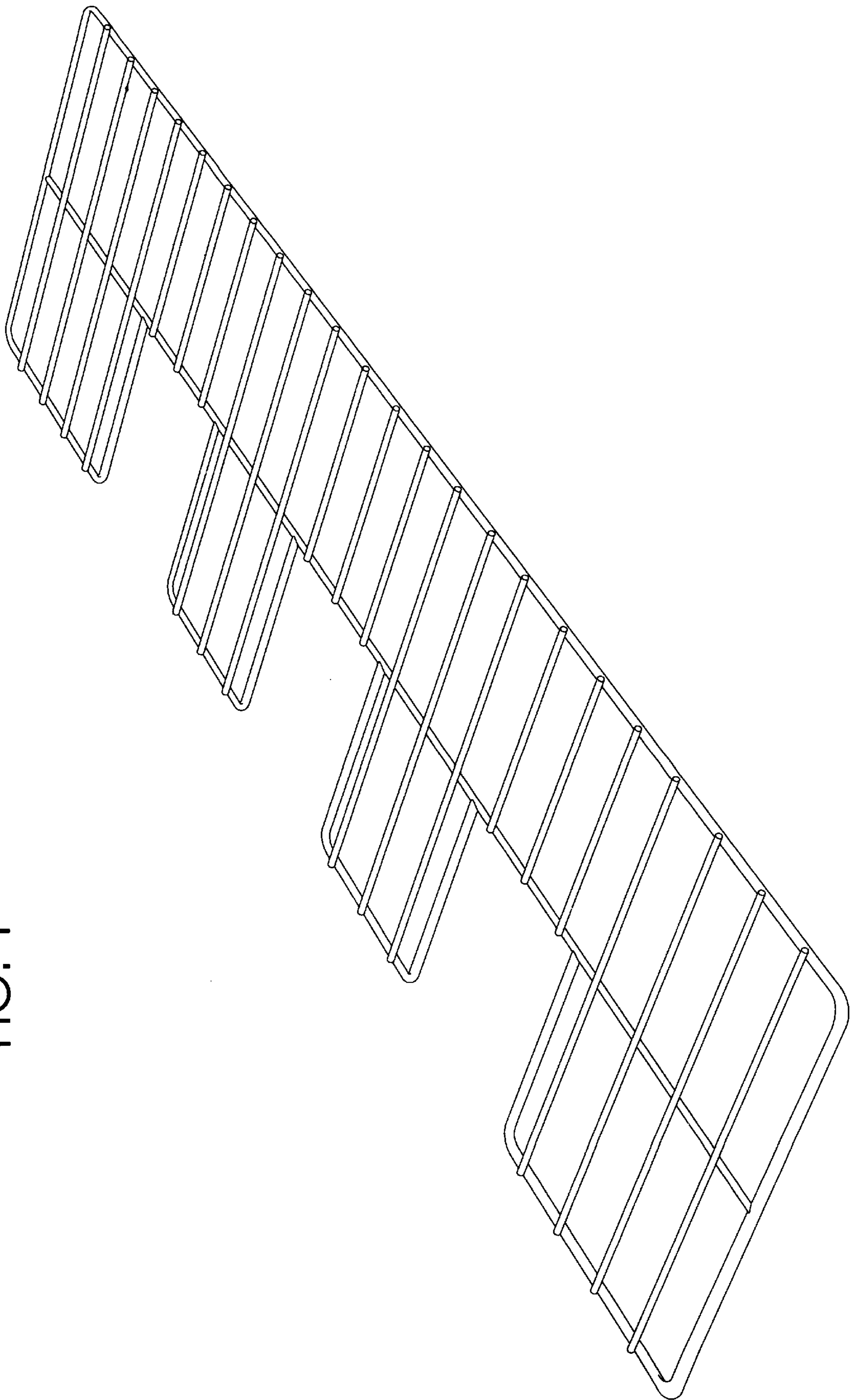


FIG. 2

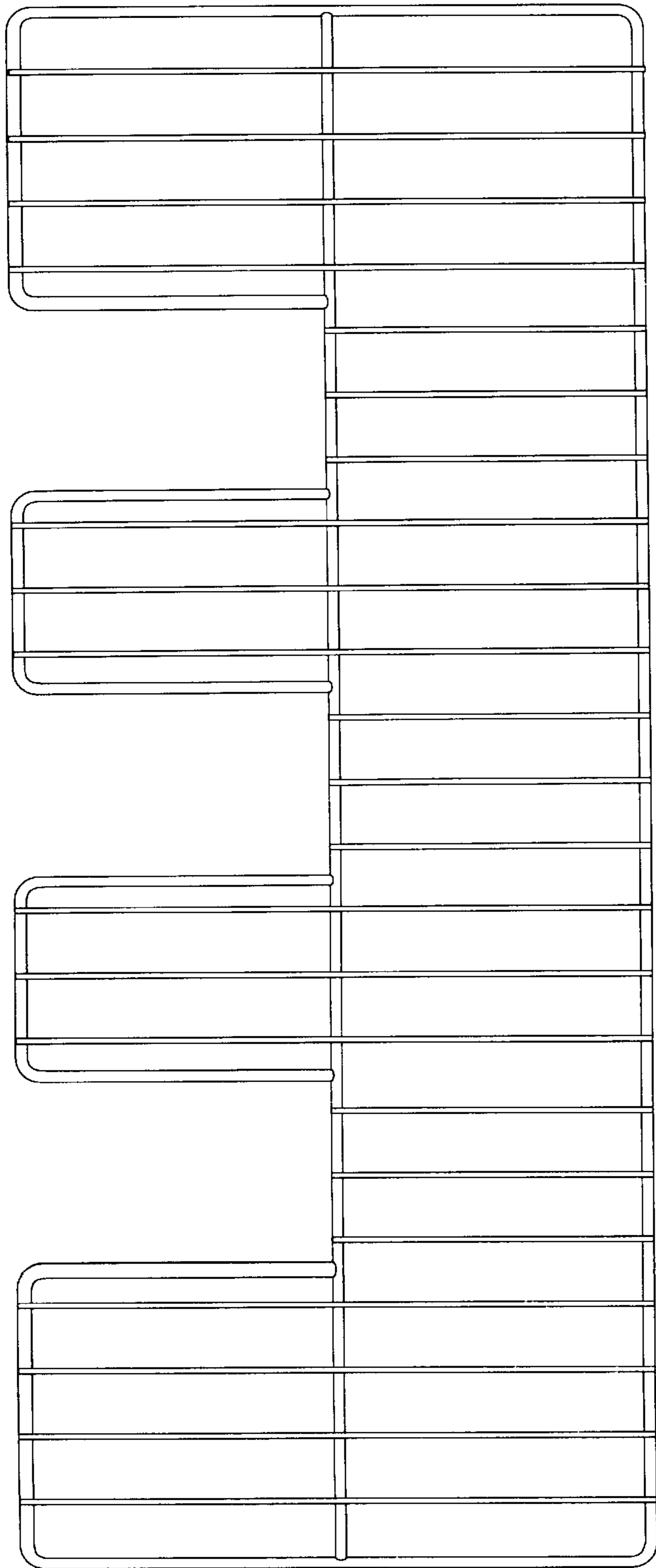


FIG. 3



FIG. 4



FIG. 7

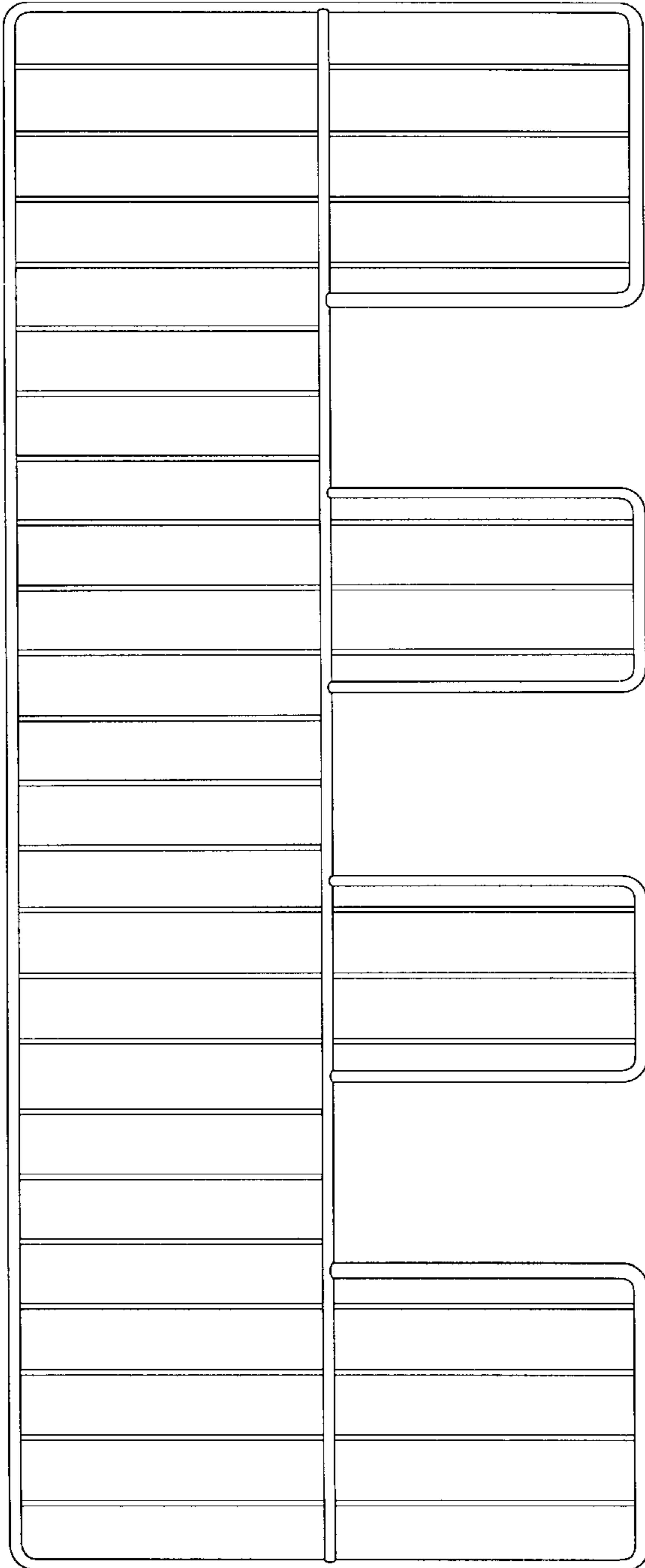


FIG. 5

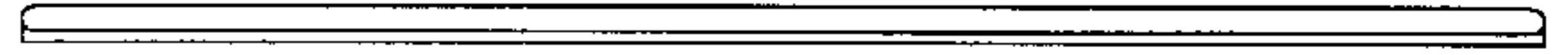


FIG. 6

