



US00D398177S

# United States Patent [19] Garcia

[11] **Patent Number: Des. 398,177**

[45] **Date of Patent: \*\*Sep. 15, 1998**

[54] **TOOTHBRUSH HOLDER**

5,369,835 12/1994 Clarke ..... 248/110  
5,573,019 11/1996 Hempel ..... 211/654

[76] Inventor: **Daniel R. Garcia**, 17905 SW. Pacific Hwy., Tualatin, Oreg. 97062

*Primary Examiner*—Pamela J. Burgess  
*Attorney, Agent, or Firm*—Olson & Olson

[\*\*] Term: **14 Years**

[57] **CLAIM**

[21] Appl. No.: **65,109**

The ornamental design for a toothbrush holder, as shown and described.

[22] Filed: **Jan. 21, 1997**

**DESCRIPTION**

[51] **LOC (6) Cl.** ..... **06-04**

[52] **U.S. Cl.** ..... **D6/534**

[58] **Field of Search** ..... D6/534, 528, 524, D6/526, 527, 529, 530, 531, 539; D4/107; 206/362.3, 15.2, 15.3, 63.5, 349, 361, 362.2; 248/309.1, 205.3, 110, 111, 113; 211/60.1, 65, 66, 87

FIG. 1 is a bottom perspective view looking upward from the lower right showing my new design;  
FIG. 2 is a top perspective view thereof, looking downward from the upper right, the cover of the toothbrush holder being shown in an alternate opened condition;  
FIG. 3 is a top plan view thereof, with the cover of the toothbrush holder being shown in a closed position;  
FIG. 4 is a rear elevational view thereof;  
FIG. 5 is a left side elevational view thereof; the opposite right side being a mirror image;  
FIG. 6 is a front elevational view thereof; and,  
FIG. 7 is a bottom plan view thereof.  
The showing of the toothbrush depicted by means of broken lines in FIGS. 2 and 5 is for illustrative purposes only and forms no part of the claimed design.

[56] **References Cited**

**U.S. PATENT DOCUMENTS**

D. 93,025	8/1934	Koch	.....	D6/534
D. 182,034	2/1958	Merendino	.....	D6/534
2,937,910	5/1960	Randa	.....	248/113
3,531,072	9/1970	Lindquist	.....	248/113
3,746,162	7/1973	Bridges	.....	D6/534 Y
3,946,877	3/1976	Galicia	.....	211/65
5,269,420	12/1993	Harrison et al.	.....	D6/534 Y

**1 Claim, 1 Drawing Sheet**

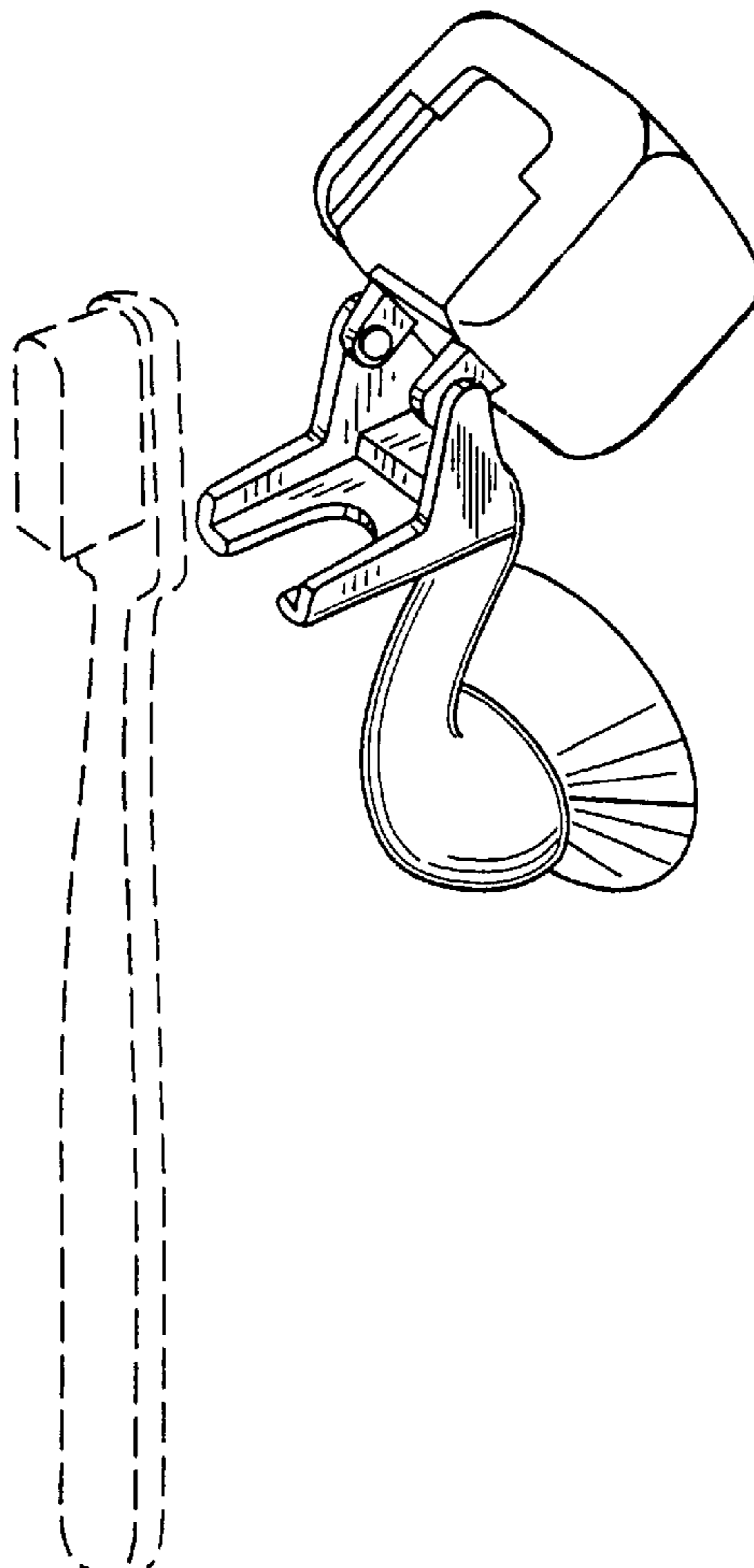


FIG. 1

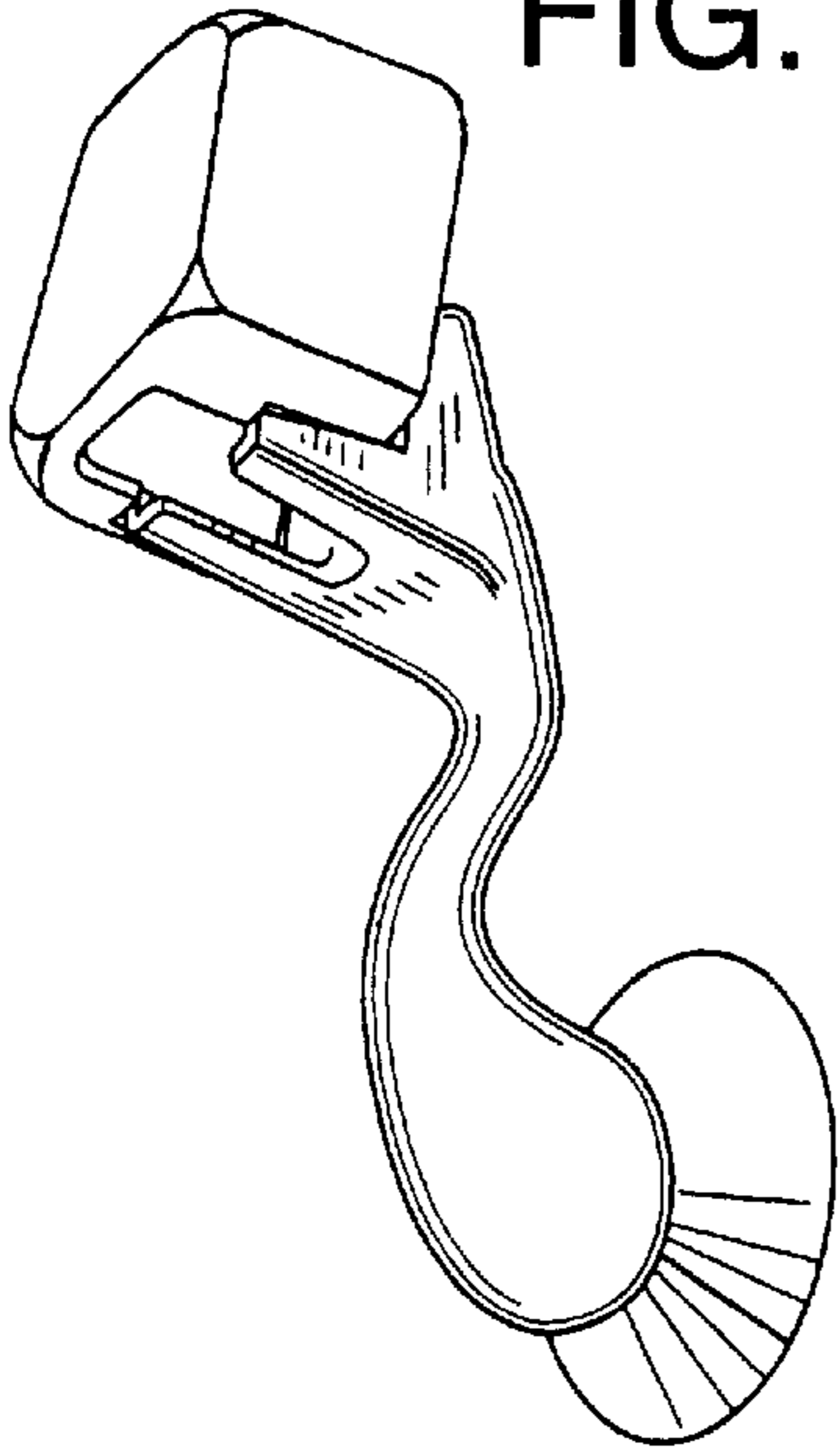


FIG. 2

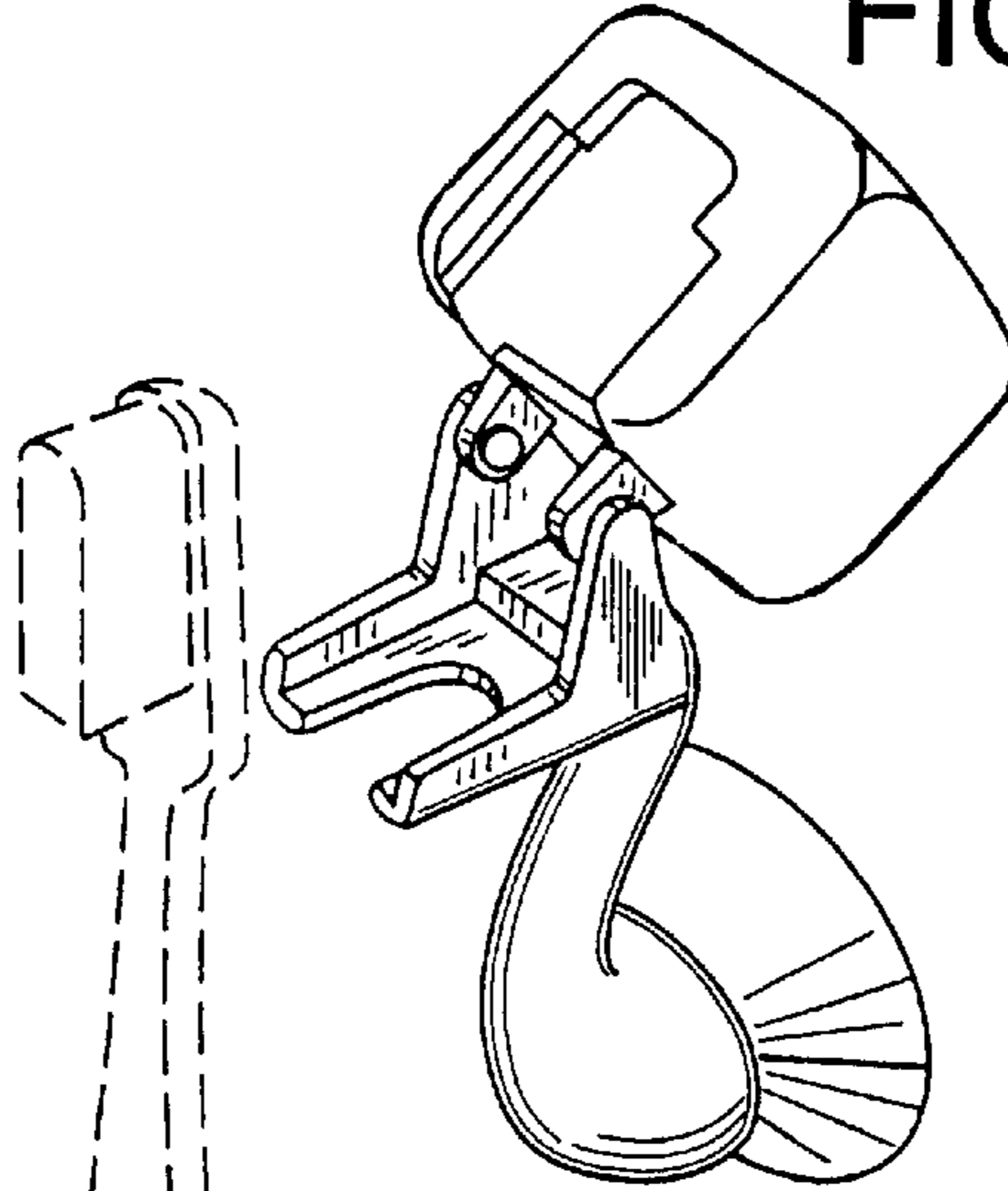


FIG. 3

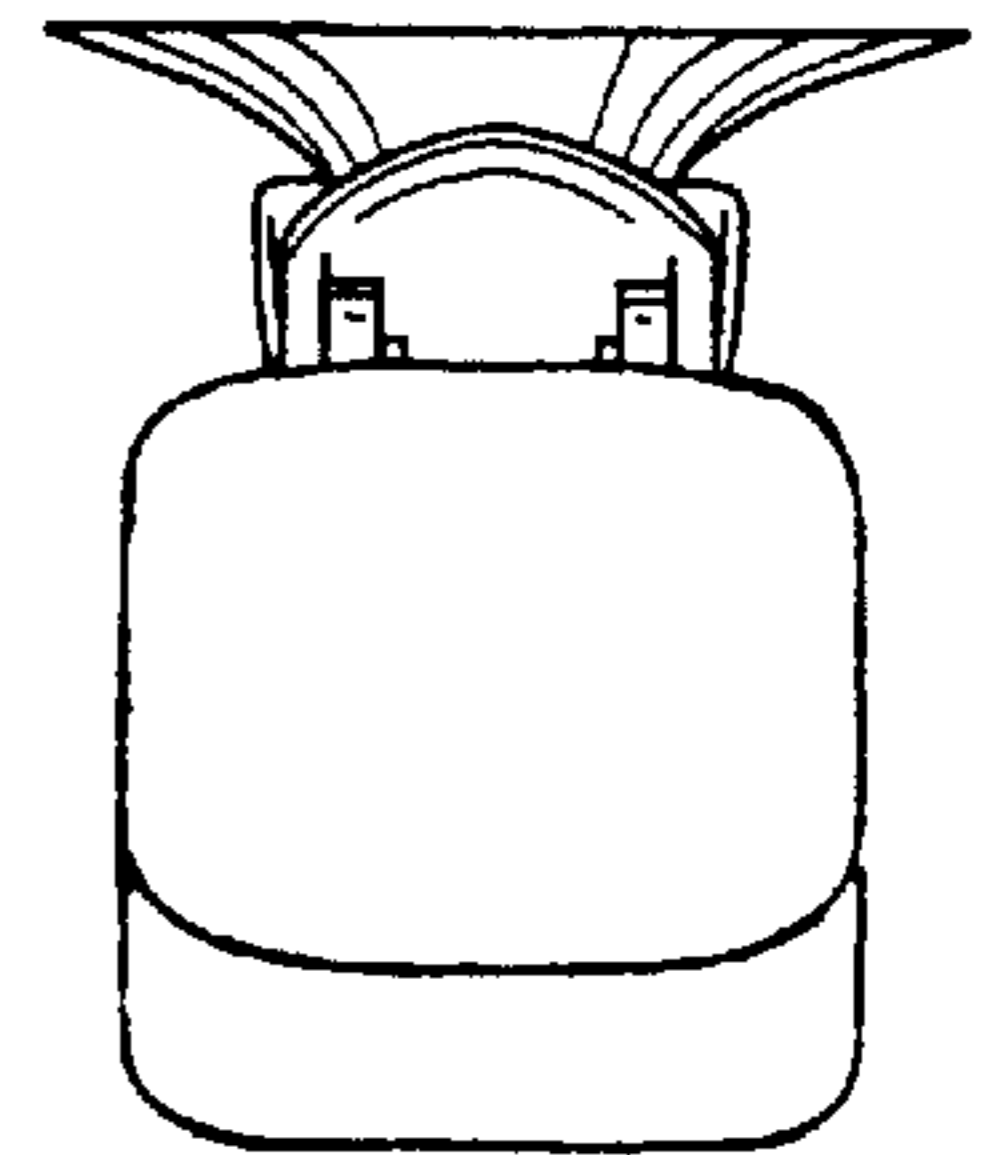


FIG. 4

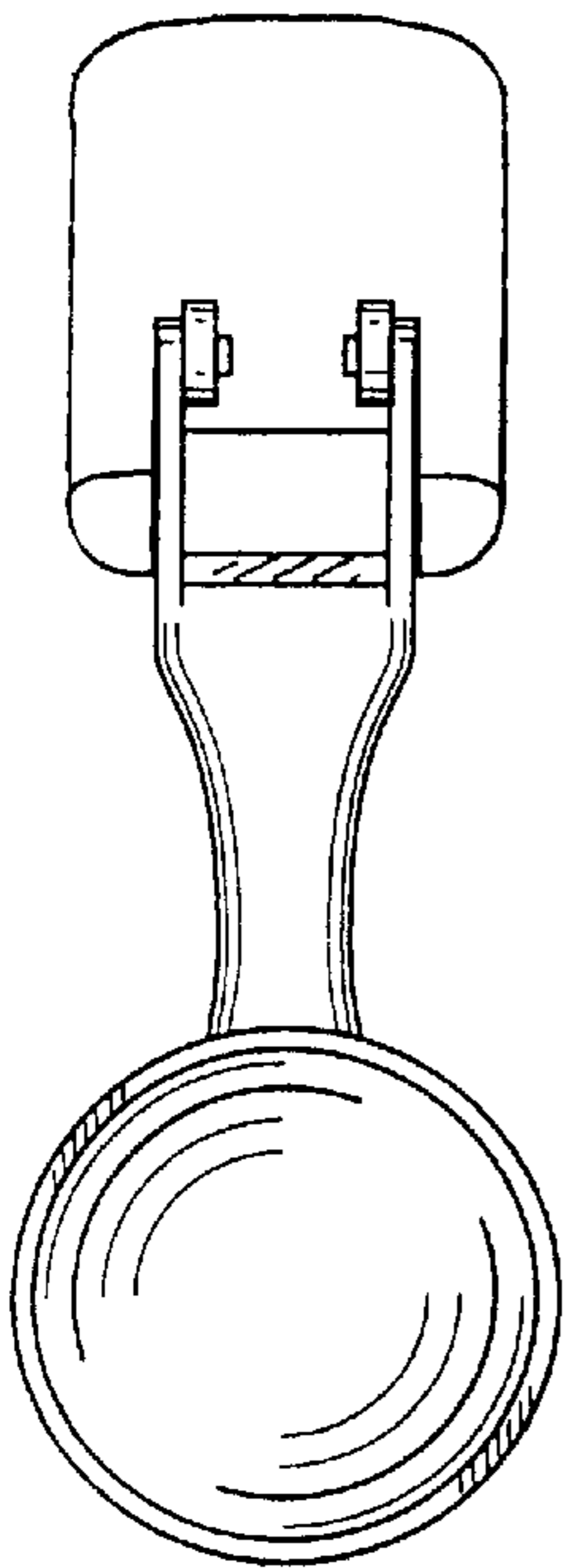


FIG. 5

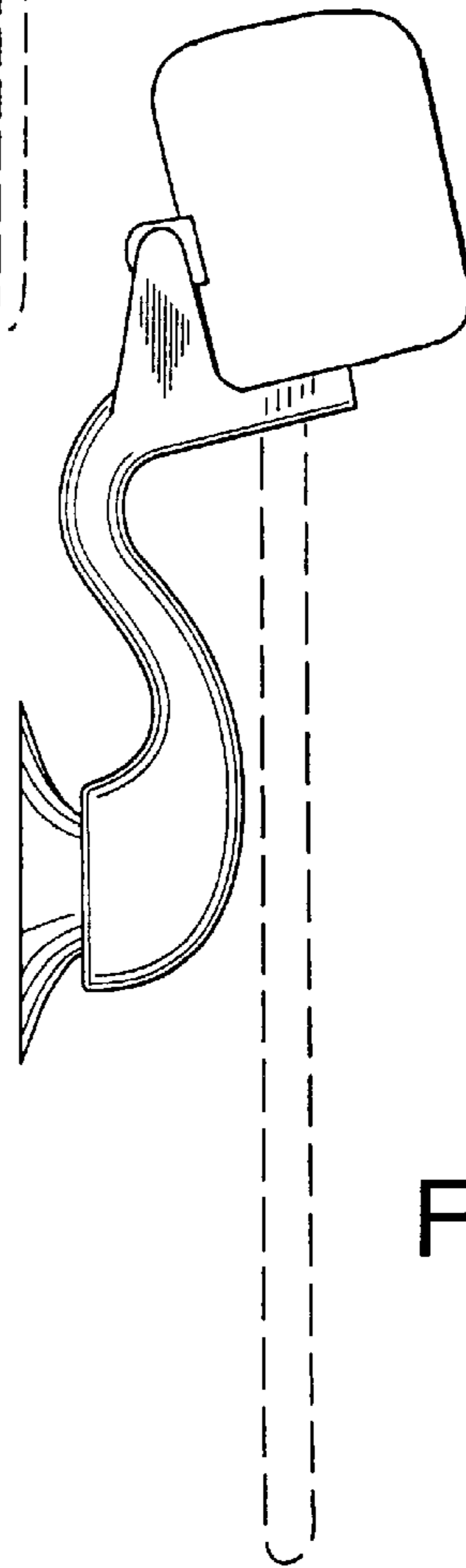


FIG. 6

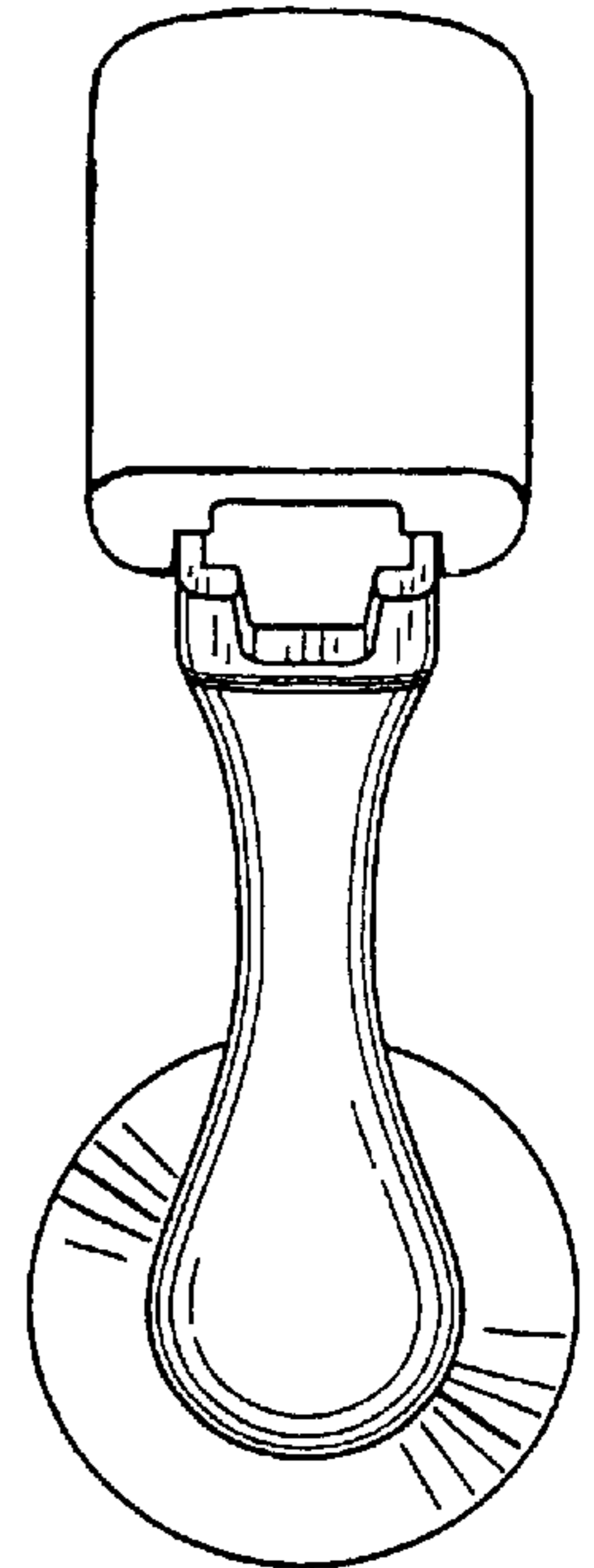


FIG. 7

