



US00D398175S

# United States Patent [19]

Wanek et al.

[11] **Patent Number: Des. 398,175**

[45] **Date of Patent: \*\*Sep. 15, 1998**

[54] **PANEL HEADBOARD**

[75] Inventors: **Ronald G. Wanek**, Arcadia; **John J. Amell**, La Crosse, both of Wis.

[73] Assignee: **Ashley Furniture Industries, Inc.**, Arcadia, Wis.

[\*\*] Term: **14 Years**

[21] Appl. No.: **64,465**

[22] Filed: **Jan. 2, 1997**

### Related U.S. Application Data

[62] Division of Ser. No. 53,852, Apr. 26, 1996.

[51] **LOC (6) Cl.** ..... **06-01**

[52] **U.S. Cl.** ..... **D6/505**

[58] **Field of Search** ..... D6/382, 383, 388, D6/389, 392-395, 505-508; 5/53.1, 279.1, 280, 281, 907

### [56] References Cited

#### U.S. PATENT DOCUMENTS

D. 91,104	11/1933	Douglass	.....	D6/393
D. 178,851	9/1956	Van Koert	.....	D6/393
D. 243,987	4/1977	Carter	.....	D6/507
D. 340,147	10/1993	Black	.	
D. 340,593	10/1993	Black	.	
D. 353,954	1/1995	Bowman	.....	D6/395
D. 366,970	2/1996	Pollard	.....	D6/383
D. 367,773	3/1996	Lewis	.	
D. 370,794	6/1996	Mann et al.	.....	D6/393

#### OTHER PUBLICATIONS

U.S. Trademark Registration No. 1,895,129 for the configuration of a Bed Frame with a Curved Head Board, curved foot board and side boards, and massive posts. Palladian Bed by M. Craig & Company.

National Trust for Historic Preservation, p. 40A, #85-550 and #85-551; Shadows on the Teche Poster Bed, circa 1850 and Canopy, brochure.

Lumber Baron brochure, Country Oak Master Bedroom Collection by Richardson Brothers Company.

Field Guide to American Antique Furniture by Joseph T. Butler, Illustrations by Ray Skibinski, pp. 210 and 215.

Architectural Digest, Aug. 1996, back of front cover.

Traditional Home, Sep. 1996, advertisement of Drexel Heritage® Home Inspirations bed.

Furniture/Today, Apr. 27-May 11, 1981, p. 30.

Furniture/Today, Oct. 22-Nov. 9, 1981, p. 62.

Furniture/Today, Apr. 14-May 2, 1983, p. 124.

Furniture/Today, May 7, 1984, page unknown.

Furniture/Today, Apr. 14, 1986, pp. 92 and 100.

Furniture/Today, Apr. 27, 1987, p. 86.

Furniture/Today, Oct. 19, 1987, pp. 130 and 132.

Furniture/Today, Apr. 18, 1988, pp. 131, 136 and 137.

Furniture/Today, Oct. 24, 1988, 2 unknown pages.

Furniture/Today, Oct. 28, 1996, cover page.

Brill Pine, p. 4, #548 bed headboard.

Thomasville, Tradewinds, headboard at right.

*Primary Examiner*—Janice E. Seeger

*Attorney, Agent, or Firm*—Peterson, Wicks, Nemer & Kamrath, P.A.; Alan D. Kamrath

### [57] CLAIM

The ornamental design for a panel headboard, as shown and described.

### DESCRIPTION

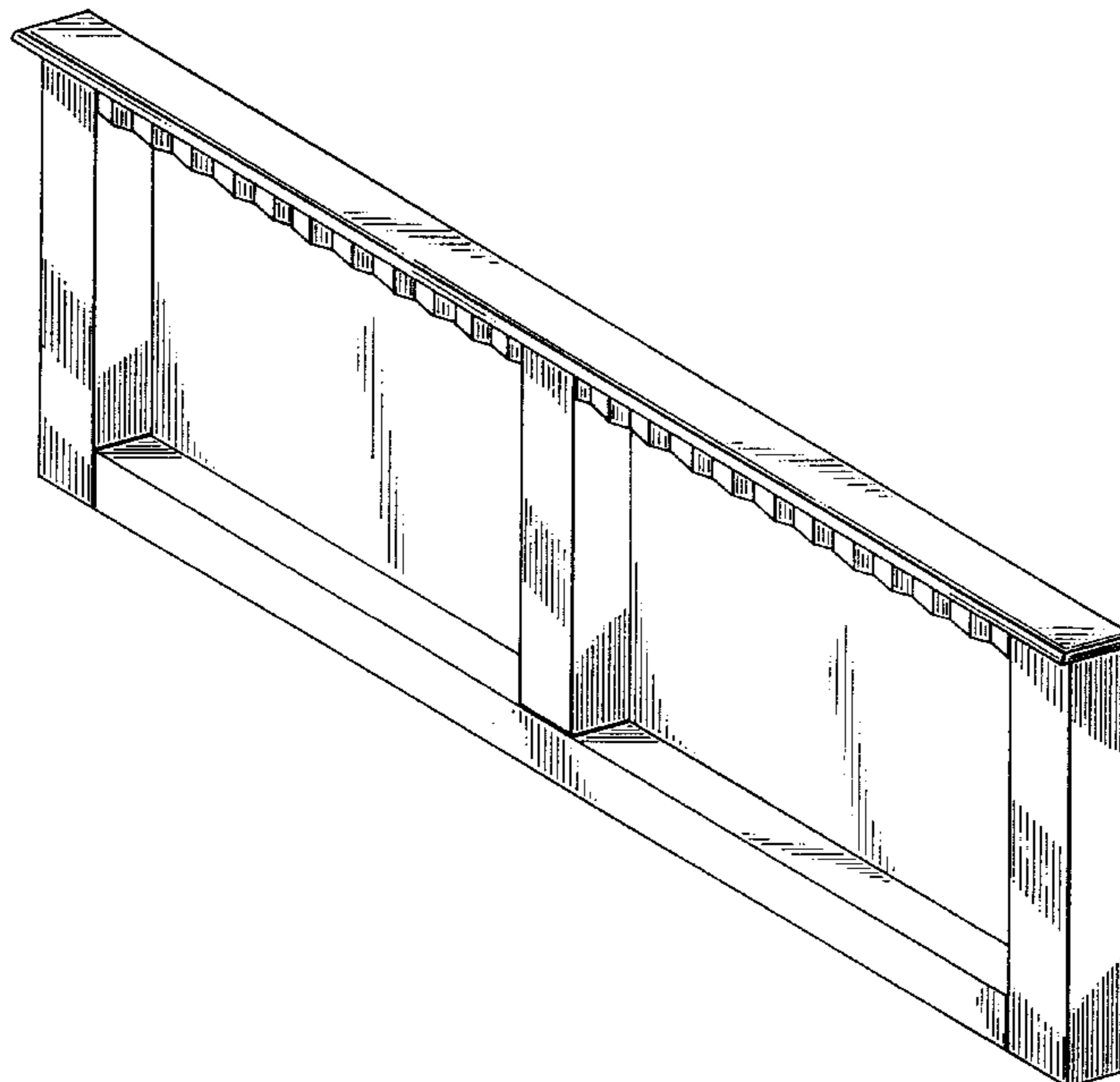
FIG. 1 is a perspective of a panel headboard embodying our new design;

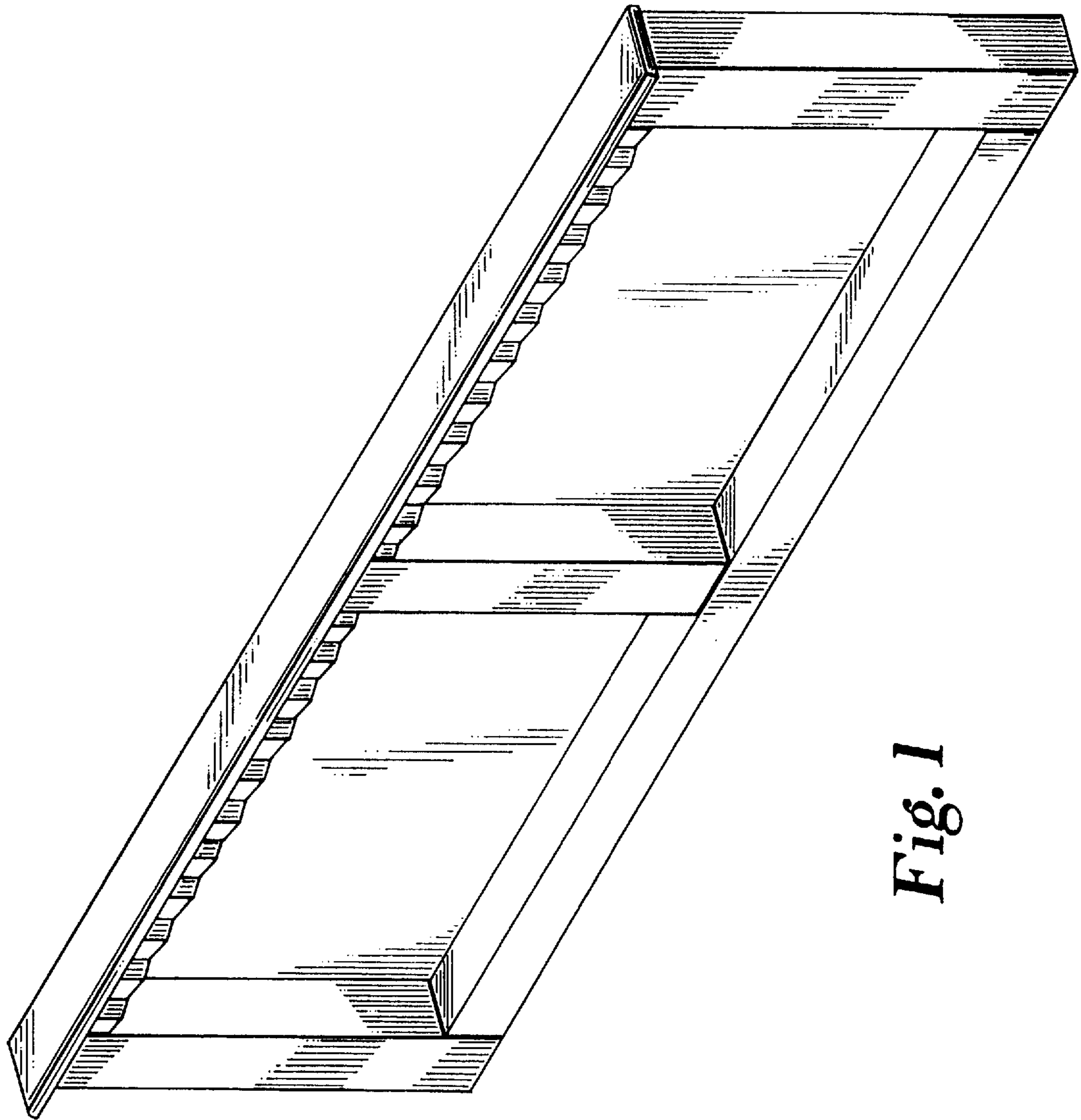
FIG. 2 is a top plan thereof;

FIG. 3 is a front elevation thereof; and,

FIG. 4 is a side elevation thereof with the opposite side elevation thereof being a mirror image thereof.

**1 Claim, 2 Drawing Sheets**

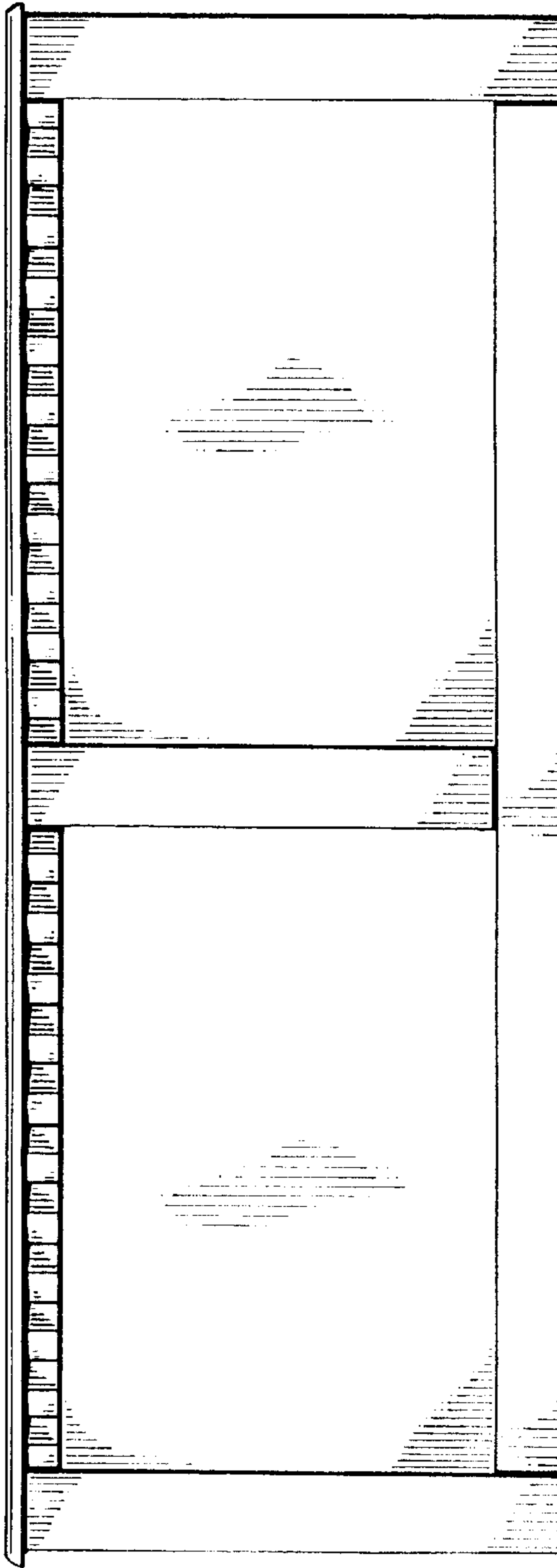




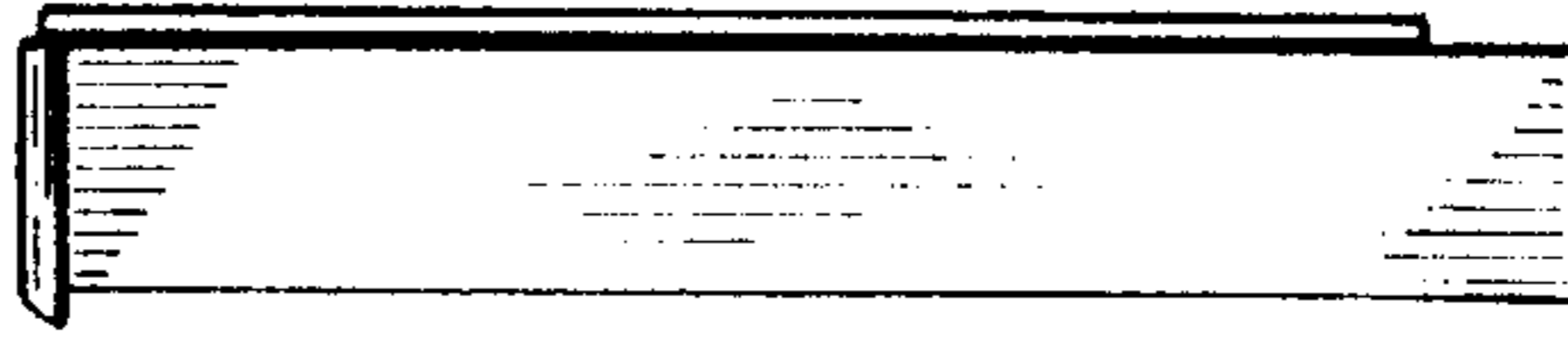
*Fig. 1*



*Fig. 2*



*Fig. 3*



*Fig. 4*