



US00D398174S

United States Patent [19]
Fahnstrom et al.

[11] **Patent Number: Des. 398,174**
[45] **Date of Patent: **Sep. 15, 1998**

[54] **CHAIR ARM REST AND SUPPORT**

[75] Inventors: **Dale E. Fahnstrom; Scott A. Ternovits**, both of Chicago, Ill.;
Michael D. McCoy, Buena Vista, Colo.

[73] Assignee: **Knoll, Inc.**, East Greenville, Pa.

[**] Term: **14 Years**

[21] Appl. No.: **71,572**

[22] Filed: **Jun. 2, 1997**

[51] **LOC (6) Cl.** **06-06**

[52] **U.S. Cl.** **D6/501; D6/366**

[58] **Field of Search** D6/334, 364, 365,
D6/366, 367, 379, 500, 501, 502; 297/411.2,
411.27

[56] **References Cited**

U.S. PATENT DOCUMENTS

D. 273,917 5/1984 Pelly et al. D6/366
D. 349,621 8/1994 Wilson D6/501

D. 355,089 2/1995 Ivcevic .
D. 369,259 4/1996 Breen D6/500
D. 373,274 9/1996 James D6/501
D. 376,716 12/1996 Nemeth, Jr. D6/501
D. 381,525 7/1997 James D6/366
5,265,938 11/1993 Melhuish et al. .

Primary Examiner—Gary D. Watson
Attorney, Agent, or Firm—Buchanan Ingersoll, P.C.

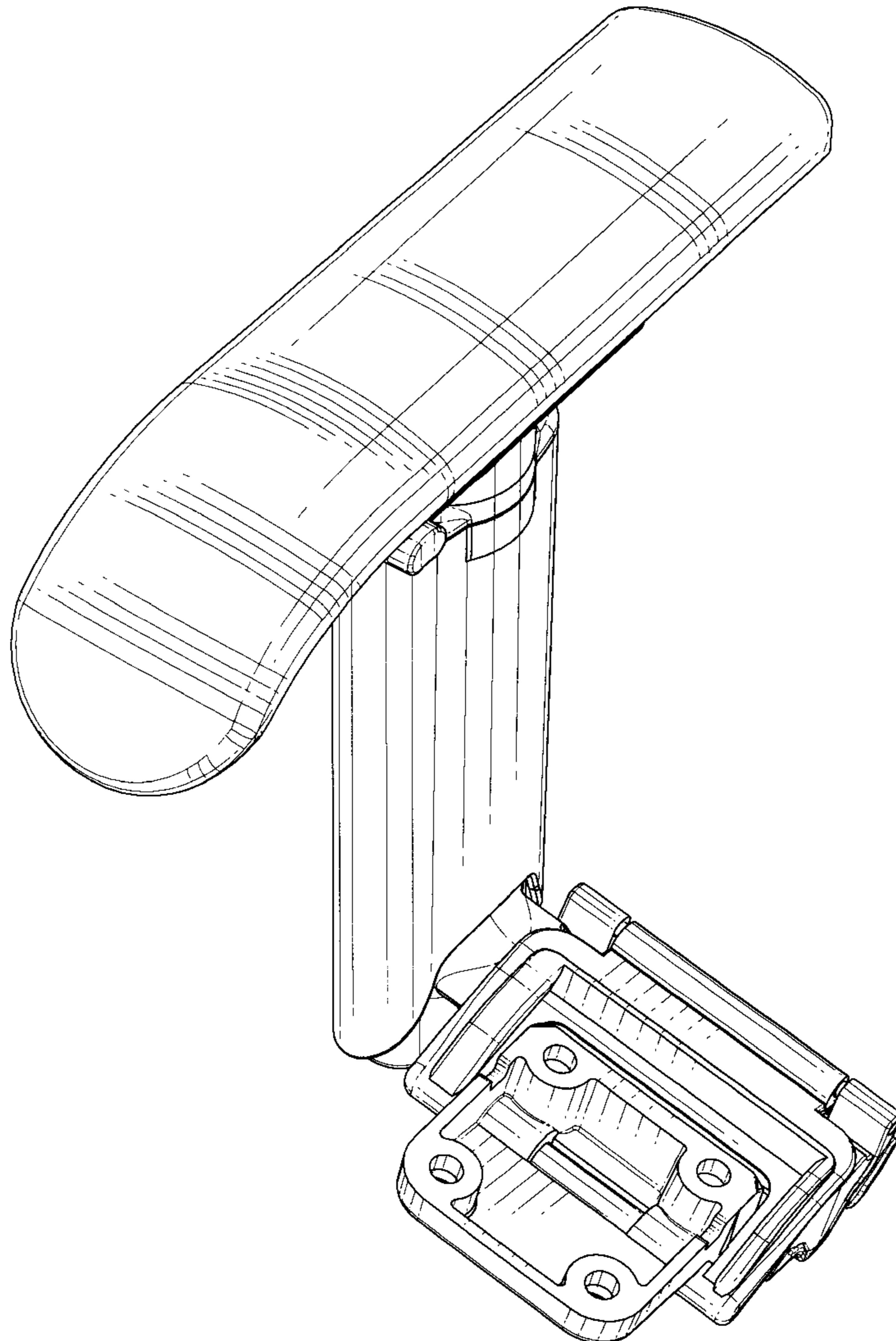
[57] **CLAIM**

The ornamental design for a chair arm rest and support, as shown and described.

DESCRIPTION

FIG. 1 is a perspective view of a chair arm rest and support showing our new design;
FIG. 2 is a front elevational view thereof;
FIG. 3 is a top plan view thereof;
FIG. 4 is a bottom plan view thereof;
FIG. 5 is a right side elevational view thereof;
FIG. 6 is a left side elevational view thereof; and,
FIG. 7 is a rear elevational view thereof.

1 Claim, 7 Drawing Sheets



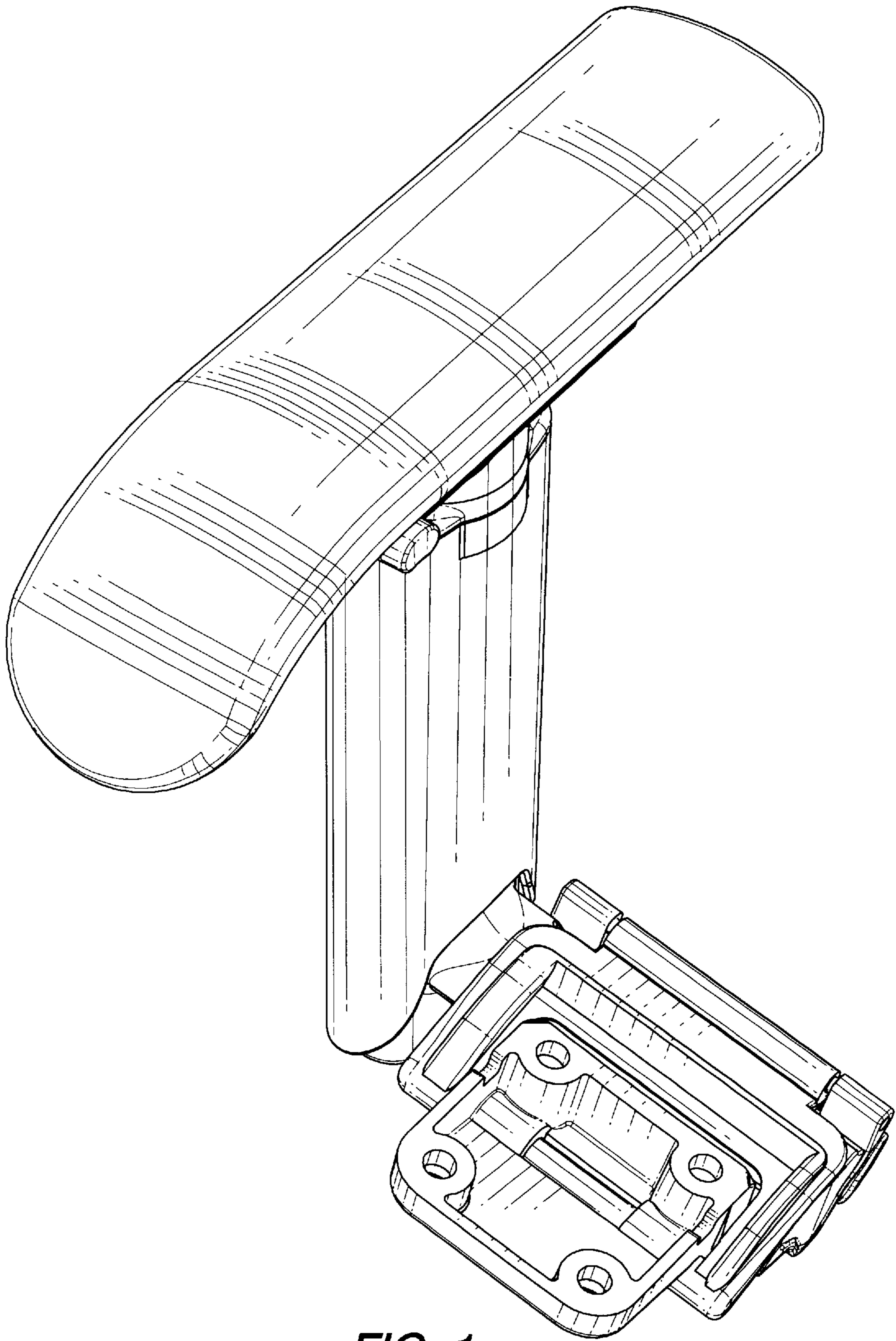


FIG. 1

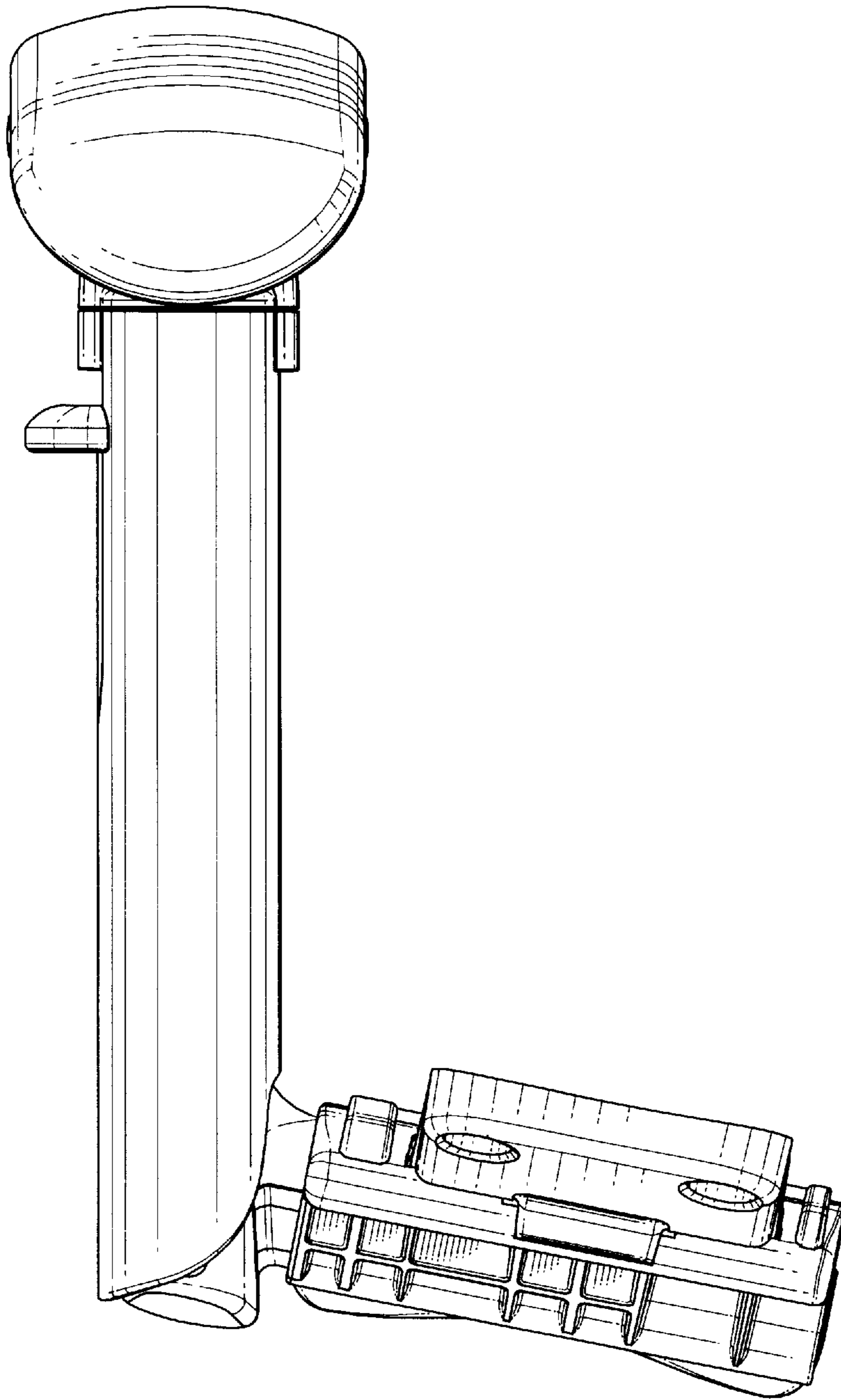


FIG. 2

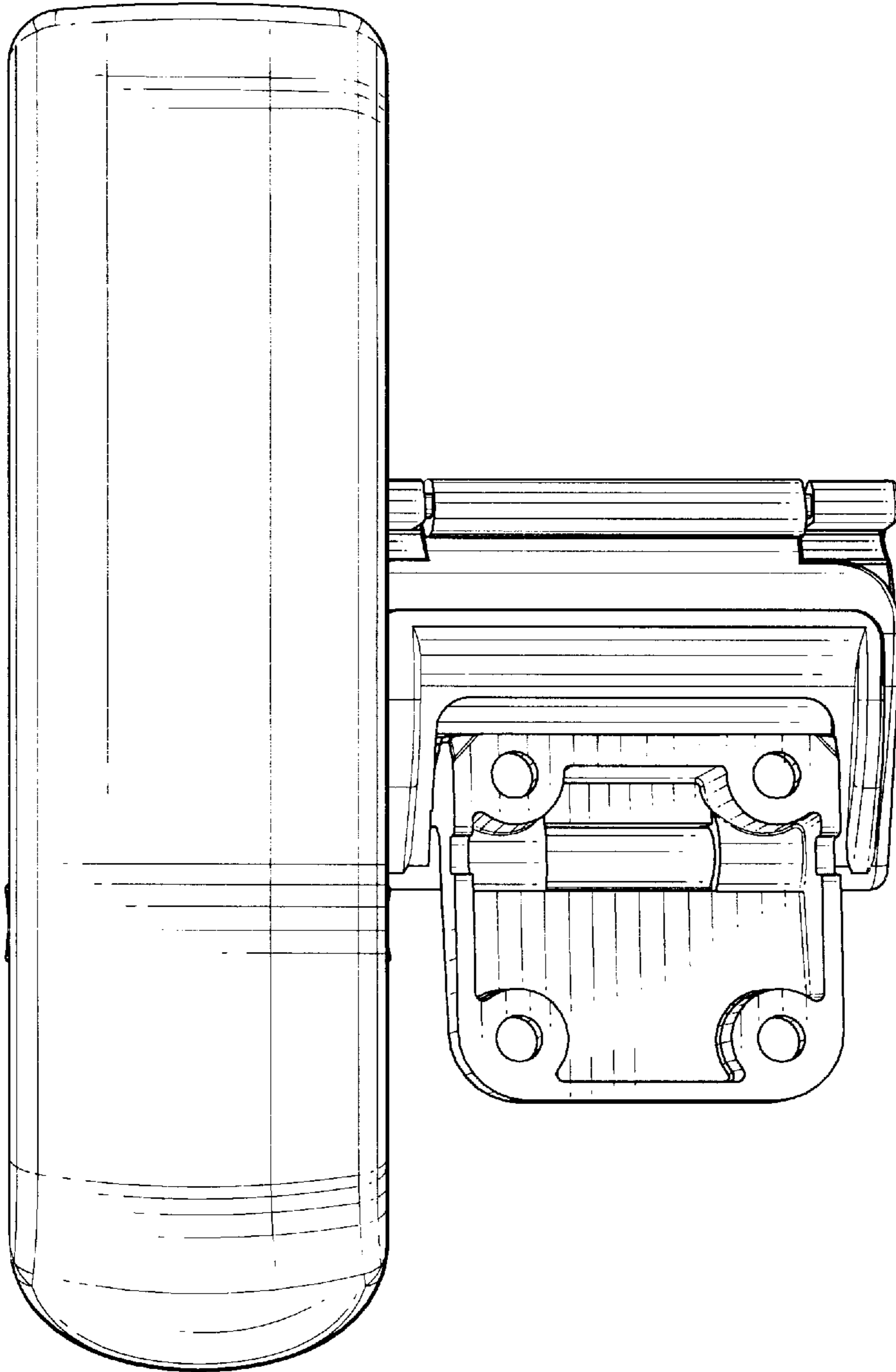


FIG. 3

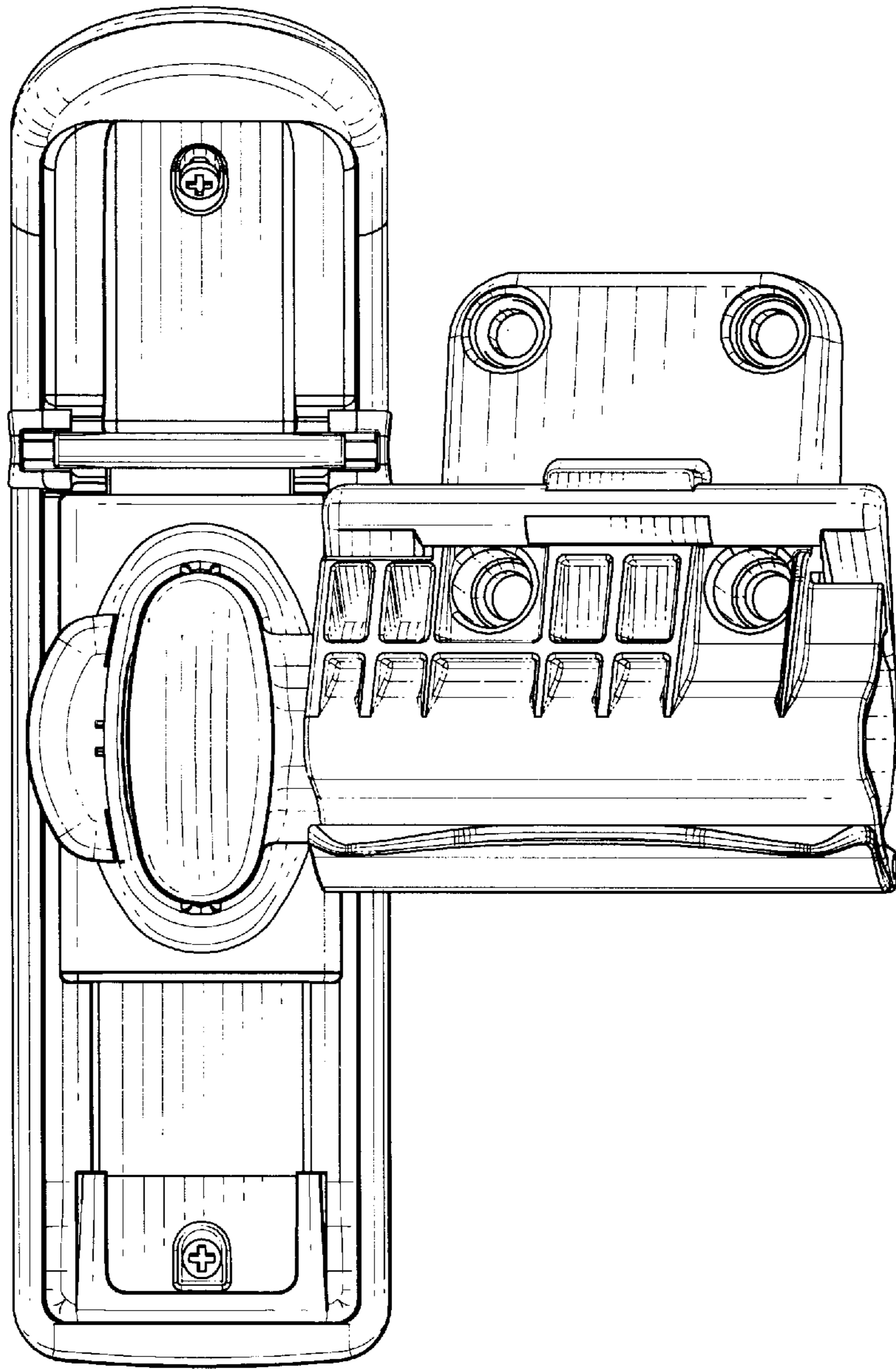


FIG. 4

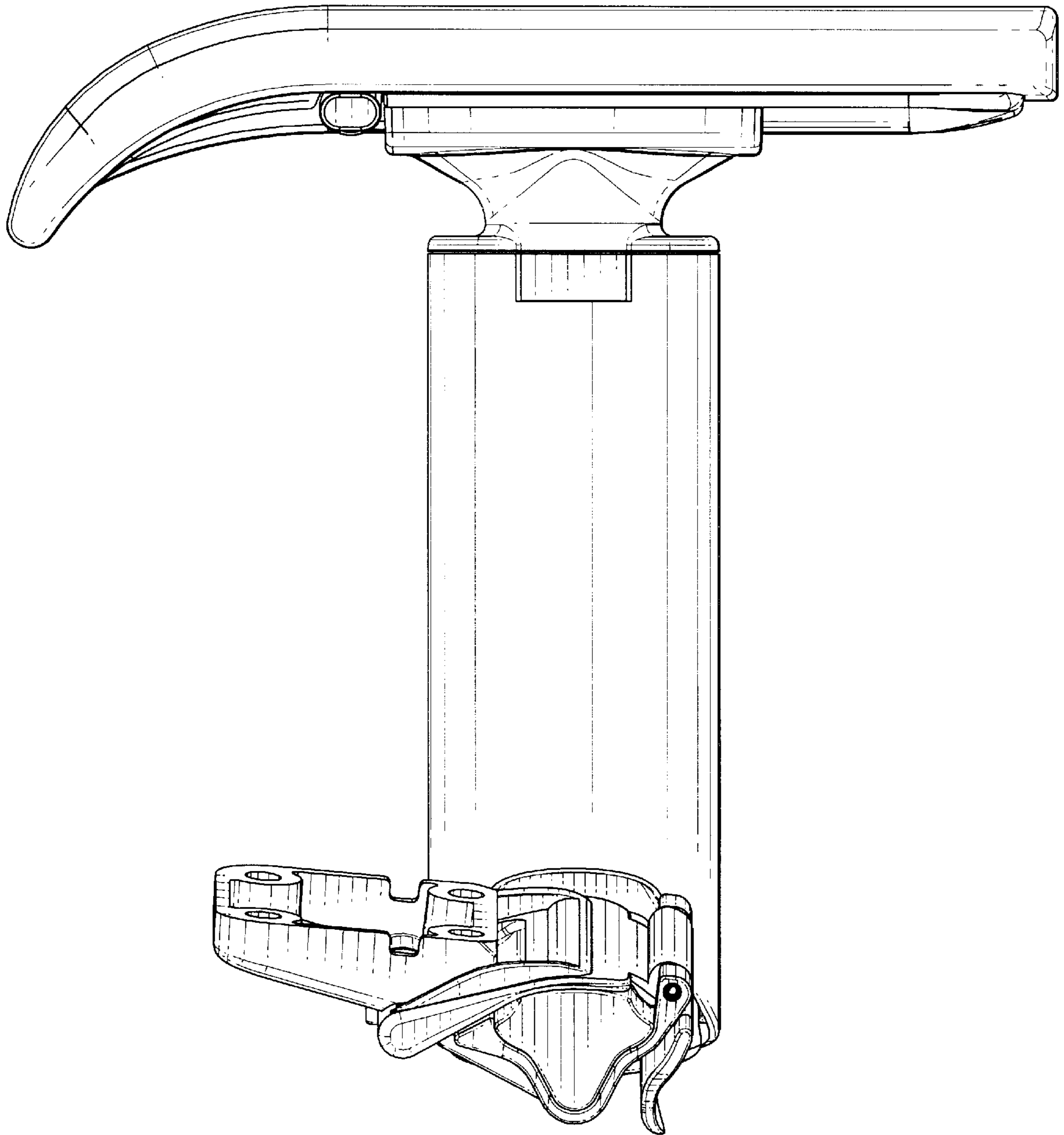


FIG. 5

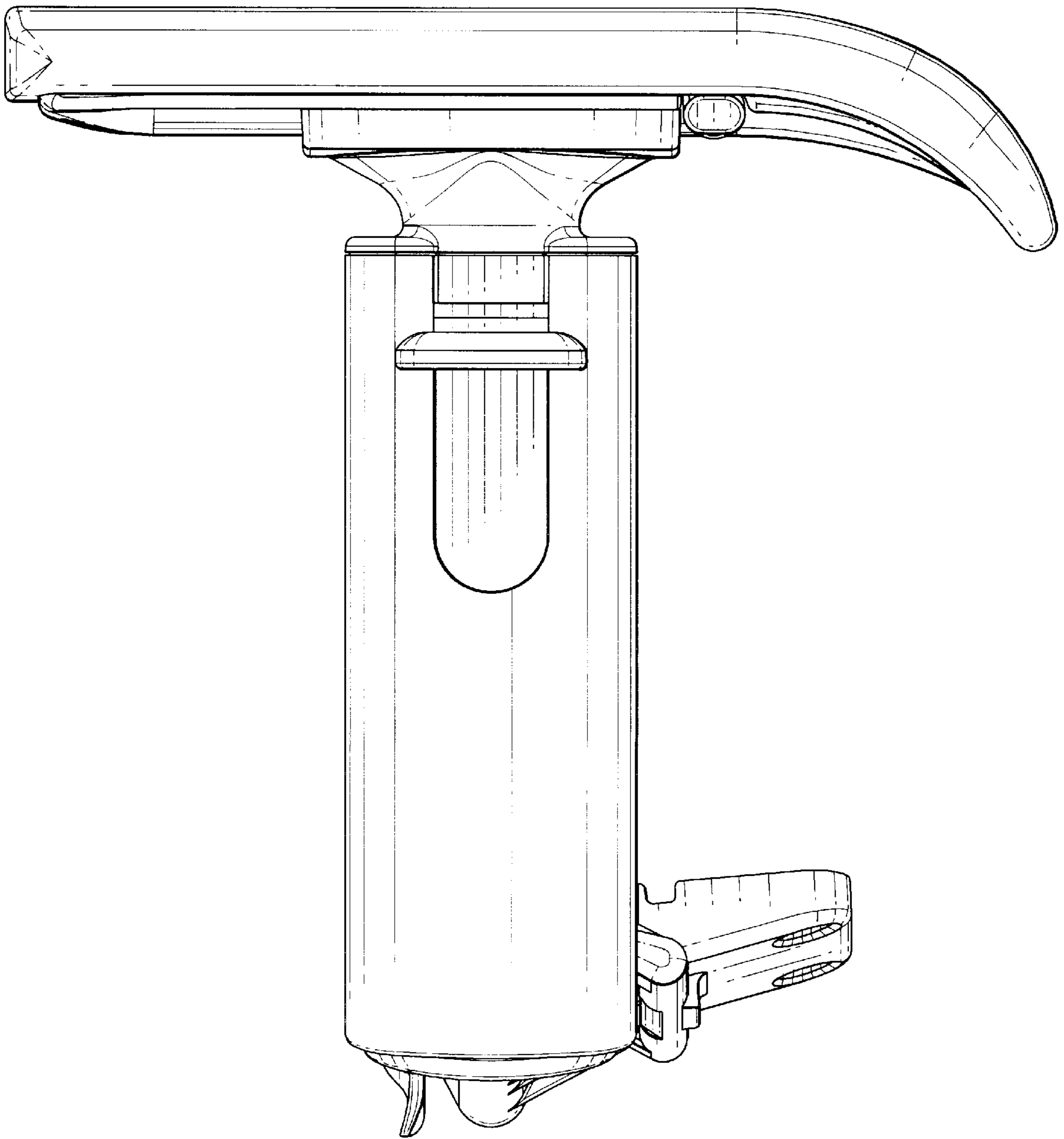


FIG. 6

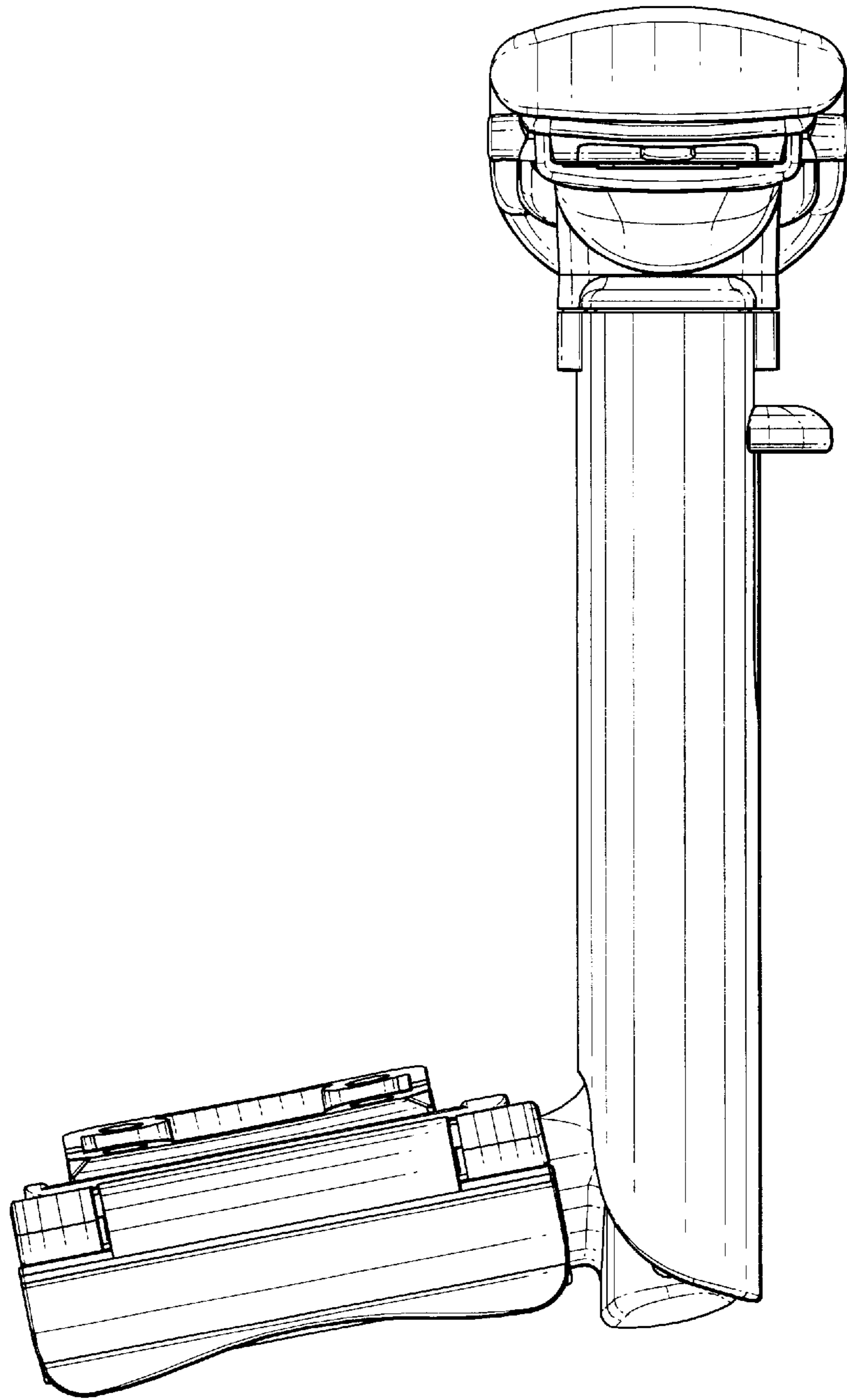


FIG. 7