



US00D398172S

United States Patent [19]
Greaves et al.

[11] **Patent Number: Des. 398,172**

[45] **Date of Patent: **Sep. 15, 1998**

[54] **FOLDABLE SEAT**

[75] Inventors: **Mikal B. Greaves**, Seattle; **Charles K. Lau**, Bellevue; **Mark A. McLean**, Kirkland; **William C. Quan**, Newcastle; **Ferdinand J. Van Engelen**, Redmond; **Michelle J. Pillers**, Kirkland; **Kevin J. Talbot**, Mercer Island, all of Wash.

2,536,157 1/1951 Campanelli .
3,245,717 4/1966 Levy .
4,099,774 7/1978 Sandham .
4,775,187 10/1988 Herr .
4,871,209 10/1989 Handelman .
5,018,788 5/1991 Cedergreen .
5,052,076 10/1991 Spaeth .
5,094,505 3/1992 Nichols .
5,460,426 10/1995 Tribelsky et al. .

[73] Assignee: **Tempress, Inc.**, Seattle, Wash.

[**] Term: **14 Years**

Primary Examiner—Gary D. Watson
Attorney, Agent, or Firm—Christensen O'Connor Johnson & Kindness PLLC

[21] Appl. No.: **60,275**

[57] **CLAIM**

[22] Filed: **Sep. 25, 1996**

The ornamental design for a foldable seat, as shown and described.

[51] **LOC (6) Cl.** **06-06**

[52] **U.S. Cl.** **D6/500; D6/368**

[58] **Field of Search** D6/334, 335, 336,
D6/367, 368, 374, 500, 501, 502; 297/17,
350, 352, 378.1, DIG. 2

DESCRIPTION

FIG. 1 is a front perspective view of the foldable seat; FIG. 2 is a rear perspective view of the foldable seat; FIG. 3 is a front elevation of the foldable seat; FIG. 4 is a rear elevation view of the foldable seat; FIG. 5 is a top plan view of the foldable seat; FIG. 6 is a bottom plan view of the foldable seat; and, FIG. 7 is a left side view of the foldable seat, the right side being a mirror image thereof.

[56] **References Cited**

U.S. PATENT DOCUMENTS

D. 183,233	7/1958	Akrens	D6/368
D. 303,878	10/1989	Goldsmith	D6/368
D. 337,445	7/1993	Sando	D6/368
D. 355,779	2/1995	Tribelsky	D6/368

1 Claim, 4 Drawing Sheets

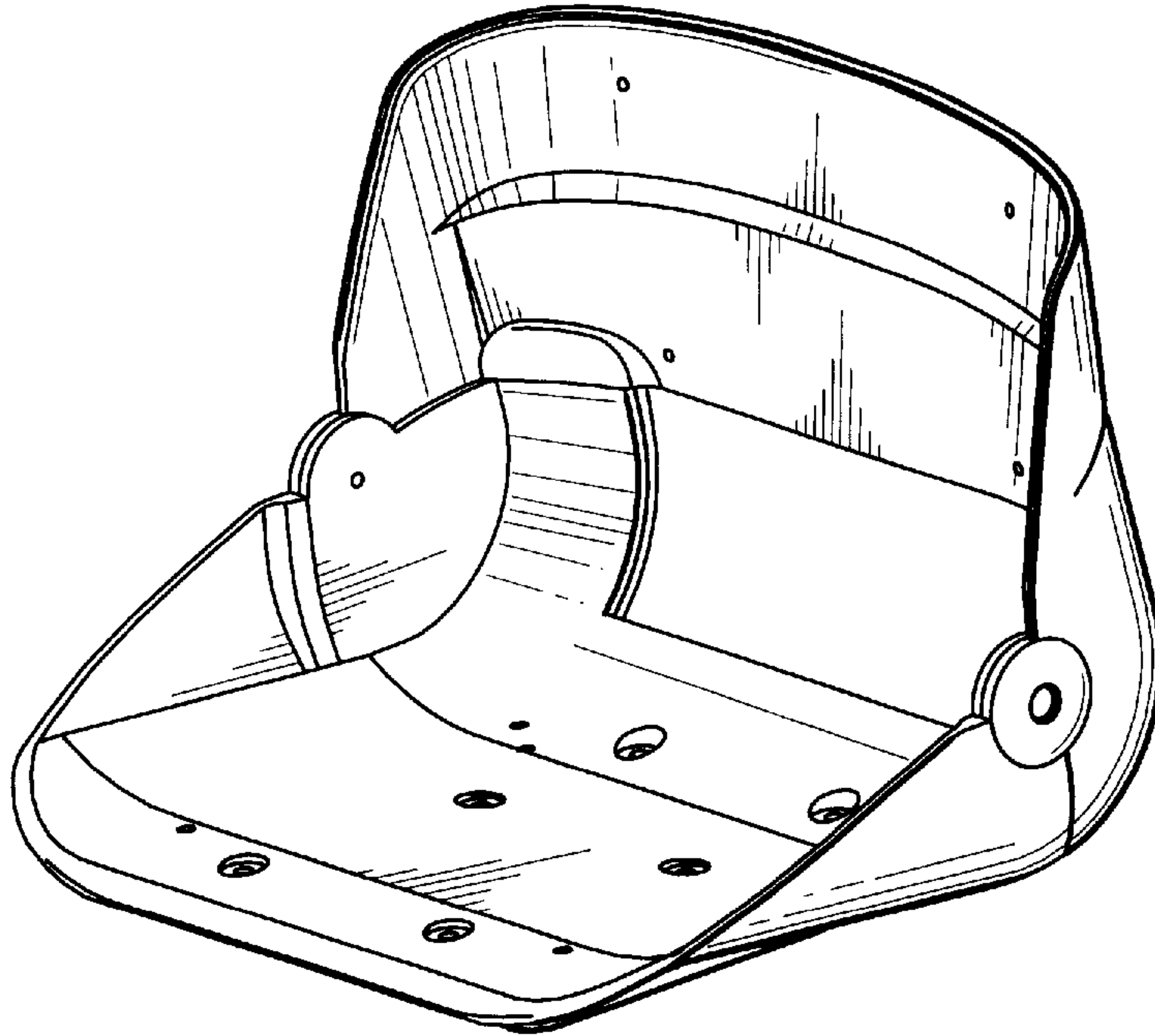


Fig. 1

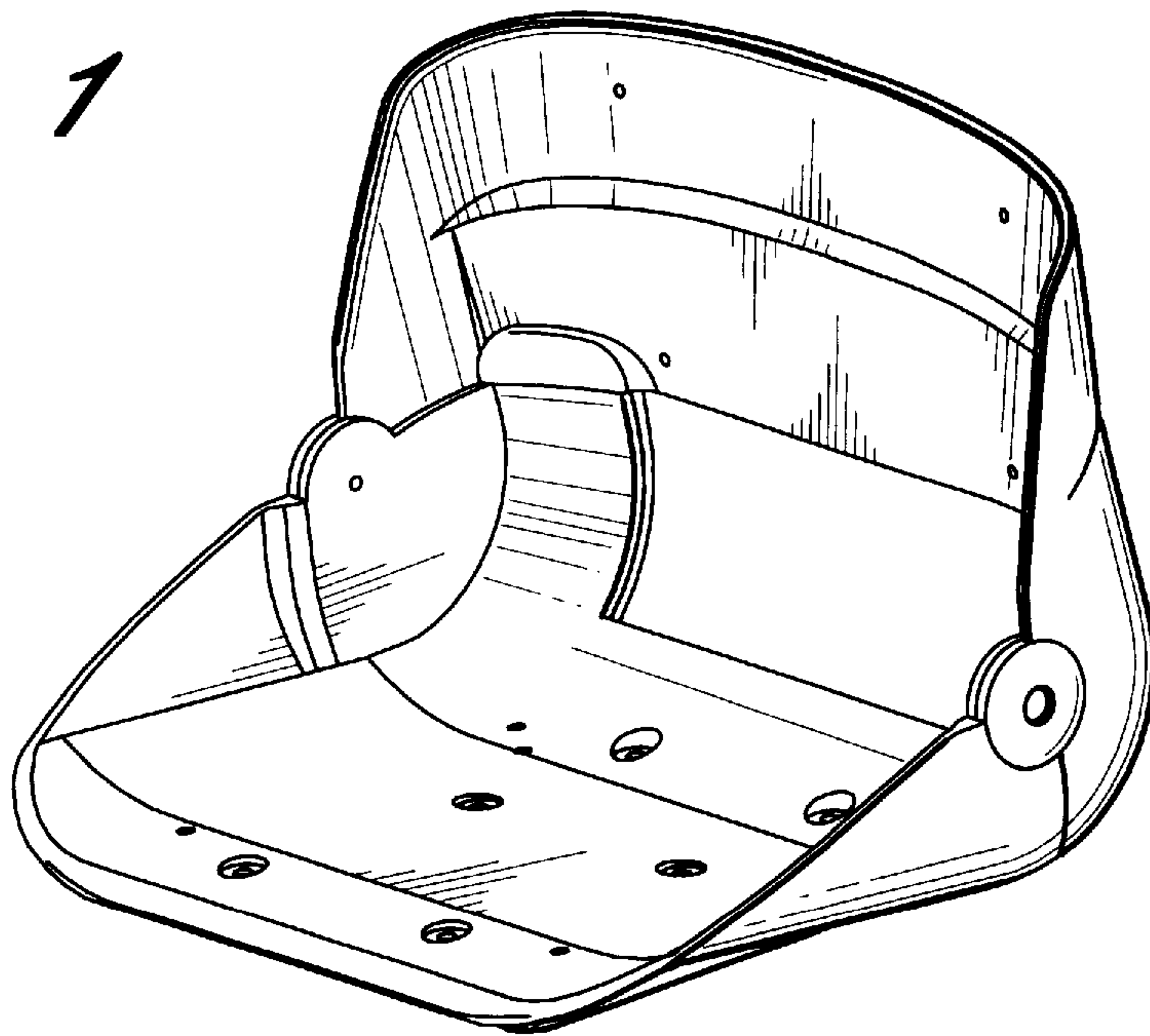
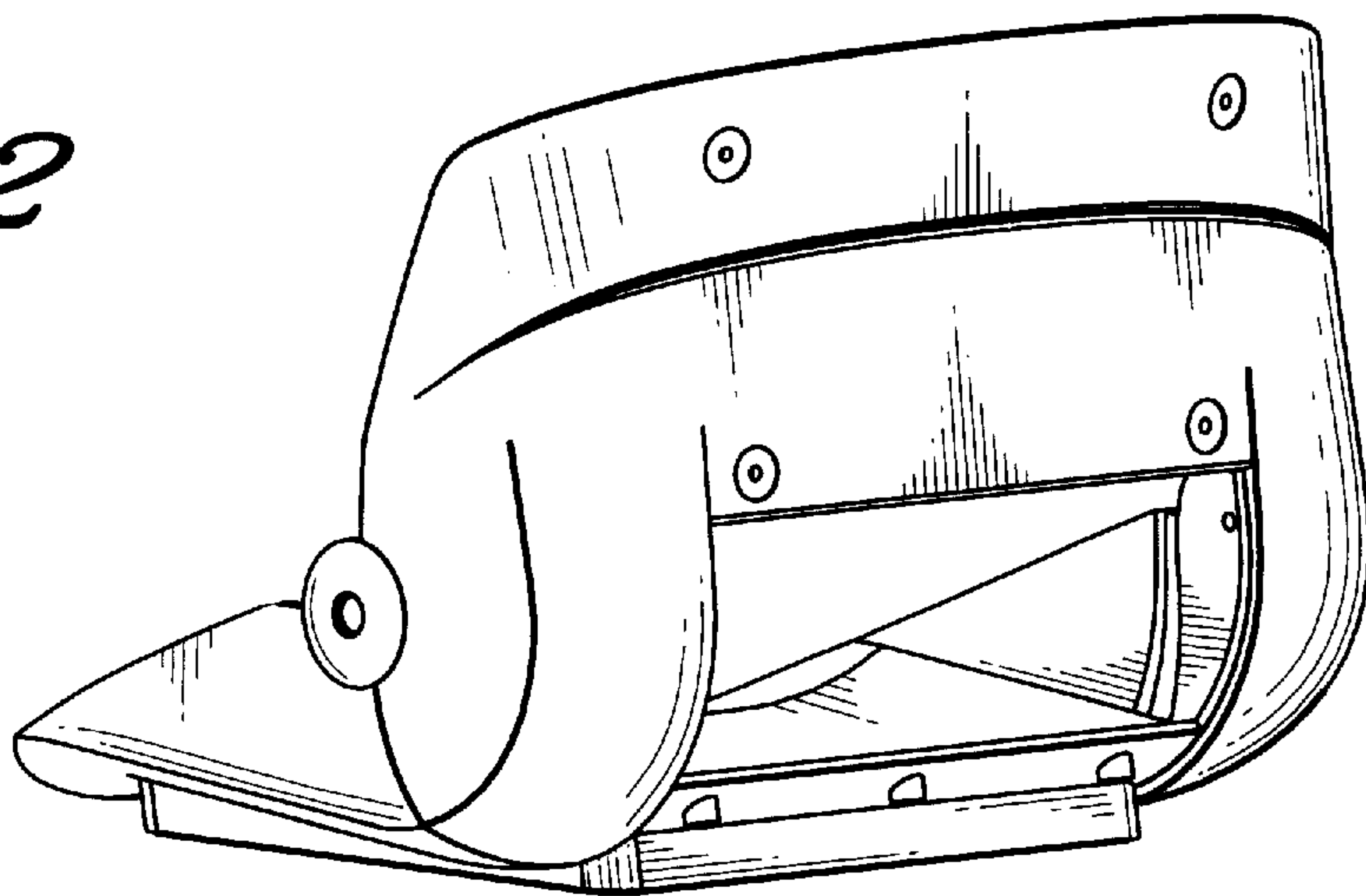


Fig. 2



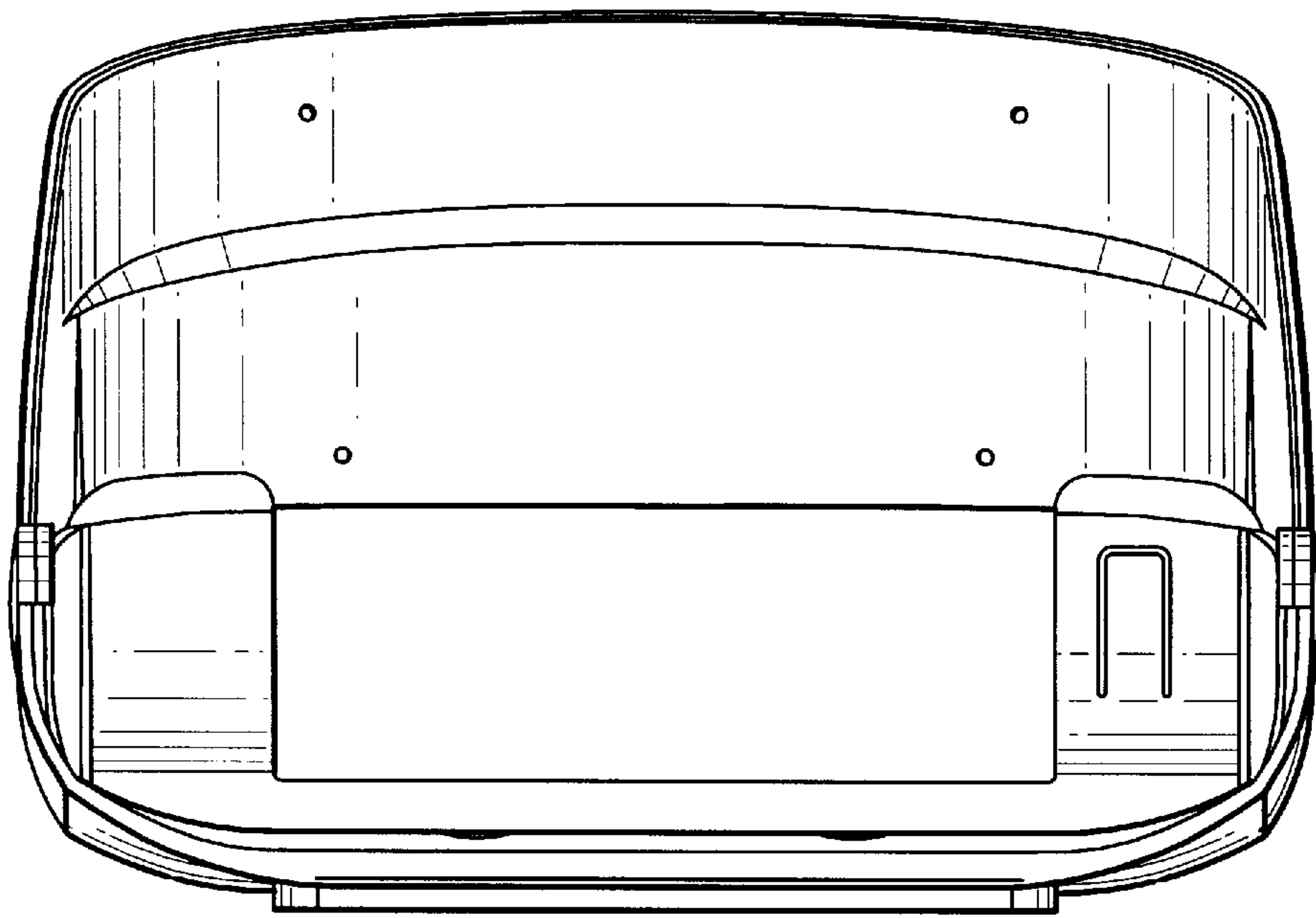


Fig. 3

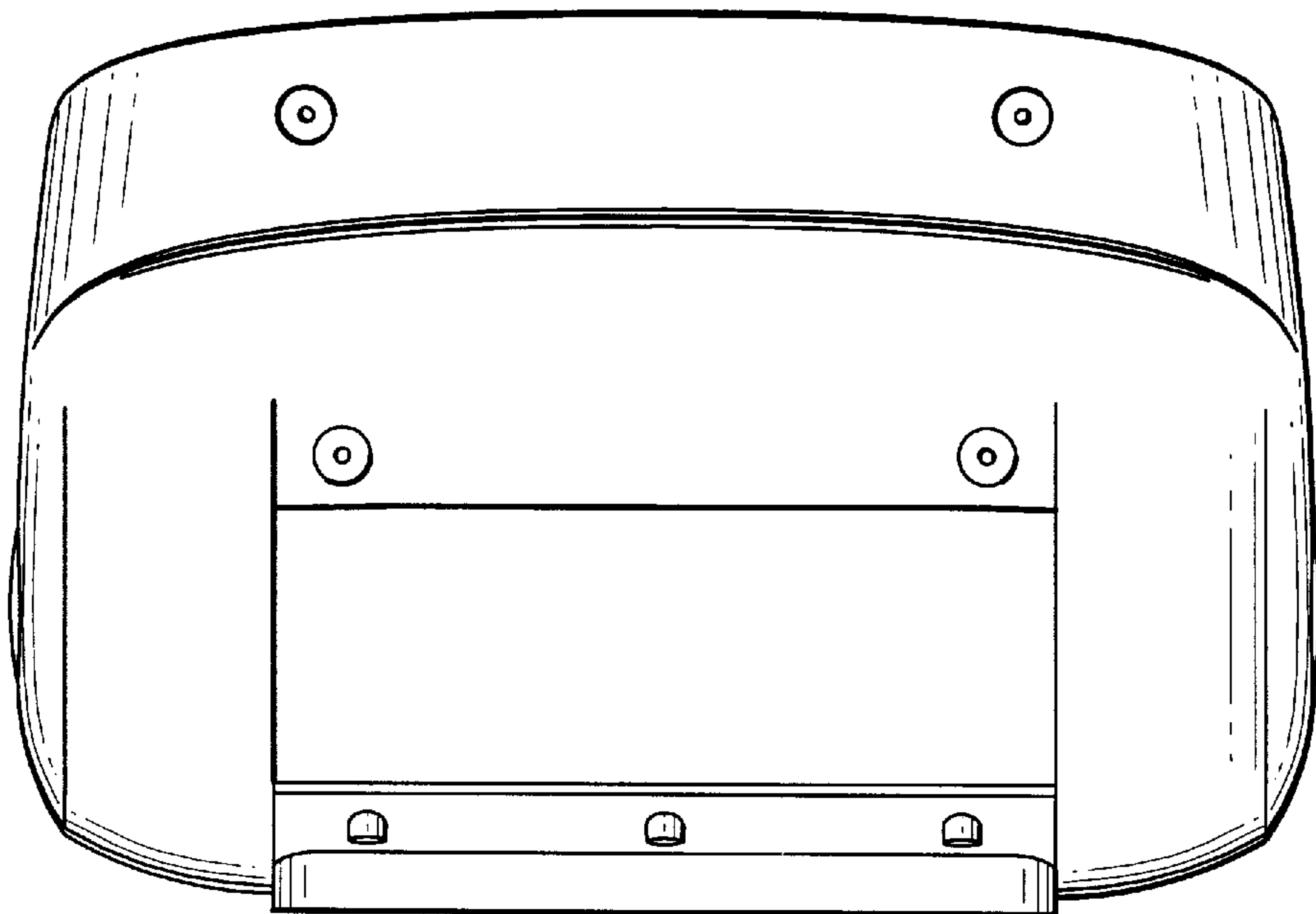


Fig. 4

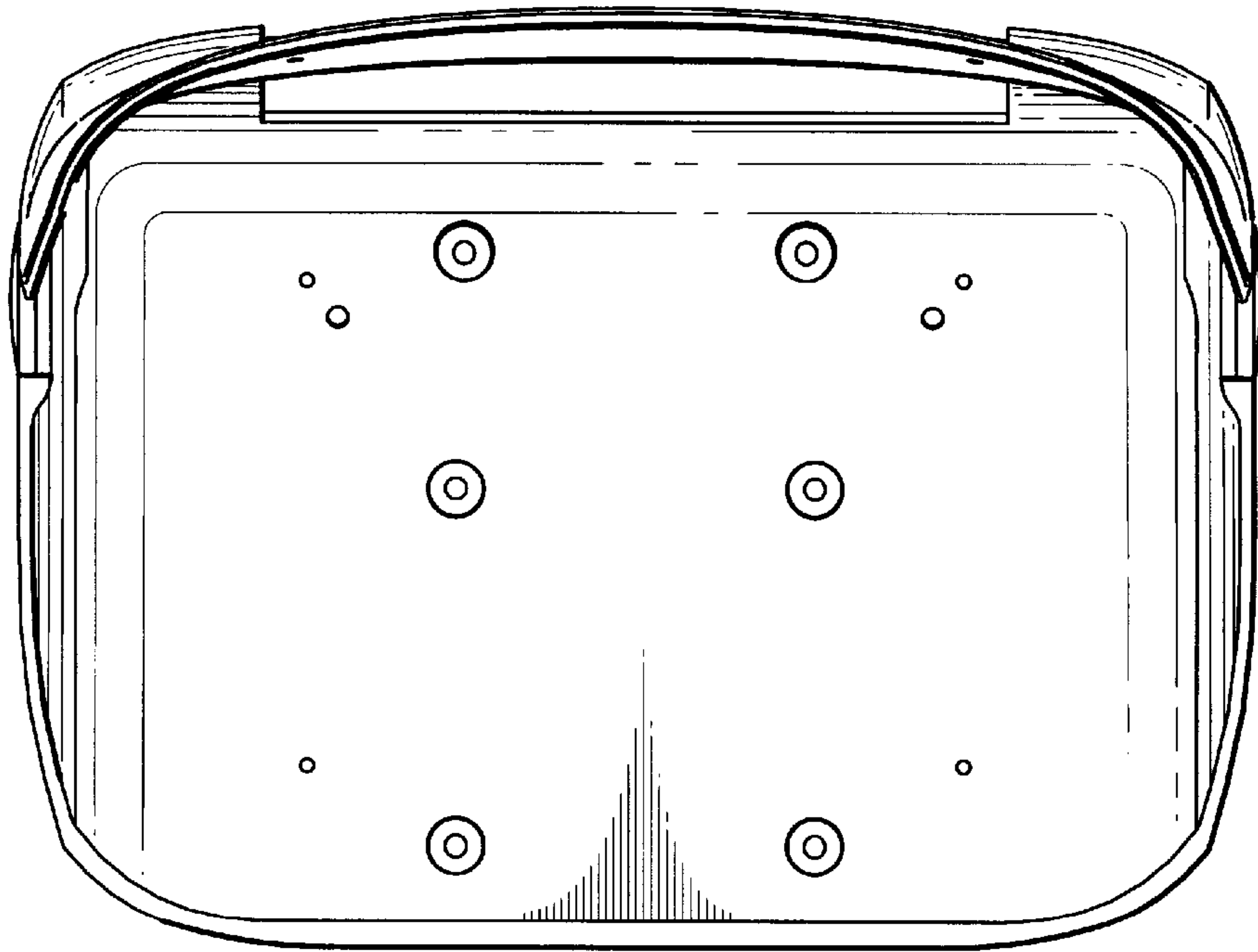


Fig. 5

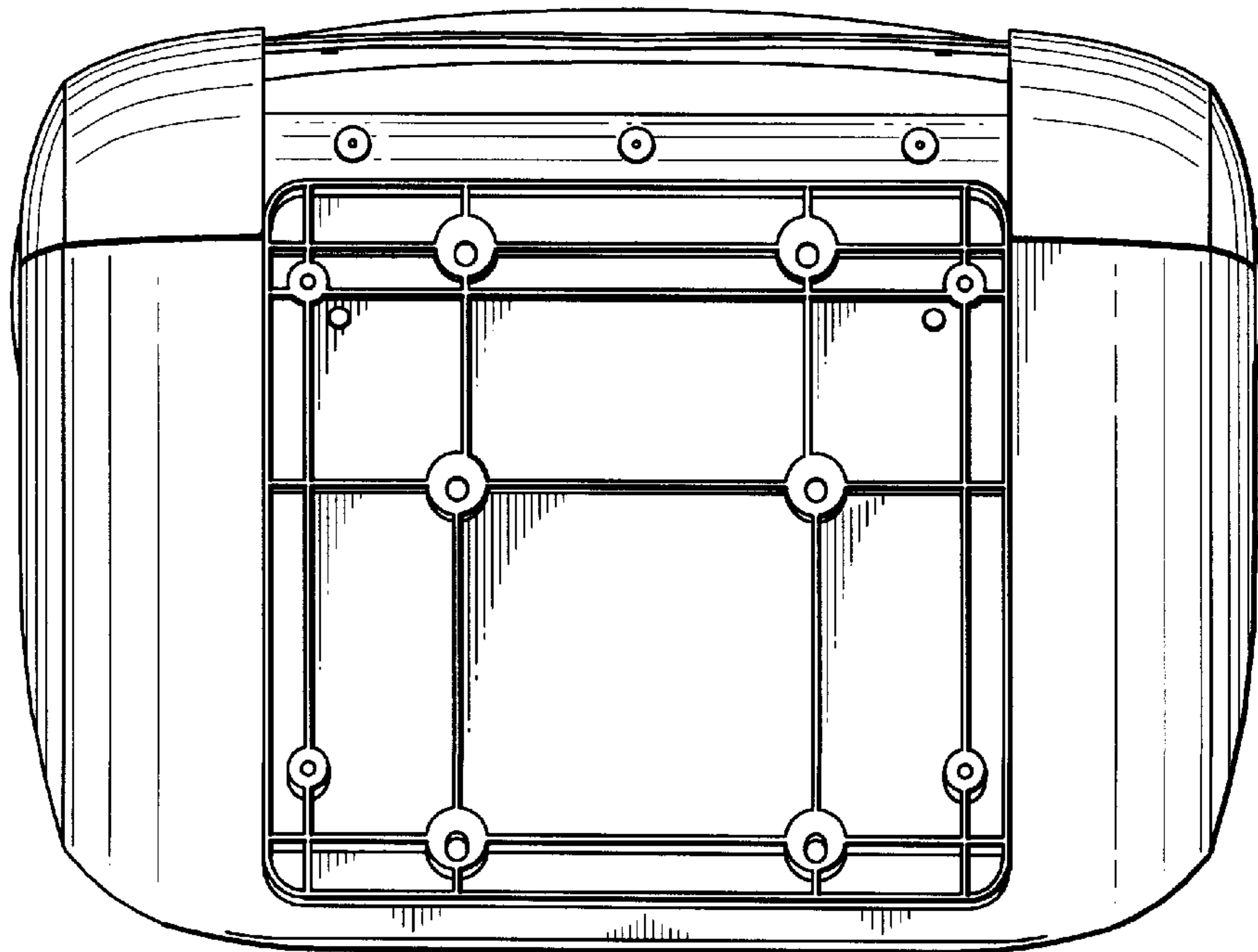


Fig. 6

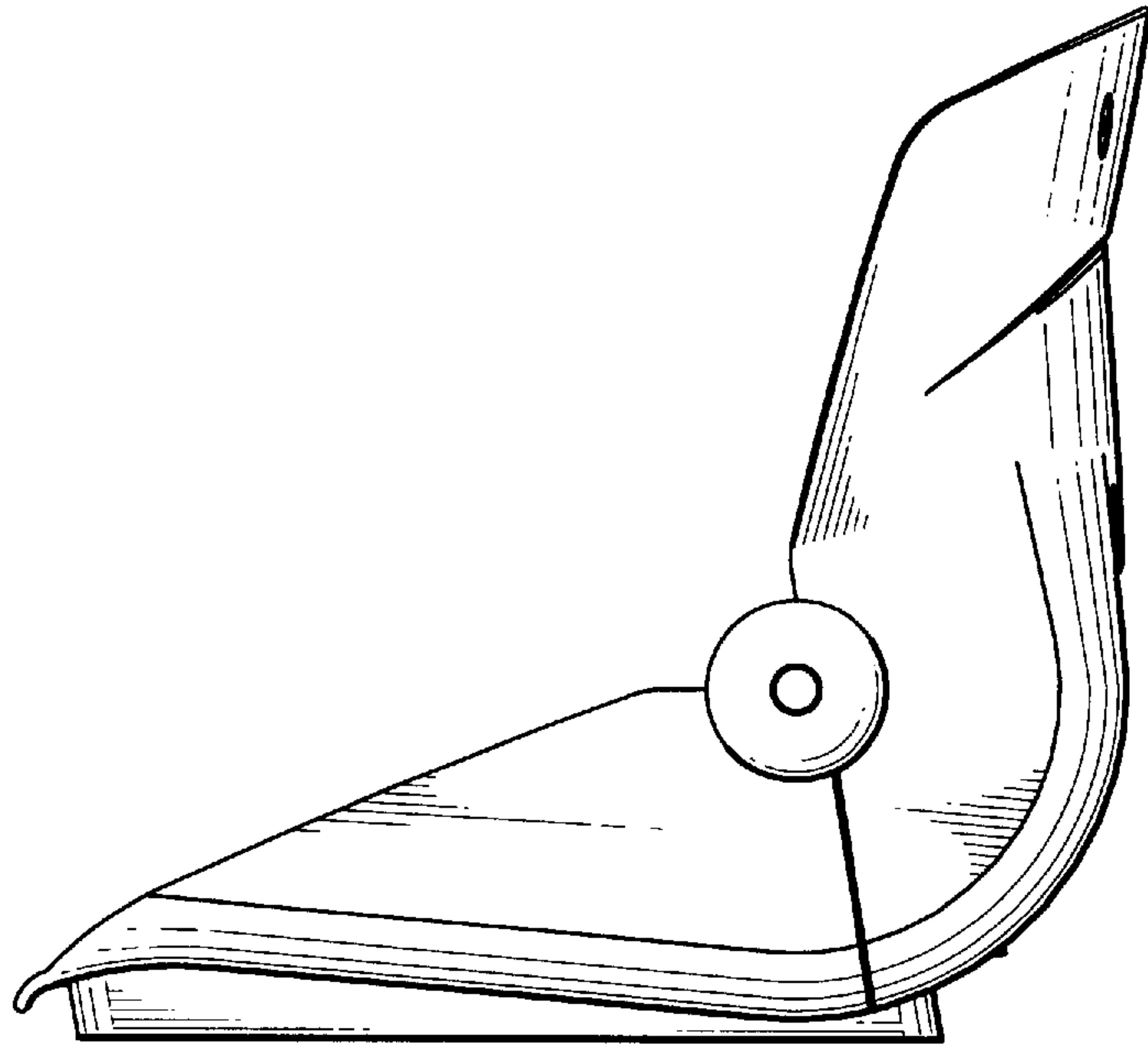


Fig. 7