



US00D398166S

United States Patent [19]
Mitchell

[11] **Patent Number: Des. 398,166**

[45] **Date of Patent: **Sep. 15, 1998**

[54] **DESK**

[75] **Inventor: John Mitchell, London, England**

[73] **Assignee: Specialised Banking Furniture (international) Limited, East Sussex, England**

[**] **Term: 14 Years**

[21] **Appl. No.: 67,330**

[22] **Filed: Feb. 28, 1997**

[30] **Foreign Application Priority Data**

Sep. 6, 1996 [GB] United Kingdom 2059131

[51] **LOC (6) Cl. 06-04**

[52] **U.S. Cl. D6/399; D6/426**

[58] **Field of Search D6/422-428, 399, D6/480-484, 474; 312/194-196; 108/59, 60**

[56] **References Cited**

U.S. PATENT DOCUMENTS

D. 208,709 9/1967 Barecki D6/422 X

D. 212,541	10/1968	Taylor	D6/399
D. 215,162	9/1969	Robichaud	D6/399
D. 242,317	11/1976	Hofmann	D6/399
D. 268,312	3/1983	Rompotti	D6/399
D. 299,463	1/1989	Scott	D6/399
D. 306,101	2/1990	Borsani	D6/399
D. 317,089	5/1991	Coleman et al.	D6/422
D. 372,811	8/1996	Muller-Deisig et al.	D6/399

Primary Examiner—Carmen H. Vales-Lado
Attorney, Agent, or Firm—Hardaway Law Firm, PA

[57] **CLAIM**

The ornamental design for a desk, as shown and described.

DESCRIPTION

FIG. 1 is a top, front and left side perspective view of a desk showing my new design;

FIG. 2 is a right side elevational view thereof;

FIG. 3 is a top plan view thereof;

FIG. 4 is a bottom plan view thereof; and,

FIG. 5 is a rear elevational view thereof.

1 Claim, 3 Drawing Sheets

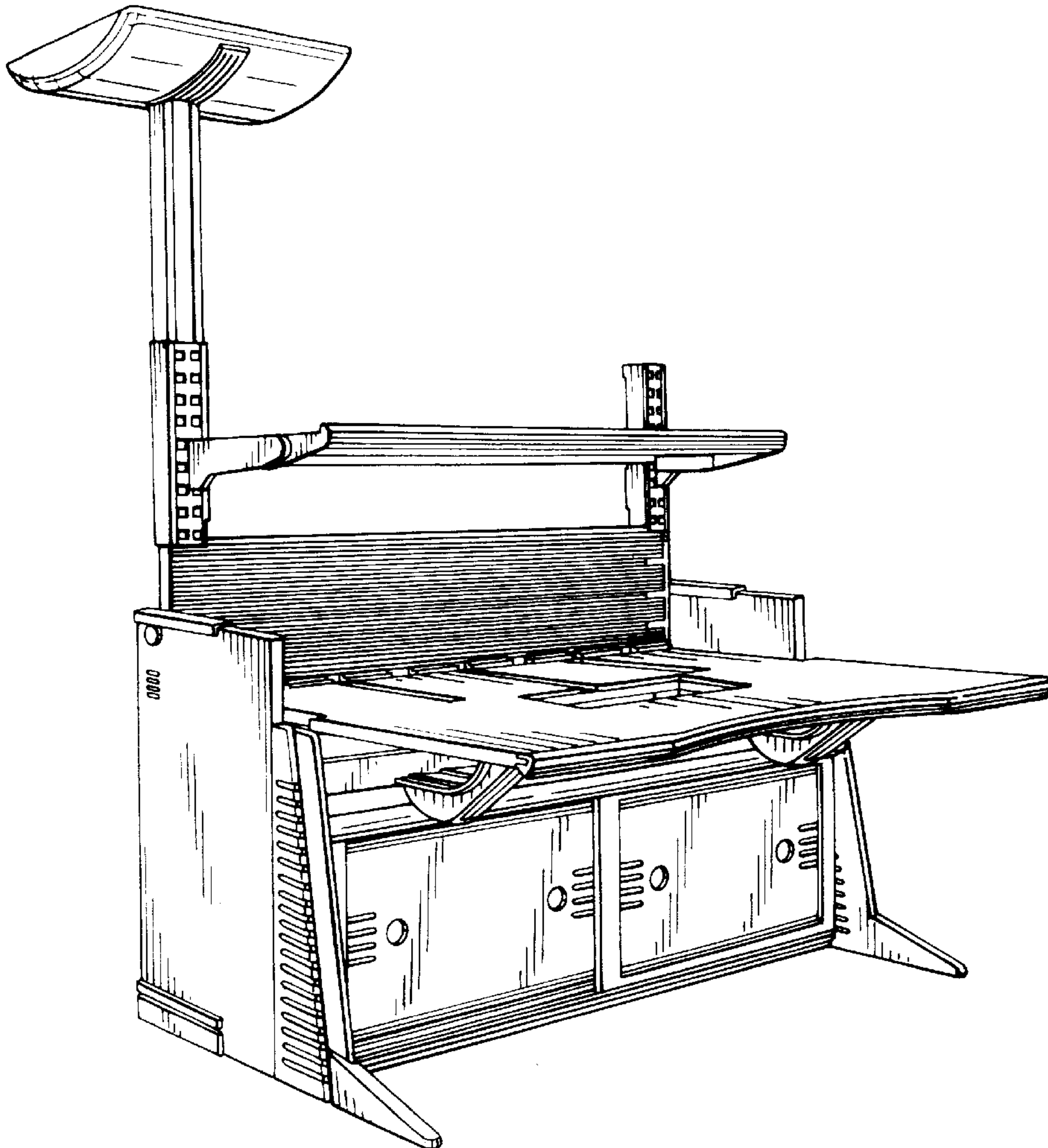


FIG.1.

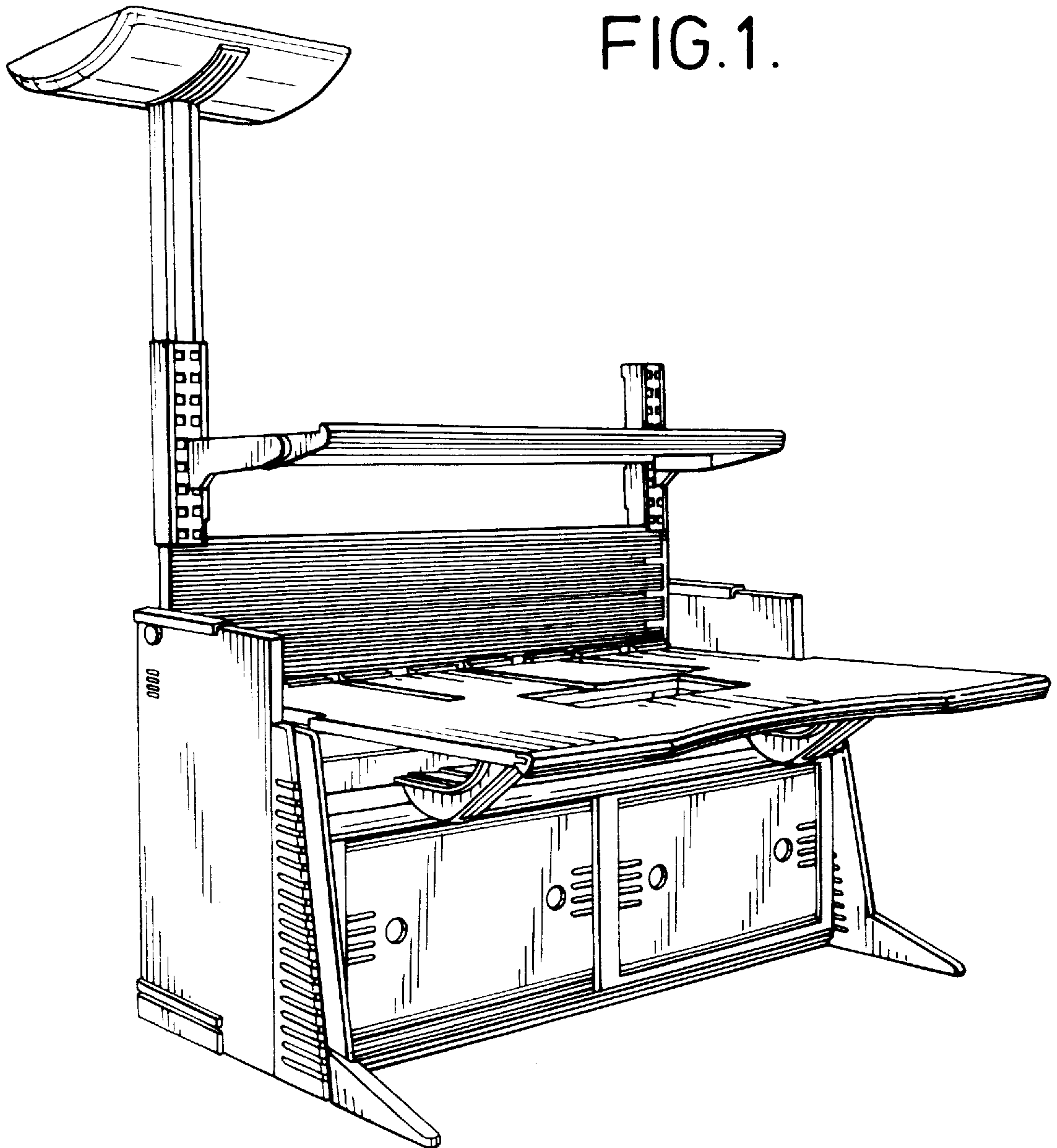


FIG. 2.

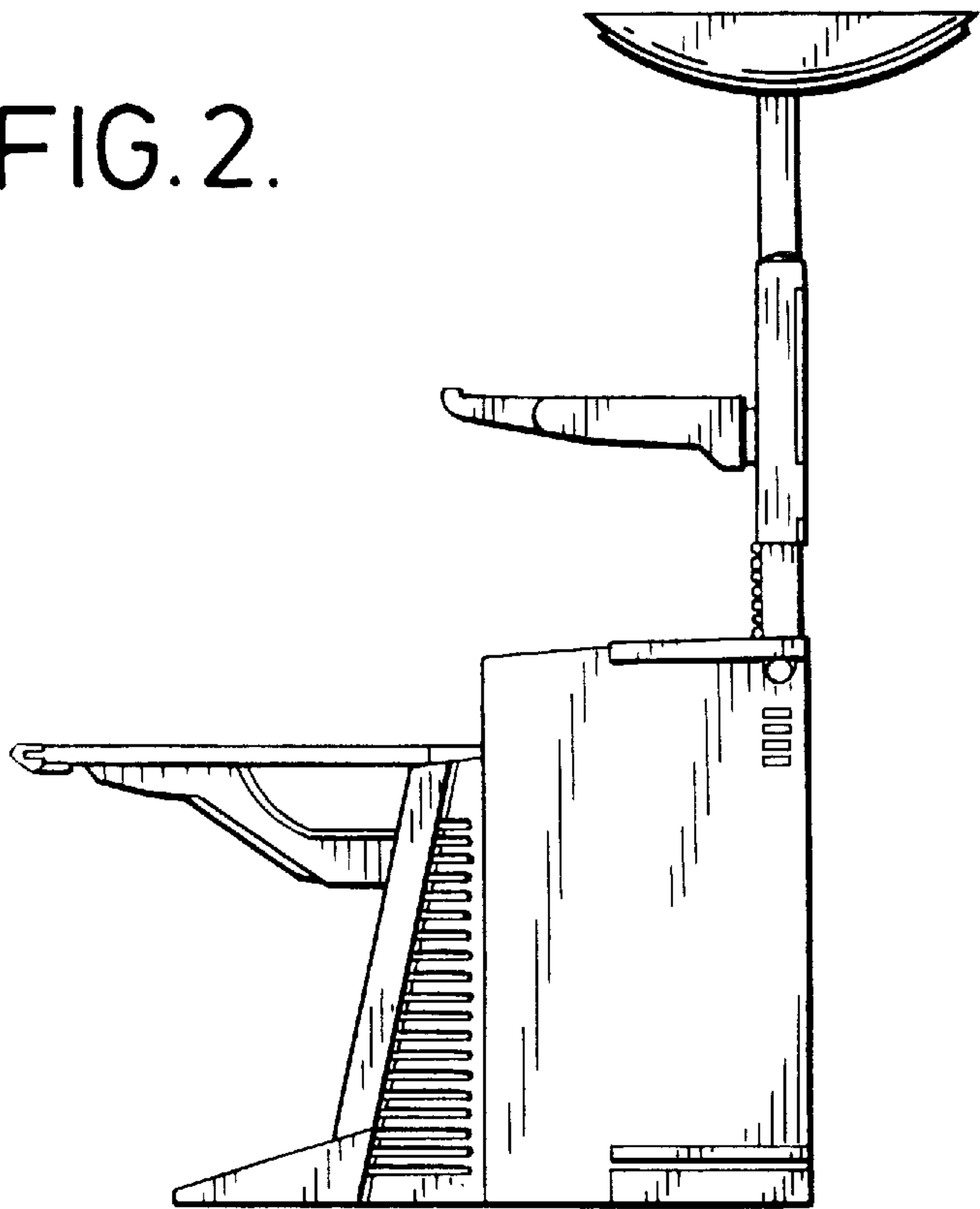


FIG. 3.

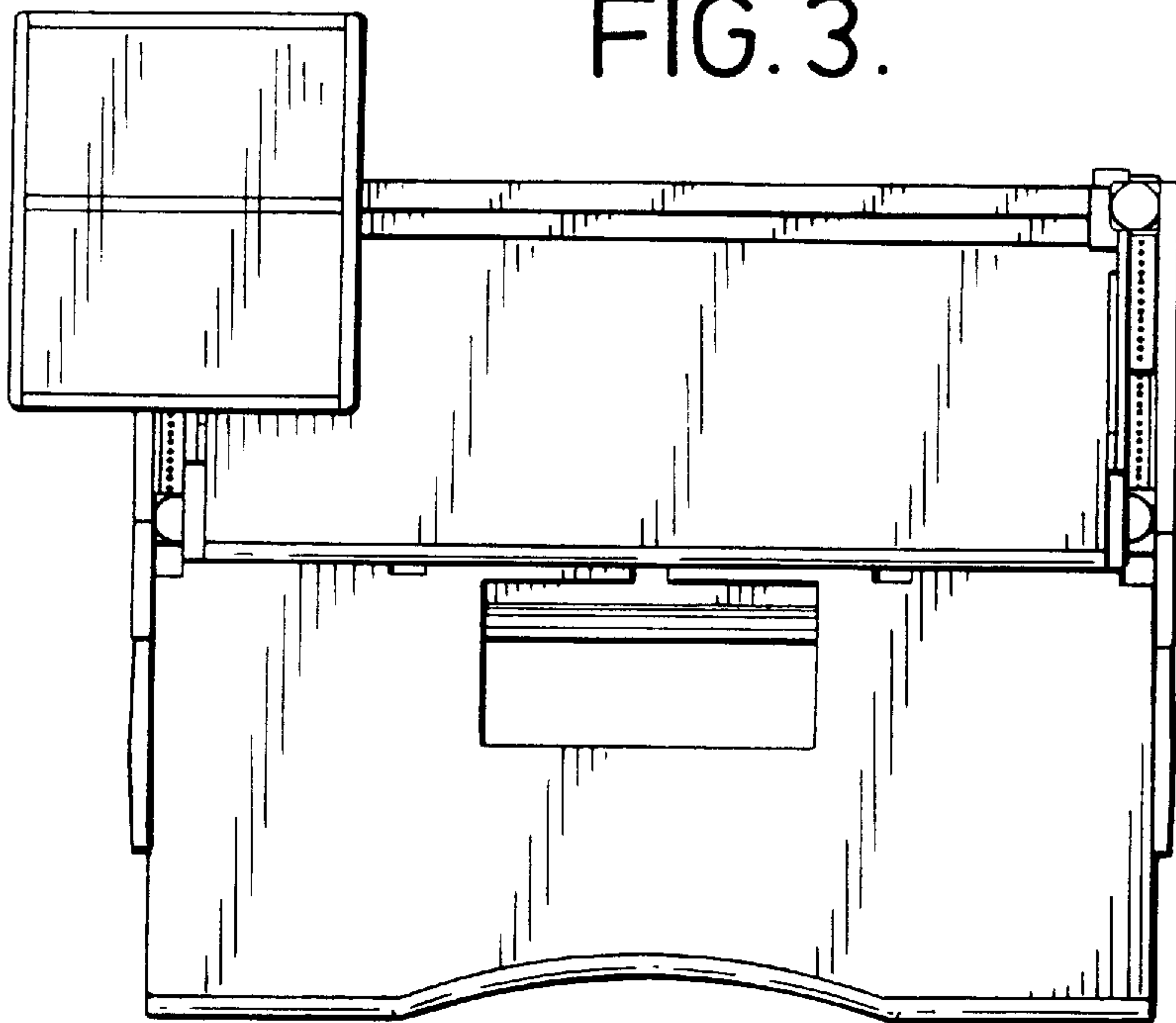


FIG.4.

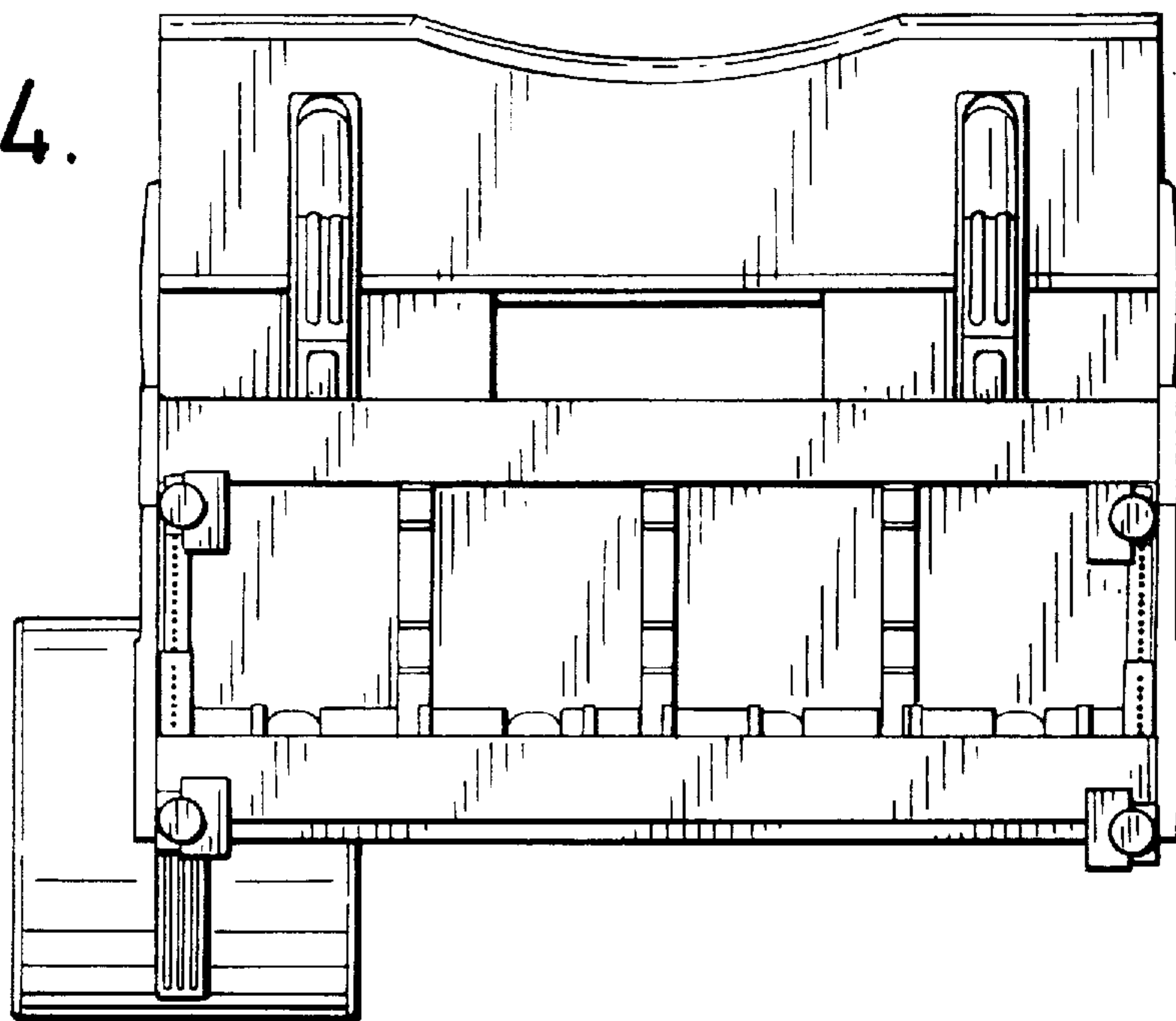


FIG.5.

