



US00D398163S

United States Patent [19]

Desanta

[11] **Patent Number: Des. 398,163**

[45] **Date of Patent: **Sep. 15, 1998**

[54] **CHAIR**

[75] Inventor: **Simon Desanta**, Borgholzhausen, Germany

[73] Assignee: **Peter Roeder**, Frankfurt, Germany

[**] Term: **14 Years**

[21] Appl. No.: **56,157**

[22] Filed: **Jun. 20, 1996**

[30] Foreign Application Priority Data

Dec. 20, 1995 [DE] Germany M 95 09 920.4

[51] **LOC (6) Cl.** **06-01**

[52] **U.S. Cl.** **D6/366**

[58] **Field of Search** D6/334, 364, 365, D6/366, 367, 379, 500, 501, 502; 297/411.2, 411.27

[56] References Cited

U.S. PATENT DOCUMENTS

D. 185,849	8/1959	Christenson et al.	D6/366
D. 185,851	8/1959	Christenson et al.	D6/366
D. 236,173	8/1975	Ruf	D6/366
D. 275,053	8/1984	Stephens	D6/366
D. 289,236	4/1987	Bräuning	D6/366
D. 330,808	11/1992	Citterio	D6/366

Primary Examiner—Gary D. Watson
Attorney, Agent, or Firm—Spencer & Frank

[57] CLAIM

The ornamental design for a chair, as shown.

DESCRIPTION

FIG. 1 is an elevation view showing the left side of a first embodiment of a chair according to my design; FIG. 2 is an elevation view showing the right side of the chair according to the first embodiment; FIG. 3 is an elevation view showing the front of the chair according to the first embodiment; FIG. 4 is an elevation view showing the rear of the chair according to the first embodiment; FIG. 5 is a top plan view of the chair according to the first embodiment; FIG. 6 is an elevation view showing the left side of a second embodiment of a chair according to my design; FIG. 7 is an elevation view showing the right side of the chair according to the second embodiment; FIG. 8 is an elevation view showing the front of the chair according to the second embodiment; FIG. 9 is an elevation view showing the rear of the chair according to the second embodiment; and, FIG. 10 is a top plan view of the chair according to the second embodiment.

1 Claim, 10 Drawing Sheets

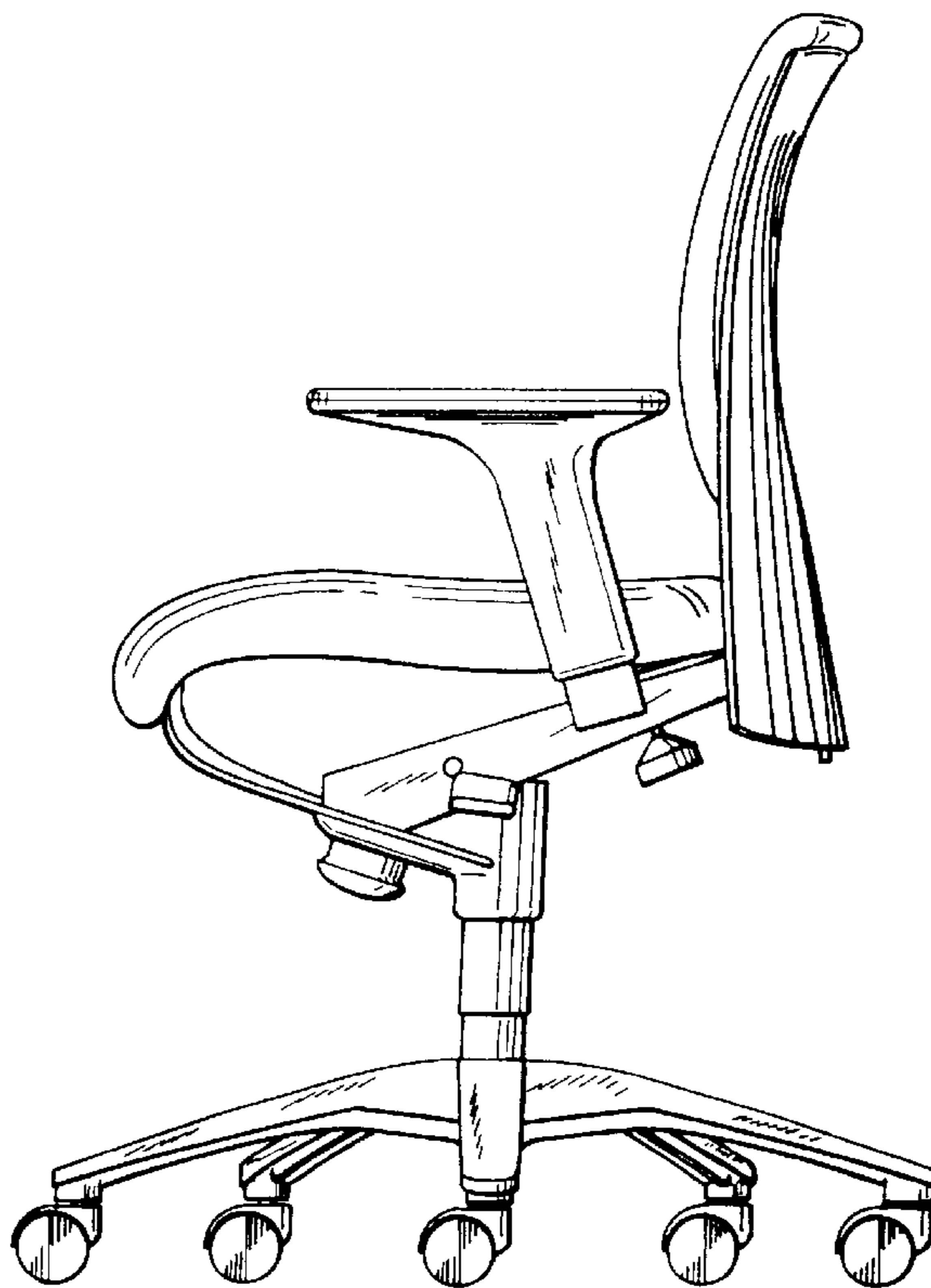
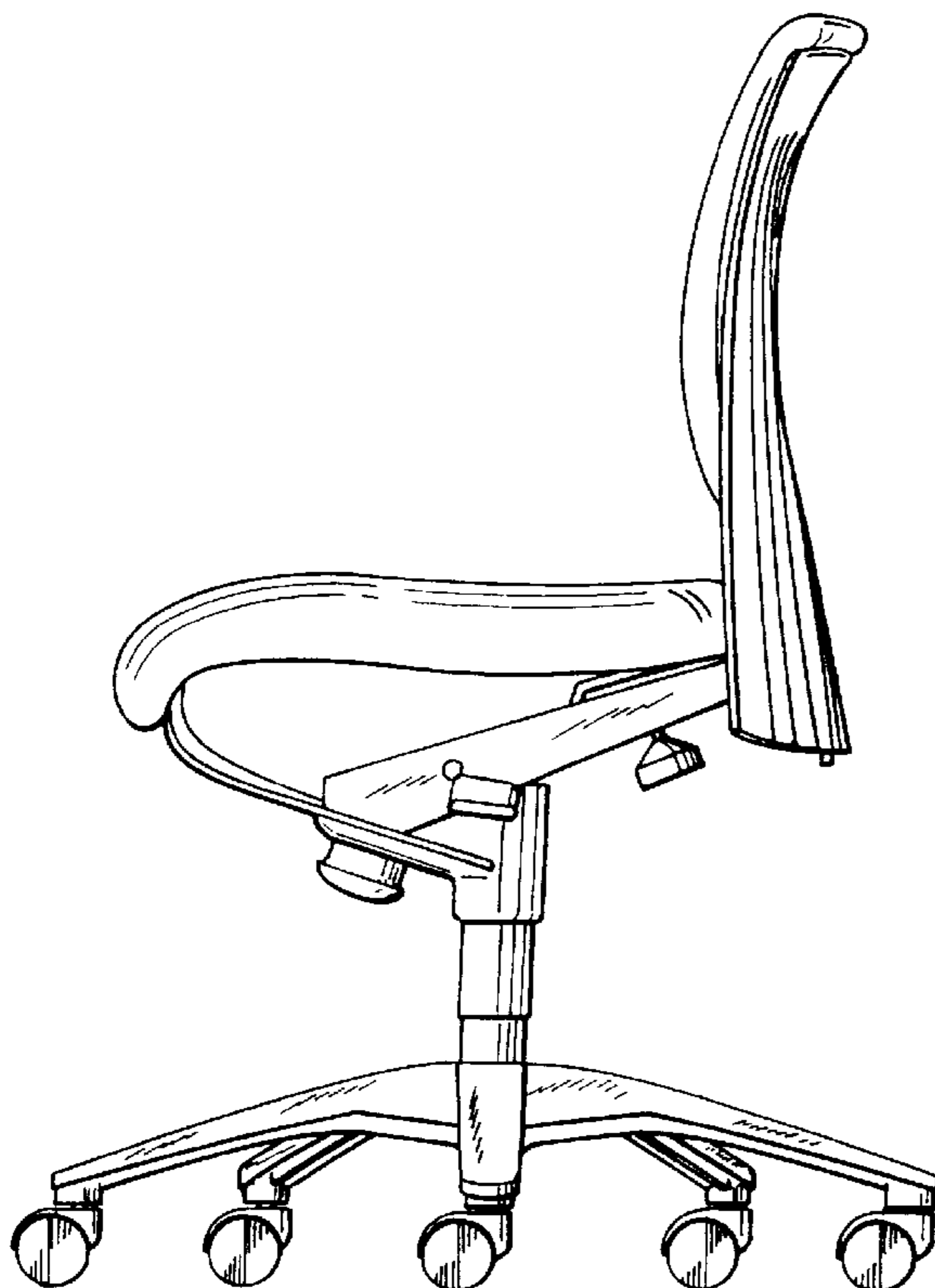




FIGURE 1

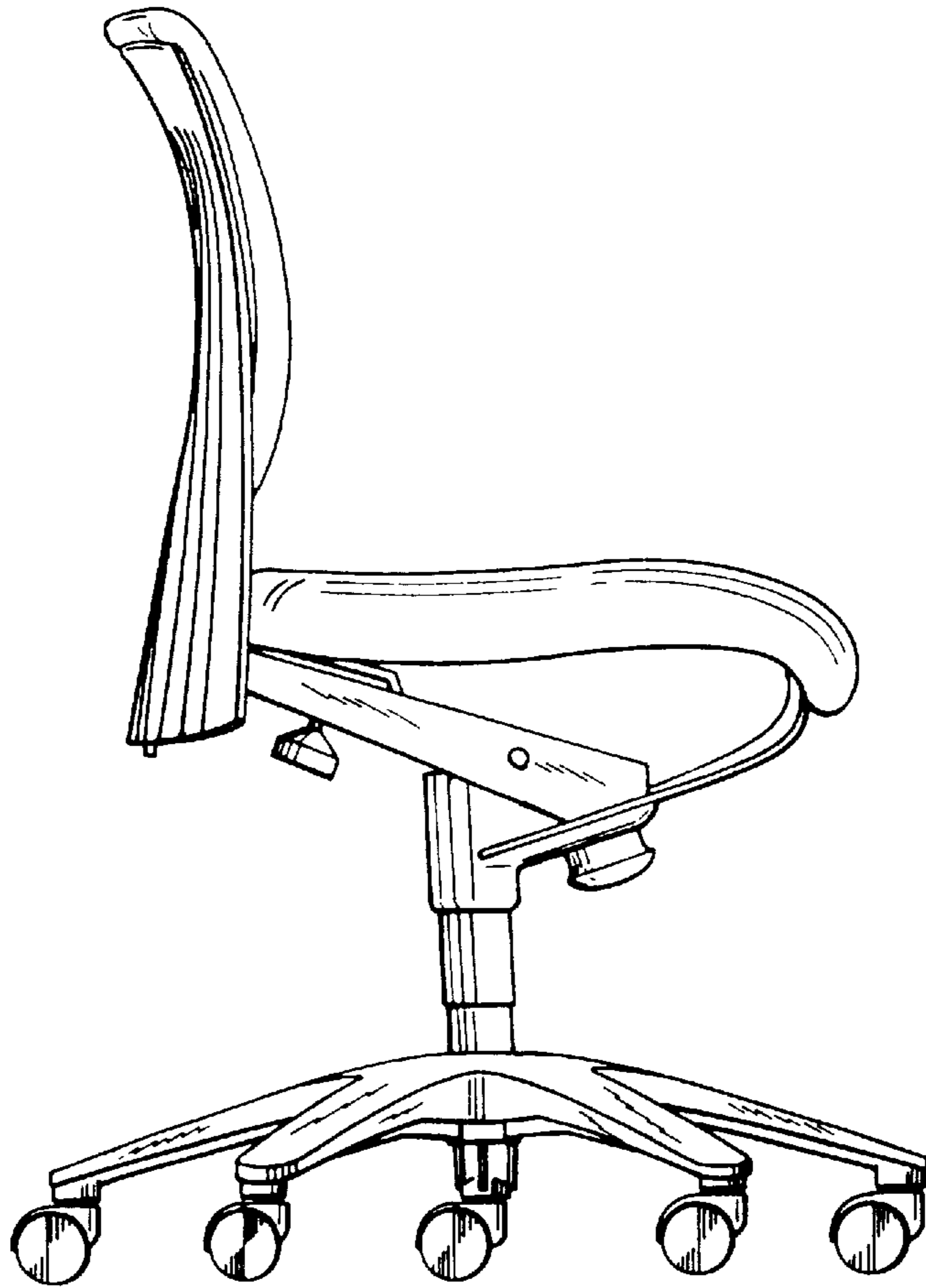


FIGURE 2

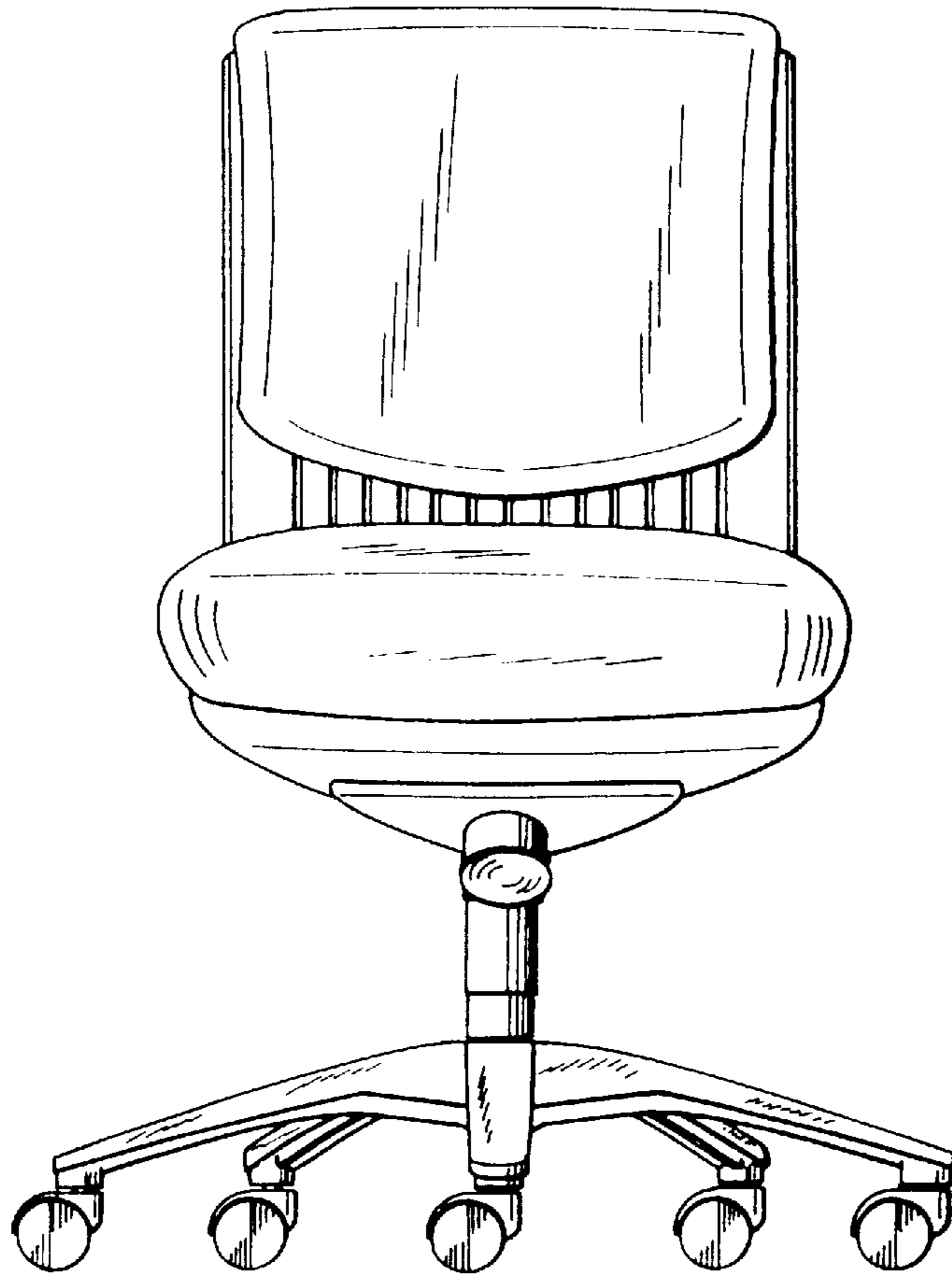


FIGURE 3

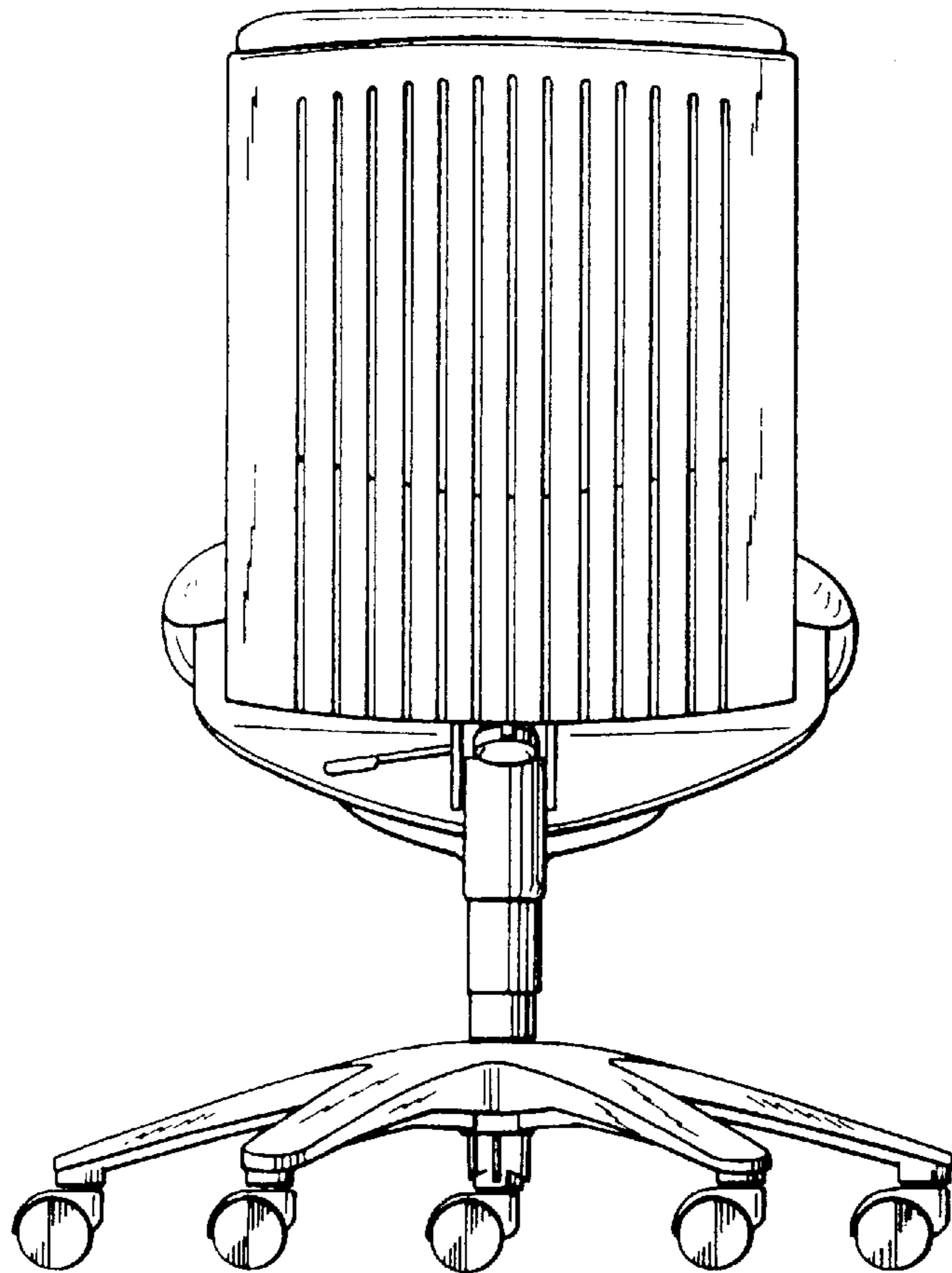


FIGURE 4

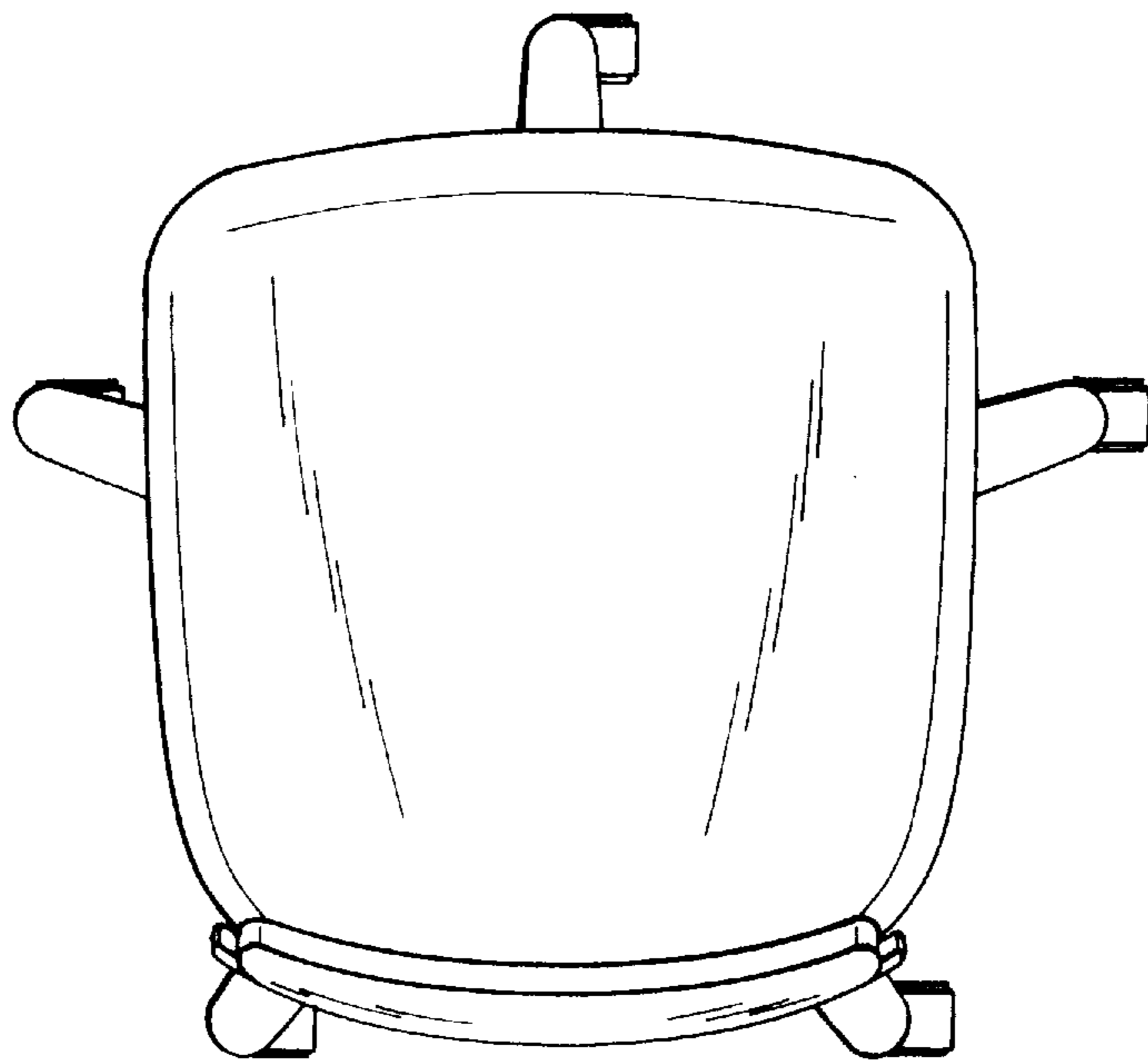


FIGURE 5



FIGURE 6

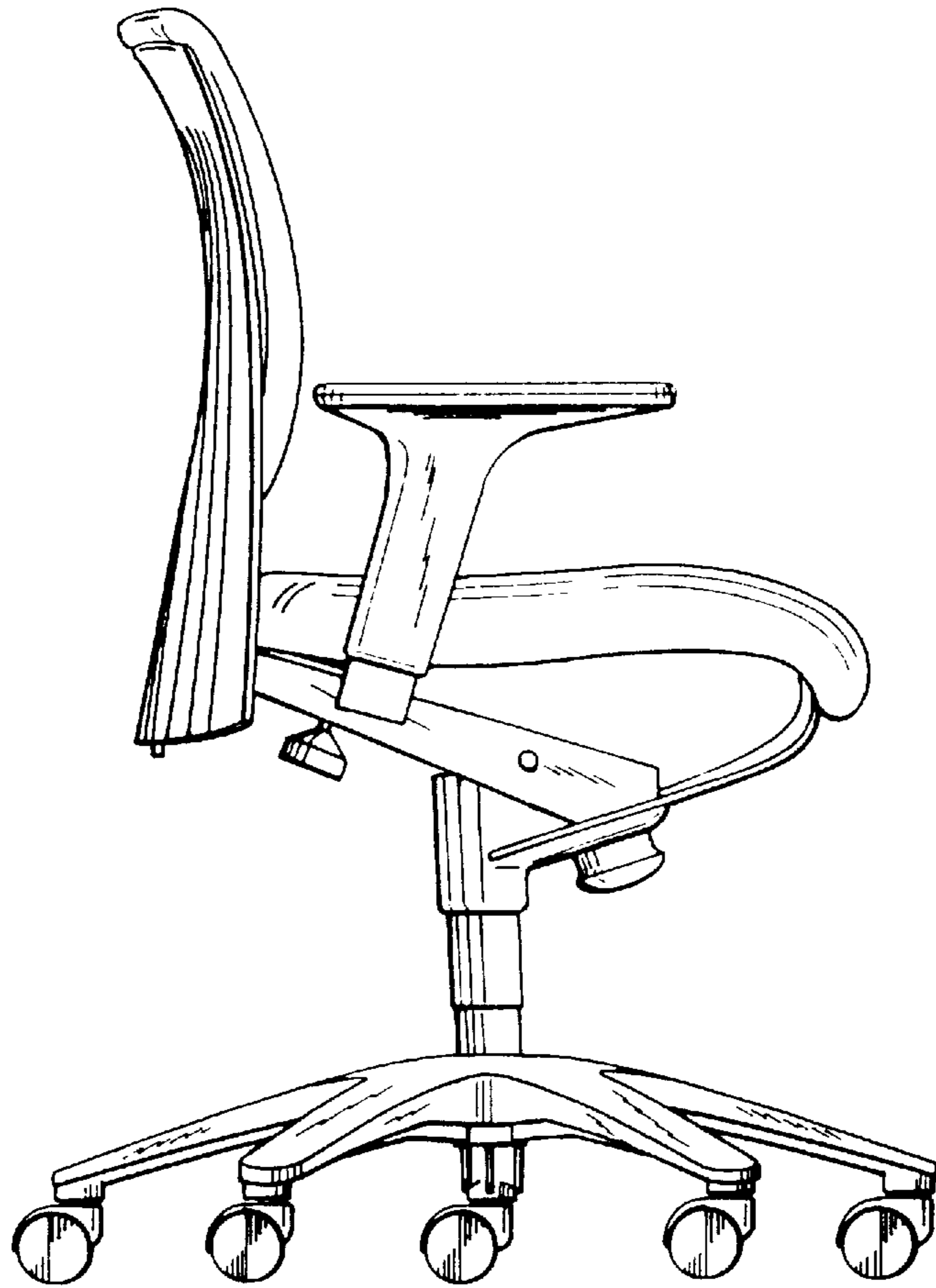


FIGURE 7

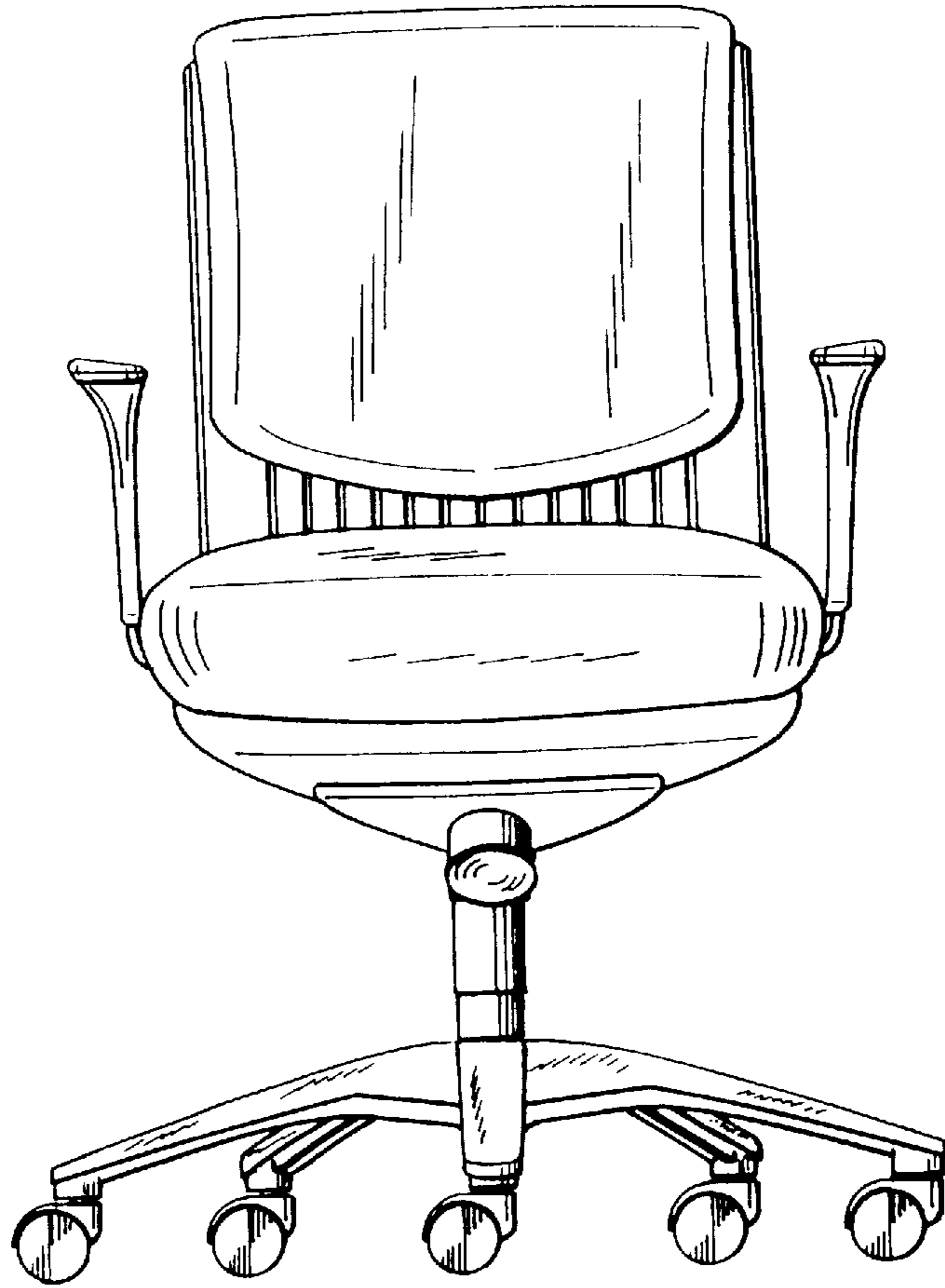


FIGURE 8

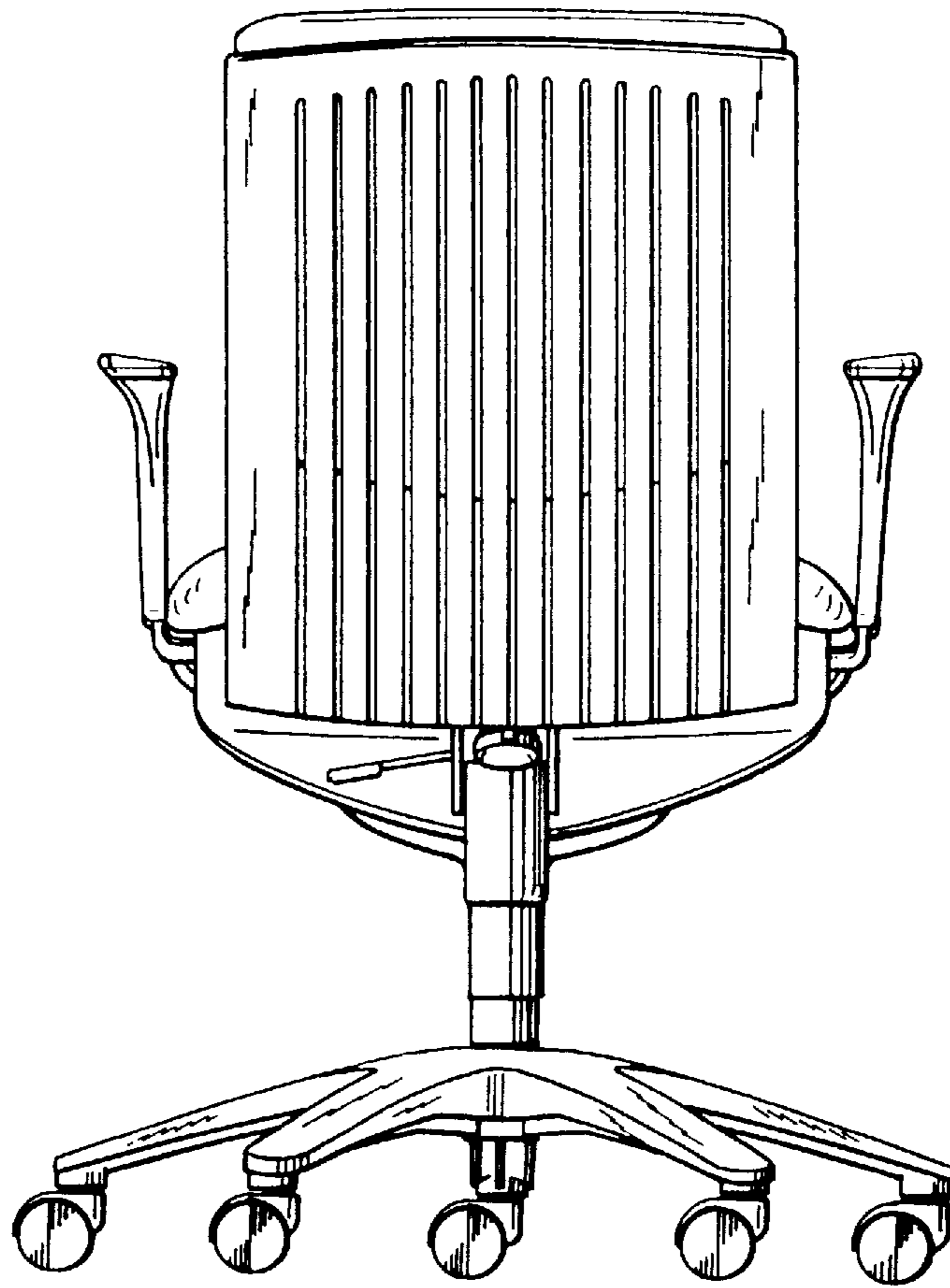


FIGURE 9

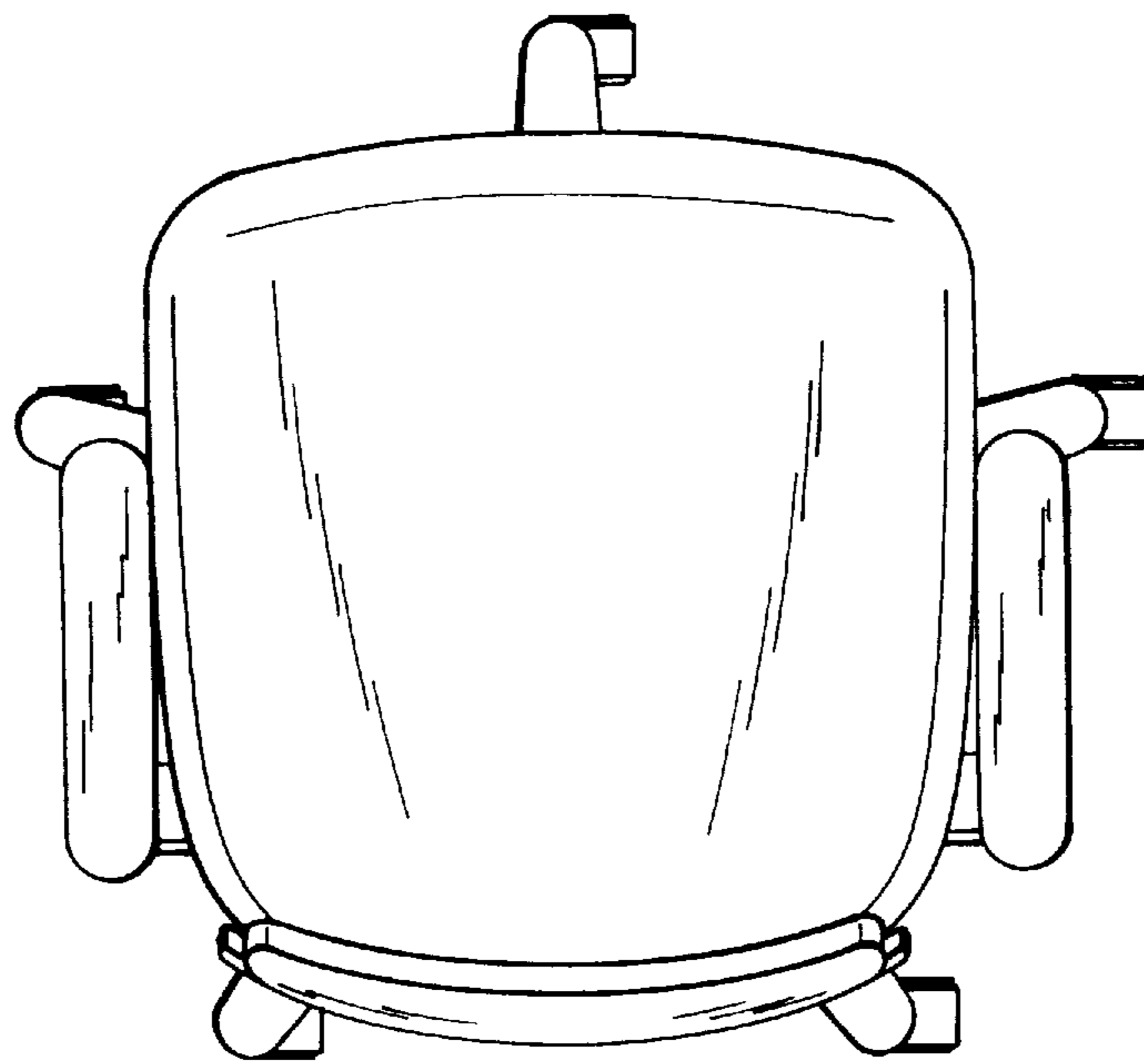


FIGURE 10