



US00D398162S

United States Patent [19]

Reck, Jr.

[11] **Patent Number: Des. 398,162**

[45] **Date of Patent: **Sep. 15, 1998**

[54] **COMBINED SEAT AND PACK SUPPORT**

4,487,345 12/1984 Pierce et al. 224/155
4,676,548 6/1987 Bradbury D6/335 X

[76] Inventor: **Edward W. Reck, Jr.**, 53 N. Bellegrove Rd., Baltimore, Md. 21228

Primary Examiner—Gary D. Watson

[**] Term: **14 Years**

[57] **CLAIM**

[21] Appl. No.: **66,169**

The ornamental design for a combined seat and pack support, as shown and described.

[22] Filed: **Feb. 6, 1997**

DESCRIPTION

[51] **LOC (6) Cl.** **06-01**

[52] **U.S. Cl.** **D6/335; D6/368**

[58] **Field of Search** D6/334, 335, 336, D6/368, 500, 501, 502; D3/216; 224/155; 297/16.1, 16.2, 21, 22

FIG. 1 is a front elevational view of the combined seat and pack support of the present invention;

FIG. 2 is a rear elevational view of the combined seat and pack support of FIG. 1;

FIG. 3 is a left side elevational view of the combined seat and pack support of FIG. 1;

FIG. 4 is a right side elevational view of the combined seat and pack support of FIG. 1 shown in an alternate position;

FIG. 5 is a top plan view of the combined seat and pack support of FIG. 1; and,

FIG. 6 is a bottom plan view of the combined seat and pack support of FIG. 1.

[56] **References Cited**

U.S. PATENT DOCUMENTS

D. 284,910	8/1986	Handy	D6/336
D. 286,227	10/1986	Ellis	D6/335 X
D. 300,883	5/1989	Montandon	D6/335
D. 343,525	1/1994	Wright	D6/368
D. 373,475	9/1996	Sullivan	D6/335
3,151,909	10/1964	Gerdetz	D6/336 X

1 Claim, 3 Drawing Sheets

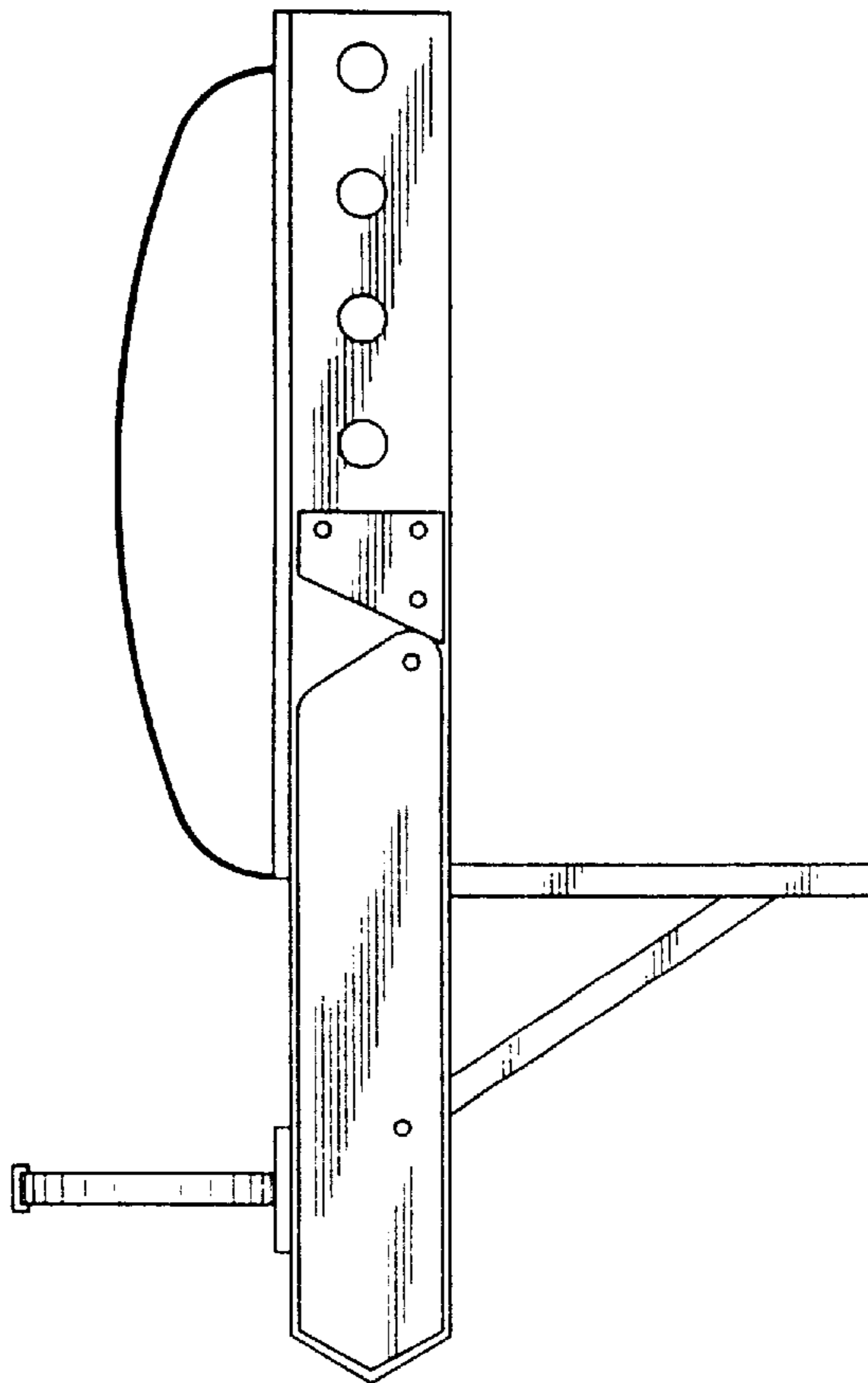


FIG. 1

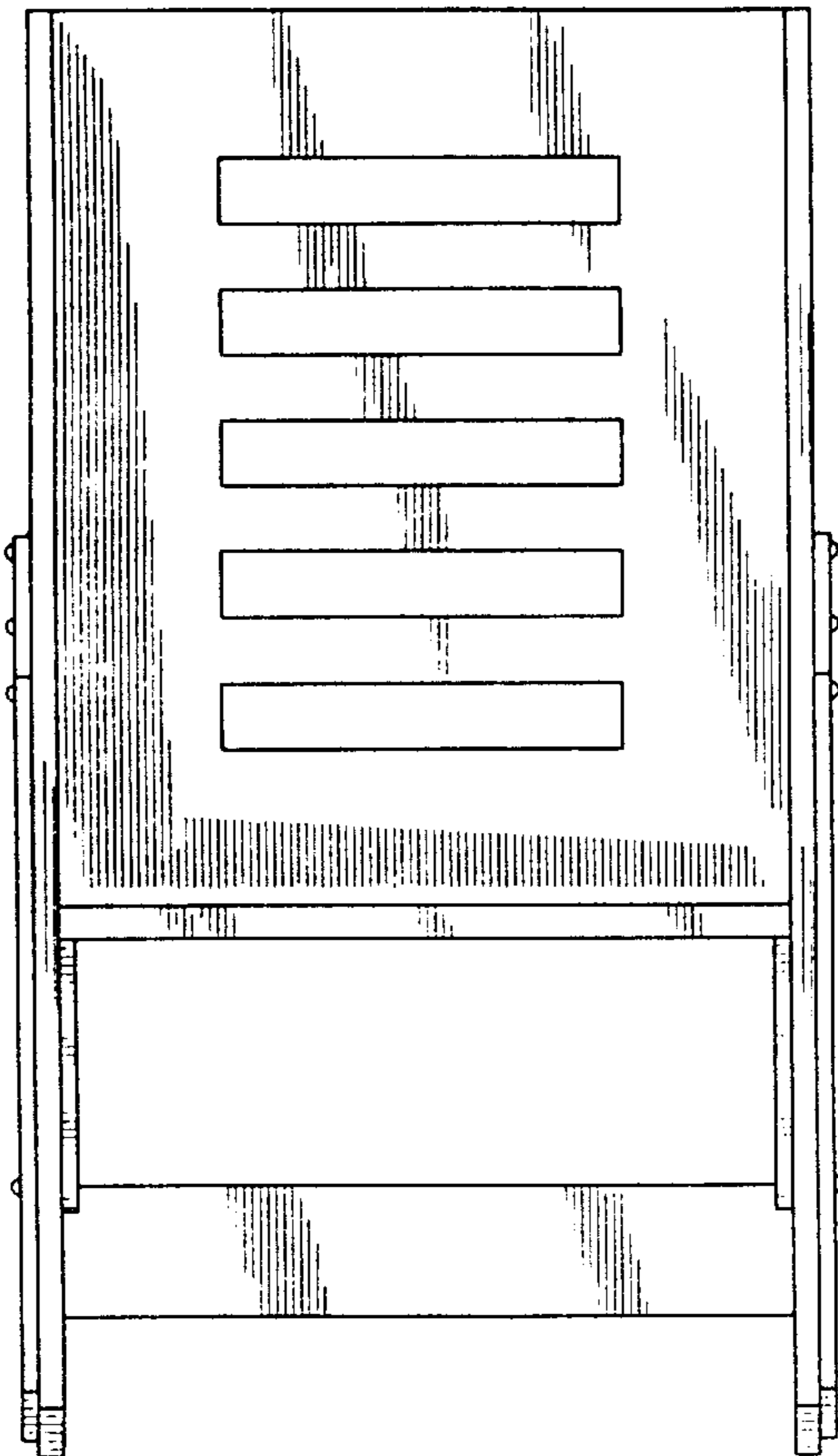


FIG. 2

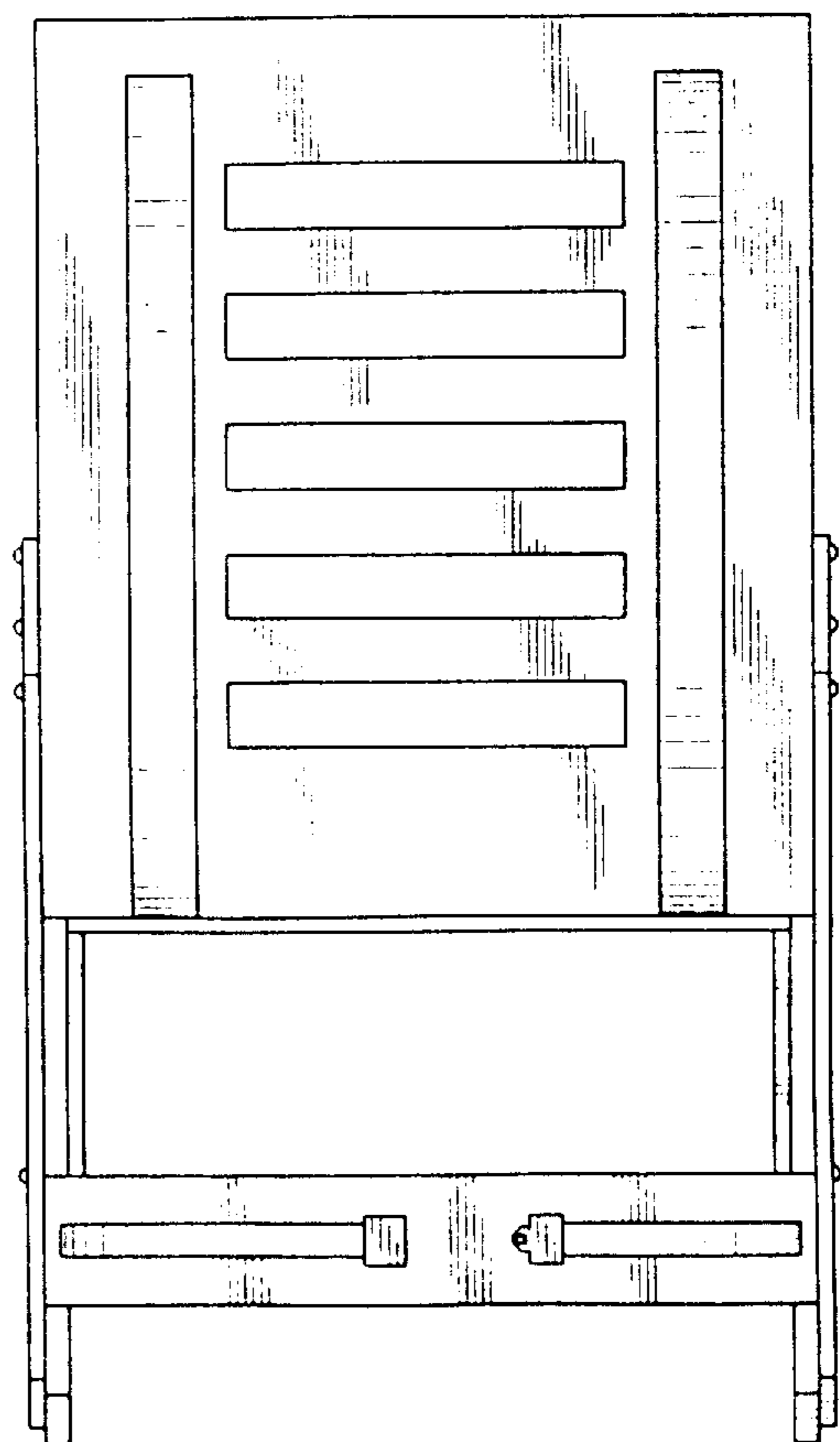


FIG. 3

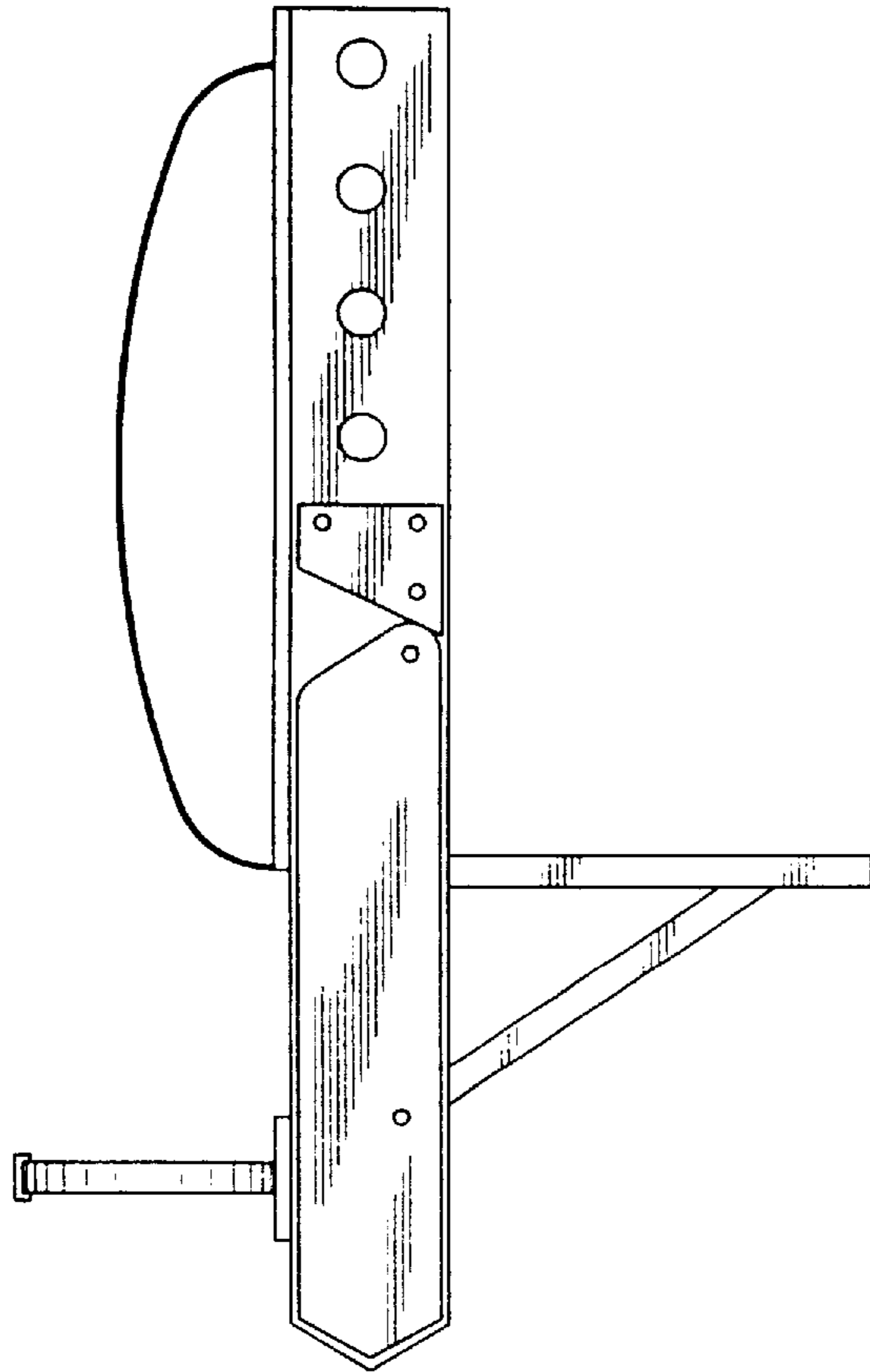


FIG. 4

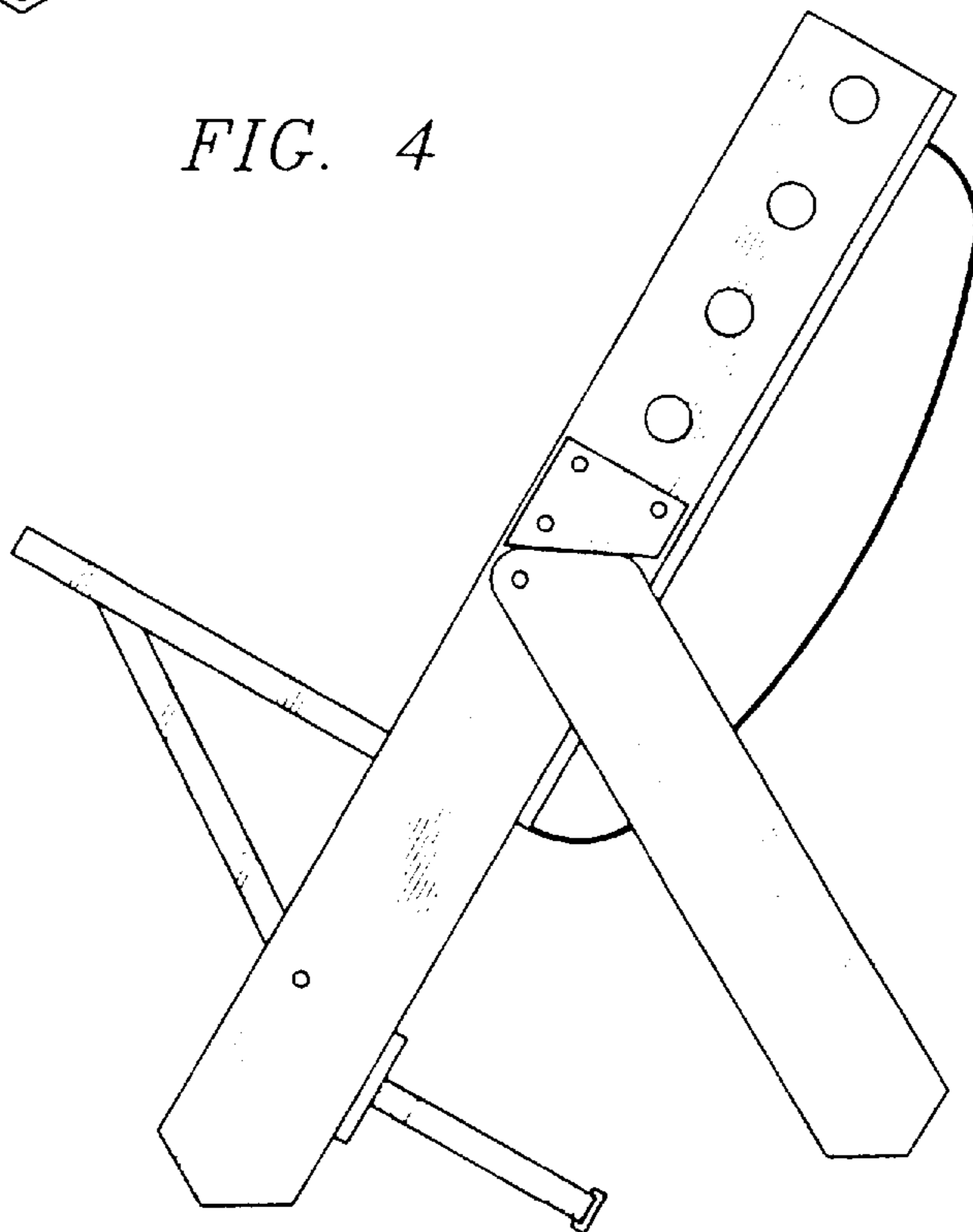


FIG. 5

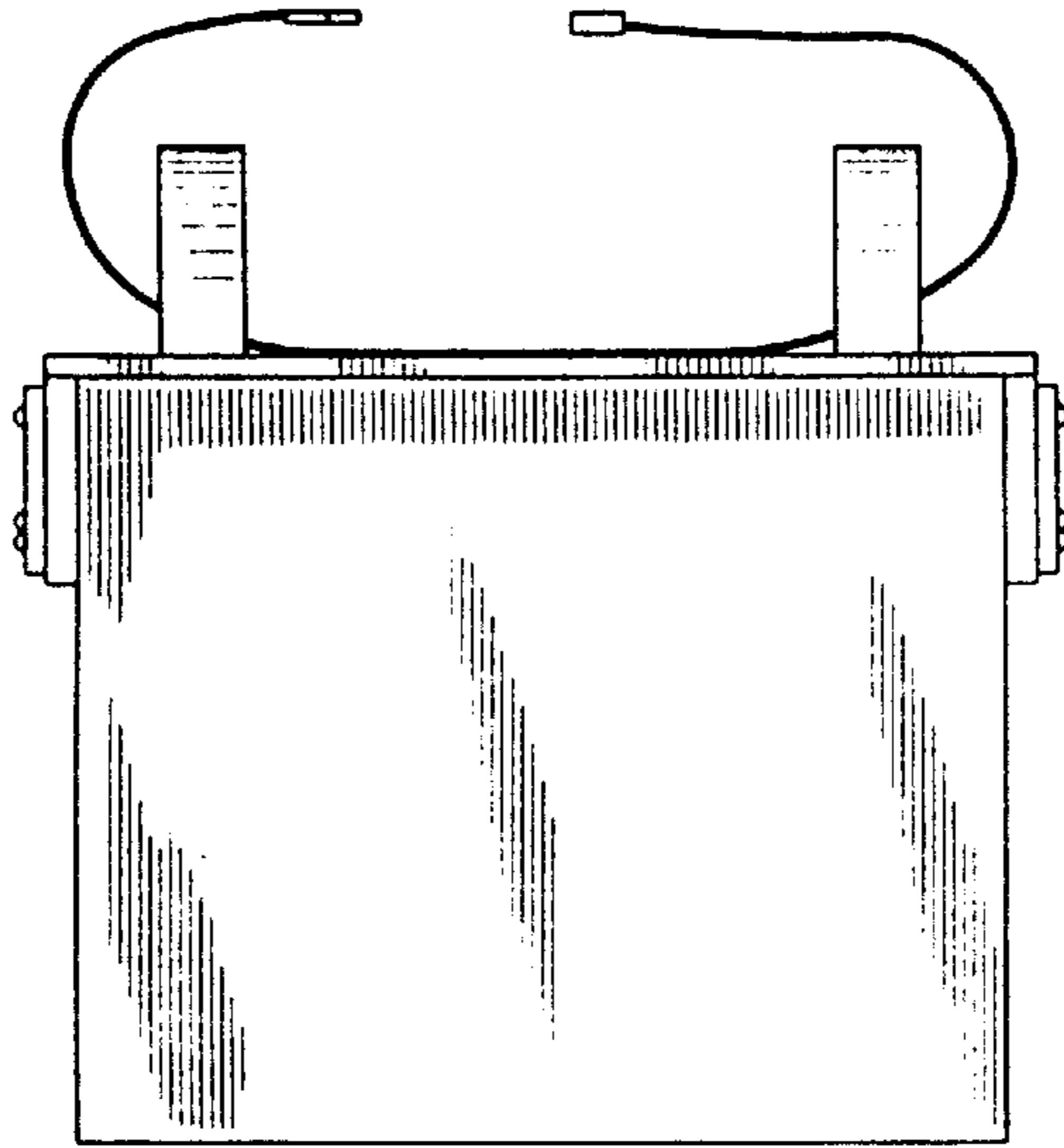


FIG. 6

