



US00D398160S

United States Patent [19] Umbarger

[11] **Patent Number: Des. 398,160**

[45] **Date of Patent: **Sep. 15, 1998**

[54] **BELT RACK**

[76] Inventor: **Stuart W. Umbarger**, 3248 Lithia
Pinecrest Rd. Suite 104, Valrico, Fla.
33594

[**] Term: **14 Years**

[21] Appl. No.: **68,981**

[22] Filed: **Apr. 24, 1997**

[51] **LOC (6) Cl.** **06-08**

[52] **U.S. Cl.** **D6/320**

[58] **Field of Search** D6/320, 553; 211/87.01,
211/60.1, 96

[56] **References Cited**

U.S. PATENT DOCUMENTS

D. 244,979	7/1977	Gitlitz	D6/320
2,366,085	12/1944	Brothers	211/87.01
2,401,835	6/1946	McFall	.	
3,710,996	1/1973	Smilow et al.	.	
4,063,669	12/1977	Smilow et al.	.	
4,325,485	4/1982	Pina	211/96
4,327,837	5/1982	Ross	211/96
4,453,655	6/1984	Smilow et al.	.	
4,629,073	12/1986	Belden	.	
4,834,248	5/1989	Lee	D6/320
5,222,638	6/1993	Kolton et al.	.	
5,487,473	1/1996	Ford	.	

Primary Examiner—B. J. Bullock
Attorney, Agent, or Firm—Frijouf, Rust & Pyle, P.A.

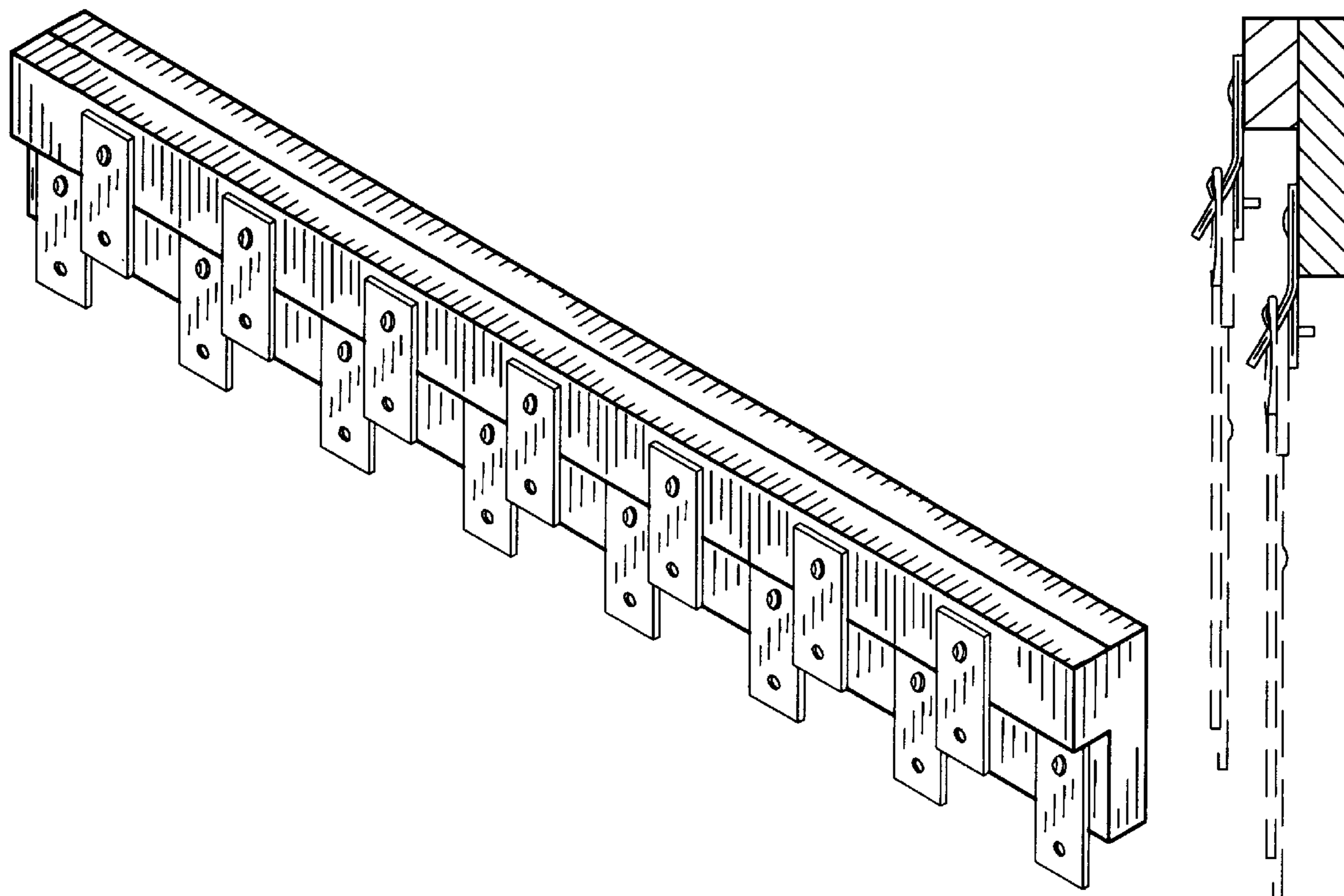
[57] **CLAIM**

The ornamental design for a belt rack, as shown and described.

DESCRIPTION

FIG. 1 is a perspective view of my new design for a belt rack;
 FIG. 2 is a front view thereof;
 FIG. 3 is a rear view thereof;
 FIG. 4 is a left side view thereof;
 FIG. 5 is a right side view thereof;
 FIG. 6 is a top view thereof;
 FIG. 7 is a bottom view thereof;
 FIG. 8 is an enlarged view of a portion of FIG. 2 ;
 FIG. 9 is a sectional view along line 9—9 in FIG. 8 ;
 FIG. 10 is a sectional view along line 10—10 in FIG. 8 ;
 FIG. 11 is a somewhat enlarged view of a portion of FIG. 2 with the belt rack supporting plural belts which are shown in broken lines for illustrative purposes only and which form no part of the claimed design;
 FIG. 12 is a rear view thereof;
 FIG. 13 is a sectional view along line 13—13 in FIG. 11 ;
 and,
 FIG. 14 is a sectional view along line 14—14 in FIG. 11.

1 Claim, 6 Drawing Sheets



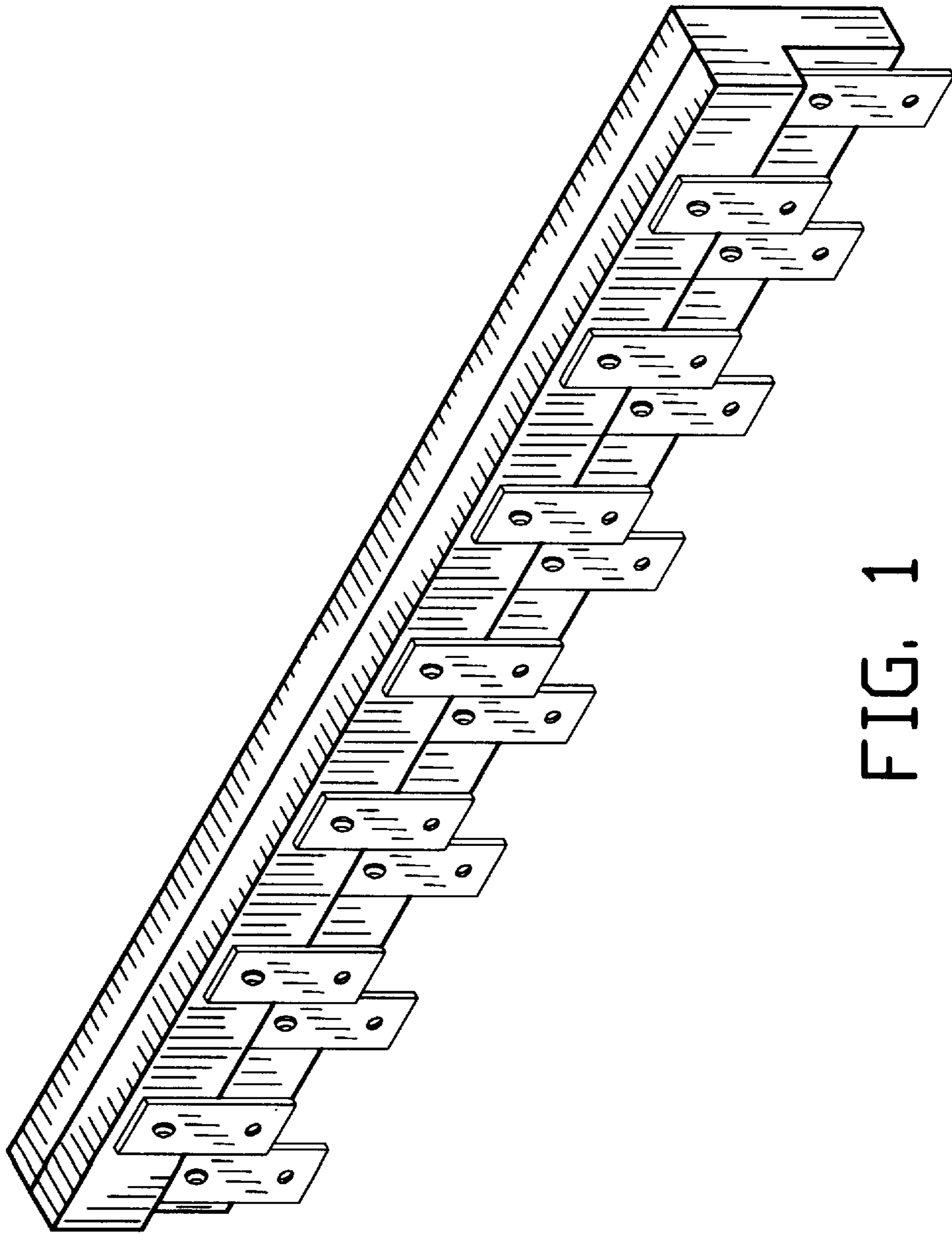


FIG. 1

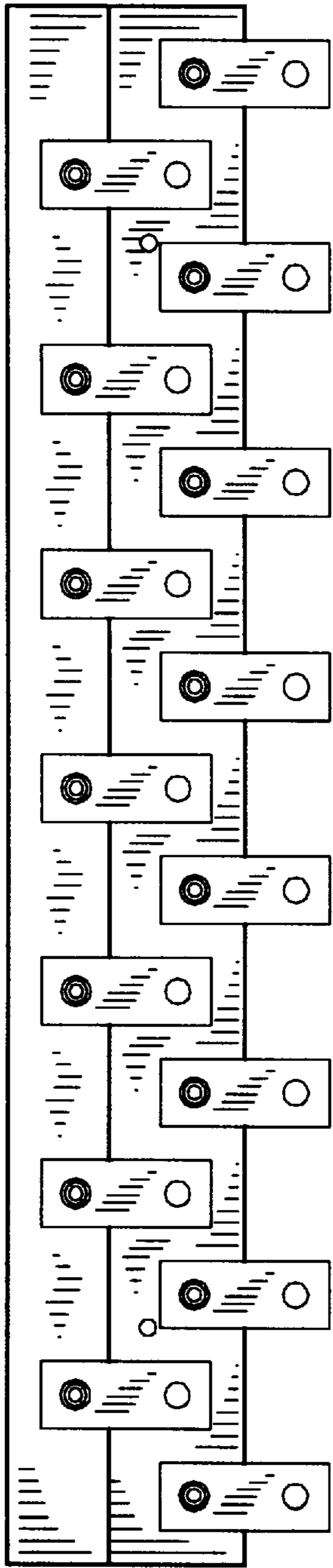


FIG. 2

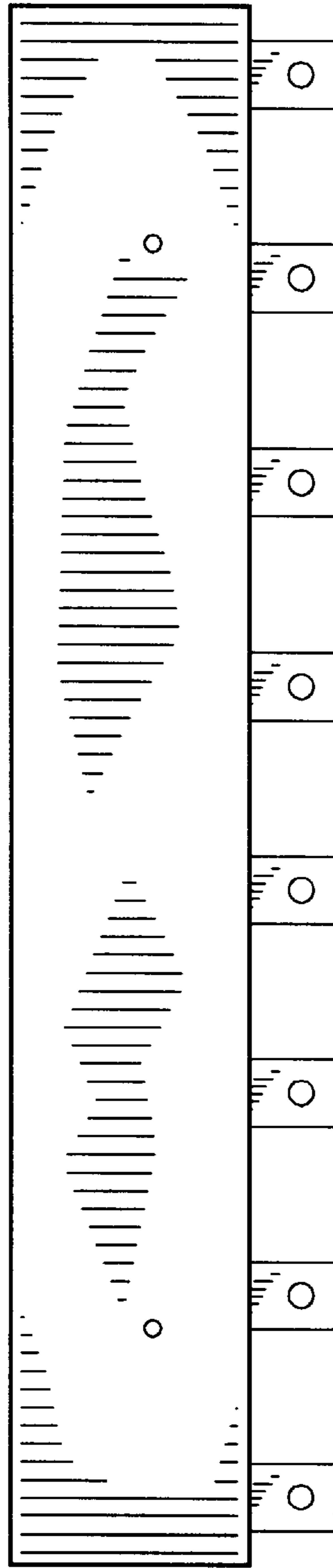


FIG. 3



FIG. 4



FIG. 5

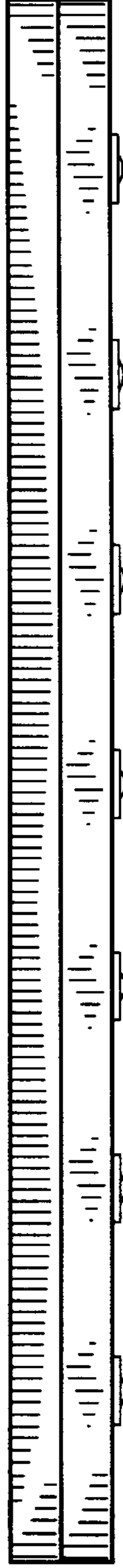


FIG. 6

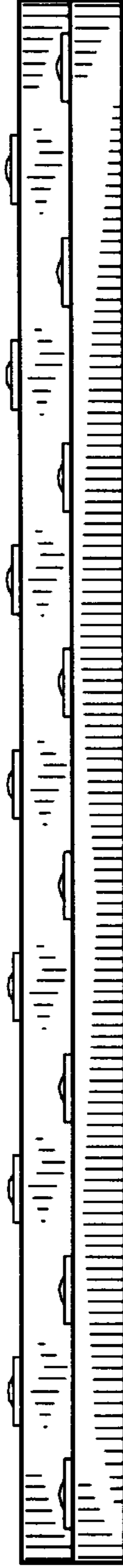


FIG. 7

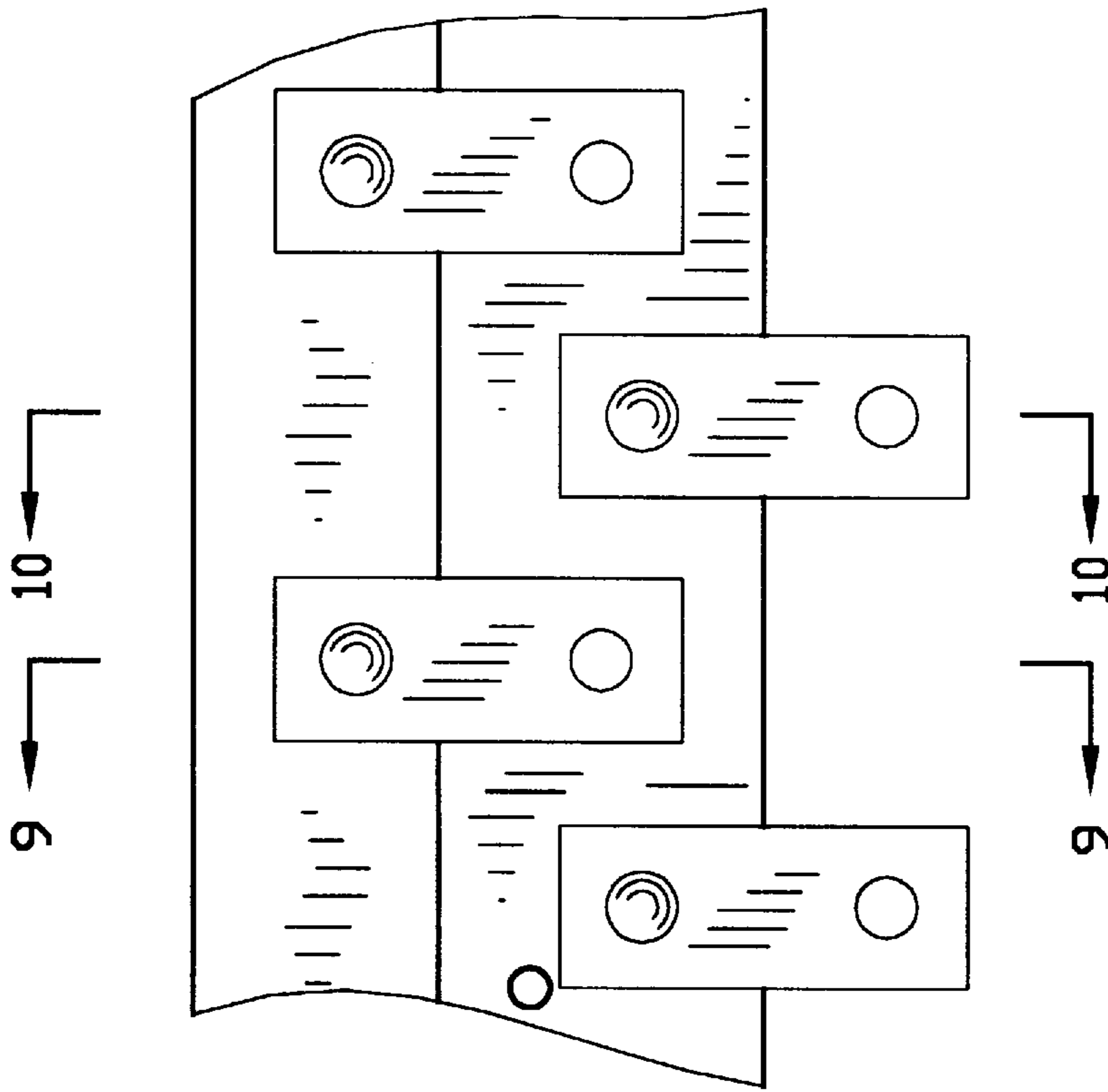


FIG. 8

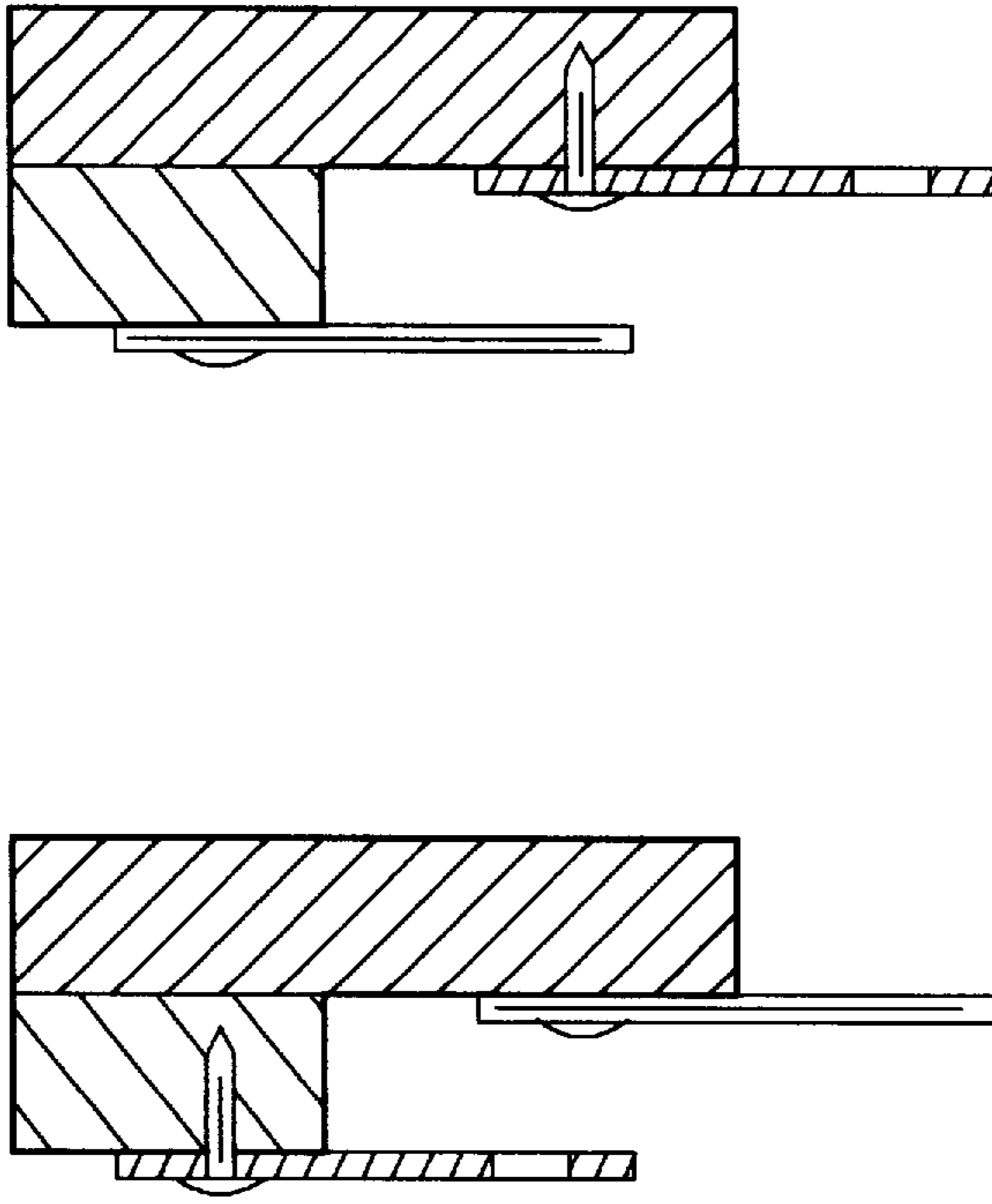


FIG. 9

FIG. 10

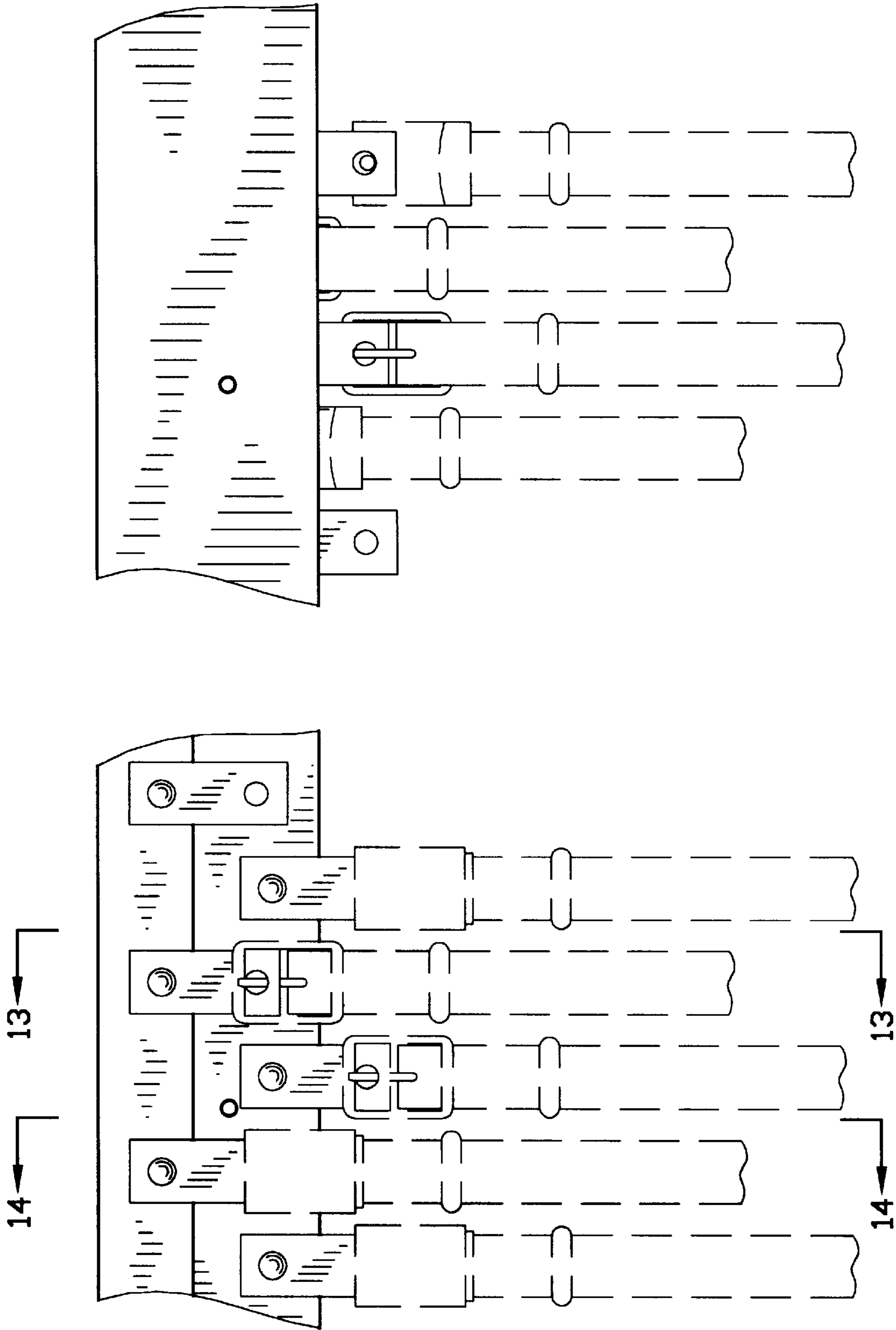


FIG. 12

FIG. 11

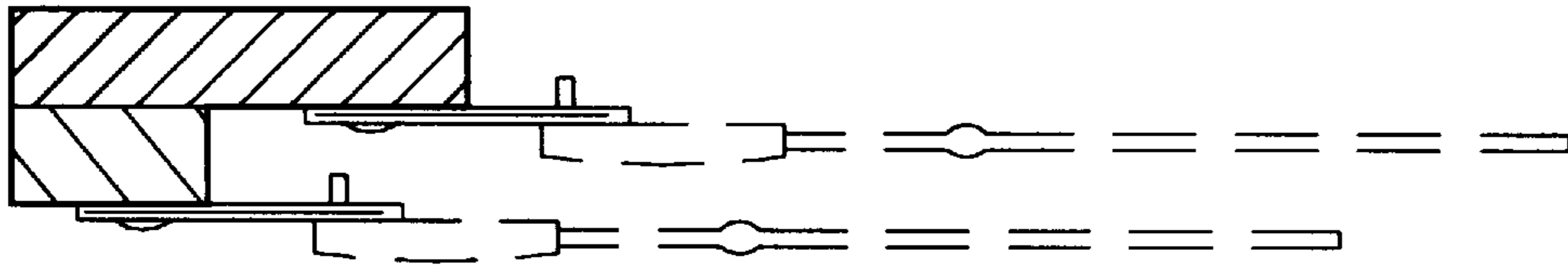


FIG. 14

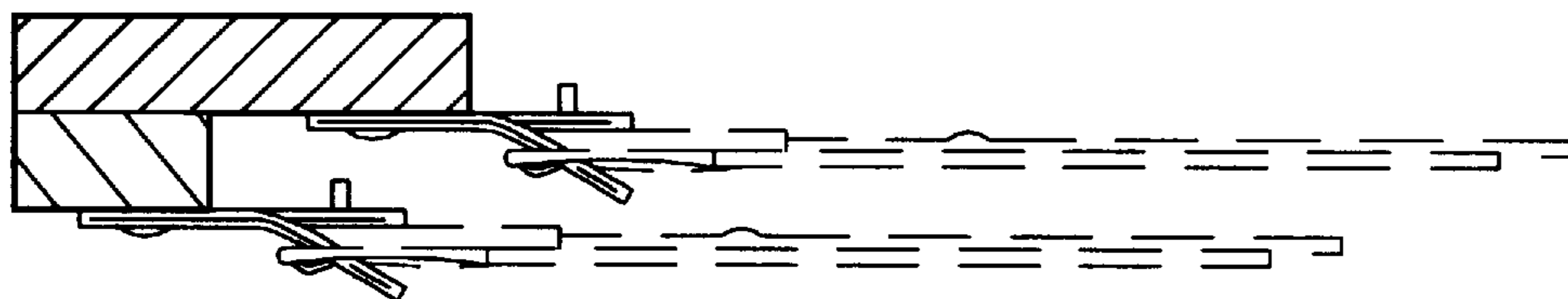


FIG. 13