



US00D398156S

# United States Patent [19]

Jovaag

[11] Patent Number: Des. 398,156

[45] Date of Patent: \*\*Sep. 15, 1998

[54] GOLF BRUSH

[76] Inventor: Michael L. Jovaag, Rte. 1 Box 148A, Holcombe, Wis. 54745

[\*\*] Term: 14 Years

[21] Appl. No.: 75,785

[22] Filed: Aug. 25, 1997

[51] LOC (6) Cl. .... 04-01

[52] U.S. Cl. .... D4/124; D4/127; D4/134

[58] Field of Search ..... D4/107, 118, 124, D4/127, 134; D21/208, 234; 15/111, 143.1, 159.1, 160; 473/408

1,153,409	9/1915	Wheeler	.....	15/105 X
2,857,608	10/1958	Schwartz	.....	15/111
2,879,532	3/1959	Szabo et al.	.....	15/122
2,981,964	5/1961	Downing	.....	15/105
3,763,515	10/1973	Voss	.....	15/105
4,086,678	5/1978	Torr	.....	15/105
5,054,153	10/1991	Silliman	.....	15/160
5,555,589	9/1996	Moultrie	.....	15/105

Primary Examiner—Alan P. Douglas  
Assistant Examiner—Lavone D. Tabor  
Attorney, Agent, or Firm—Anthony J. Bourget

### [57] CLAIM

The ornamental design for a golf brush, as shown and described.

### DESCRIPTION

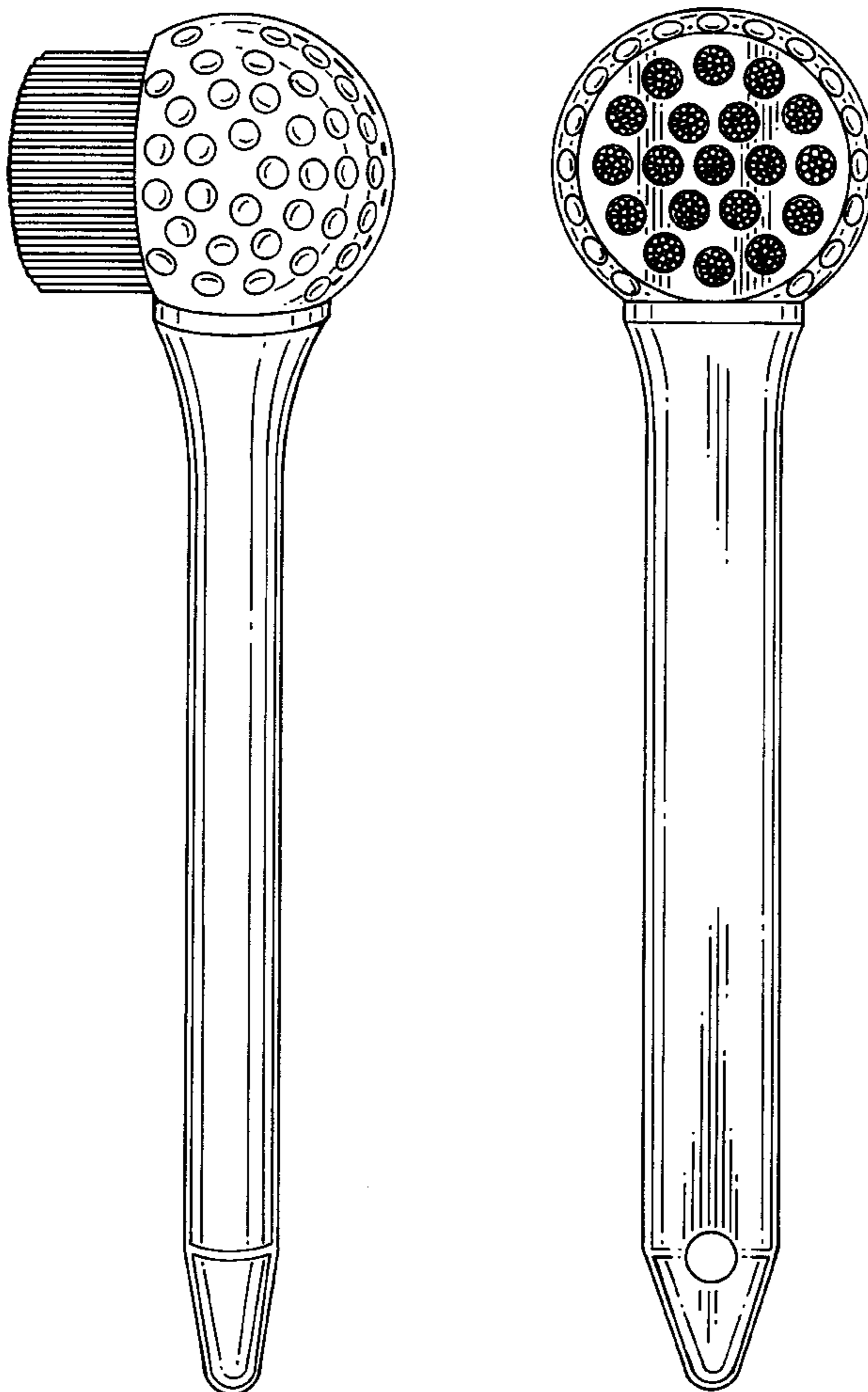
FIG. 1 is a perspective view of a golf brush showing my new design;  
FIG. 2 is a bottom plan view thereof;  
FIG. 3 is a side elevational view thereof;  
FIG. 4 is a top plan view thereof;  
FIG. 5 is a front end elevational view thereof; and ,  
FIG. 6 is a back end elevational view thereof.  
The undisclosed side is a mirror image of the side that is shown in FIG. 3 .

### [56] References Cited

#### U.S. PATENT DOCUMENTS

D. 191,299	9/1961	Beban	.....	D4/134
D. 209,842	1/1968	Anderson	.....	D21/234
D. 264,369	5/1982	Jackson	.....	D21/234
D. 275,780	10/1984	Pearson	.....	D21/234
D. 280,229	8/1985	Parent	.....	D21/234
D. 292,753	11/1987	Clayton et al.	.....	D4/119
D. 339,473	9/1993	Lewis et al.	.....	D4/116
D. 342,832	1/1994	Wabnitz	.....	D4/118
D. 350,631	9/1994	Sigle	.....	D32/42
D. 376,630	12/1996	Bradford et al.	.....	D21/208

1 Claim, 3 Drawing Sheets



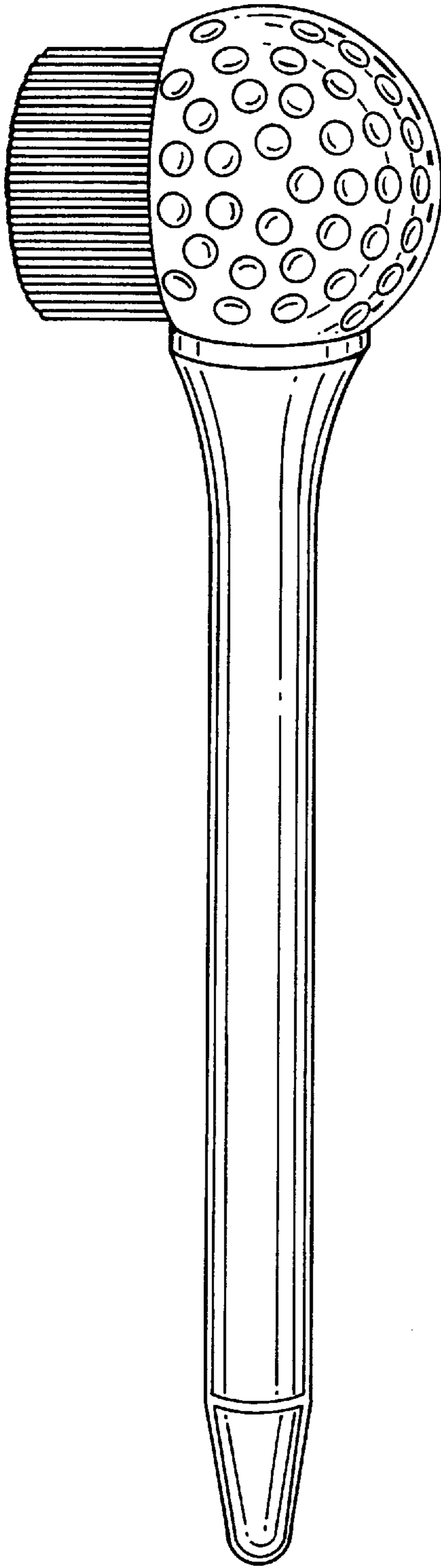


FIG. 1

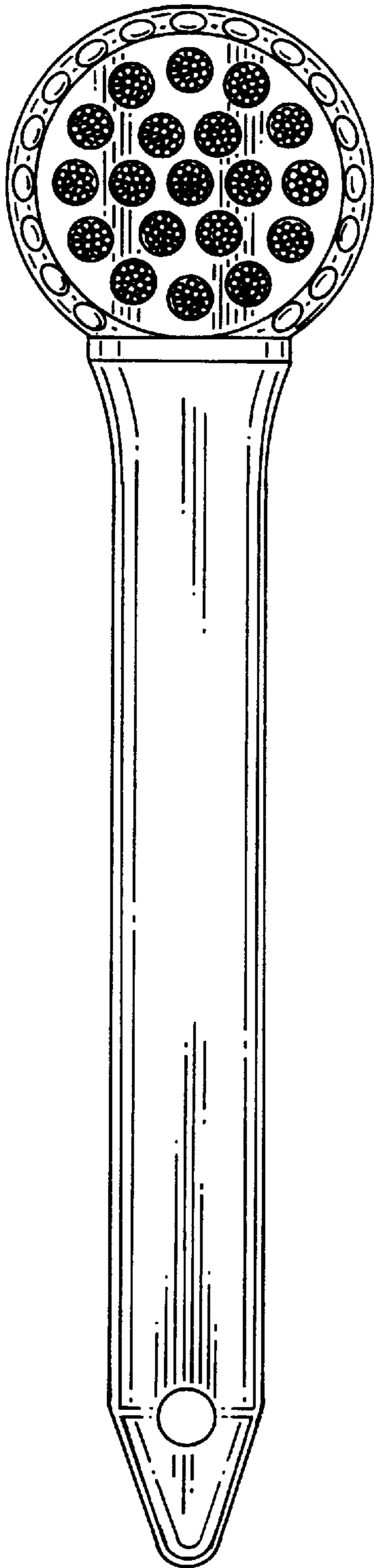


FIG. 2

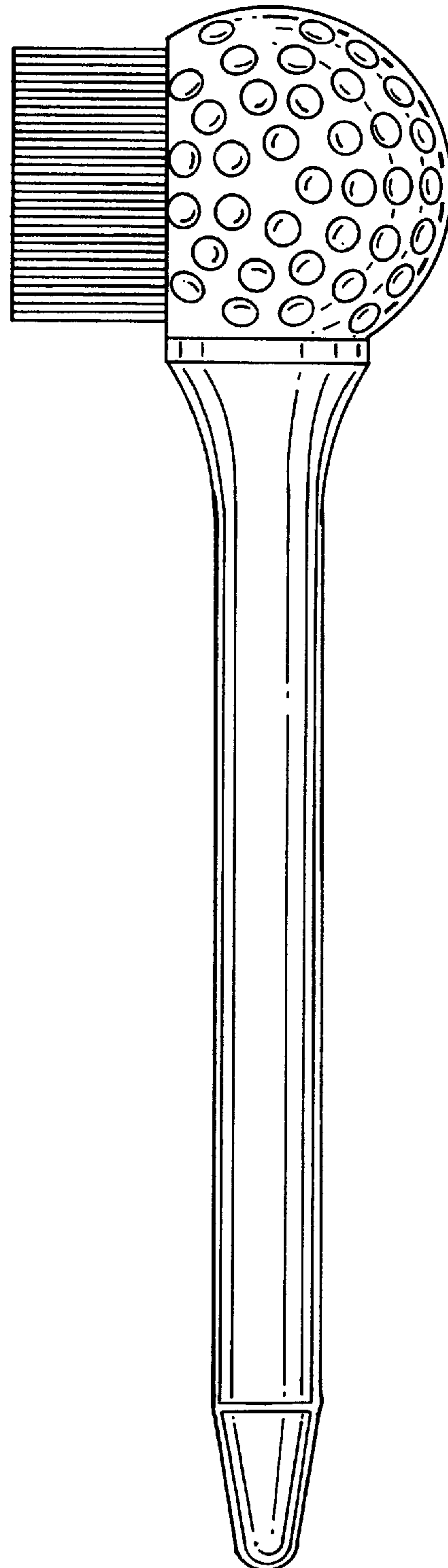


FIG. 3

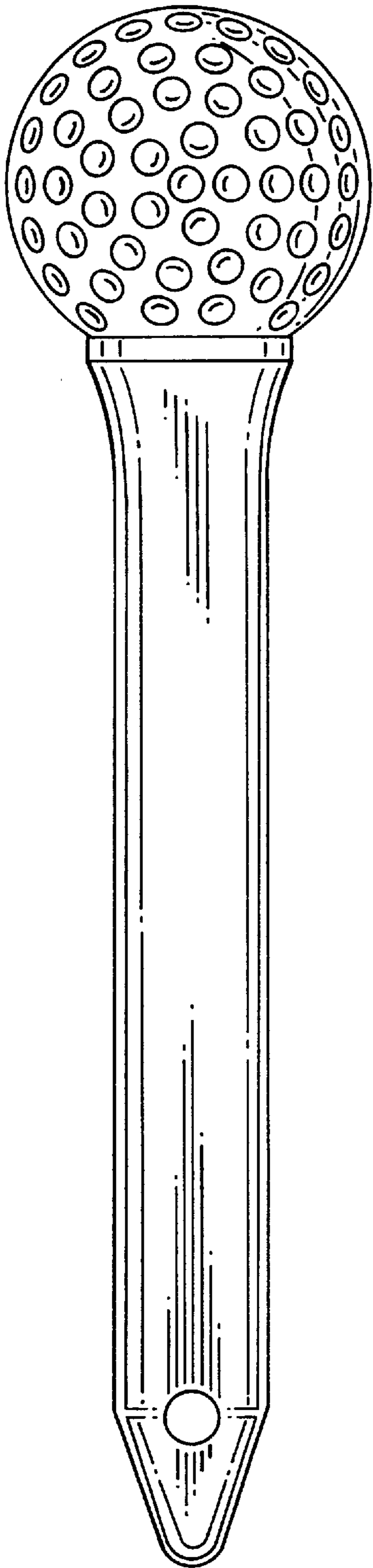


FIG. 4

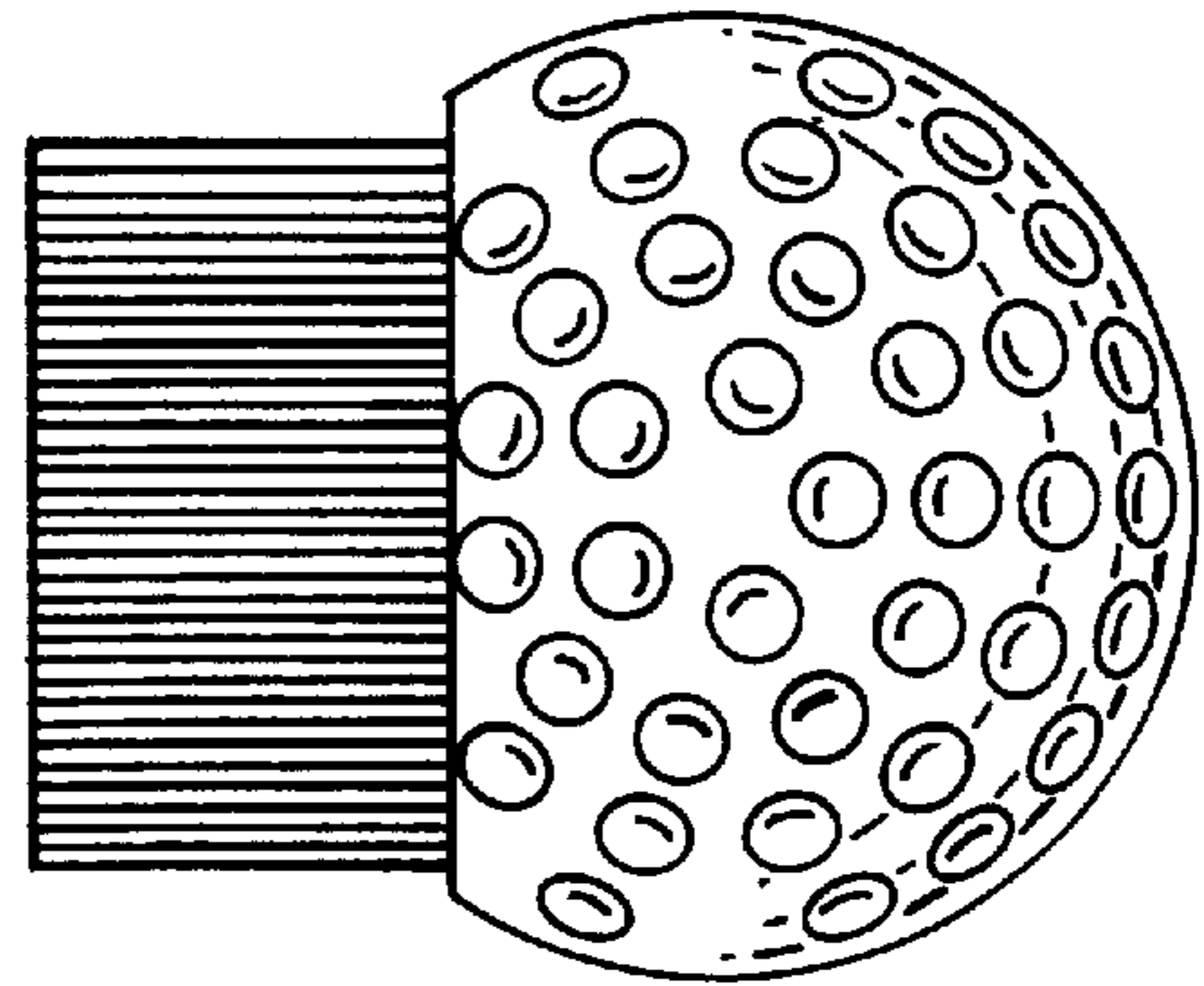


FIG. 5

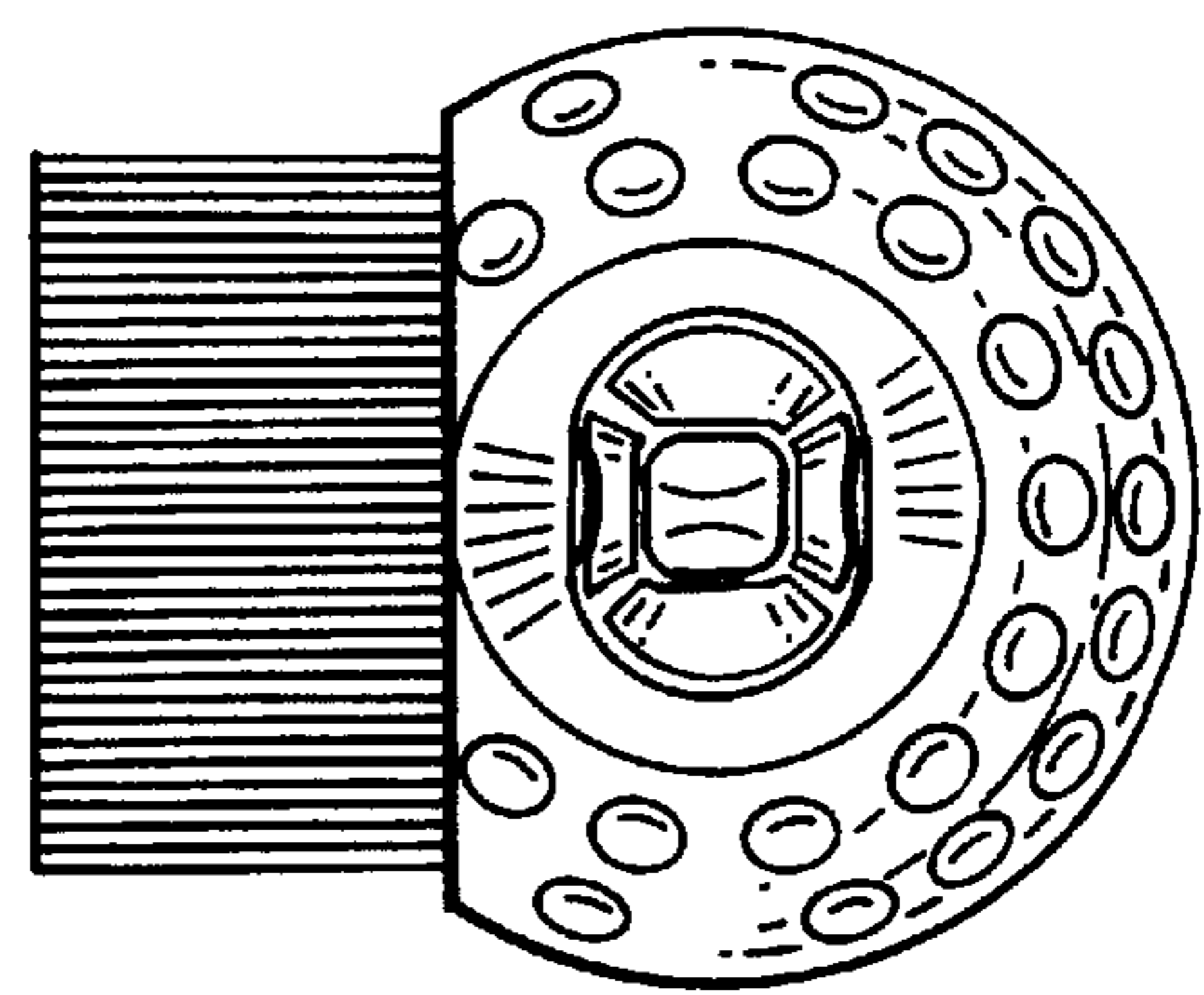


FIG. 6