



US00D398154S

United States Patent [19] Moskovich

[11] Patent Number: Des. 398,154

[45] Date of Patent: ***Sep. 15, 1998

[54] TOOTHBRUSH

[75] Inventor: Robert Moskovich, East Brunswick, N.J.

[73] Assignee: Colgate-Palmolive Company, New York, N.Y.

[*] Notice: The portion of the term of this patent subsequent to Nov. 18, 2011, has been disclaimed.

[**] Term: 14 Years

[21] Appl. No.: 64,129

[22] Filed: Dec. 23, 1996

[51] LOC (6) Cl. 04-02

[52] U.S. Cl. D4/104

[58] Field of Search D4/104-112, 132, D4/134, 138; 15/143.1, 159.1, 167.1, 167.2, 186, 187; 132/308, 309; 601/139, 141

[56] References Cited

U.S. PATENT DOCUMENTS

D. 085,112	9/1931	McGauley	D4/112
D. 110,186	6/1938	Lukenbill	D4/104
D. 123,388	11/1940	Duey	D4/104
D. 152,654	2/1949	Rodriquez	D4/138
D. 157,707	3/1950	Shelsey	D4/120
D. 172,693	7/1954	Wibbelsman et al.	D4/104
D. 179,985	4/1957	Scholl	D4/132
D. 207,303	4/1967	Moll	D4/105
D. 258,143	2/1981	Flick	D4/104 X
D. 274,018	5/1984	Usui	D4/104
D. 283,952	5/1986	Berkowitz	D4/108
D. 315,060	3/1991	Purushothaman	D4/104
D. 320,889	10/1991	Berti	D4/138
D. 324,311	3/1992	Mueller	D4/119
D. 334,474	4/1993	Sauceda	D4/104
D. 335,579	5/1993	Chuang	D4/105
D. 343,955	2/1994	Peters, Jr.	D4/104
D. 346,276	4/1994	Sherman et al.	D4/104
D. 346,277	4/1994	Sherman et al.	D4/104
958,371	5/1910	Danek	15/167.1
1,657,450	1/1928	Barnes	15/167.1

1,984,787	12/1934	Elliot	15/143.1
2,094,240	9/1937	Herrick et al.	15/187.1
2,164,219	6/1939	McGerry	601/141

(List continued on next page.)

Primary Examiner—Alan P. Douglas
Assistant Examiner—Lavone D. Tabor
Attorney, Agent, or Firm—Richard J. Ancel

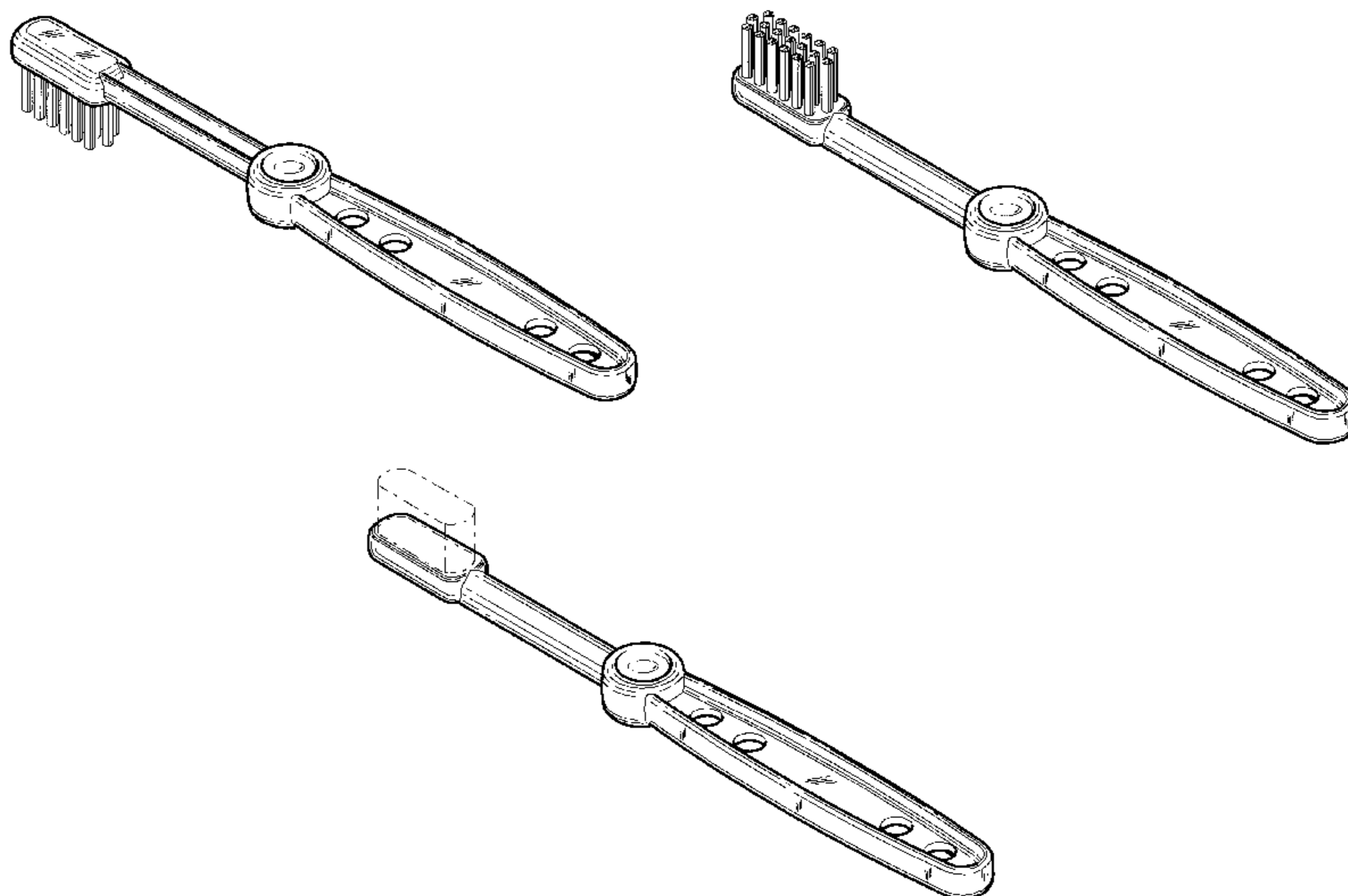
[57] CLAIM

The ornamental design for a toothbrush, as shown and described.

DESCRIPTION

FIG. 1 is a top plan view of a toothbrush showing my new design;
 FIG. 2 is a left side elevational view thereof;
 FIG. 3 is a bottom plan view thereof;
 FIG. 4 is a right side elevation view thereof;
 FIG. 5 is an elevational view as seen from the head end thereof;
 FIG. 6 is an elevational view as seen from the handle end thereof;
 FIG. 7 is a perspective view thereof from the top of the brush; and,
 FIG. 8 is a perspective view thereof from the bottom of the brush;
 FIG. 9 is a top plan view of a second embodiment of the design shown in FIGS. 1-8;
 FIG. 10 is a left side elevational view thereof;
 FIG. 11 is a bottom plan view thereof;
 FIG. 12 is a right side elevation view thereof;
 FIG. 13 is an elevational view as seen from the head end thereof;
 FIG. 14 is an elevational view as seen from the handle end thereof;
 FIG. 15 is a perspective view thereof from the top of the brush; and,
 FIG. 16 is a perspective view thereof from the bottom of the brush.
 The broken line showing of bristles in FIGS. 9, 10 and 12-16 is for illustrative purposes only and forms no part of the second embodiment.

1 Claim, 6 Drawing Sheets



Des. 398,154

Page 2

U.S. PATENT DOCUMENTS			
2,229,664	1/1941	Meeske	15/167.1 X
2,263,885	11/1941	McGauley	15/143.1
2,548,255	4/1951	Cressler	300/21
2,690,579	10/1954	Backstrom	15/167.1
2,814,818	12/1957	Birse	15/143.1
2,934,776	5/1960	Clemens	15/167.1
3,302,230	2/1967	Poppelman	15/167.1
3,680,169	8/1972	Thompson	15/176
4,519,109	5/1985	Raymond	15/110
4,731,896	3/1988	de La Tour	15/106
4,776,055	10/1988	Nelson	15/167.1
4,788,734	12/1988	Bauer	15/105

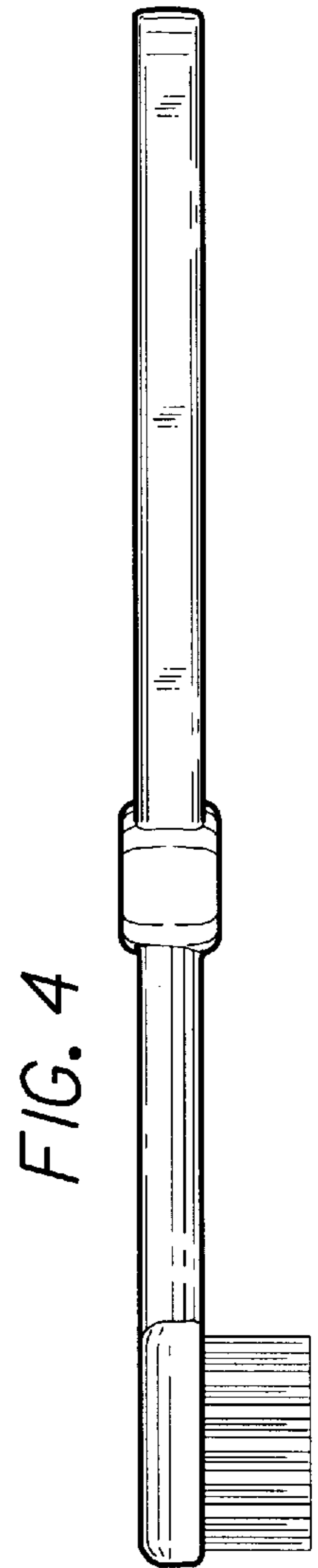
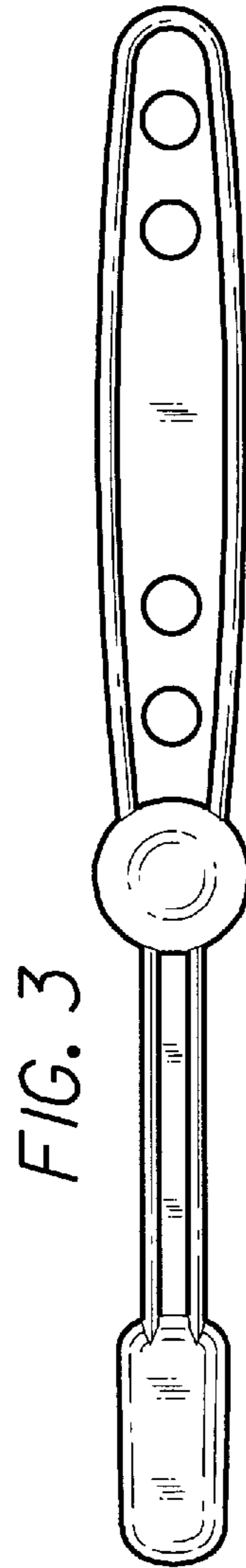
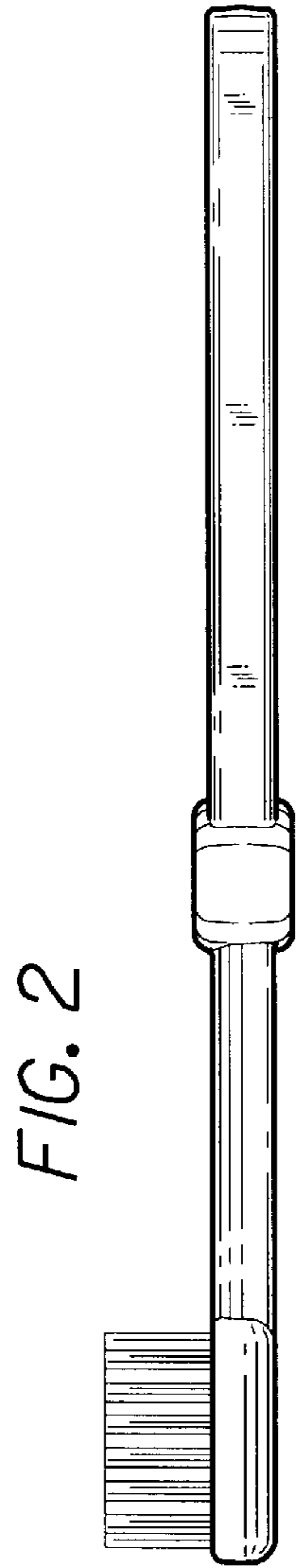
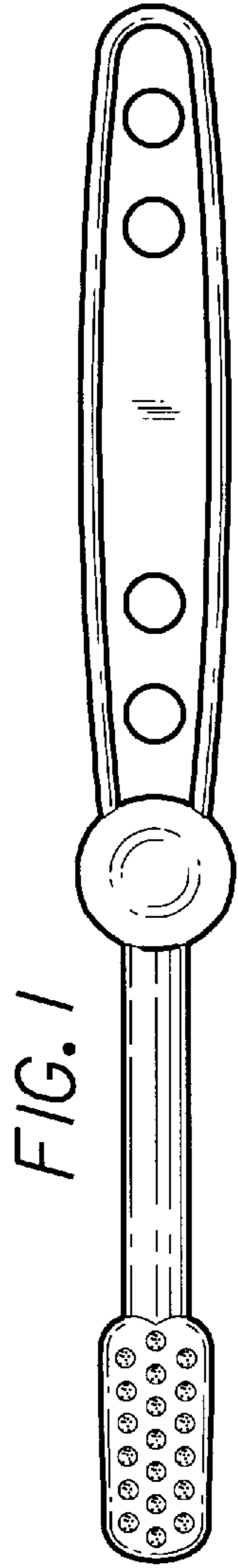


FIG. 6

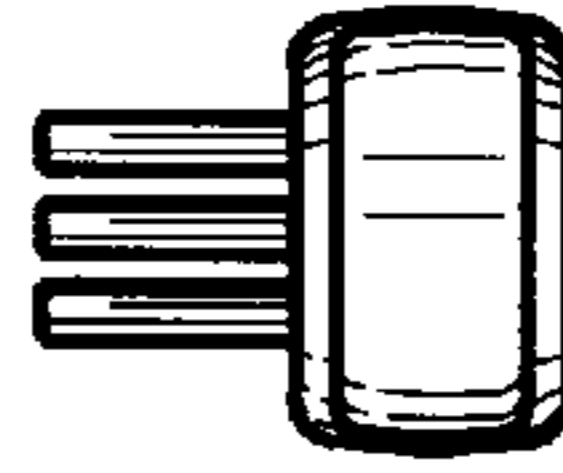
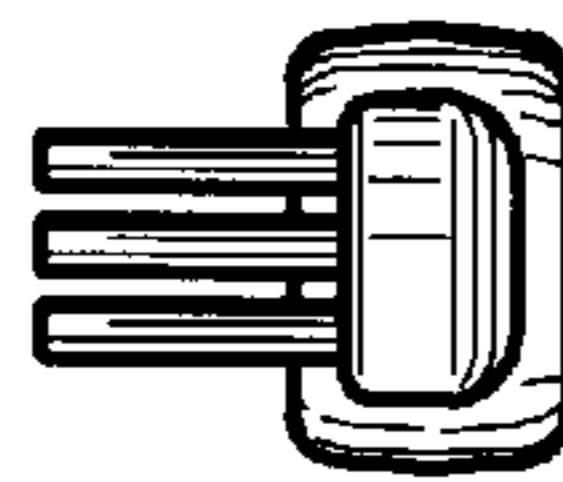


FIG. 5



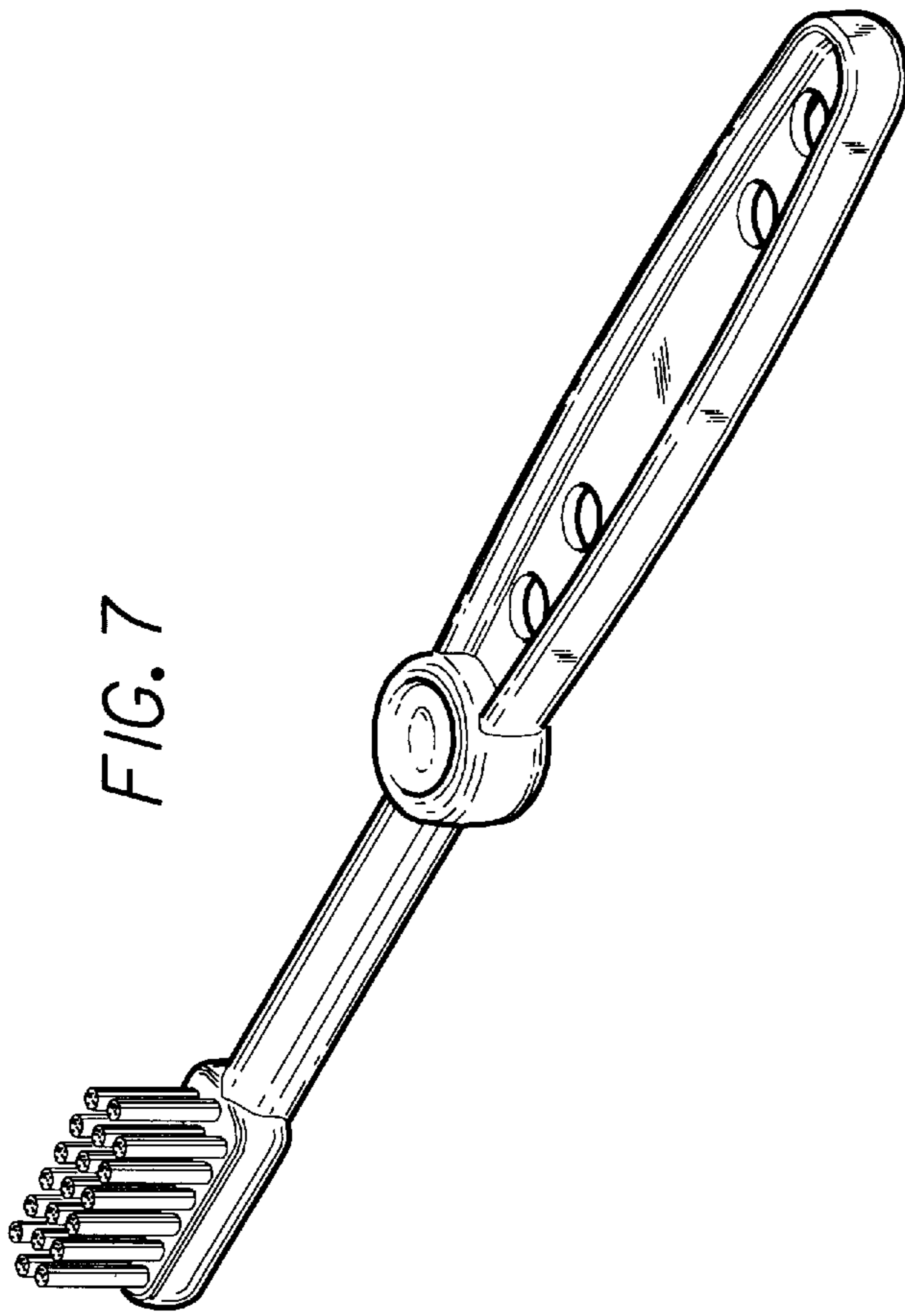


FIG. 7

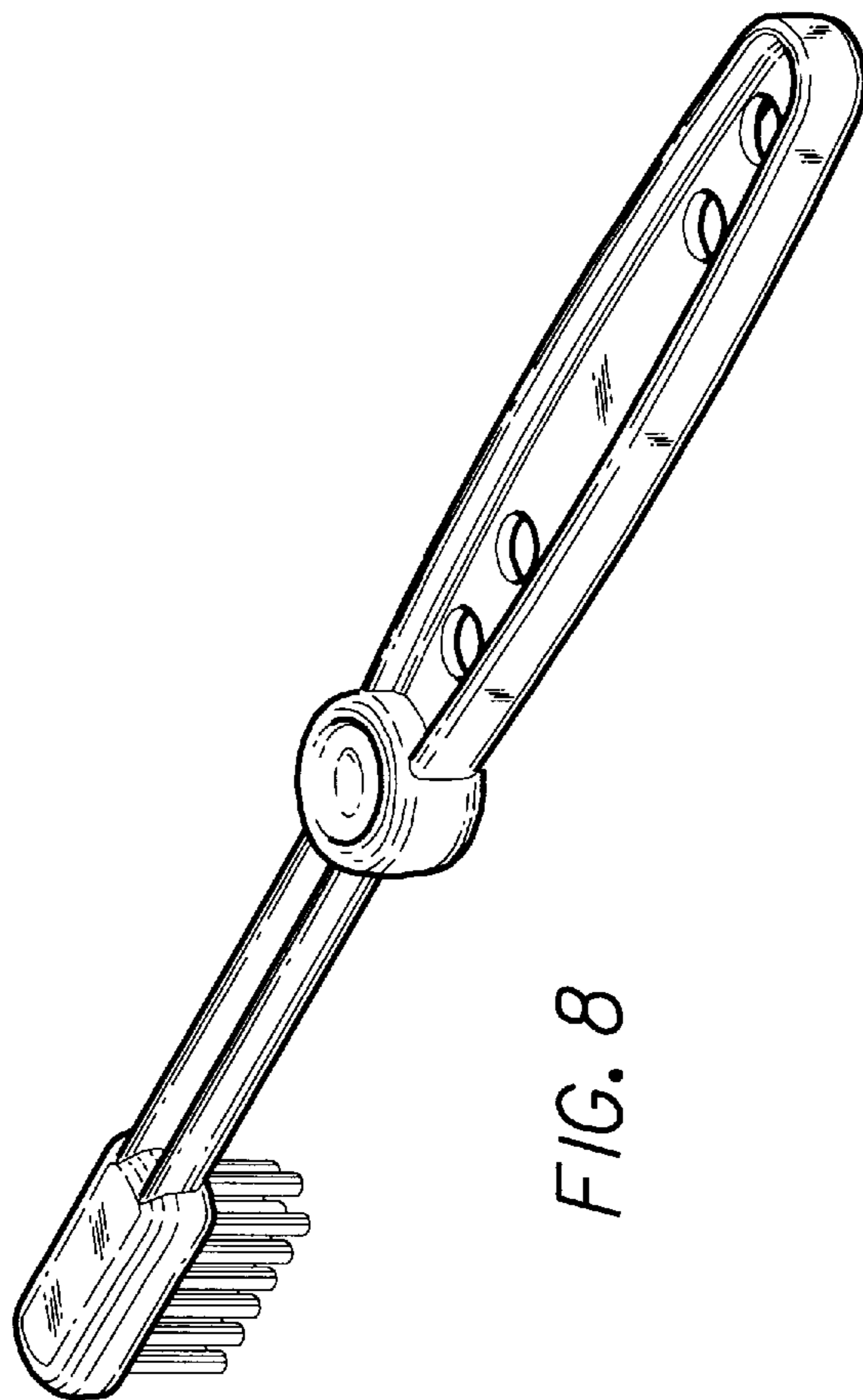


FIG. 8

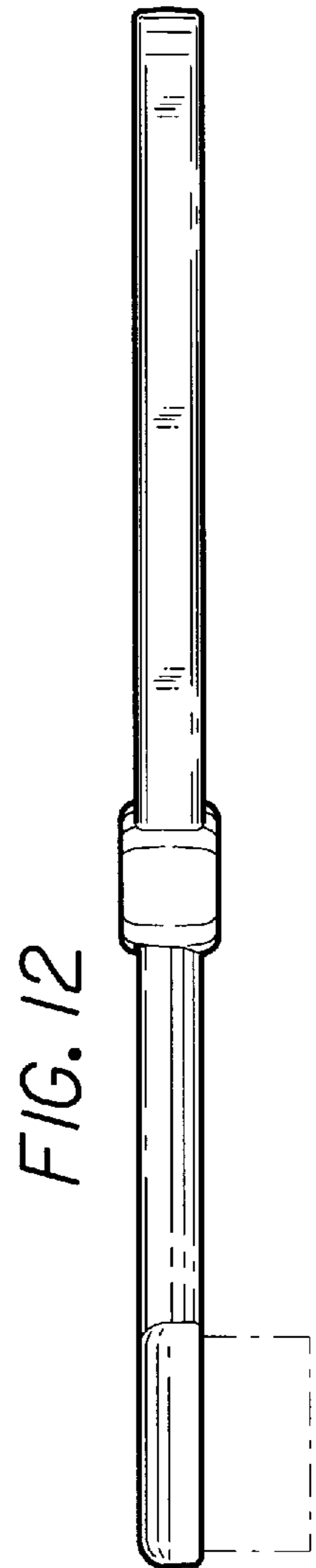
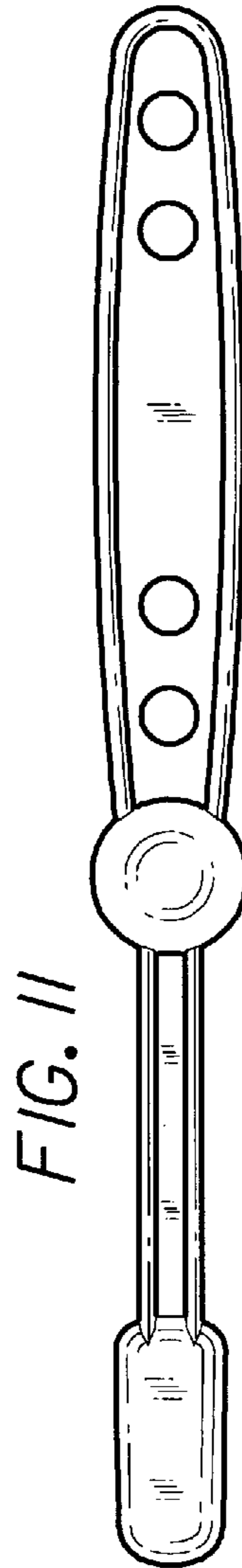
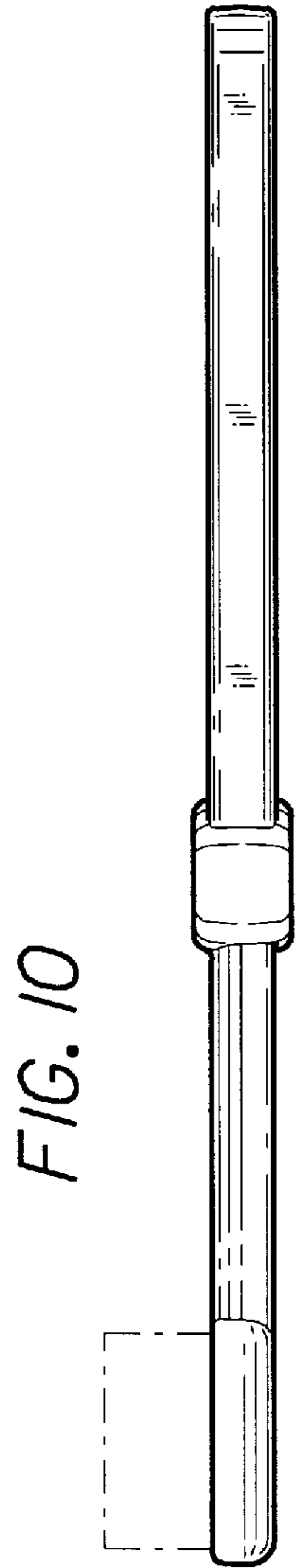
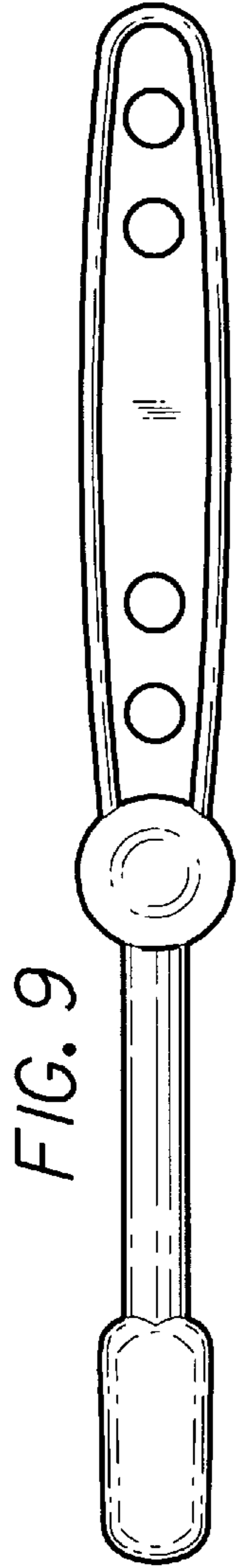


FIG. 14

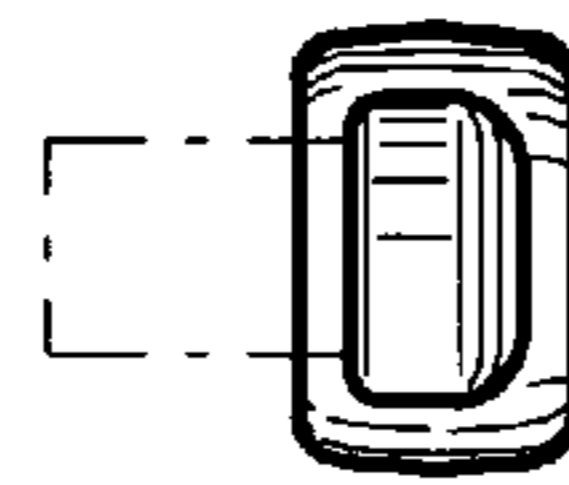
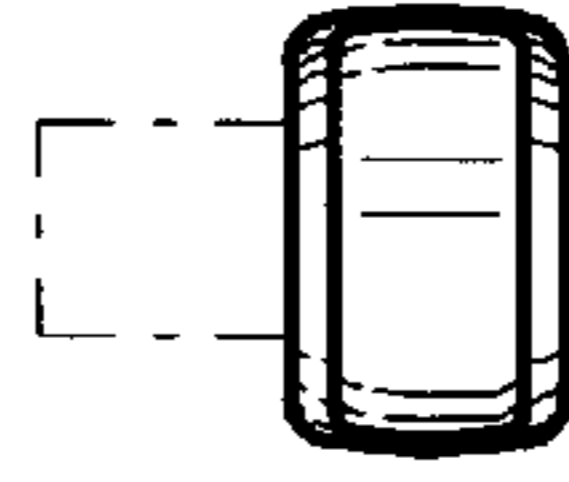


FIG. 13

FIG. 15

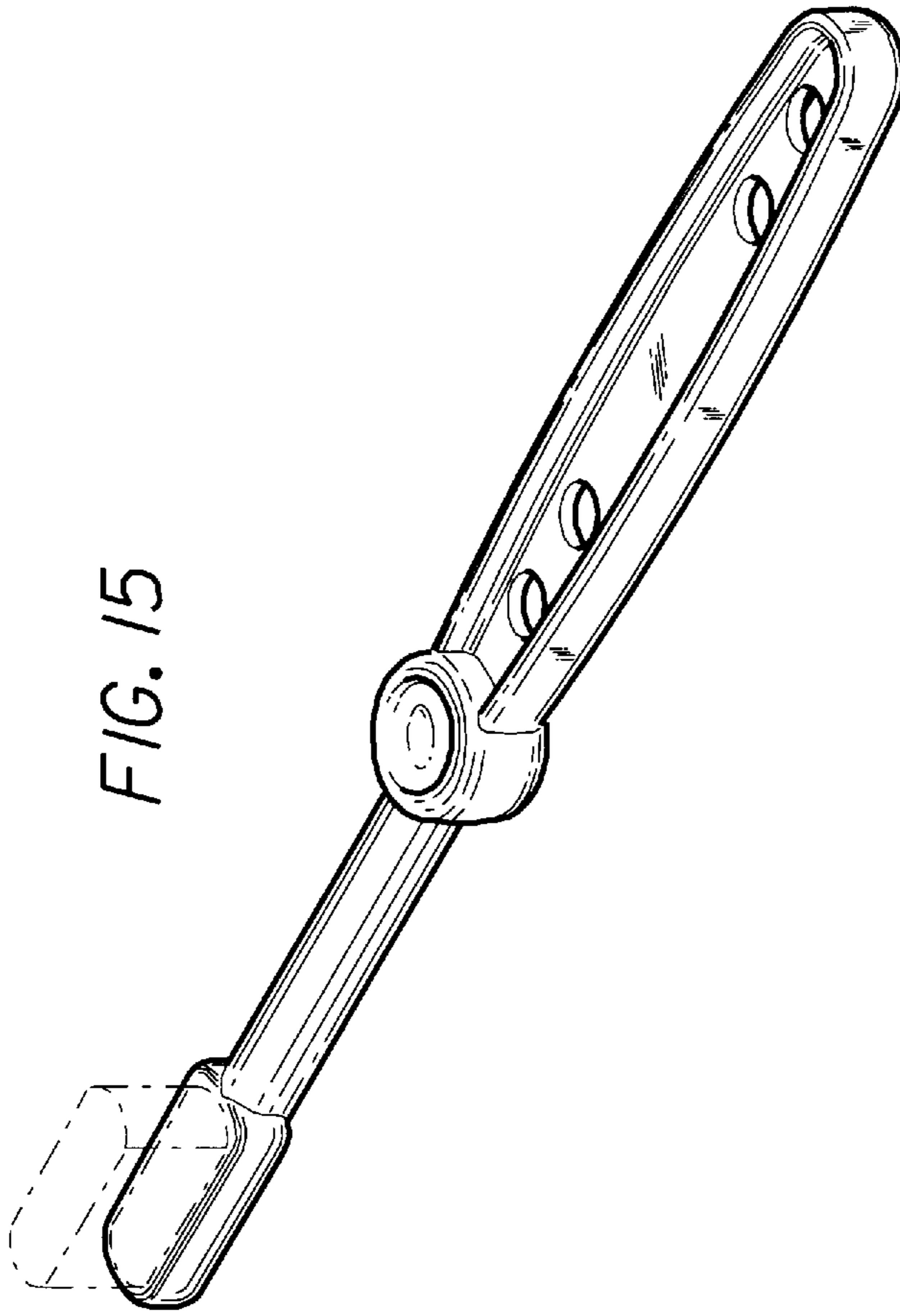


FIG. 16

