



US00D398127S

United States Patent [19]

Bergin et al.

[11] **Patent Number:** **Des. 398,127**

[45] **Date of Patent:** ****Sep. 8, 1998**

[54] **EDGE SUPPORTED SUPERMARKET CART CUPHOLDER**

D. 383,362	9/1997	Ayotte et al.	D7/620
5,330,145	7/1994	Evans et al.	248/311.2
5,362,077	11/1994	Adamson	280/33.992

[75] Inventors: **Peter W. A. Bergin**, Hopkins; **Bruce D. Clark**, Orono, both of Minn.

Primary Examiner—Kay H. Chin
Attorney, Agent, or Firm—Westman, Champlin & Kelly, P.A.

[73] Assignee: **MTS Northwest Sound, Inc.**, Minneapolis, Minn.

[57] **CLAIM**

[**] Term: **14 Years**

The ornamental design for an edge supported supermarket cart cupholder, as shown and described.

[21] Appl. No.: **73,136**

DESCRIPTION

[22] Filed: **Jul. 1, 1997**

[51] **LOC (6) Cl.** **12-02**

[52] **U.S. Cl.** **D34/27; D7/620**

[58] **Field of Search** D34/27; D7/619, D7/620, 622; 280/33.992; 248/311.2, 313, 295.1, DIG. 12; 224/544, 541, 564, 566, 483, 485, 926; 297/188.04, 188.01, 188.06, 188.2

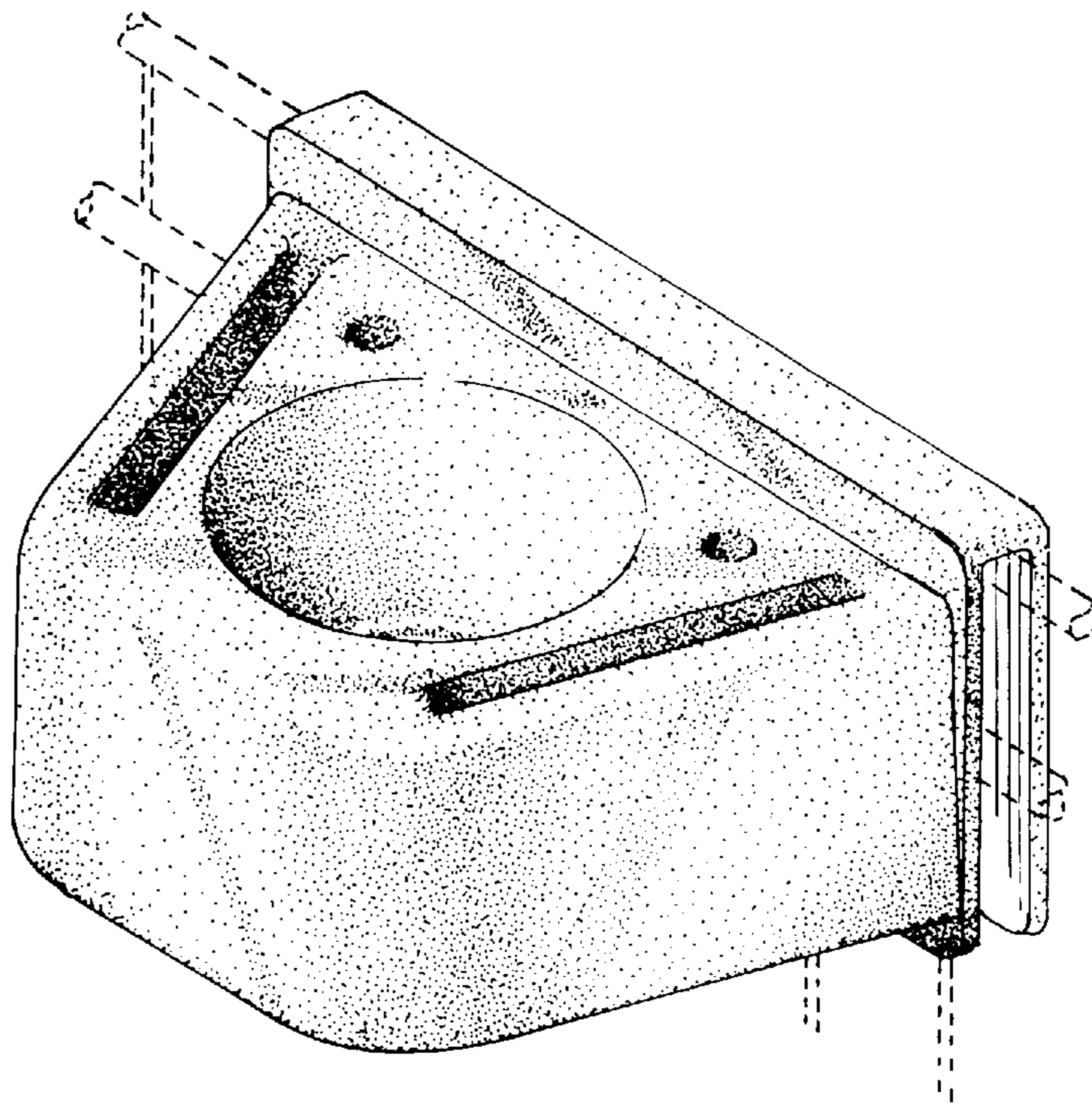
FIG. 1 is a perspective view of an edge supported supermarket cart cupholder embodying our new design; FIG. 2 is a top plan view thereof; FIG. 3 is a front elevational view thereof; FIG. 4 is a first side elevational view thereof; FIG. 5 is a second side elevational view thereof; FIG. 6 is a rear elevational view thereof; and, FIG. 7 is a bottom plan view thereof. FIG. 8 is an enlarged top perspective view thereof. The dotted line representations form no part of the claimed design.

[56] **References Cited**

U.S. PATENT DOCUMENTS

D. 368,628 4/1996 Bergin D7/620

1 Claim, 5 Drawing Sheets



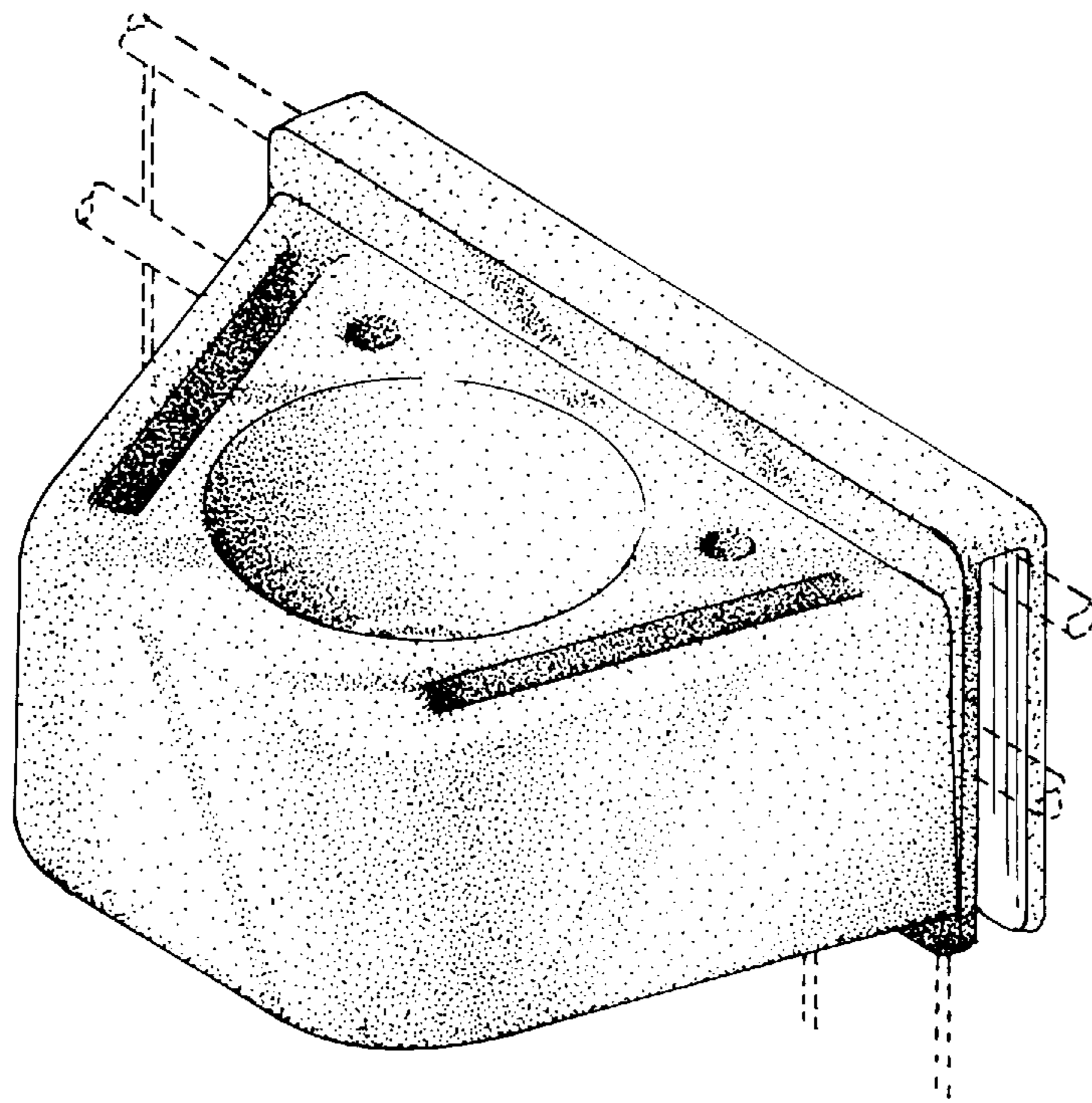


Fig. 1

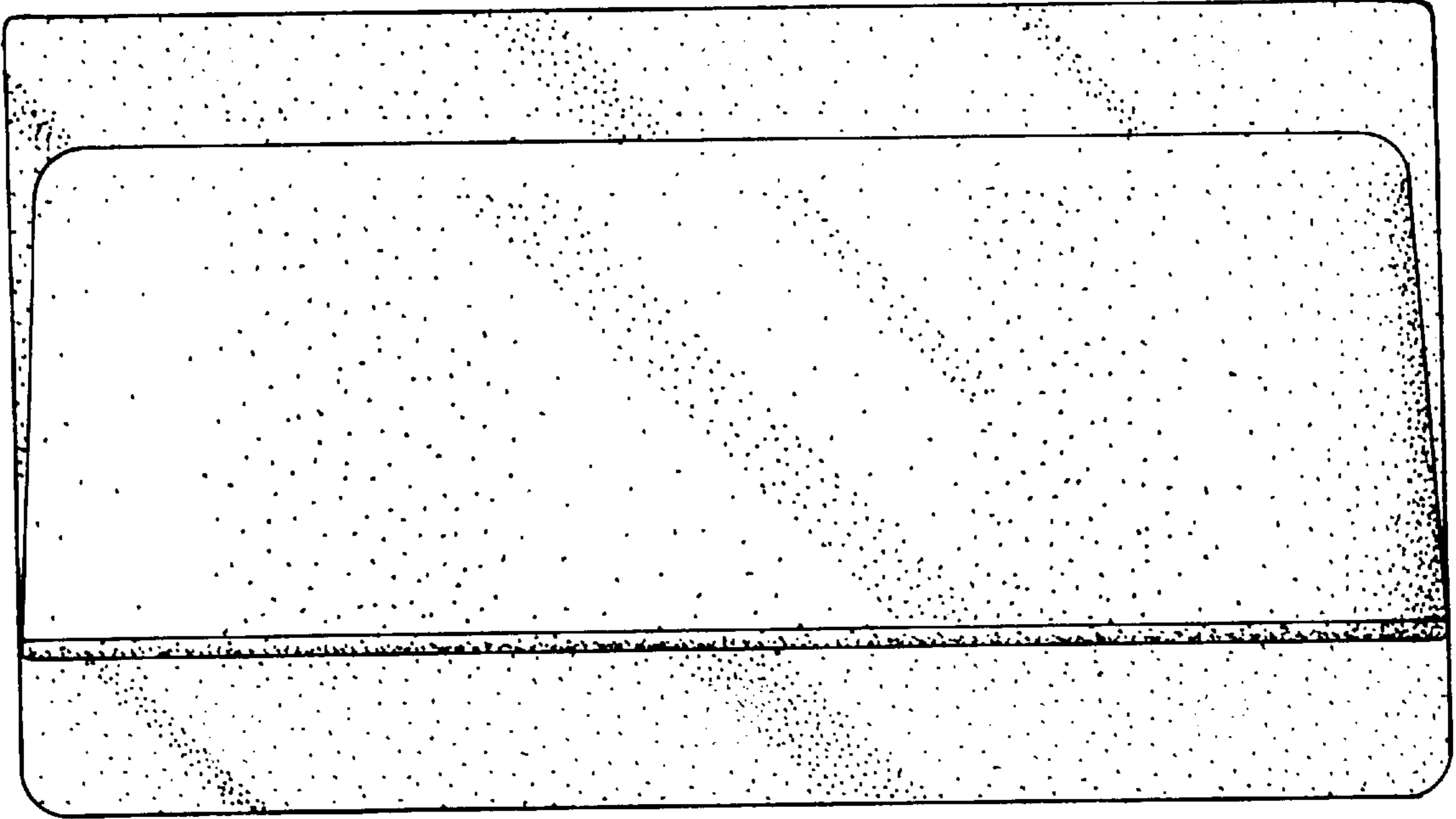


Fig. 3

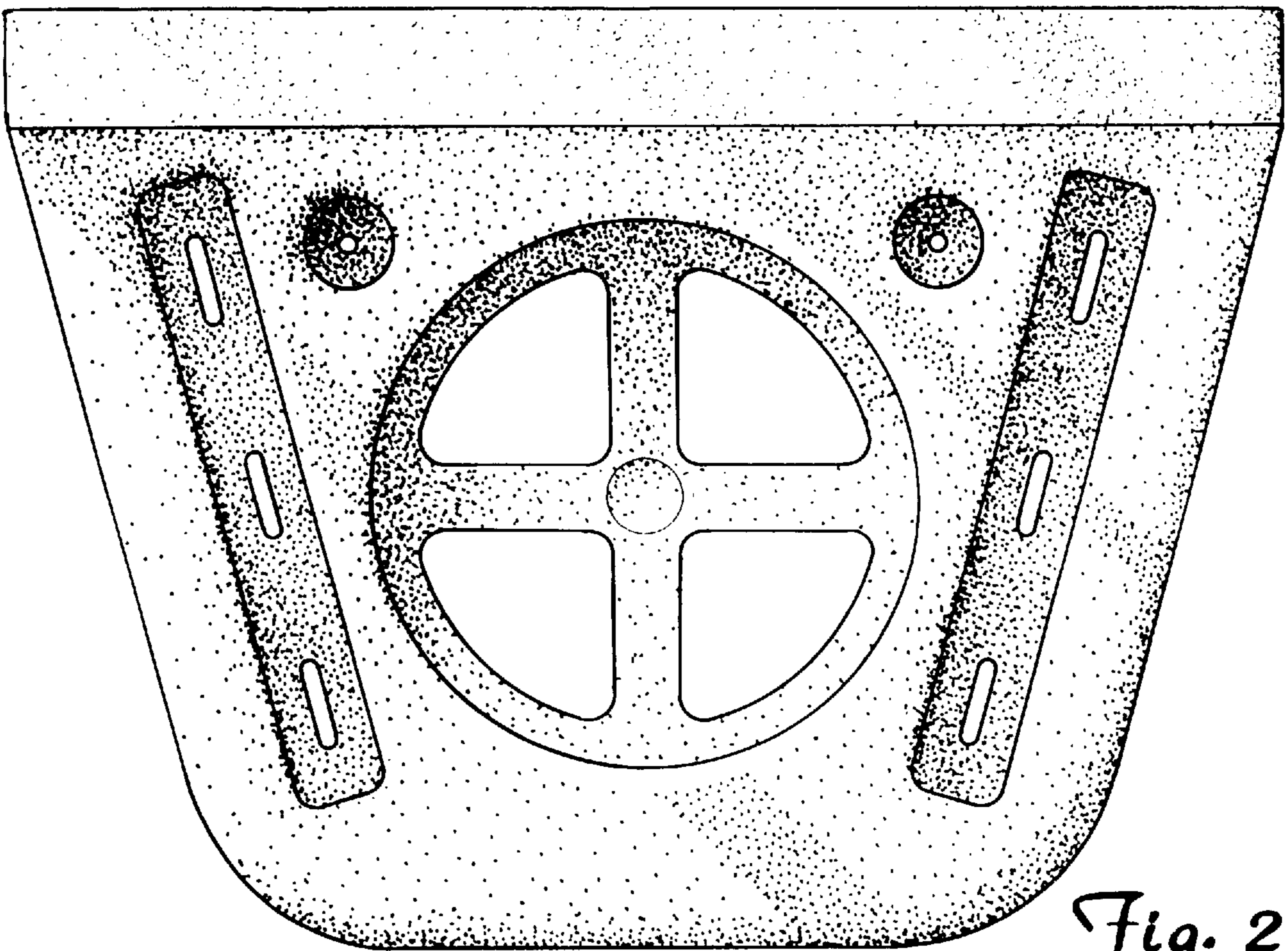


Fig. 2

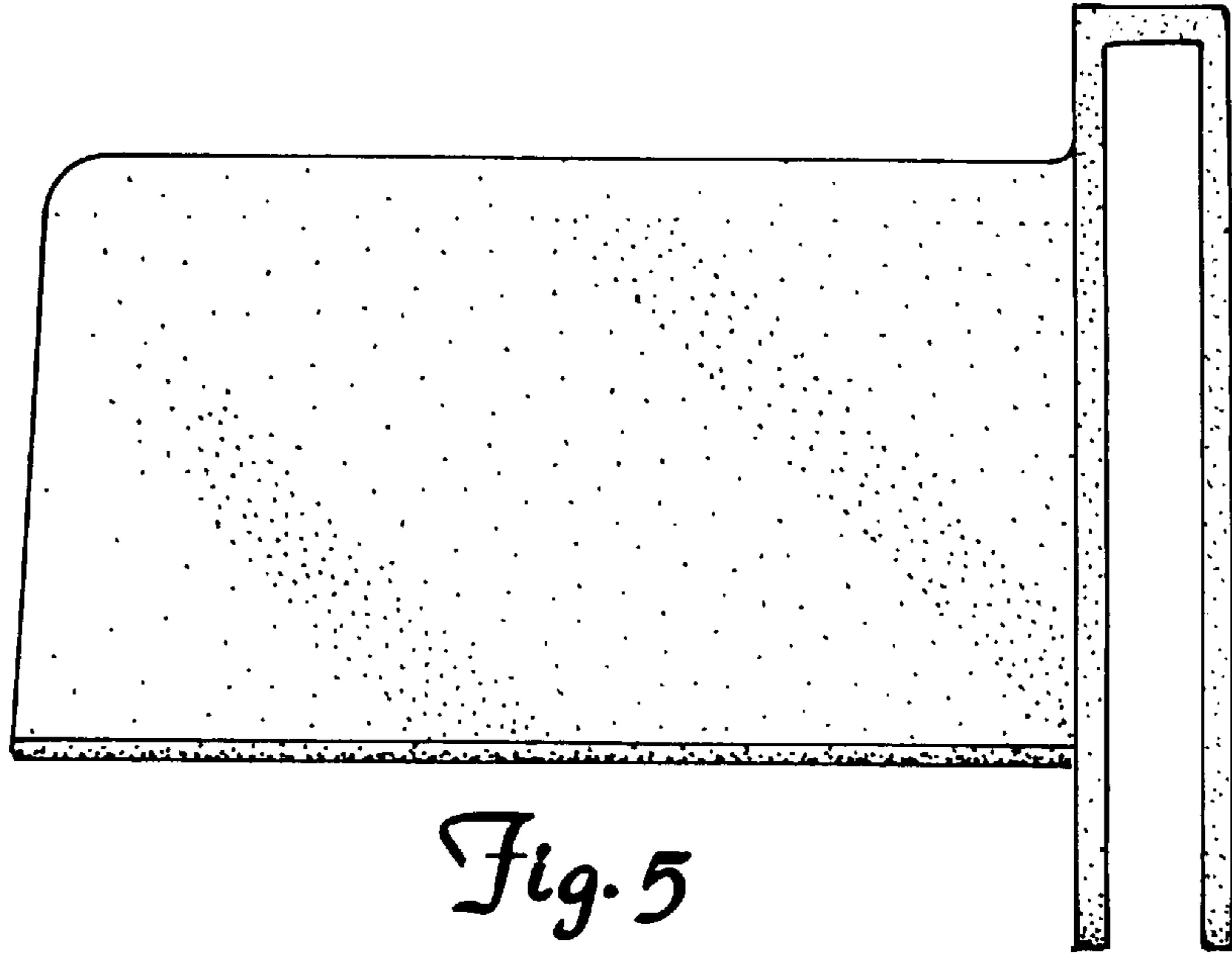


Fig. 5

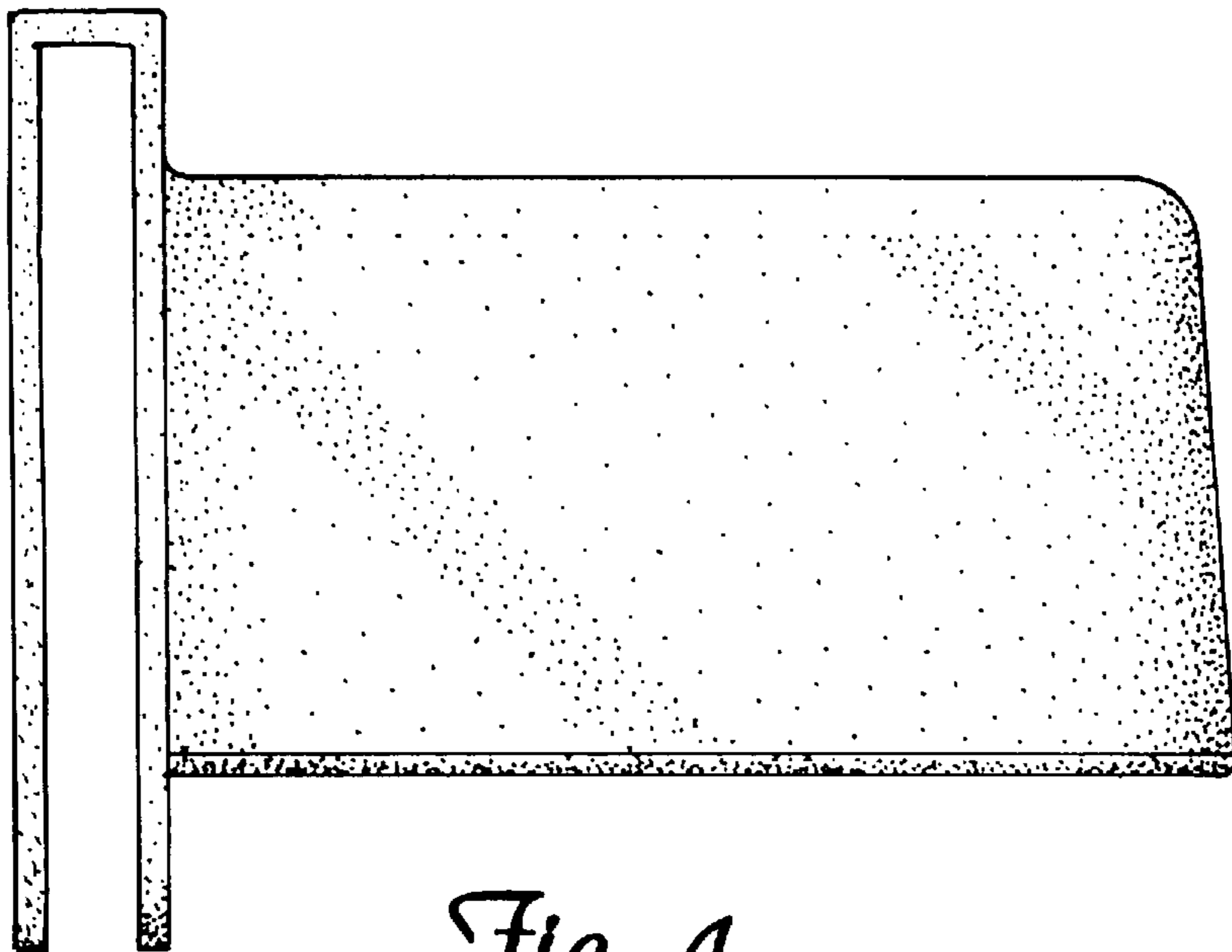


Fig. 4

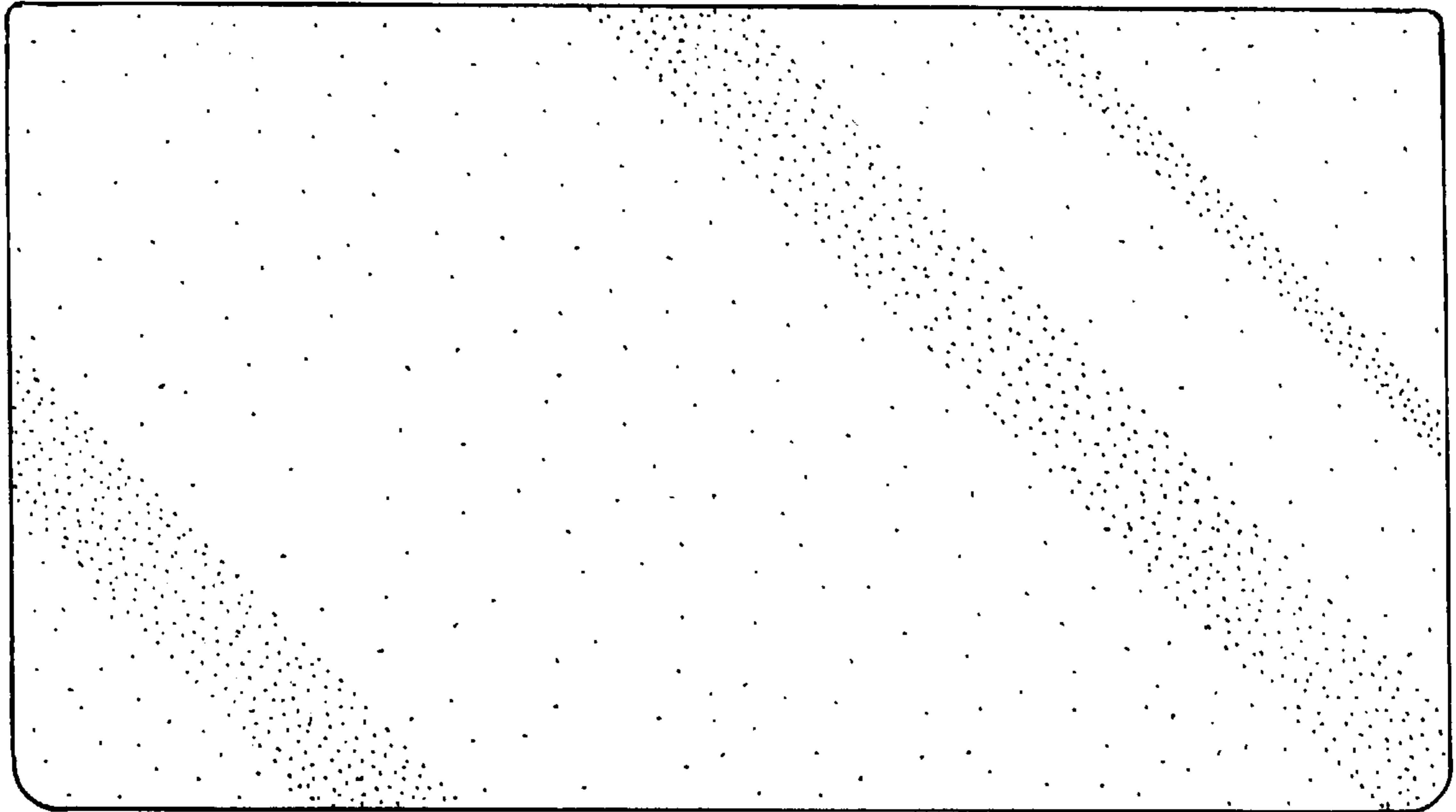


Fig. 6

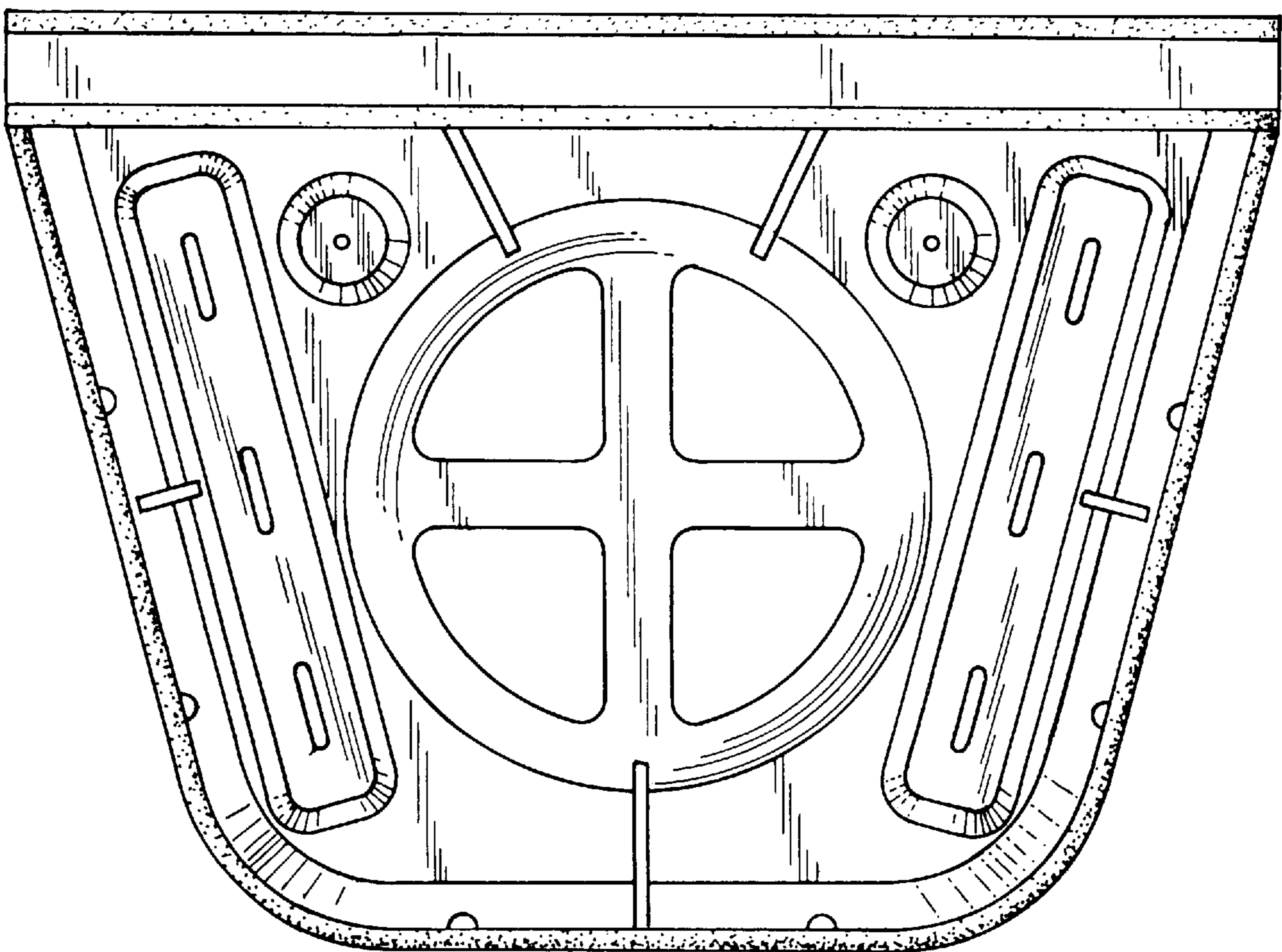


Fig. 7

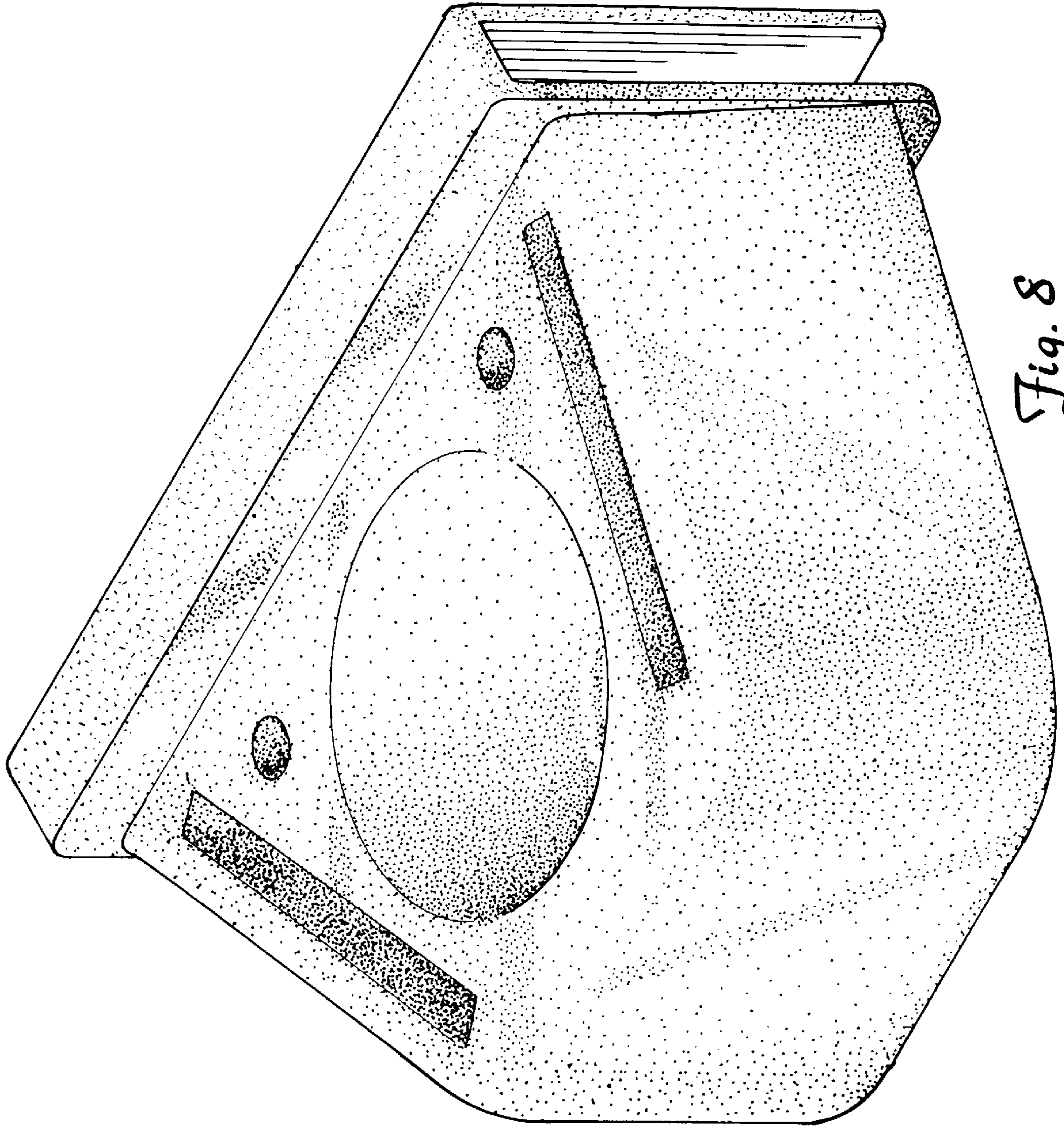


Fig. 8