



US00D398126S

# United States Patent [19] Hagan

[11] **Patent Number:** **Des. 398,126**

[45] **Date of Patent:** **\*\*Sep. 8, 1998**

[54] **MANIPULATING APPARATUS FOR A CONVEYOR**

[76] Inventor: **James C. Hagan**, 5425 Chatelaine Cir., Reno, Nev. 89511

[\*\*] Term: **14 Years**

[21] Appl. No.: **73,473**

[22] Filed: **Jul. 9, 1997**

[51] **LOC (6) Cl.** ..... **12-05**

[52] **U.S. Cl.** ..... **D34/29; D34/35**

[58] **Field of Search** ..... D34/28, 29, 35; 198/429, 430, 727, 728, 731, 734

[56] **References Cited**

**U.S. PATENT DOCUMENTS**

D. 347,918	6/1994	Gibbs	.....	D34/9
3,365,857	1/1968	Liedtke	.....	198/429
3,993,183	11/1976	Stengle	.....	198/429

*Primary Examiner*—Alan P. Douglas  
*Assistant Examiner*—Robin V. Taylor  
*Attorney, Agent, or Firm*—Worrel & Worrel

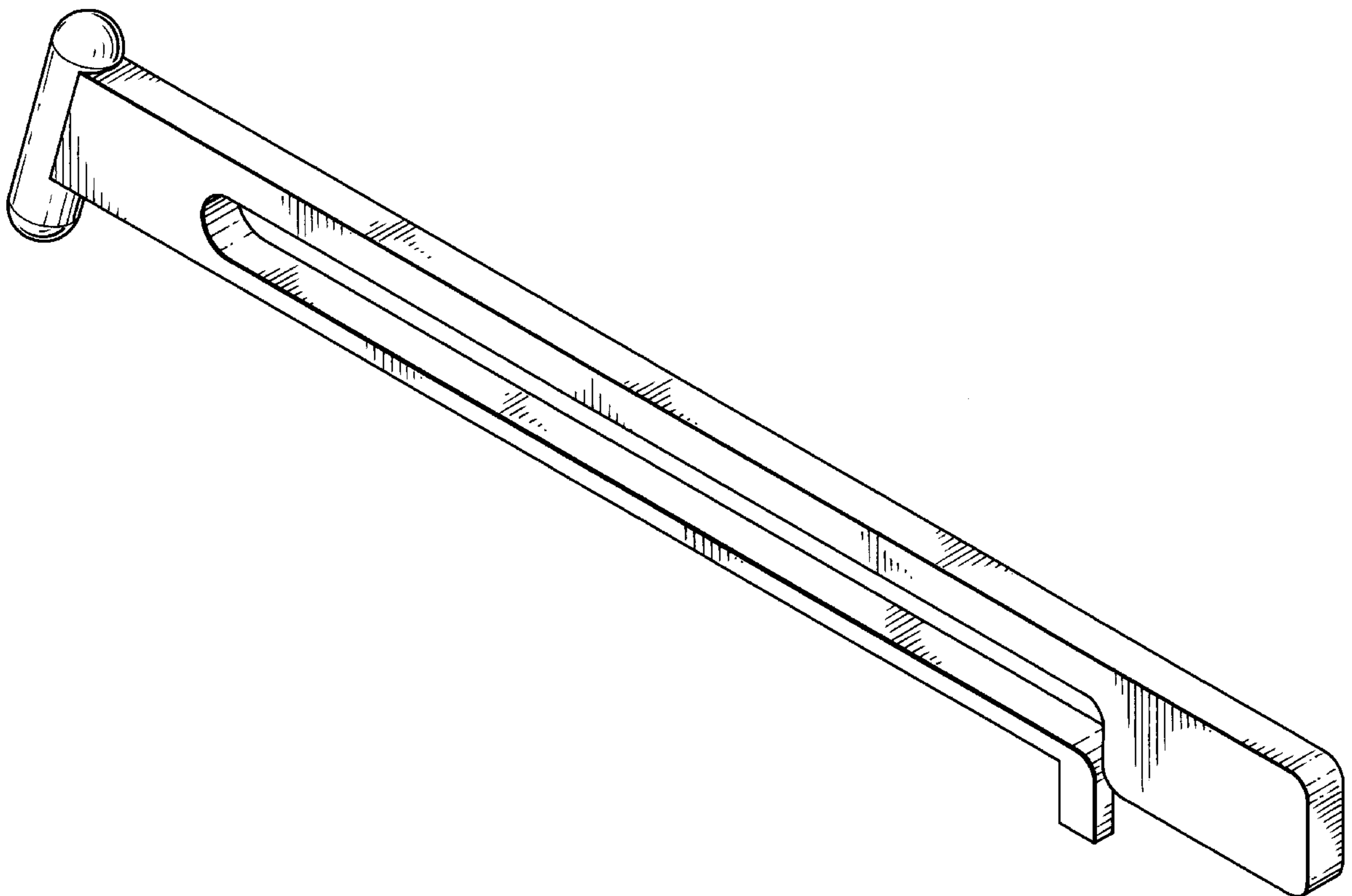
[57] **CLAIM**

The ornamental design for the manipulating apparatus for a conveyor, as shown and described.

**DESCRIPTION**

FIG. 1 is a perspective view of the manipulating apparatus showing my new design;  
FIG. 2 is a front elevational view thereof;  
FIG. 3 is a rear elevational view thereof;  
FIG. 4 is a top plan view thereof;  
FIG. 5 is a side elevational view thereof;  
FIG. 6 is a bottom plan view thereof; and,  
FIG. 7 is a side elevational view thereof showing the side opposite to that shown in FIG. 5.

**1 Claim, 2 Drawing Sheets**



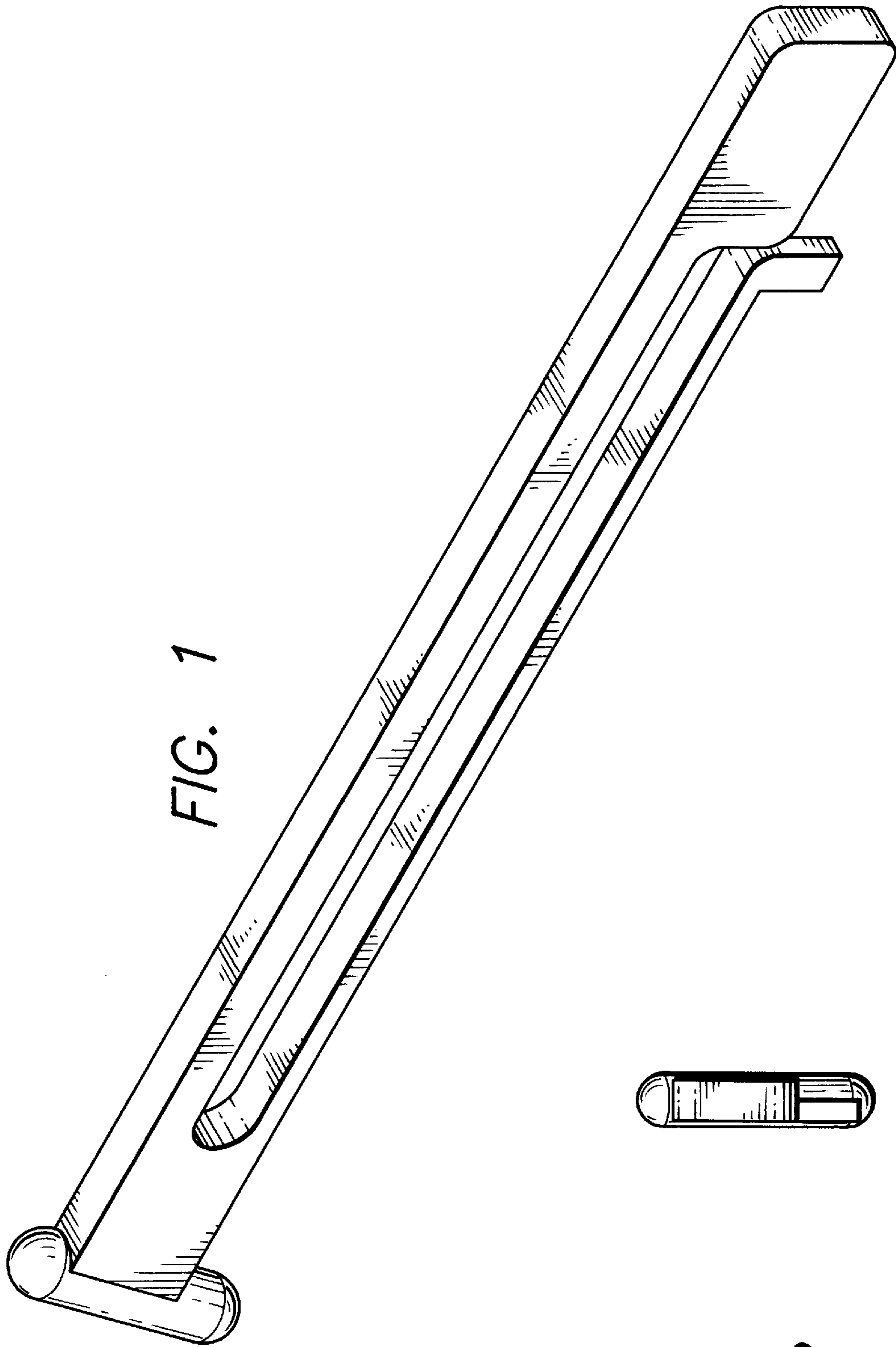


FIG. 1

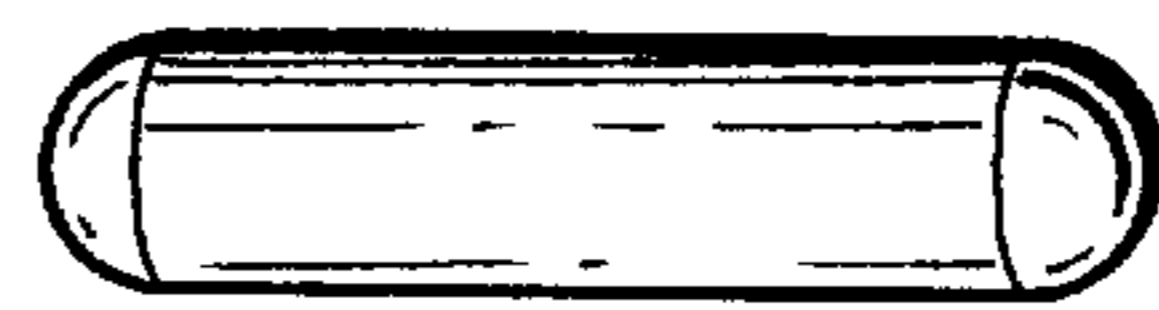


FIG. 2

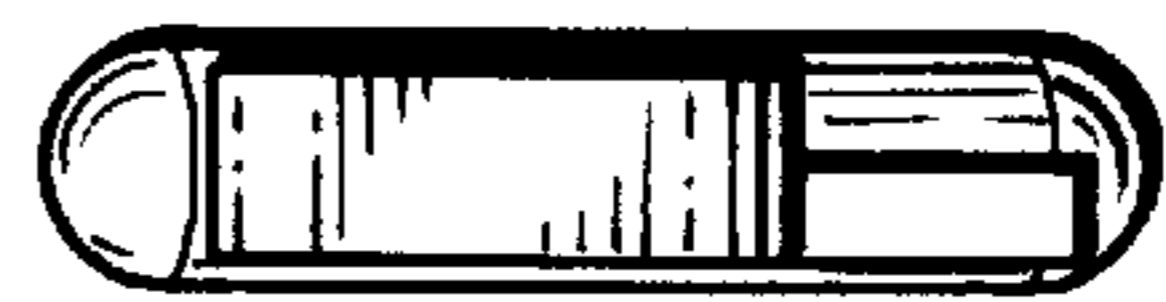


FIG. 3

FIG. 4

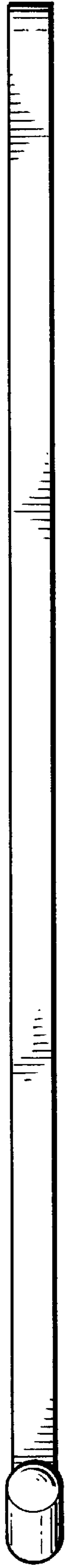


FIG. 5

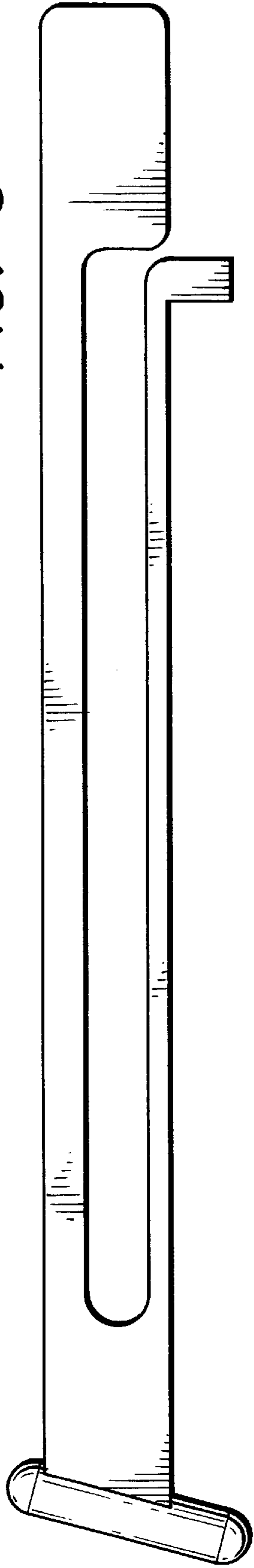


FIG. 6



FIG. 7

