



US00D398124S

**United States Patent** [19]  
**Schultz et al.**

[11] **Patent Number: Des. 398,124**

[45] **Date of Patent: \*\*Sep. 8, 1998**

[54] **MECHANICAL CREEPER**

[76] Inventors: **Jeff L. Schultz**, R.R. 2 Box 125 B;  
**Johnie L. Schultz**, R.R. 2, Box 134,  
both of Ewing, Mo. 63440

[\*\*] Term: **14 Years**

[21] Appl. No.: **77,835**

[22] Filed: **Oct. 9, 1997**

[51] **LOC (6) Cl.** ..... **12-02**

[52] **U.S. Cl.** ..... **D34/23**

[58] **Field of Search** ..... D34/12-27; 280/32.6,  
280/32.5, 79.7, 79.11, 79.3

[56] **References Cited**

**U.S. PATENT DOCUMENTS**

D. 360,514	7/1995	Cellingridge et al. ....	D34/23
5,213,350	5/1993	Hermanson .....	280/32.6
5,397,139	3/1995	Simpson .....	280/32.6

*Primary Examiner*—Kay H. Chin

*Attorney, Agent, or Firm*—Mark E. Wiemelt

[57] **CLAIM**

The ornamental design for a mechanical creeper, as shown and described.

**DESCRIPTION**

FIG. 1 is a perspective view of the mechanical creeper of my design;

FIG. 2 is a top view thereof;

FIG. 3 is a bottom view thereof;

FIG. 4 is a front view thereof;

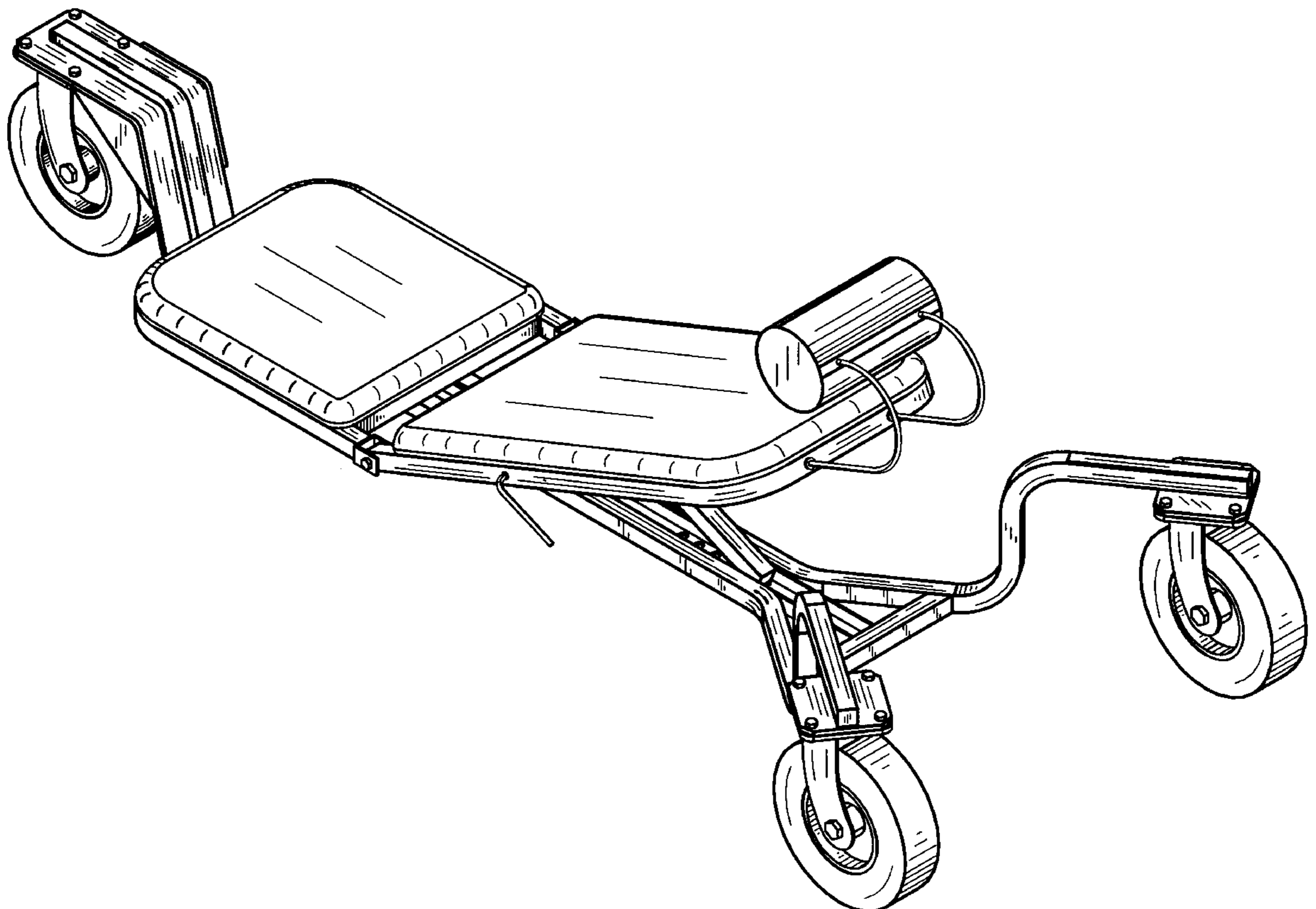
FIG. 5 is a rear view thereof;

FIG. 6 is a side elevational view thereof showing the seat back in a first position, the opposite side view being a mirror image of that shown;

FIG. 7 is a side elevational view thereof showing the seat back in a second position; and,

FIG. 8 is a side elevational view thereof showing the seat back in a third position.

**1 Claim, 4 Drawing Sheets**



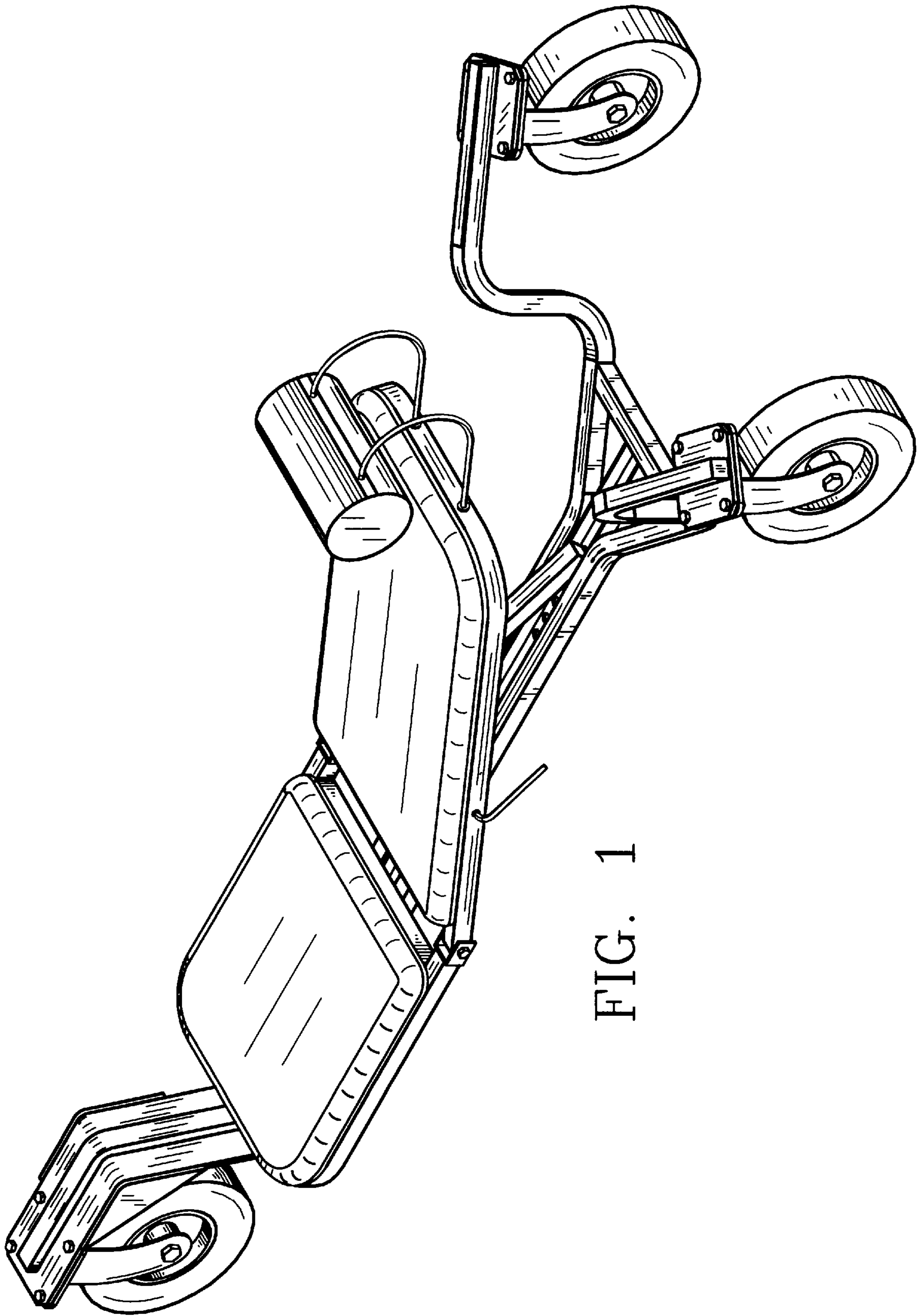


FIG. 1

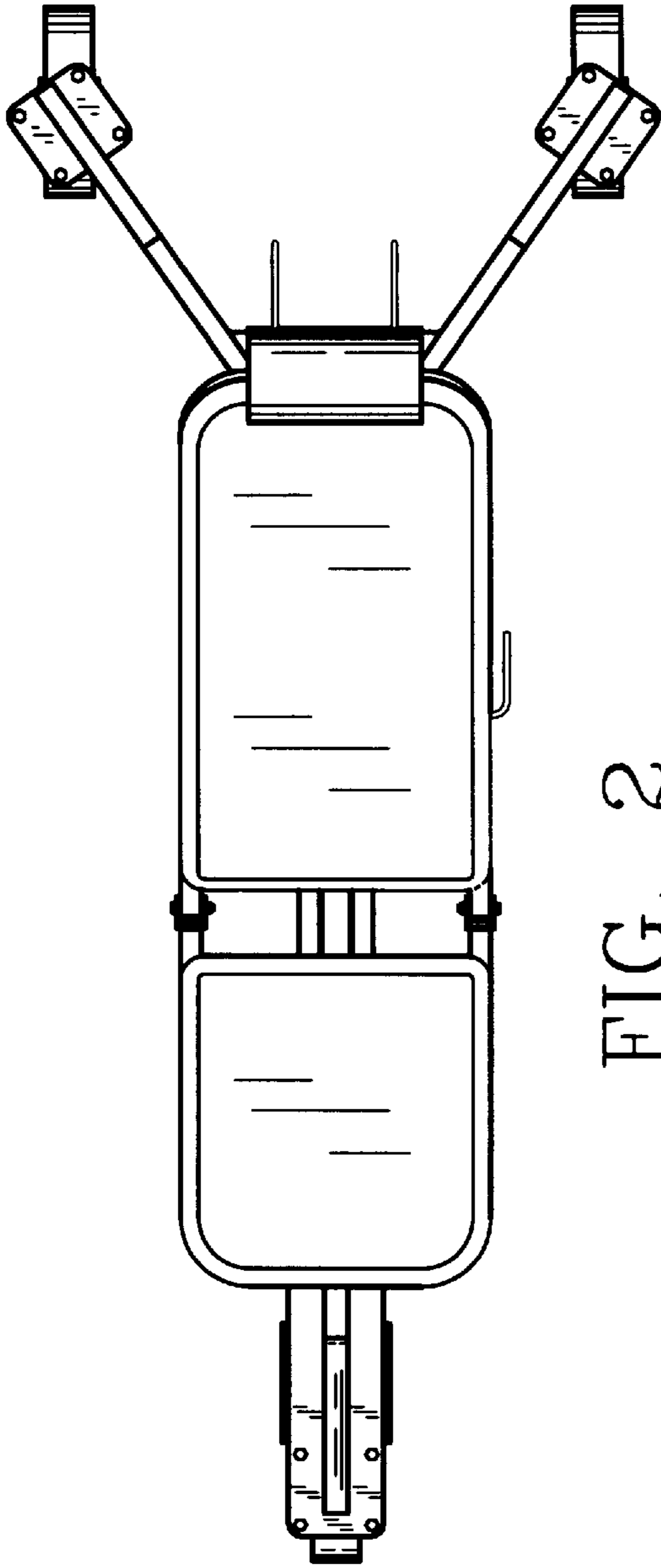


FIG. 2

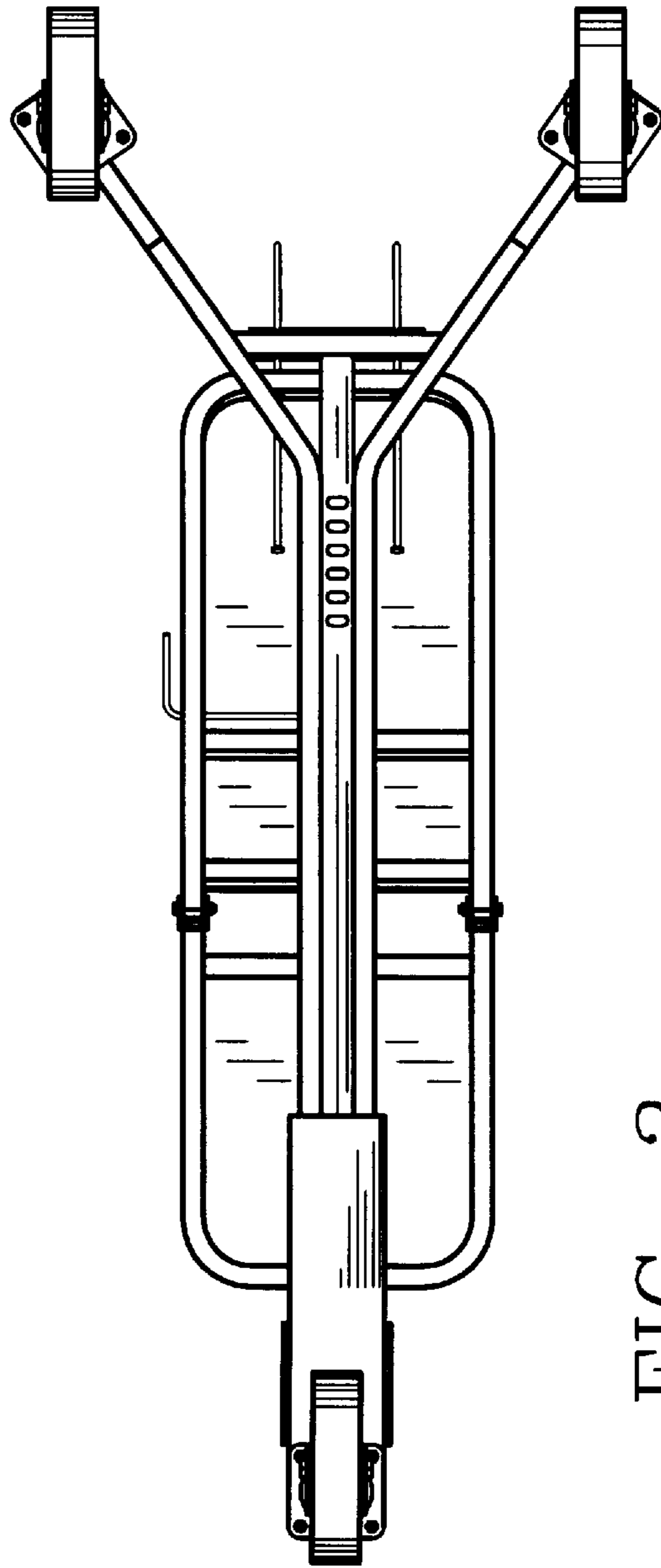


FIG. 3

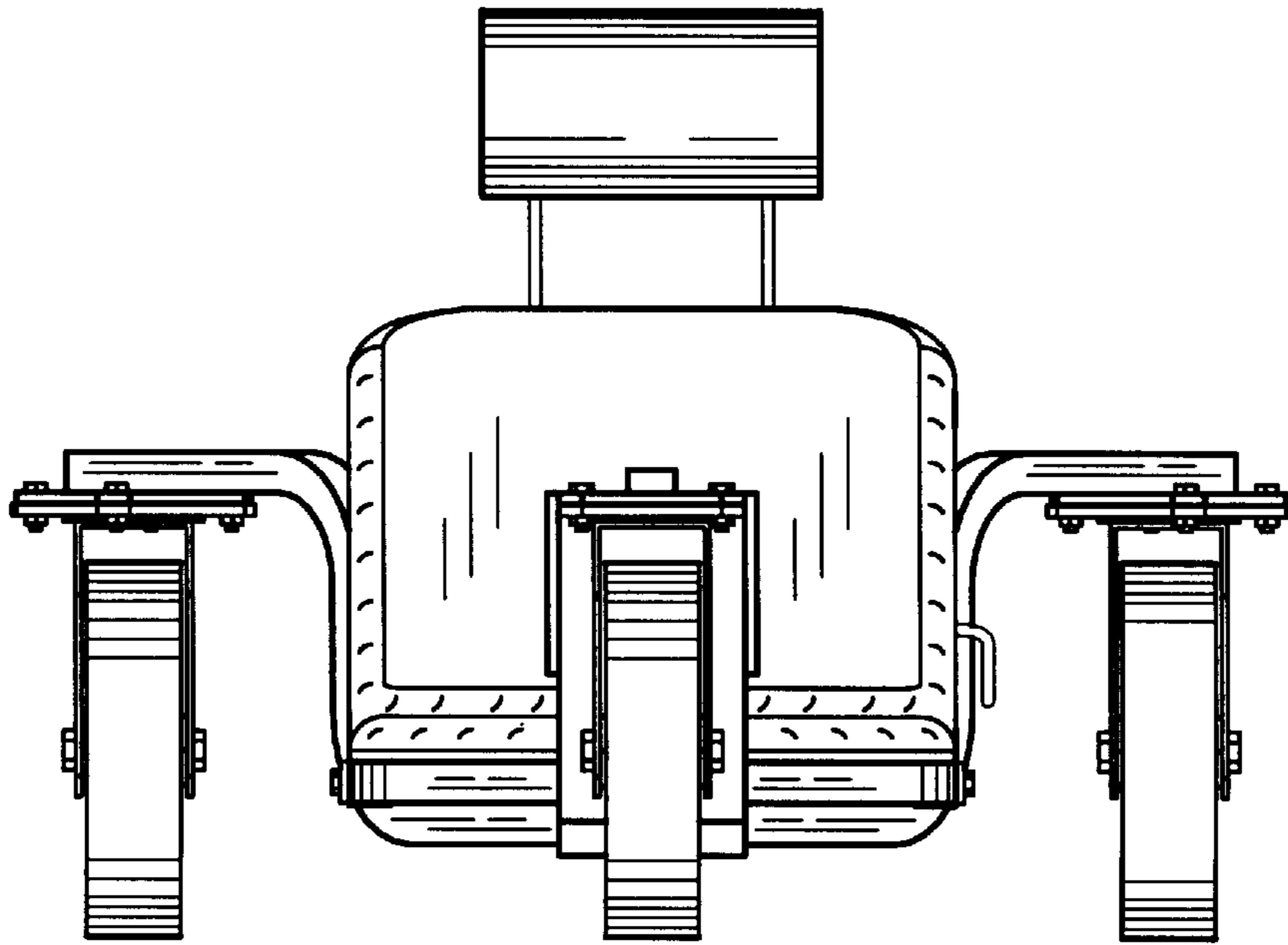


FIG. 4

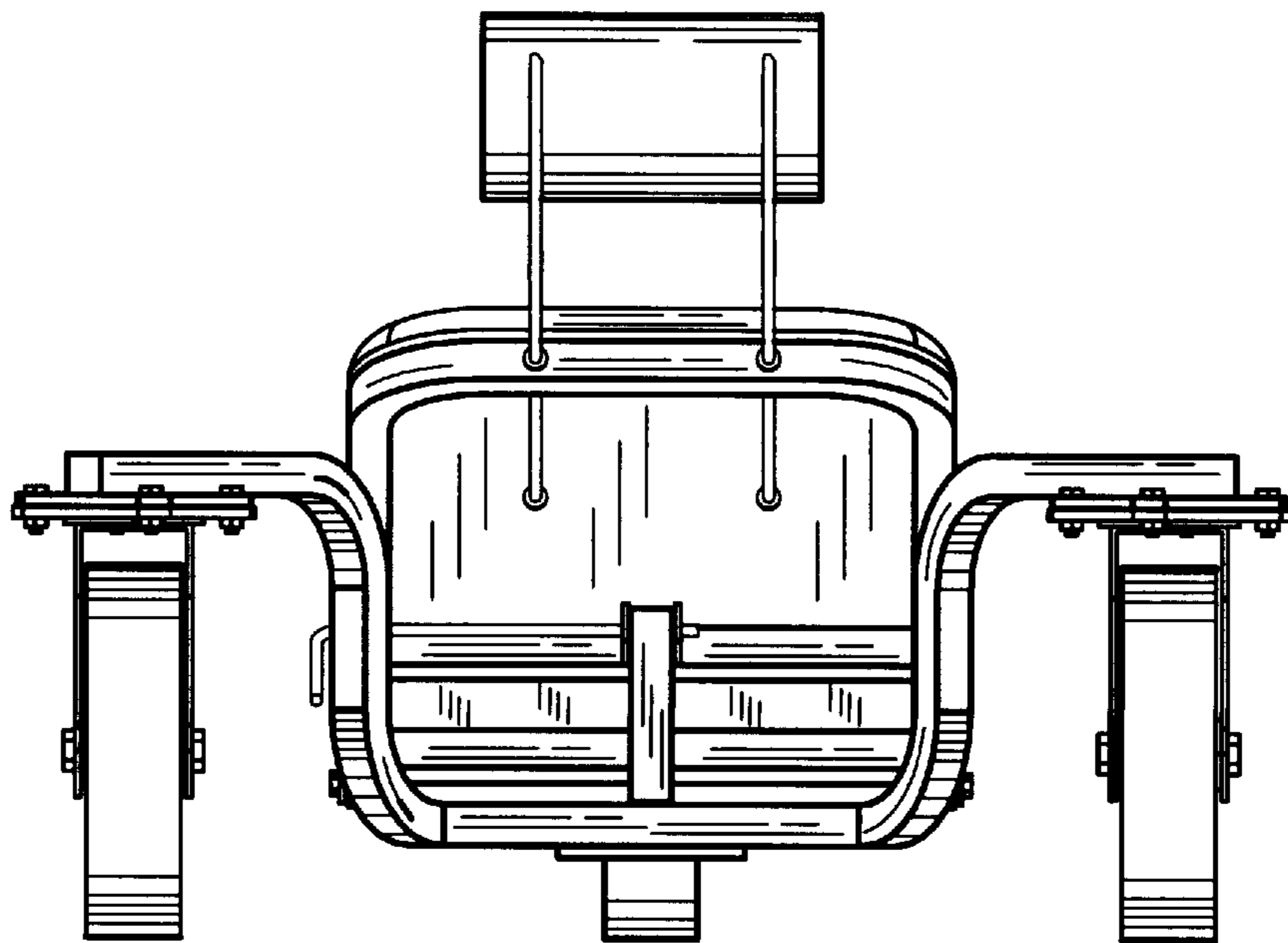


FIG. 5

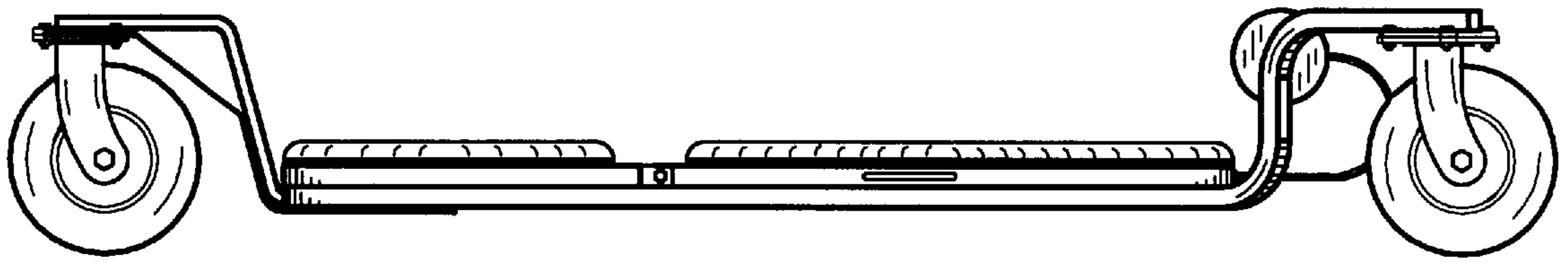


FIG. 6

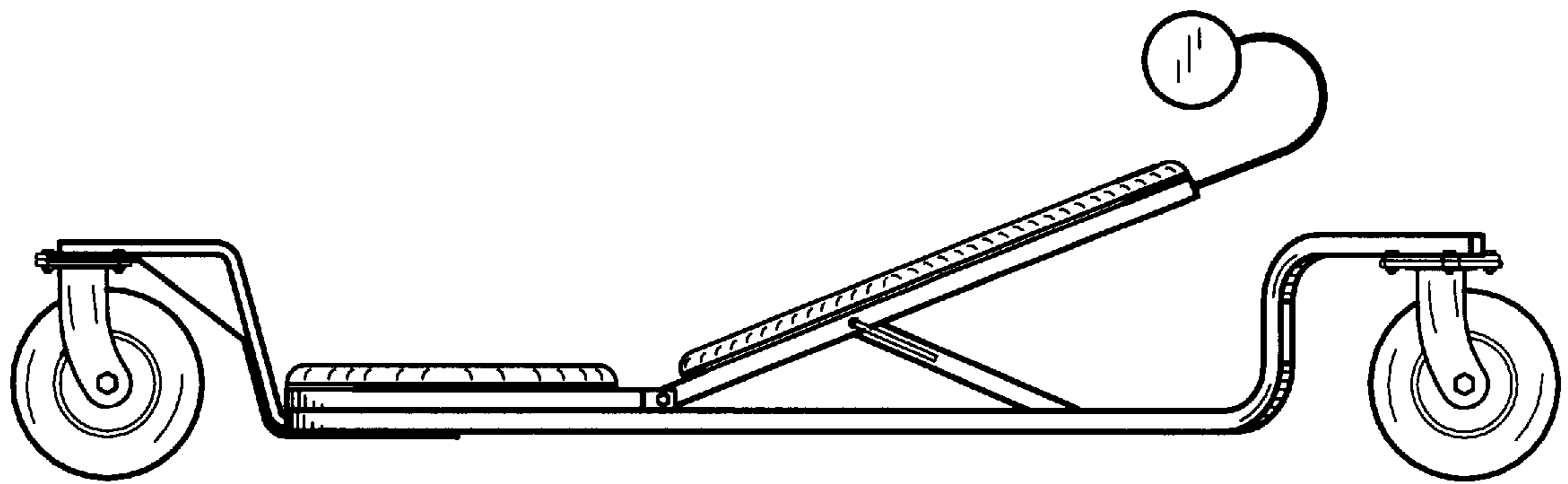


FIG. 7

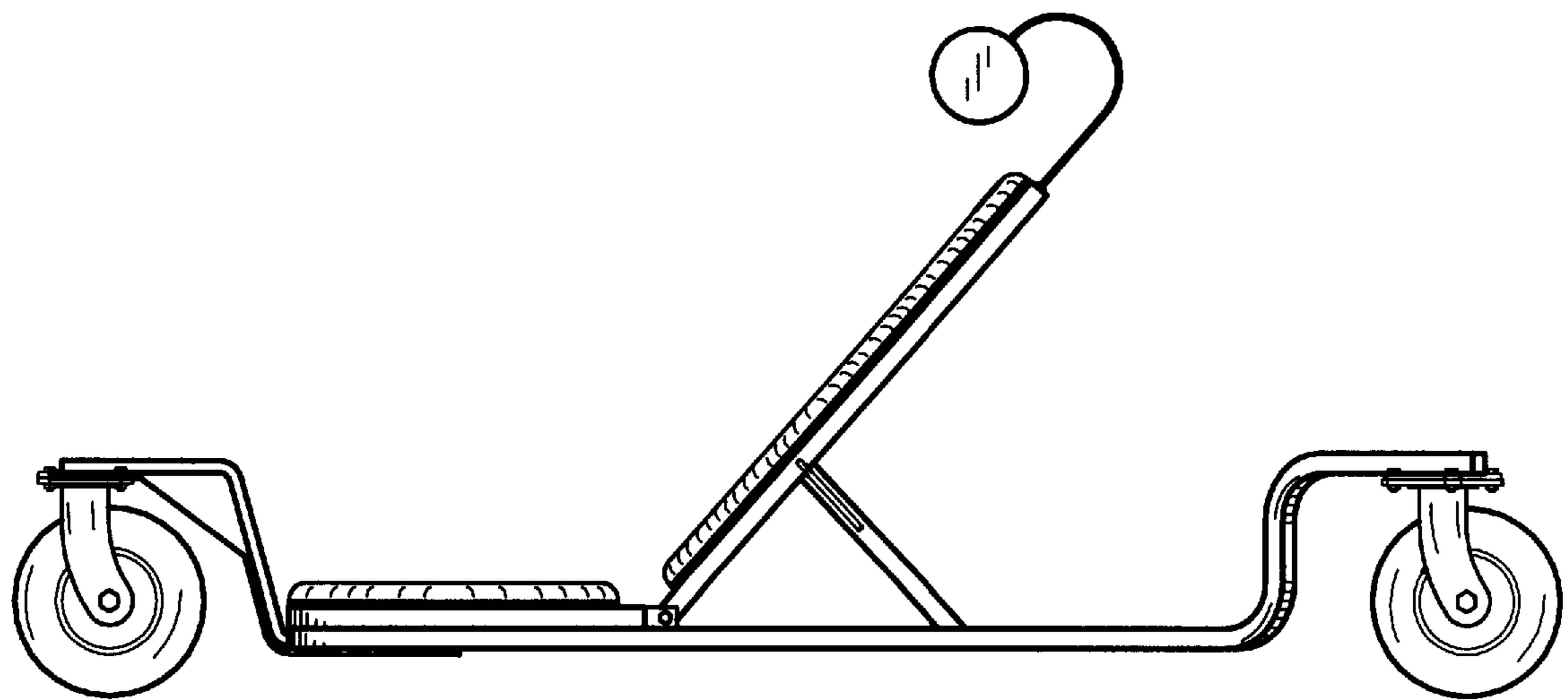


FIG. 8