



US00D398123S

United States Patent [19]

Dell et al.

[11] Patent Number: **Des. 398,123**

[45] Date of Patent: ****Sep. 8, 1998**

[54] **MOBILE WORKSTATION**

[75] Inventors: **John J. Dell**, Upper St. Clair; **H. Mark Hall**, Pittsburgh, both of Pa.

[73] Assignee: **Sculptor Developmental Technologies, Inc.**, Pittsburgh, Pa.

[**] Term: **14 Years**

[21] Appl. No.: **59,553**

[22] Filed: **Sep. 12, 1996**

[51] **LOC (6) Cl.** **12-02**

[52] **U.S. Cl.** **D34/19; D6/397; D6/421; D34/12**

[58] **Field of Search** **D34/12-28; 312/290, 312/210.5, 237, 305; D6/397, 421; 280/79.2, 47.35; 248/917**

[56] **References Cited**

U.S. PATENT DOCUMENTS

- D. 233,499 11/1974 Sakata D6/397
- D. 251,969 5/1979 Tucky D34/19
- D. 257,706 12/1980 Liebman D6/397

- D. 357,781 4/1995 Crinion .
- 2,166,633 7/1939 Hardy D6/397 X
- 3,001,843 9/1961 Davis D6/397 X
- 3,940,136 2/1976 Runte 248/917 X
- 4,828,208 5/1989 Peterson et al. .
- 4,922,836 5/1990 Damico .
- 5,011,227 4/1991 van Hekken et al. .
- 5,289,782 3/1994 Rizzi et al. .

Primary Examiner—Kay H. Chin
Attorney, Agent, or Firm—Buchanan Ingersoll, P.C.

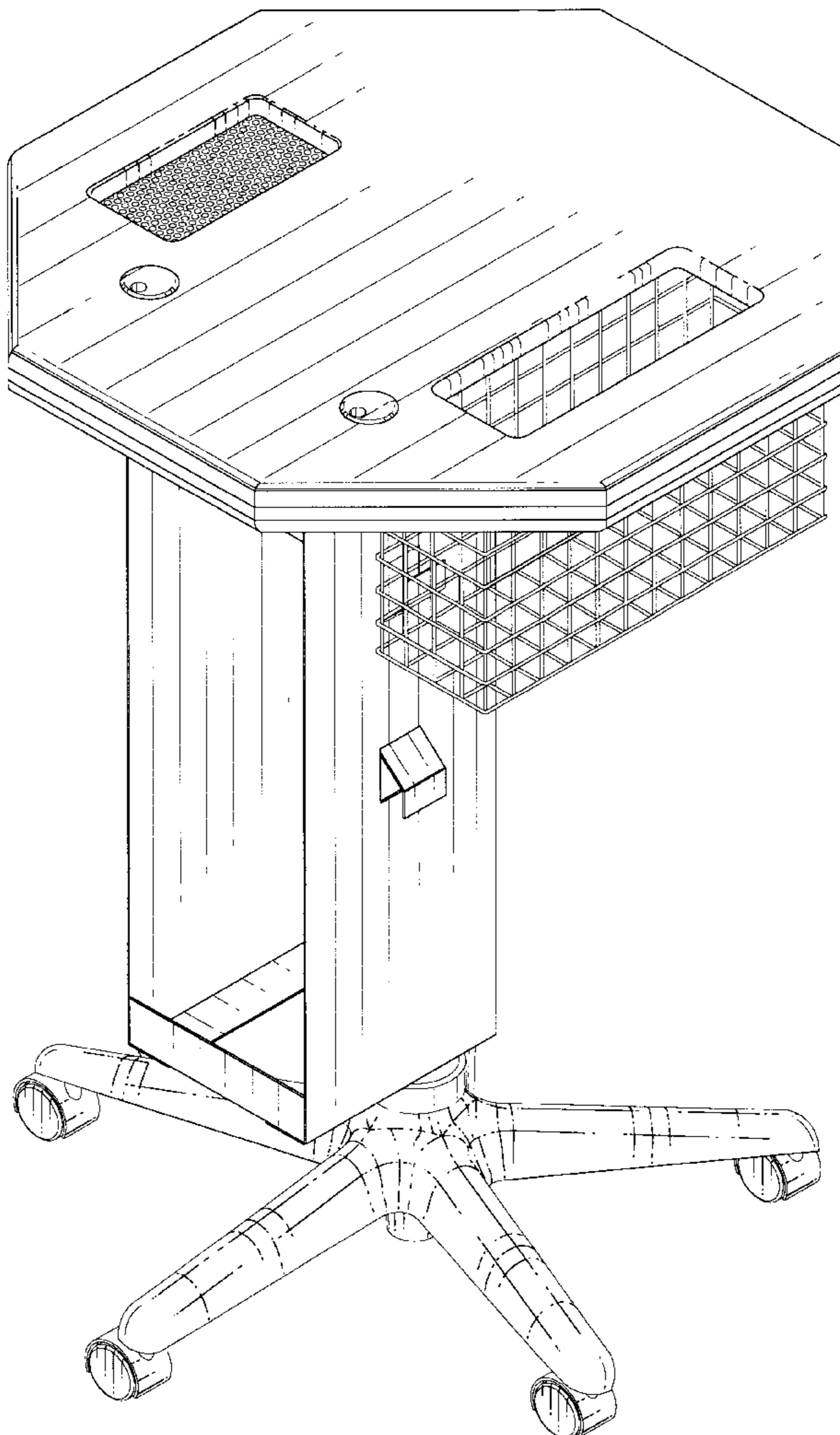
[57] **CLAIM**

The ornamental design for a mobile workstation, as shown and described.

DESCRIPTION

FIG. 1 is a perspective view of a mobile workstation showing our new design;
FIG. 2 is a front elevational view thereof;
FIG. 3 is a rear elevational view thereof;
FIG. 4 is a left side elevational view thereof;
FIG. 5 is a right side elevational view thereof;
FIG. 6 is a top plan view thereof; and,
FIG. 7 is a bottom plan view thereof.

1 Claim, 7 Drawing Sheets



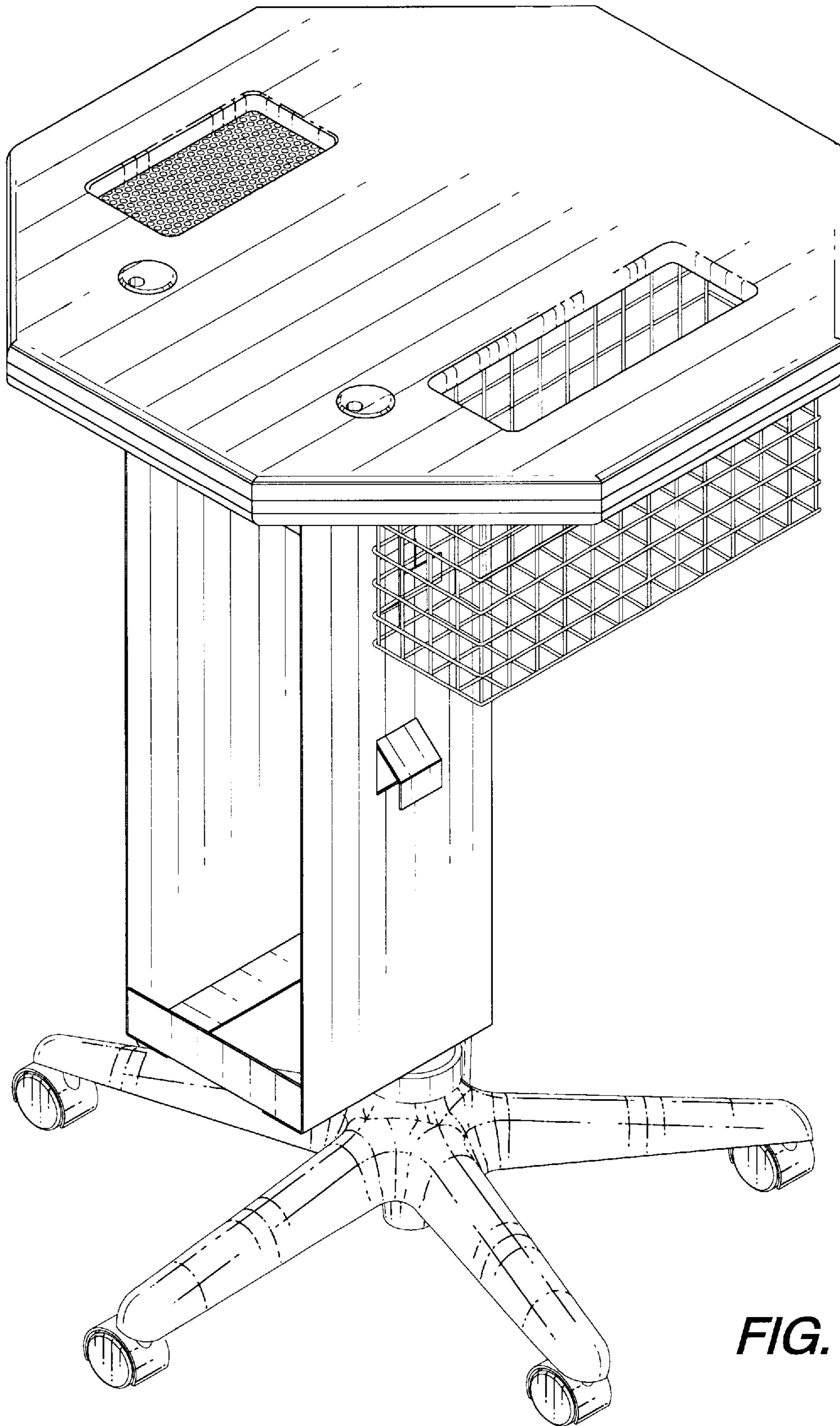


FIG. 1

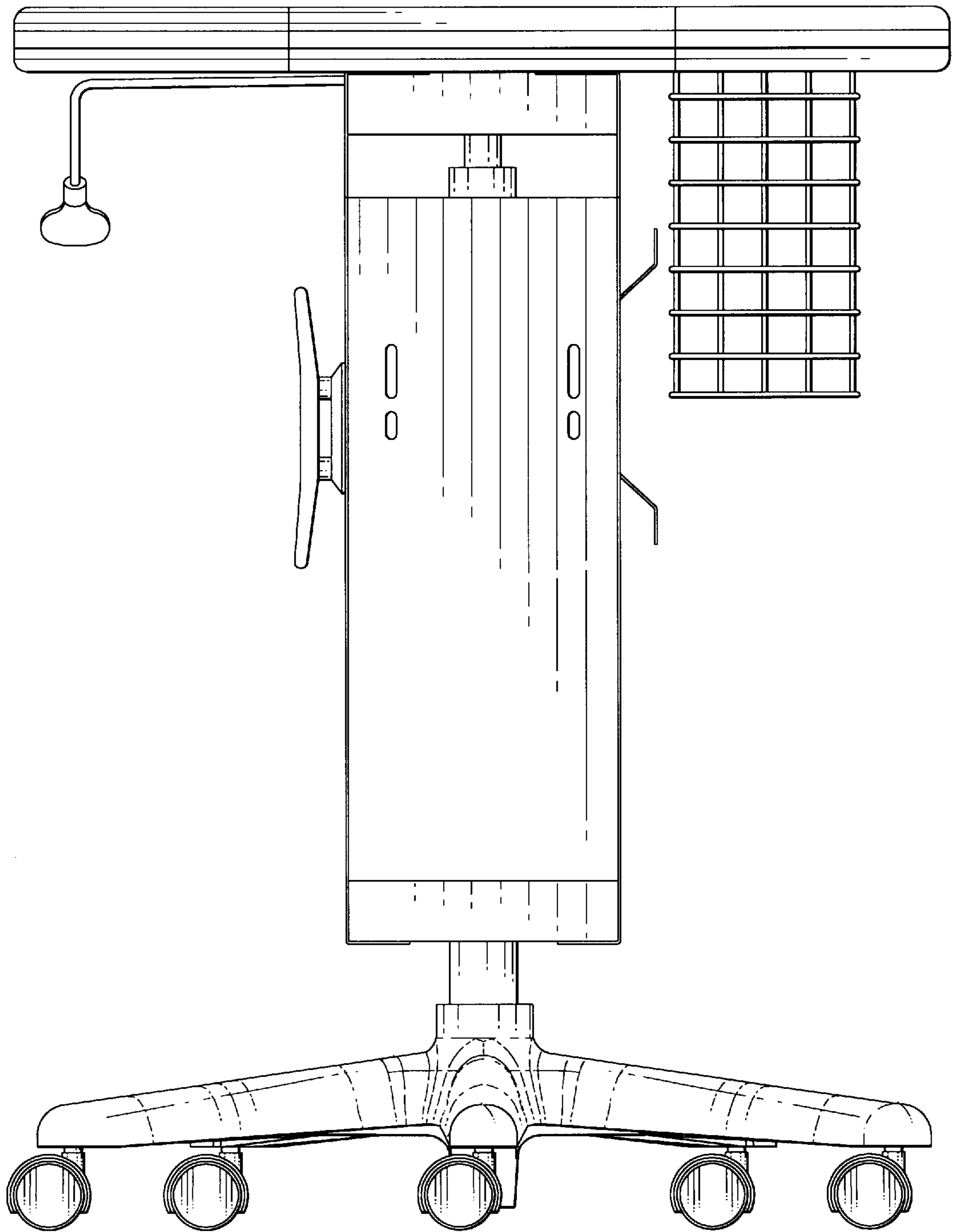


FIG. 2

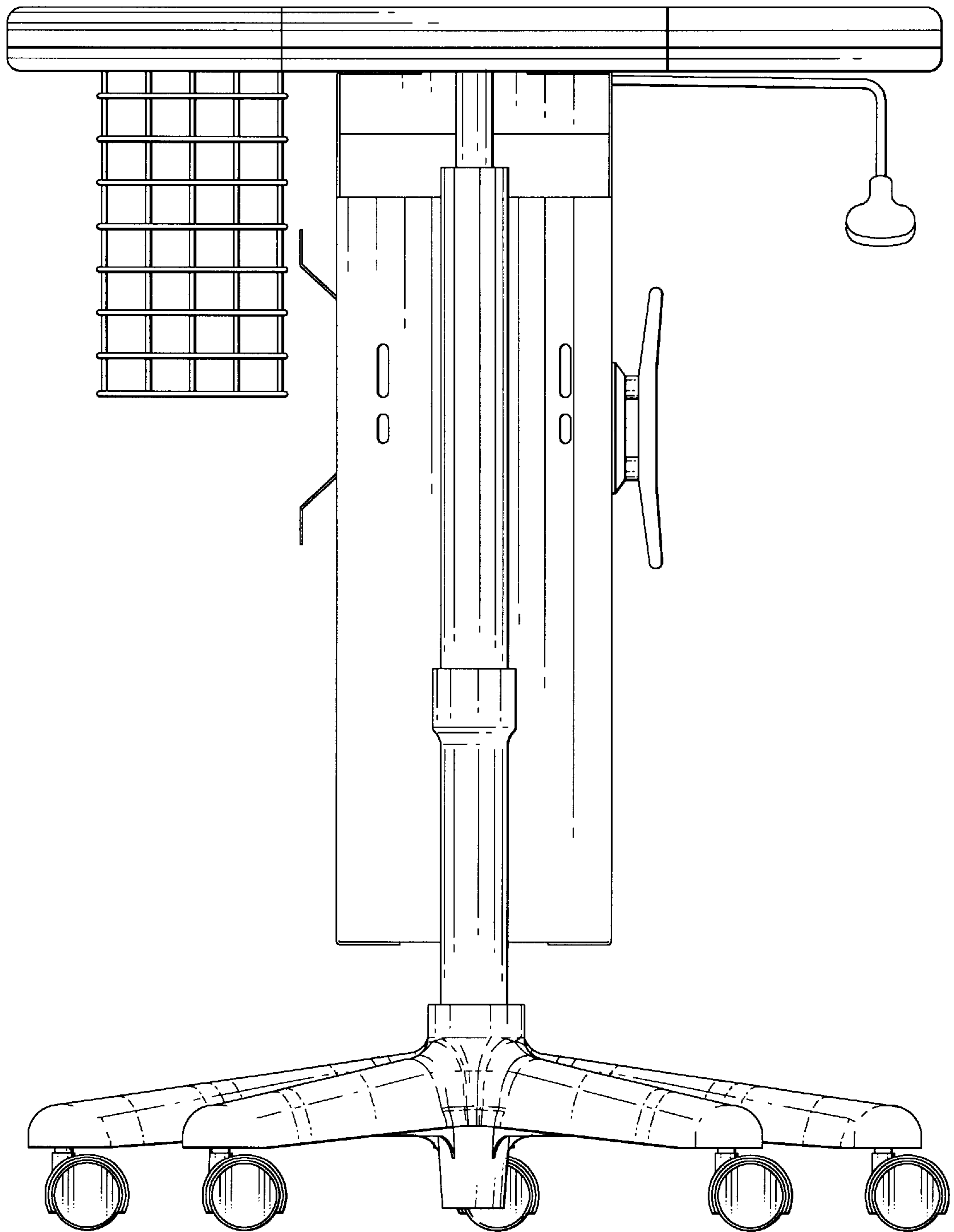


FIG. 3

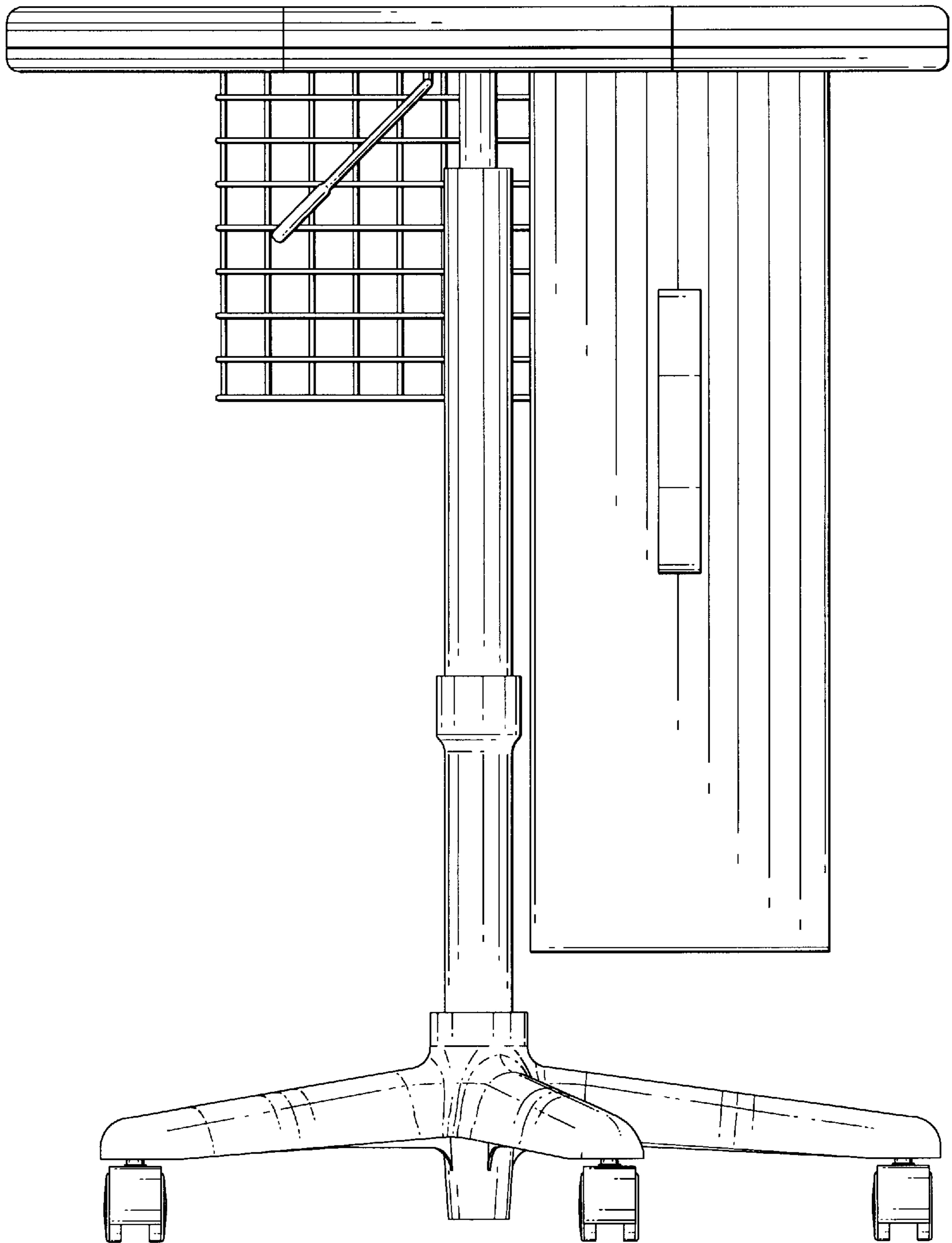


FIG. 4

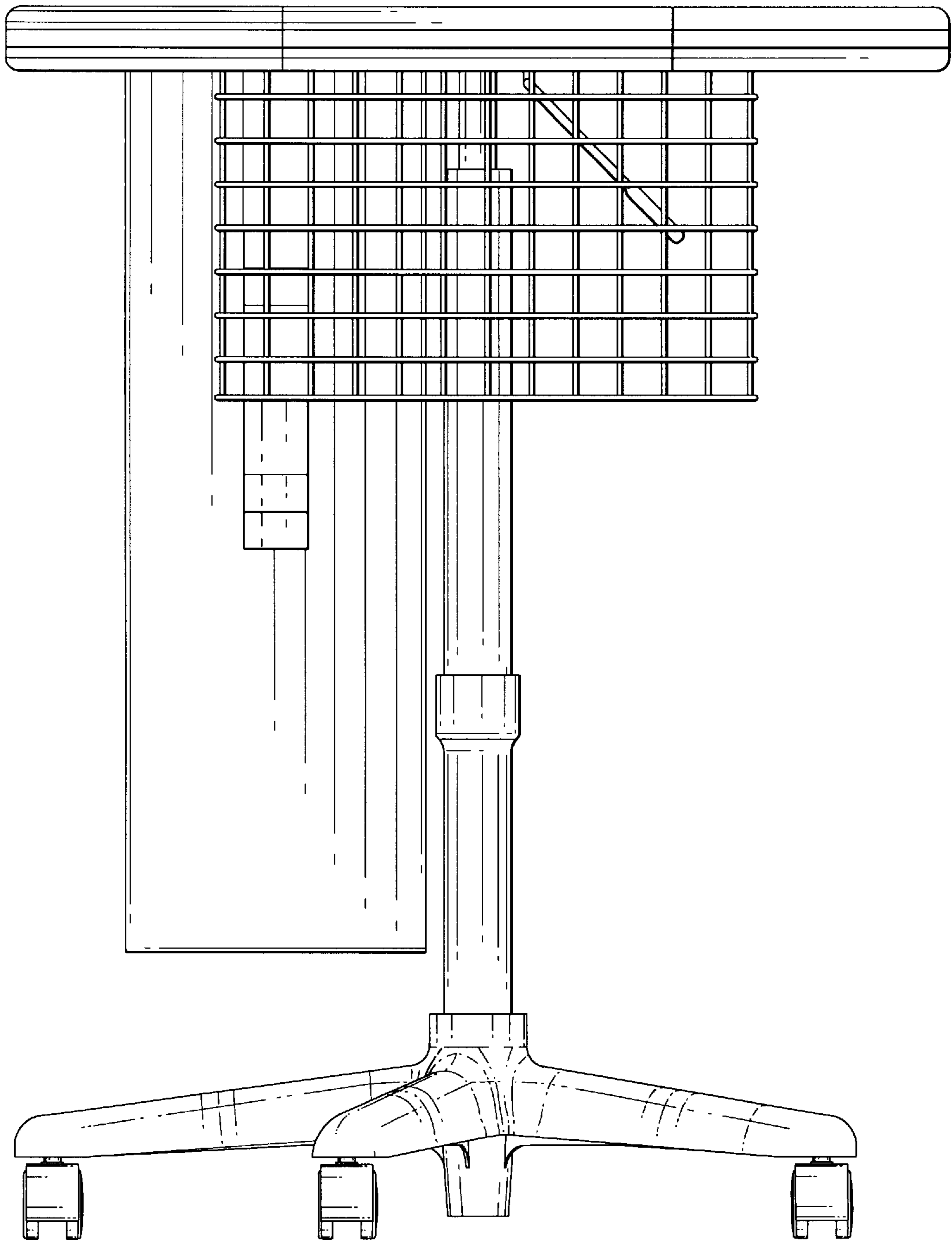


FIG. 5

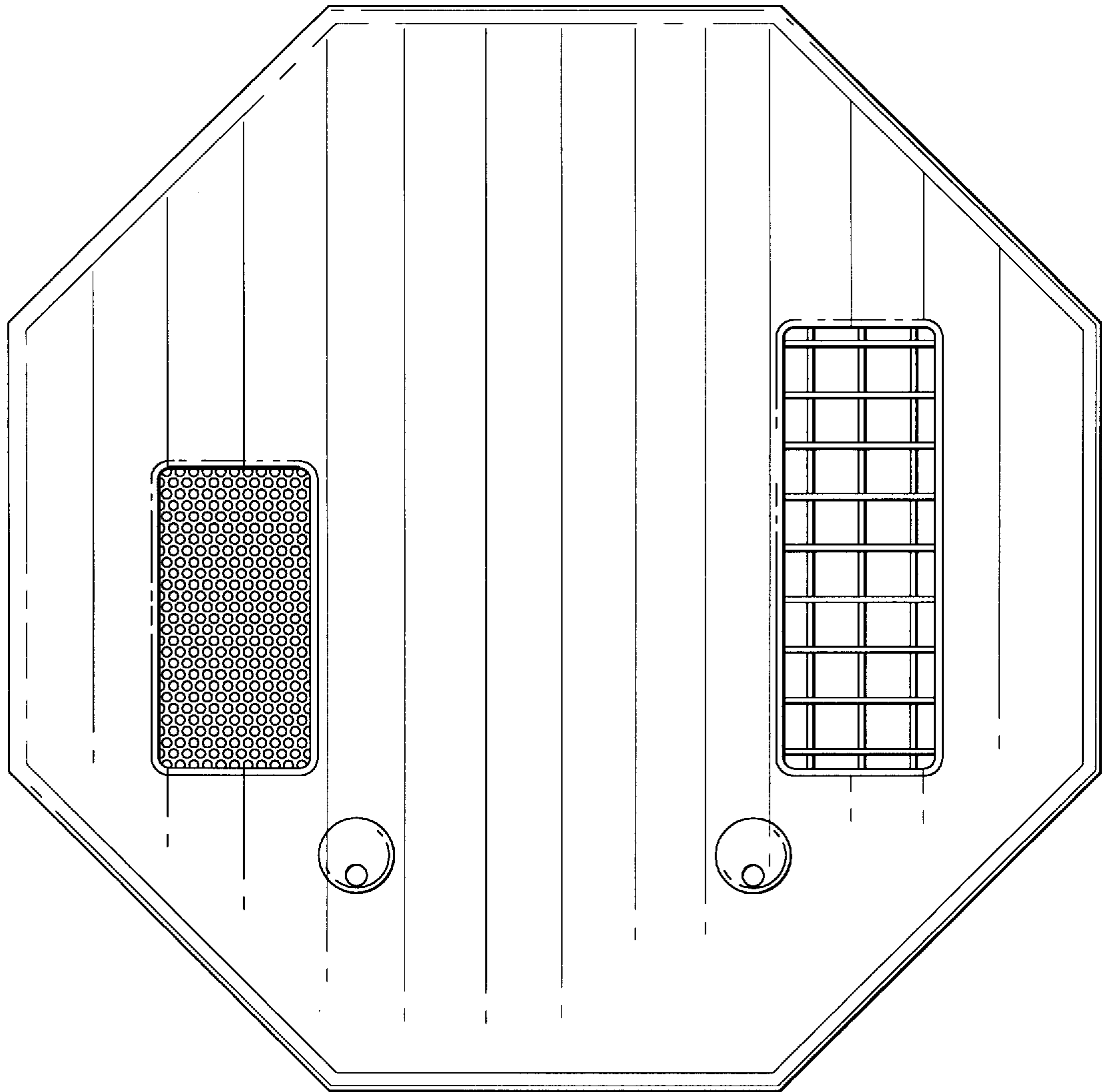


FIG. 6

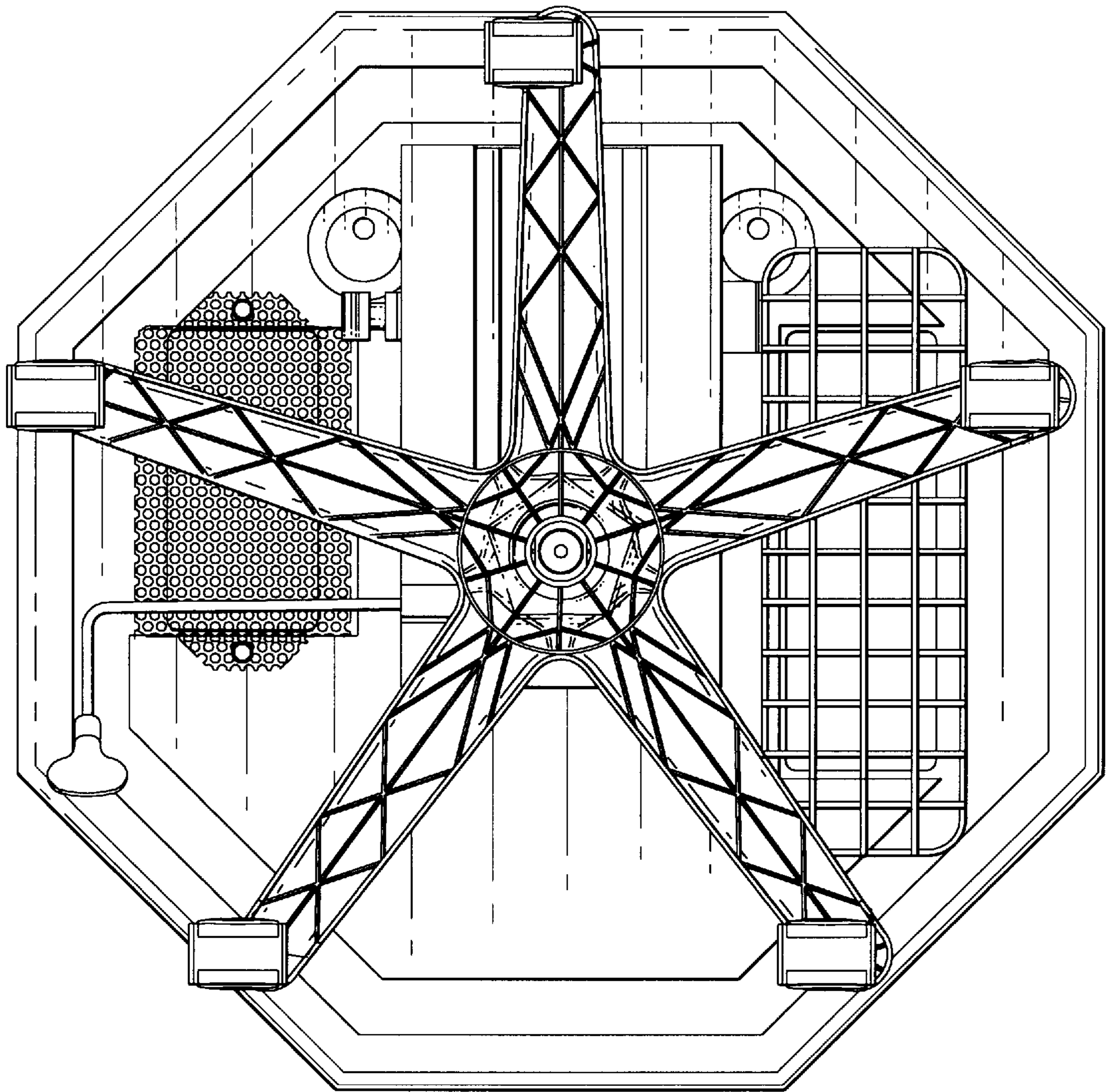


FIG. 7