



US00D398122S

United States Patent [19]

Presock et al.

[11] Patent Number: Des. 398,122

[45] Date of Patent: **Sep. 8, 1998

[54] REFUSE CONTAINER

5,119,960 6/1992 Robbins 220/908

[76] Inventors: Diane M. Presock; Eugene C. Krysmalski, both of Rd 1 Box 355, Rices Landing, Pa. 15357

Primary Examiner—Alan P. Douglas
Assistant Examiner—Robin V. Taylor

[**] Term: 14 Years

[57] CLAIM

The ornamental design for a refuse container, as shown.

[21] Appl. No.: 76,160

DESCRIPTION

[22] Filed: Aug. 29, 1997

FIG. 1 is an exploded front plan view of the refuse container of the present invention;

[51] LOC (6) Cl. 09-09

[52] U.S. Cl. D34/9; D34/1

FIG. 2 is a back plan view of the refuse container of FIG. 1; FIG. 3 is a left side plan view of the refuse container of FIG. 1;

[58] Field of Search D34/1, 5-7, 9, D34/10; 220/403, 404, 908-911

FIG. 4 is a right side plan view of the refuse container of FIG. 1;

[56] References Cited

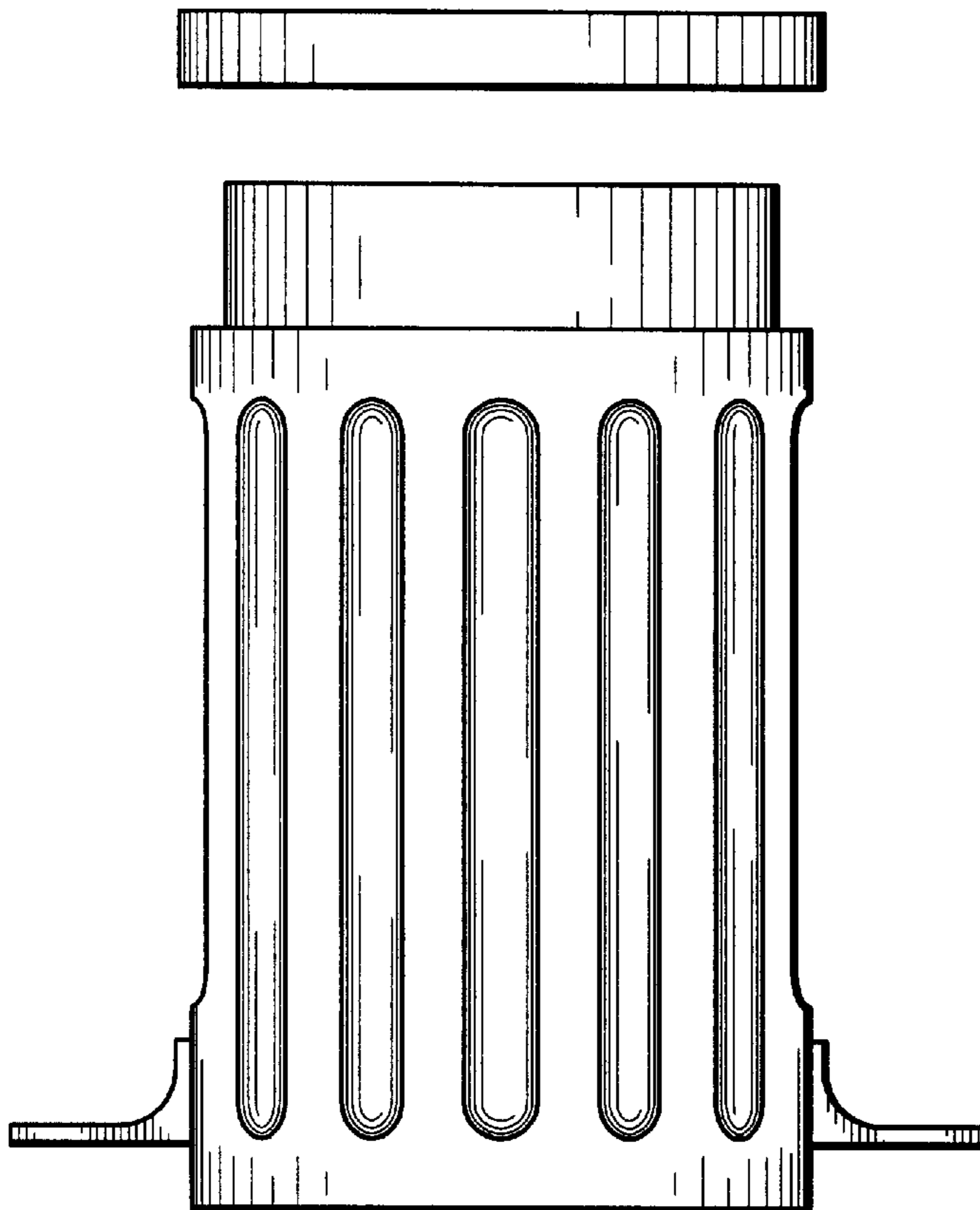
U.S. PATENT DOCUMENTS

D. 353,925	12/1994	Freedland	D34/1
1,714,384	5/1929	Sauvage	220/908
4,043,368	8/1977	Forte	220/908
4,723,686	2/1988	Pennisi	220/908

FIG. 5 is a top plan view of the refuse container of FIG. 1; and,

FIG. 6 is a bottom plan view of the refuse container of FIG. 1.

1 Claim, 3 Drawing Sheets



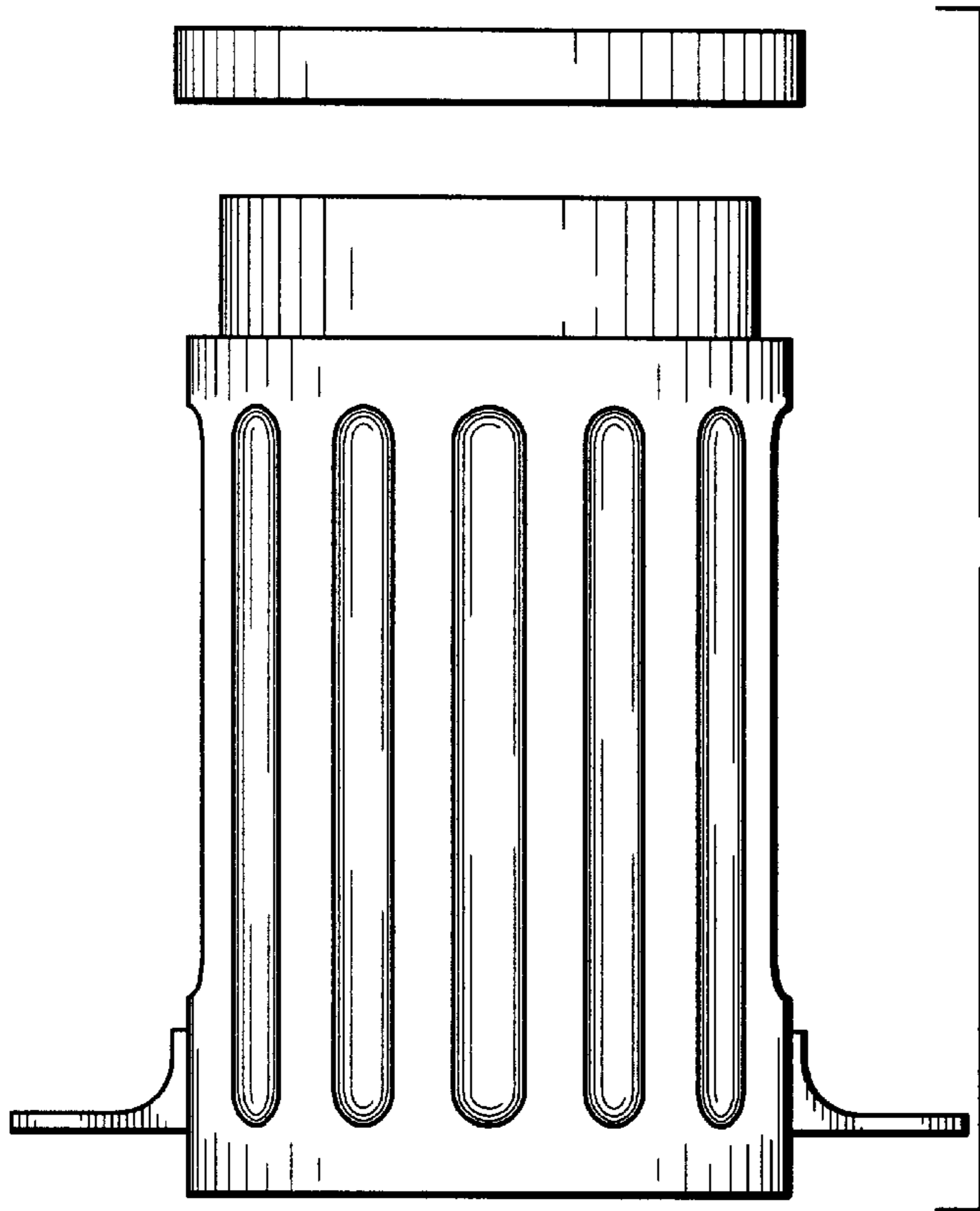


Fig. 1

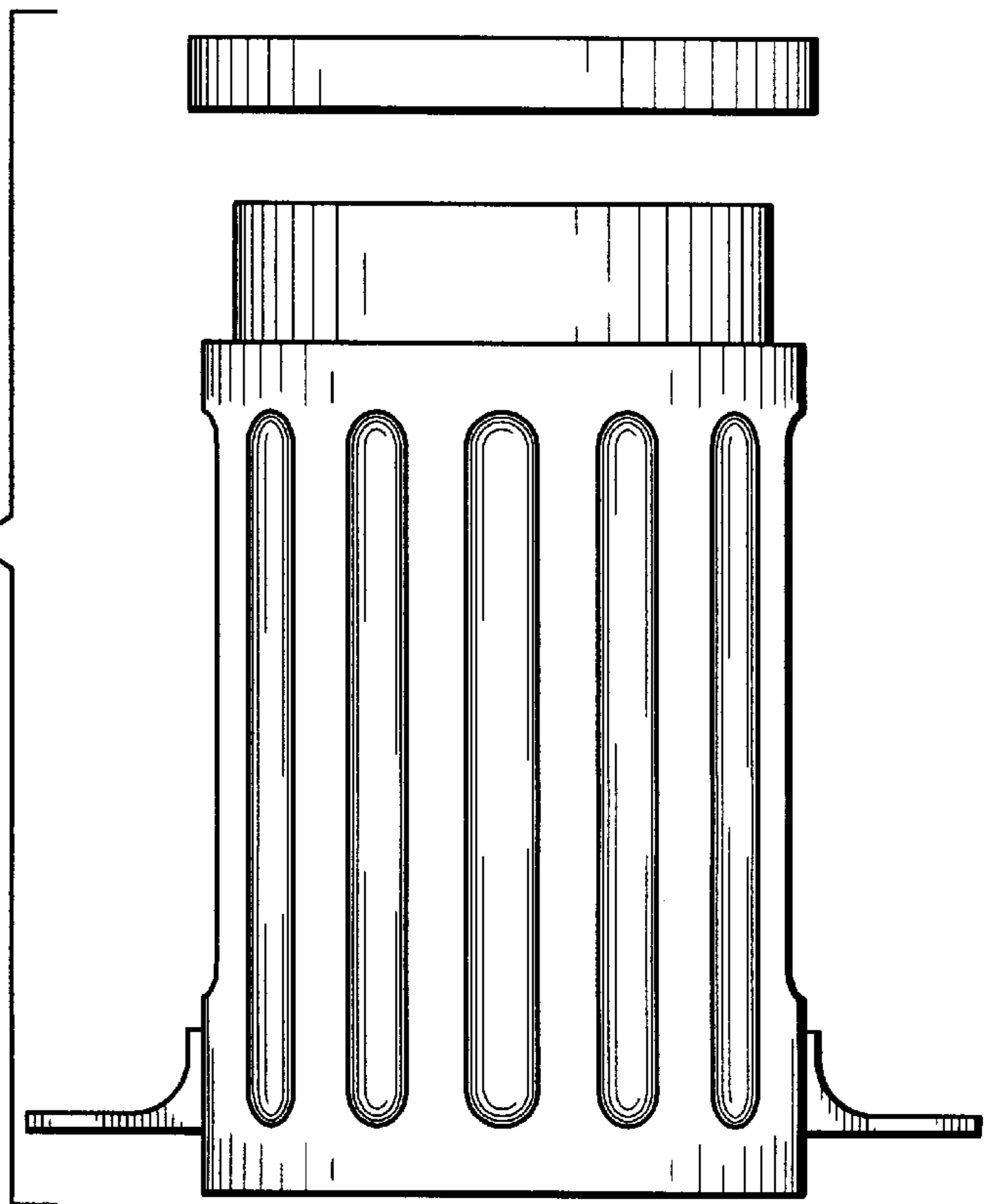


Fig. 2

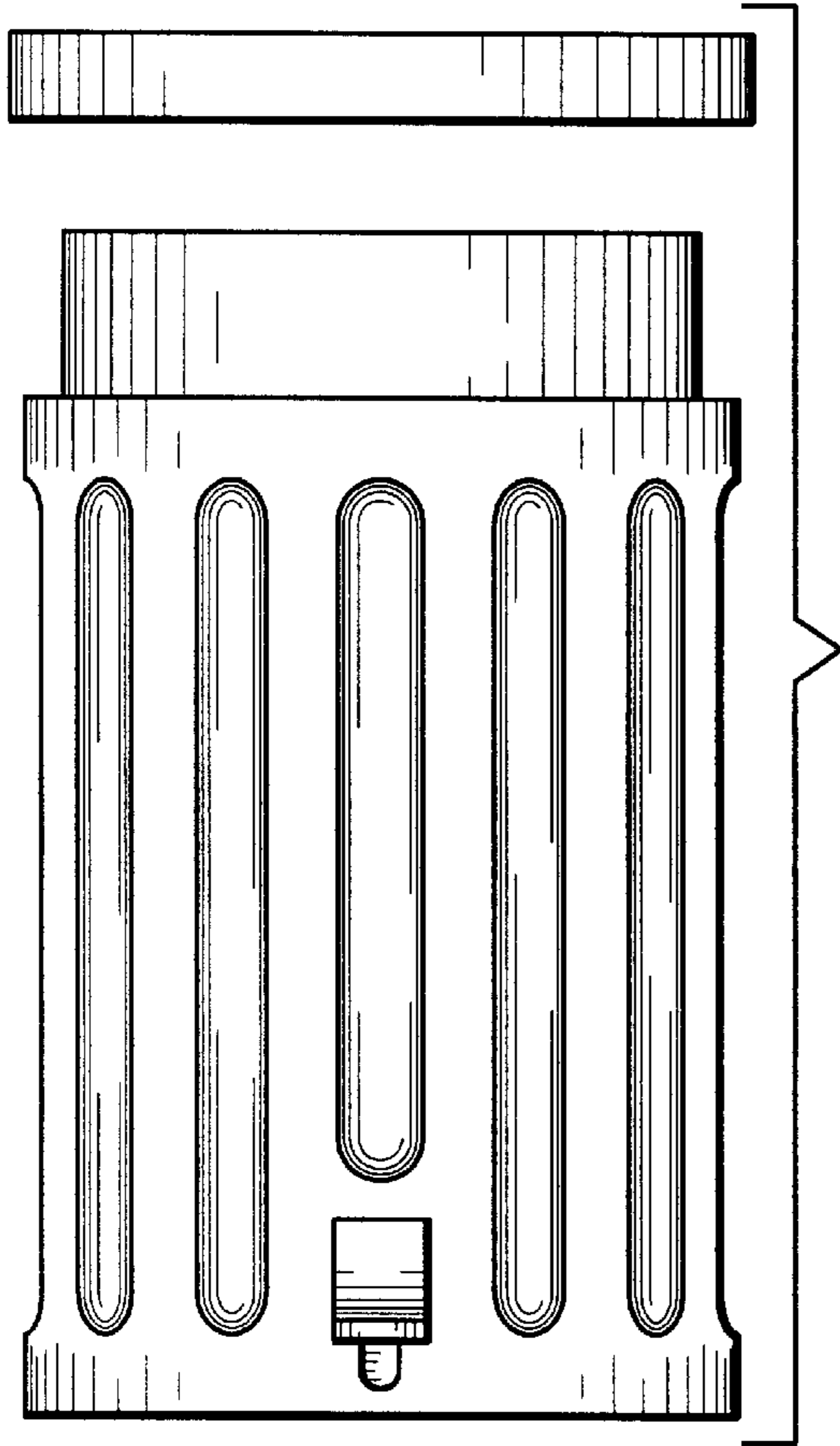
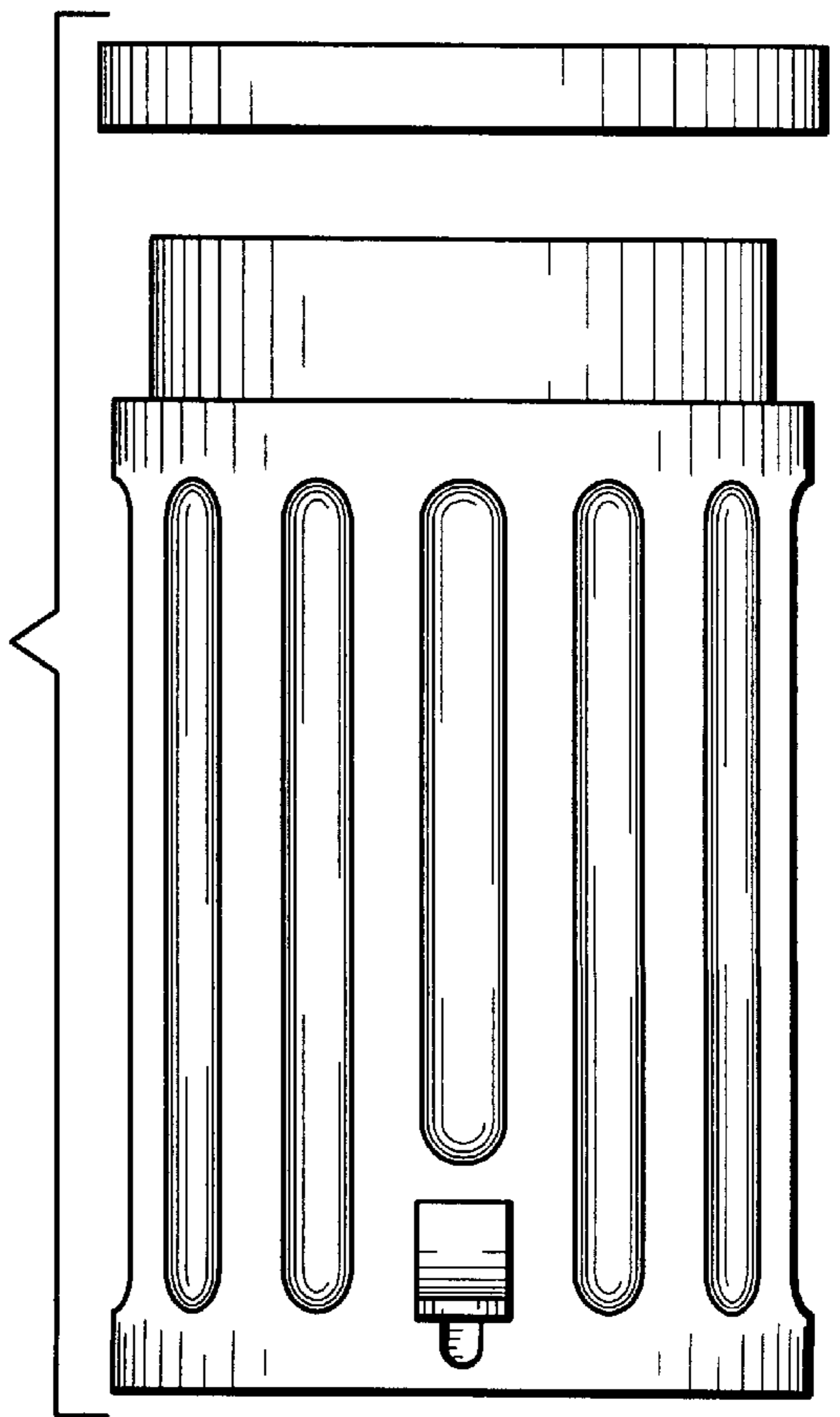


Fig. 3

Fig. 4



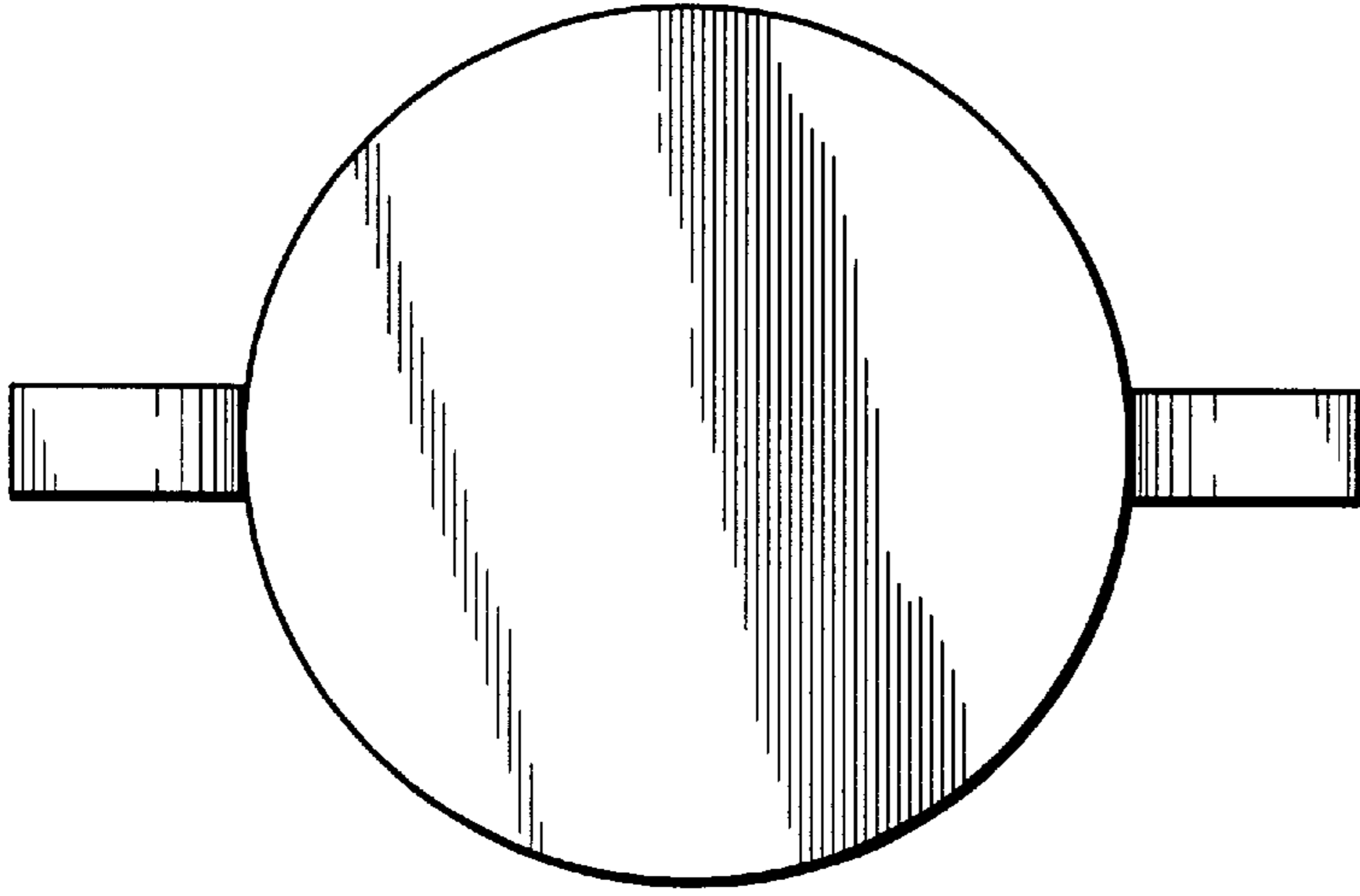


Fig. 5

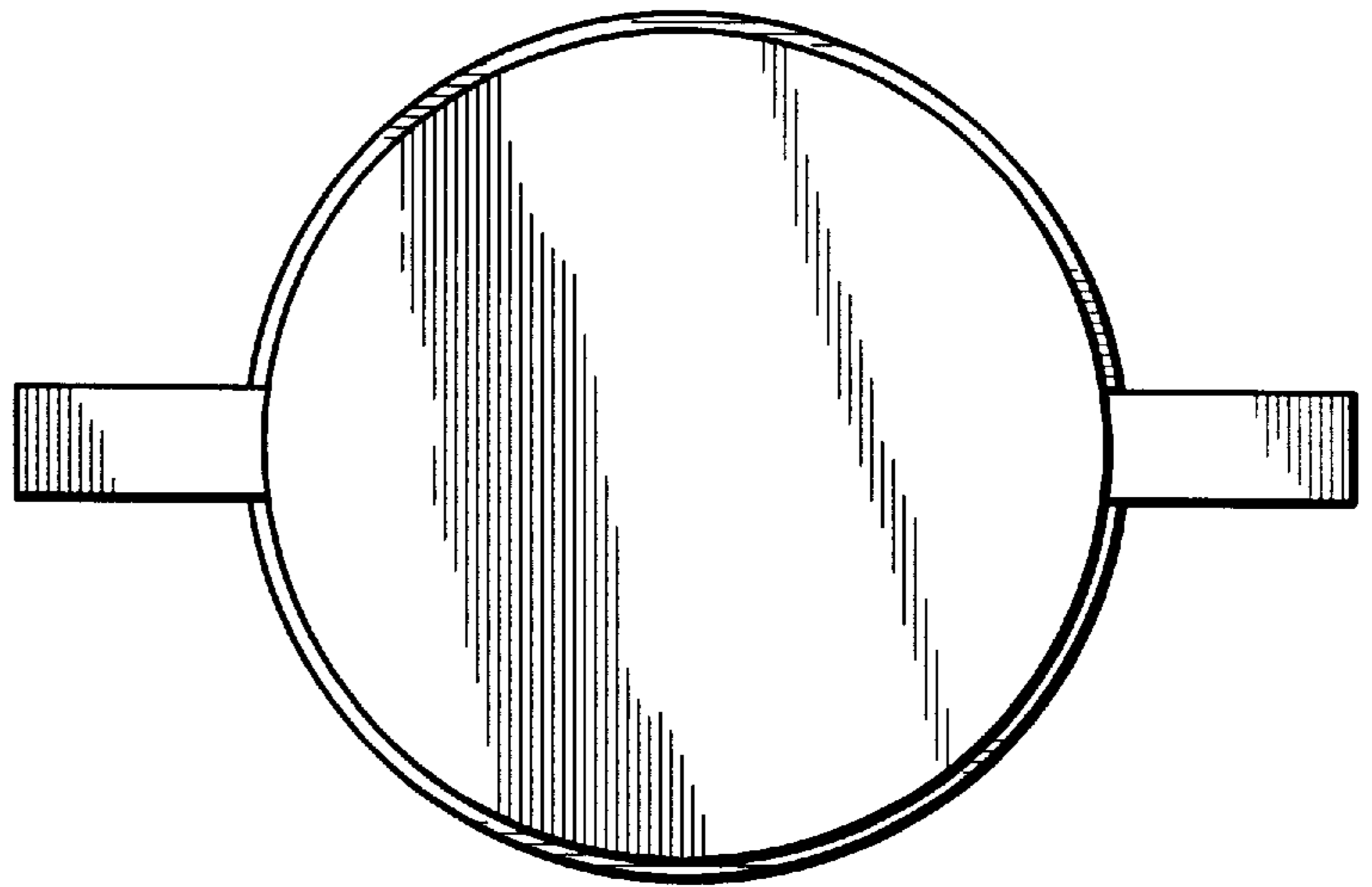


Fig. 6