



US00D398121S

# United States Patent [19] Siu

[11] Patent Number: Des. 398,121

[45] Date of Patent: \*\*Sep. 8, 1998

## [54] BAG HOLDER

## DESCRIPTION

[76] Inventor: **Victor Wai Park Siu**, 5304 Christopher Court, Burnaby, British Columbia, Canada, V5H 2K2

[\*\*] Term: **14 Years**

[21] Appl. No.: **80,946**

[22] Filed: **Dec. 22, 1997**

[51] LOC (6) Cl. .... **09-09**

[52] U.S. Cl. .... **D34/6**

[58] Field of Search ..... D34/1, 5-7, 9, D34/10; 220/908, 909; 248/95, 97, 99, 100

## [56] References Cited

### U.S. PATENT DOCUMENTS

D. 246,565	12/1977	Roark	.....	D34/6
4,364,534	12/1982	Valesko	.....	248/97
4,467,989	8/1984	Stroh	.....	248/97
4,893,769	1/1990	Rotelli	.....	248/97
5,213,291	5/1993	Wiebe	.....	248/97
5,427,340	6/1995	Stromsmoe et al.	.....	248/97

*Primary Examiner*—Alan P. Douglas  
*Assistant Examiner*—Robin V. Taylor  
*Attorney, Agent, or Firm*—Oyen Wiggs Green & Mutala

## [57] CLAIM

The ornamental design for a bag holder, as shown and described.

FIG. 1 is a perspective view of a first embodiment of the design in which the lateral positions of the two vertical frames are adjustable to a continuum of positions along the base element;

FIG. 2 is a front view of the embodiment of the design shown in FIG. 1, the rear view being a mirror image thereof; FIG. 3 is a right side view of the embodiment of the design shown in FIG. 1, the left side view being a mirror image thereof;

FIG. 4 is a top view of the embodiment of the design shown in FIG. 1;

FIG. 5 is a bottom view of the embodiment of the design shown in FIG. 1;

FIG. 6 is a perspective view of a second embodiment of the design, in which the lateral positions of the two vertical frames are adjustable to a continuum of positions along the base element, and in which the height of the two vertical frames is telescopically variable;

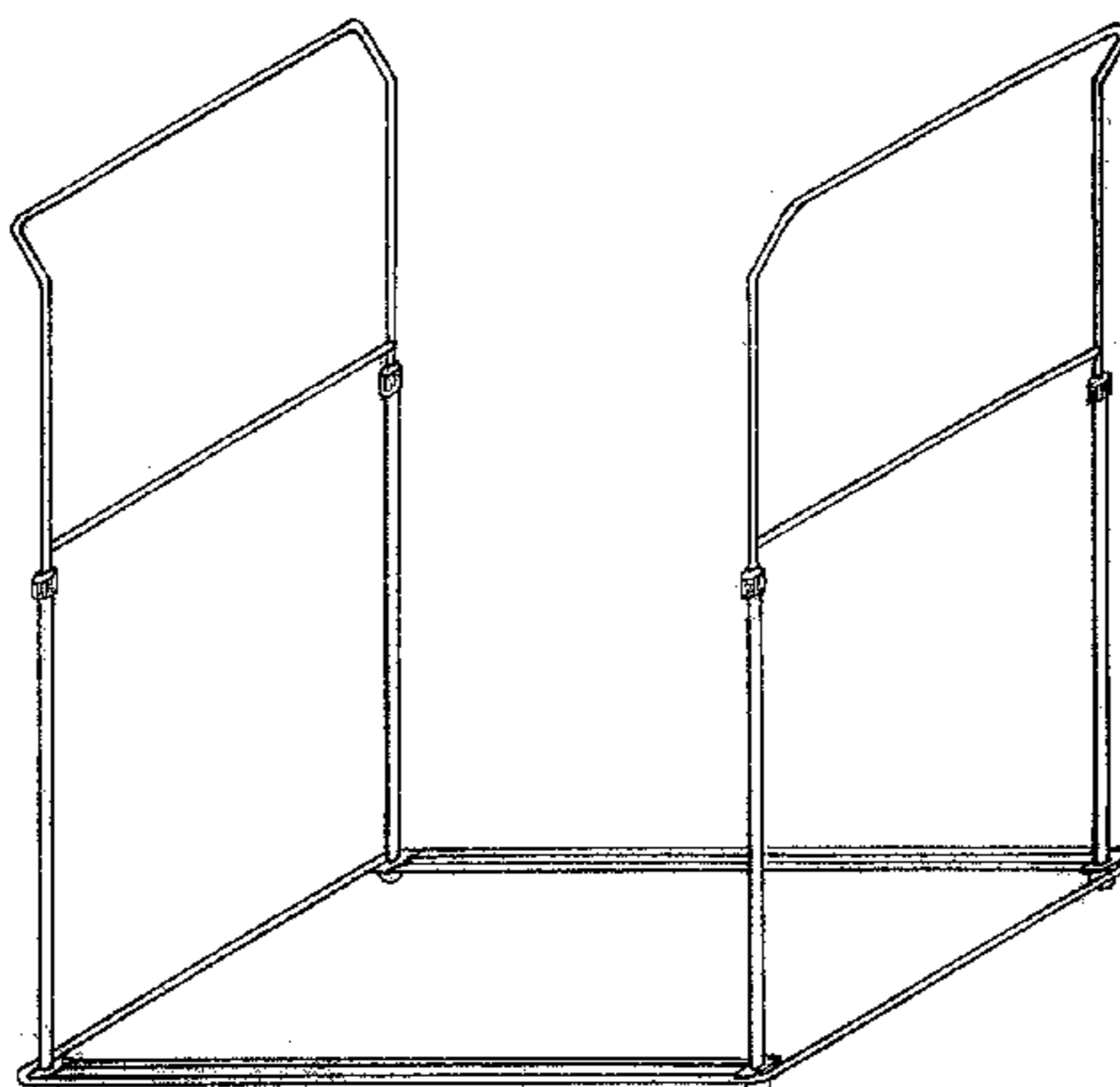
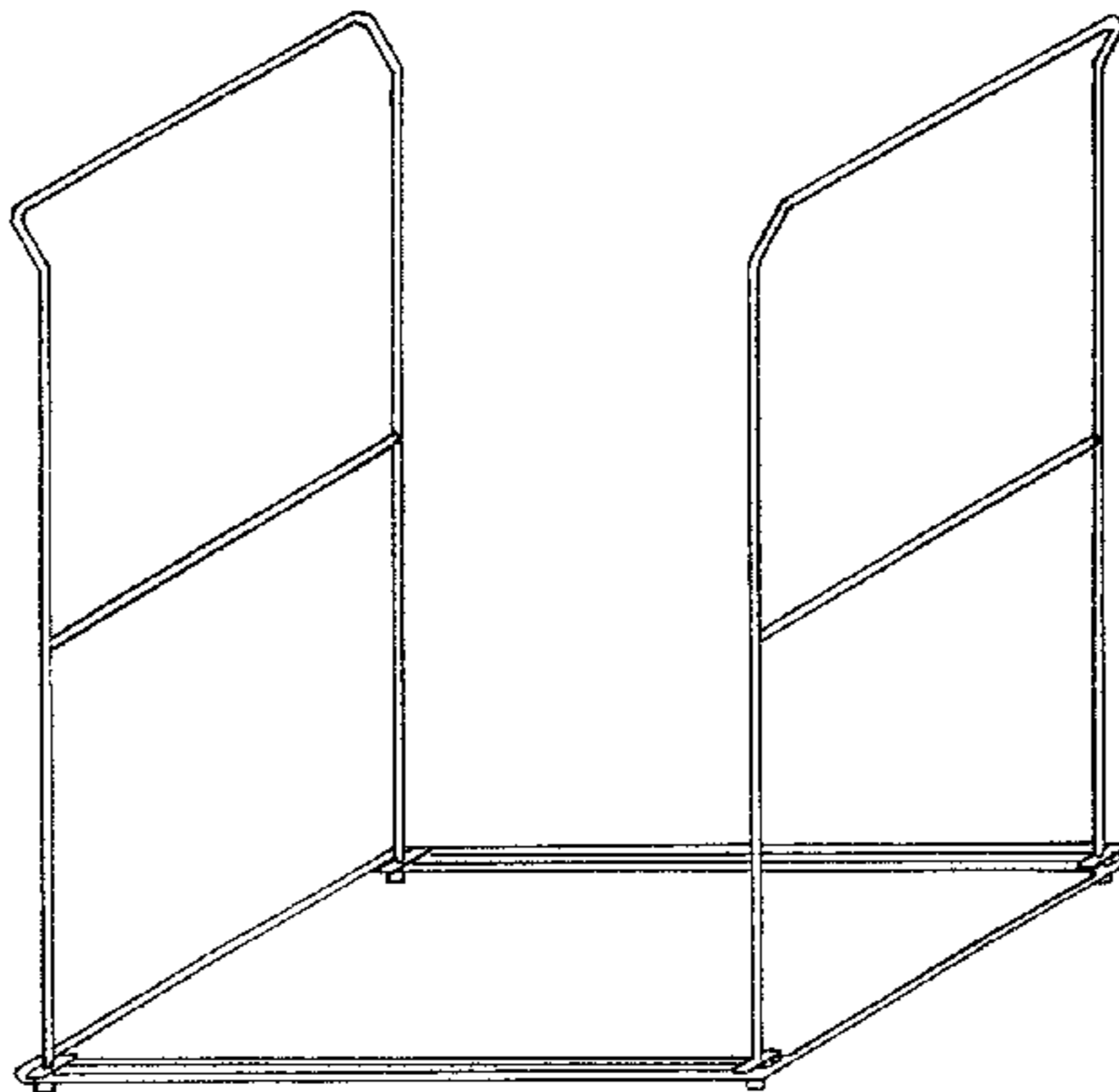
FIG. 7 is a front view of the embodiment of the design shown in FIG. 6, the rear view being a mirror image thereof;

FIG. 8 is a right side view of the embodiment of the design shown in FIG. 6, the left side view being a mirror image thereof;

FIG. 9 is a top view of the embodiment of the design shown in FIG. 6; and,

FIG. 10 is a bottom view of the embodiment of the design shown in FIG. 6.

**1 Claim, 10 Drawing Sheets**



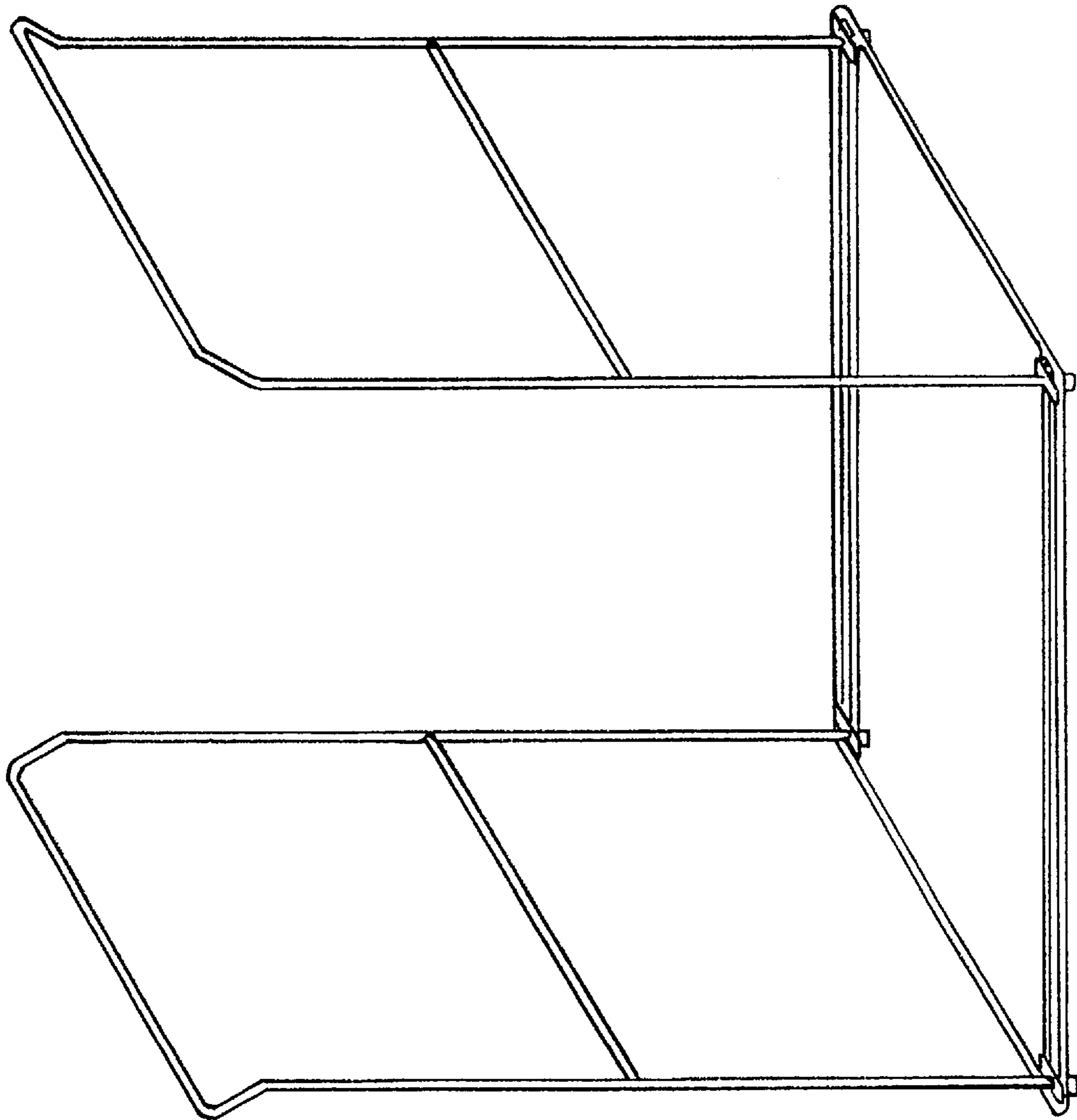


FIG. 1

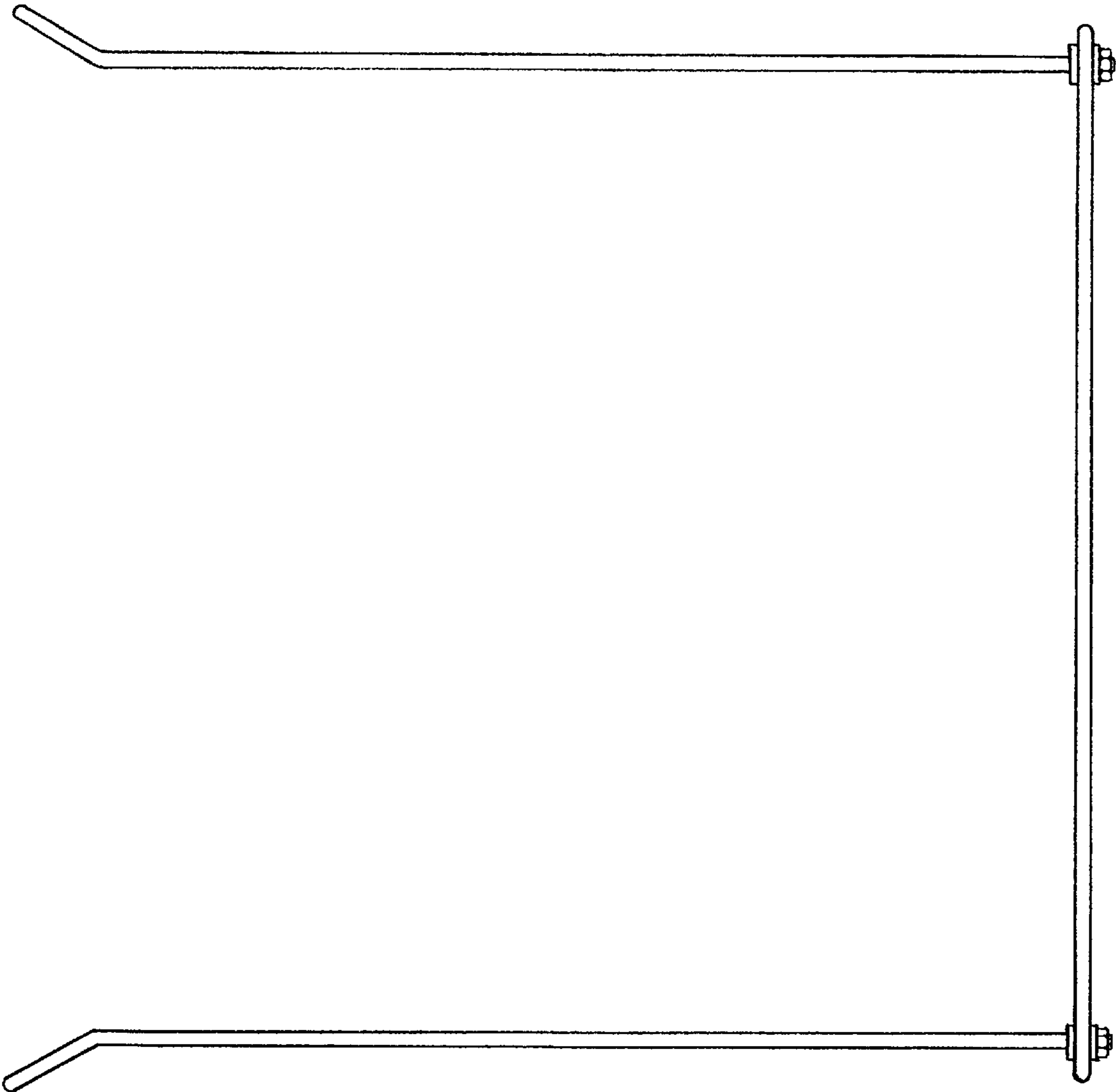


FIG. 2

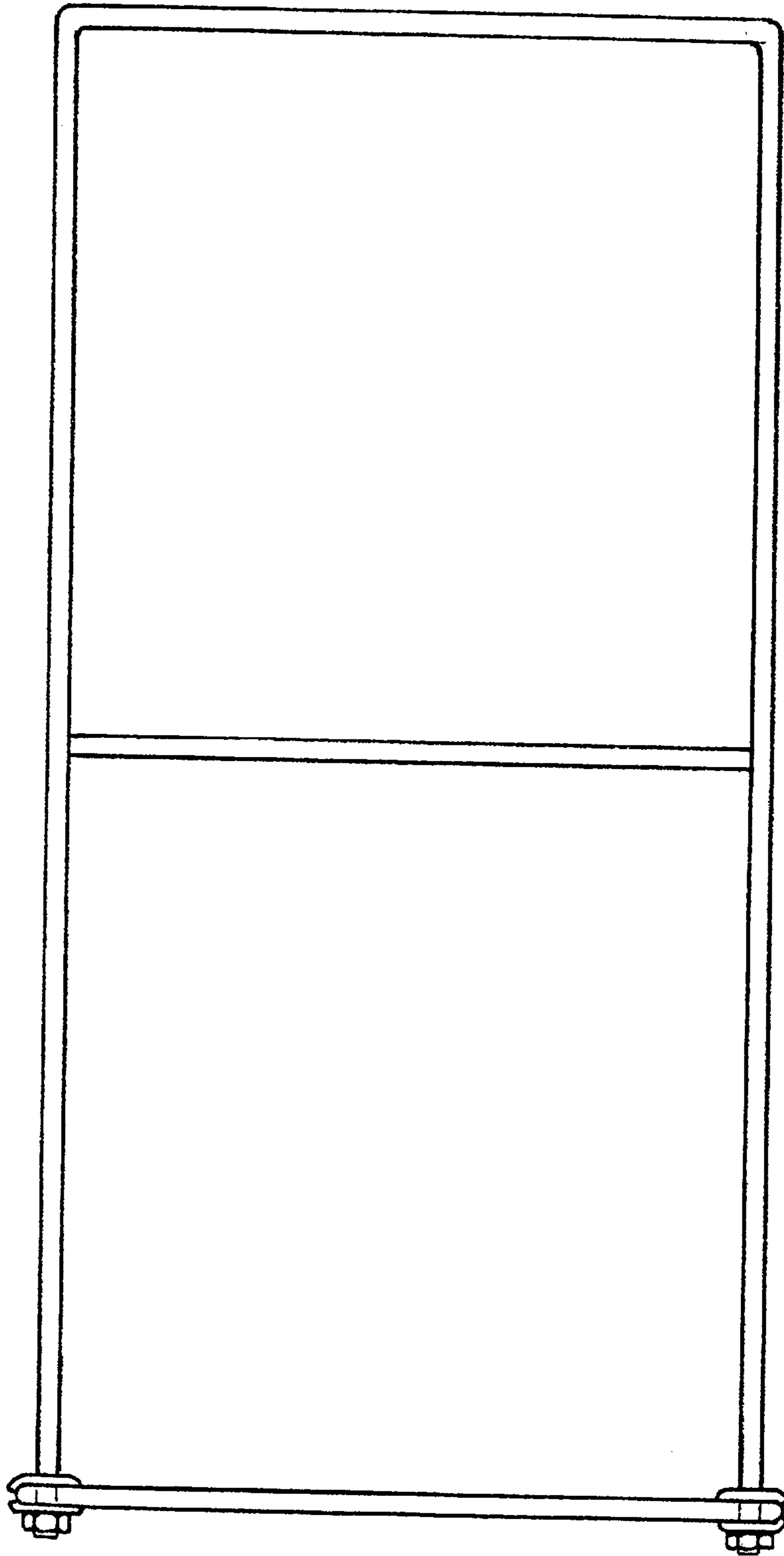


FIG. 3

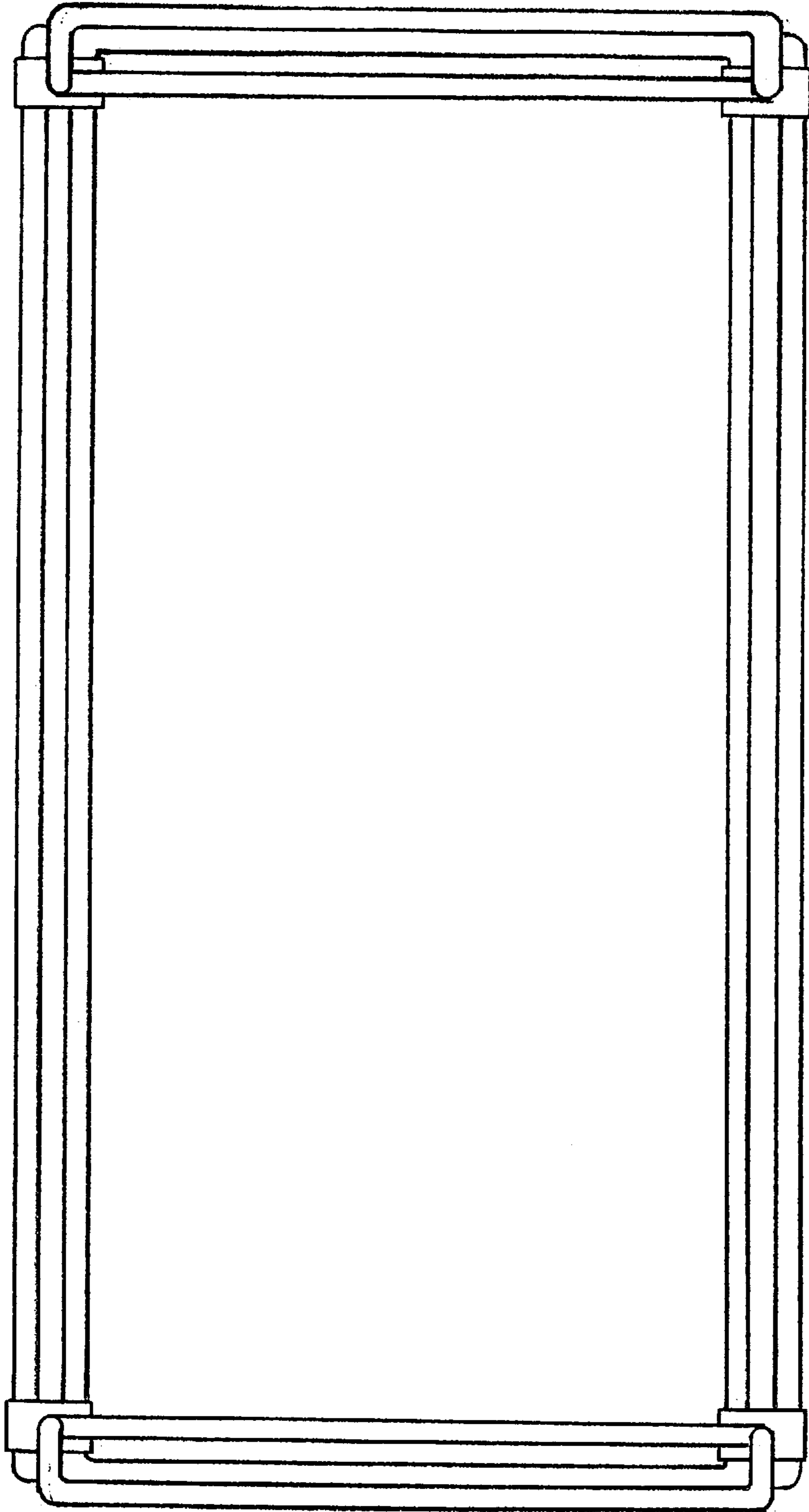


FIG. 4

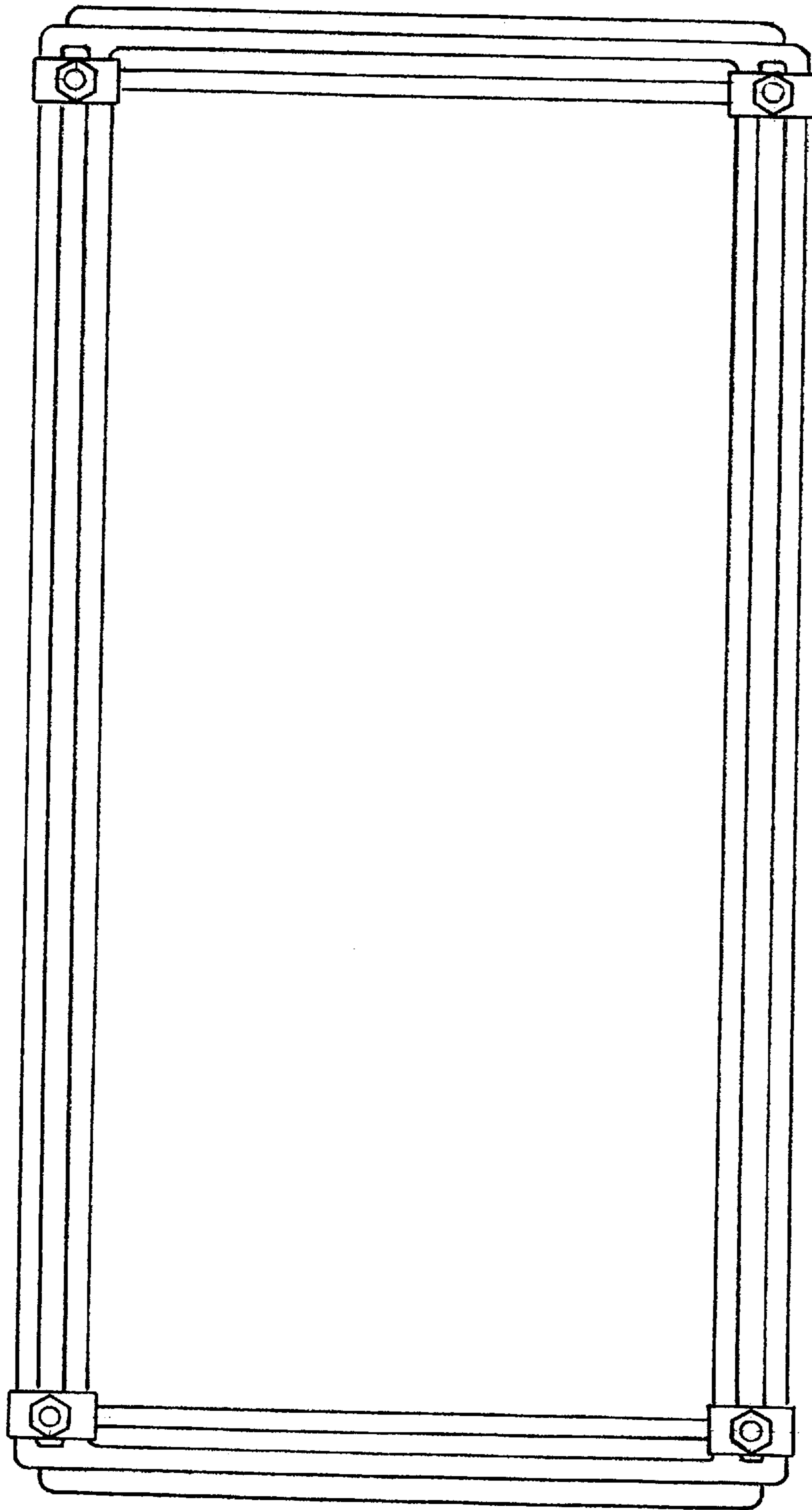


FIG. 5

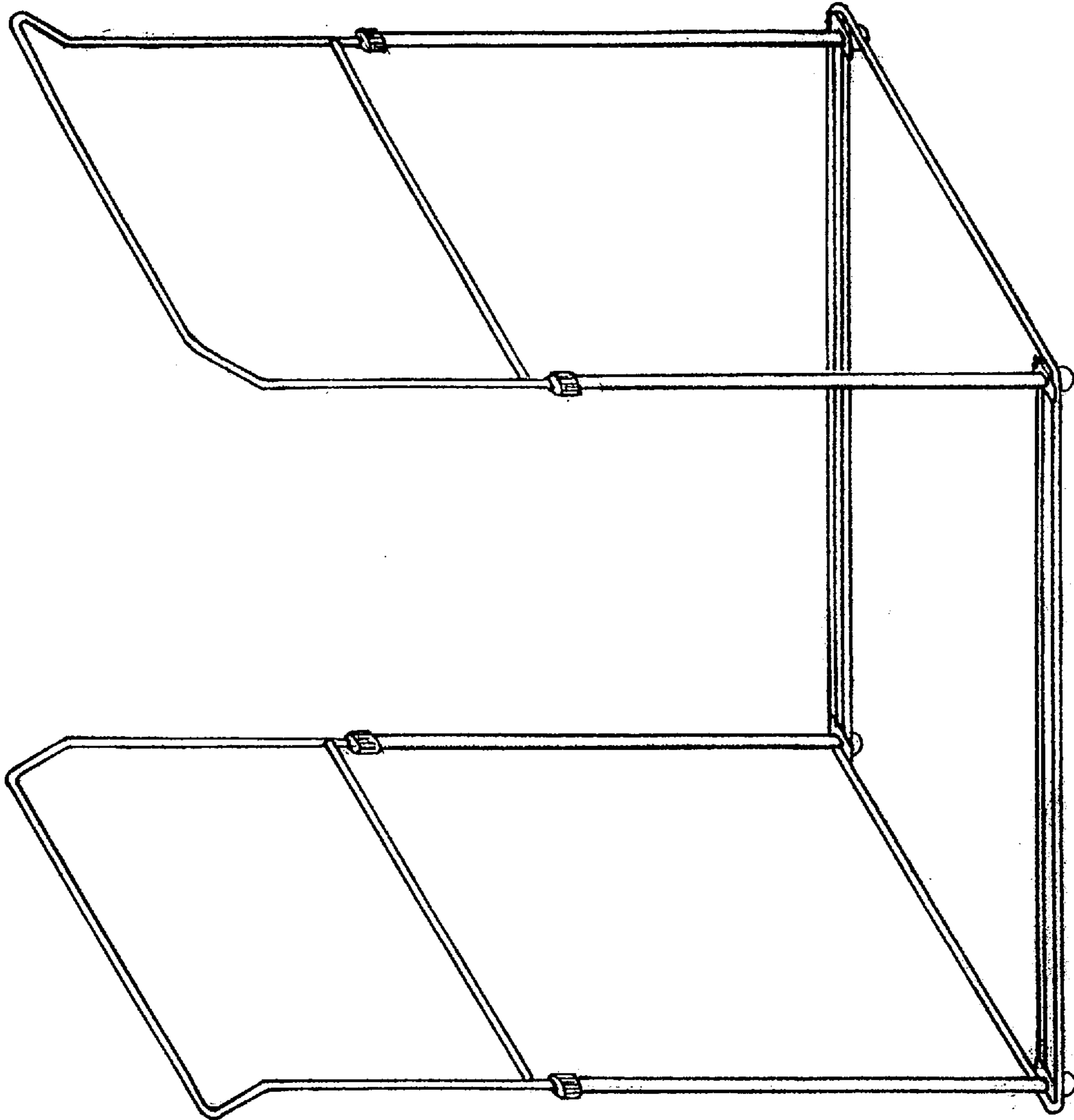


FIG. 6

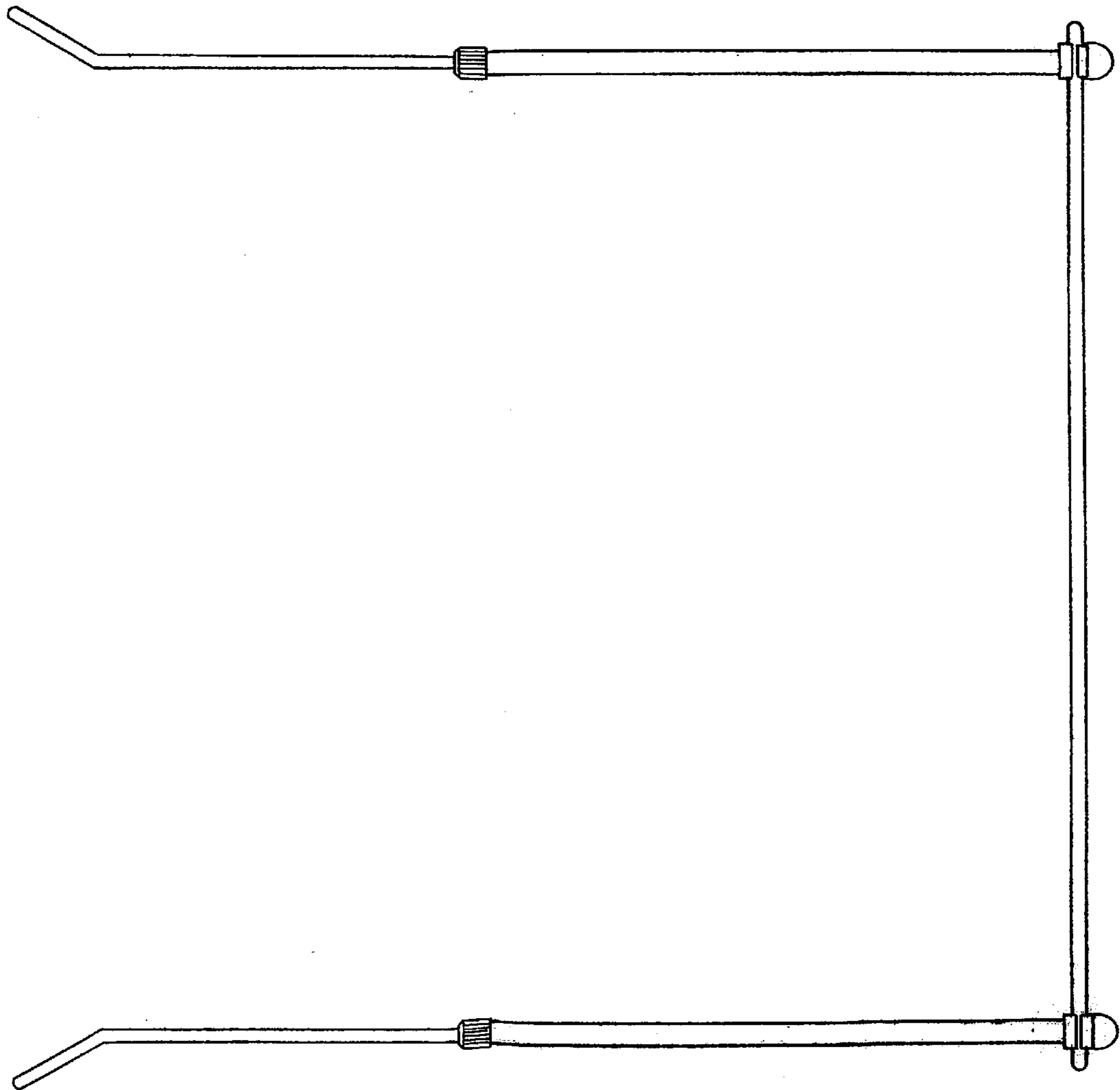


FIG. 7



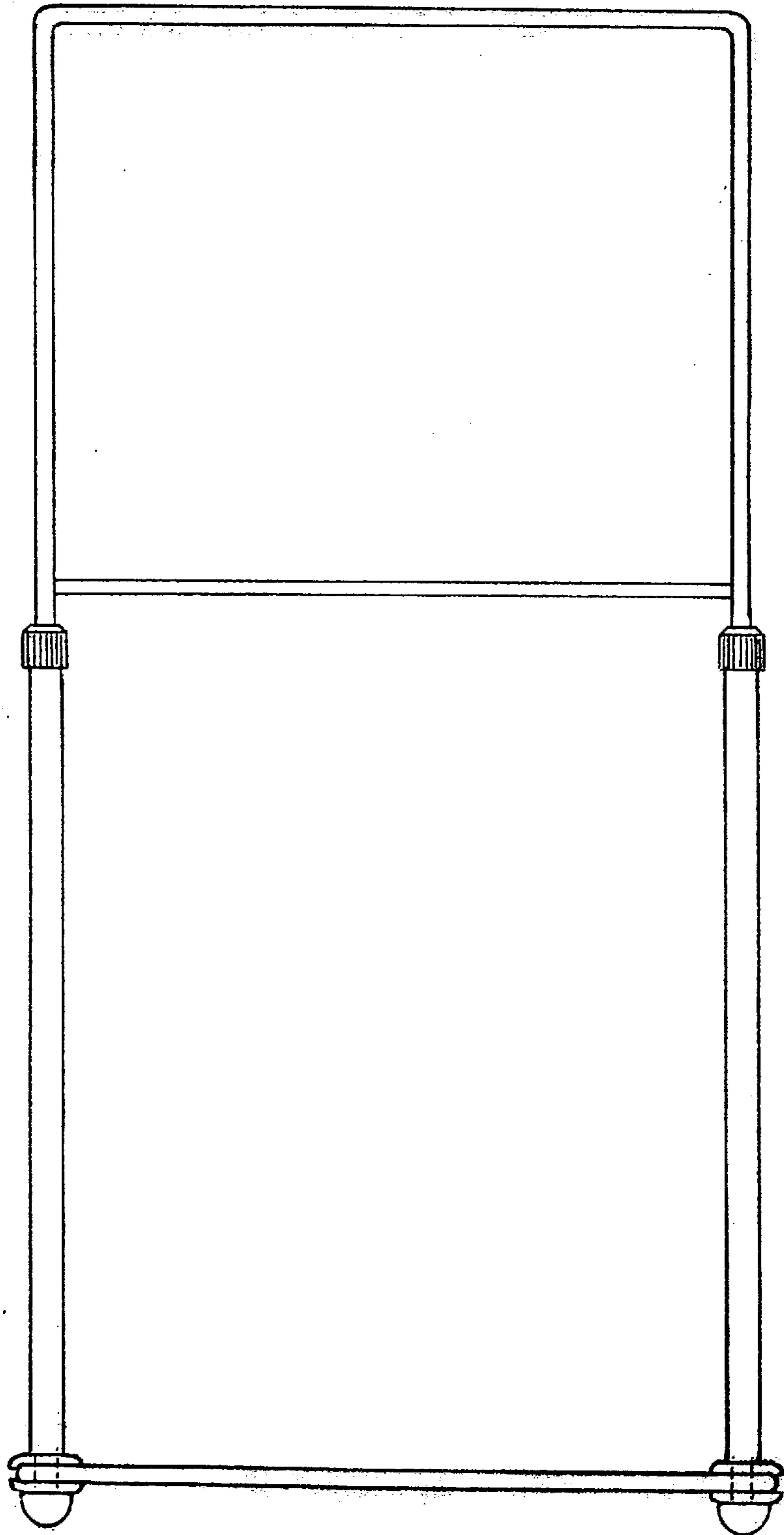


FIG. 8

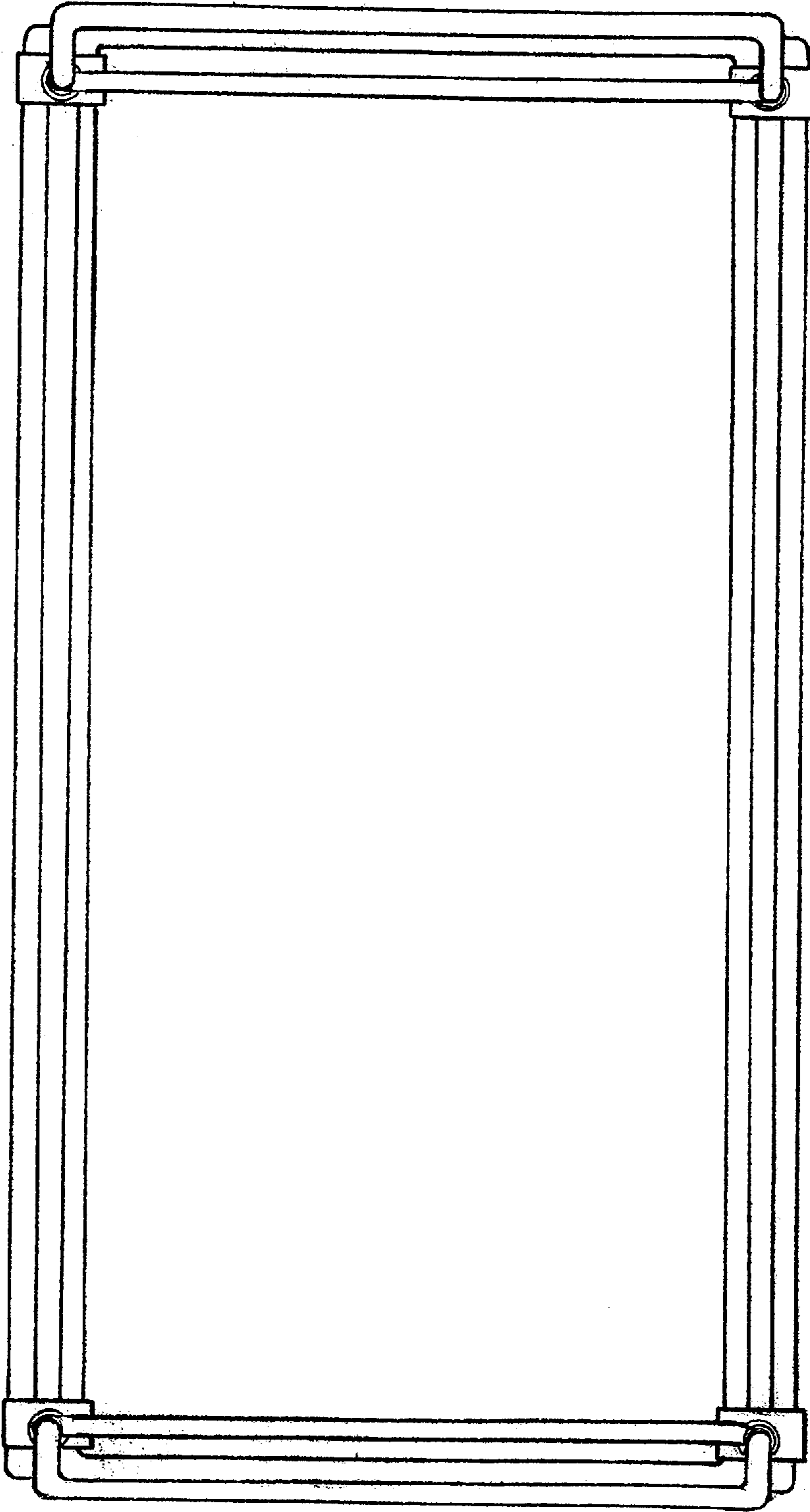


FIG. 9

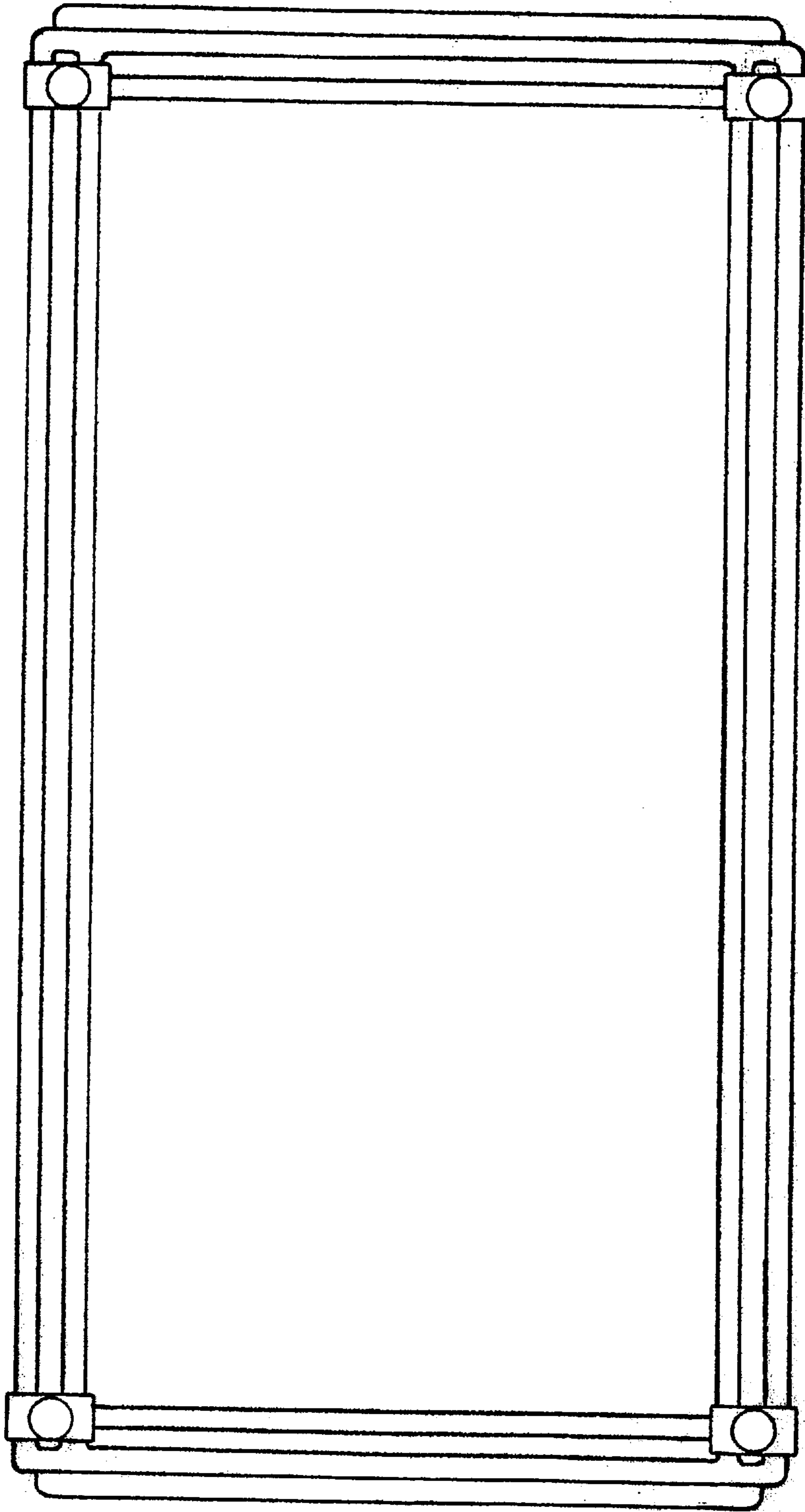


FIG. 10