



US00D398118S

United States Patent [19] Douglas

[11] **Patent Number:** **Des. 398,118**
[45] **Date of Patent:** ****Sep. 8, 1998**

[54] **WASTEBASKET**

[75] Inventor: **Patrick Douglas**, Wooster, Ohio

[73] Assignee: **Rubbermaid Incorporated**, Wooster, Ohio

[**] Term: **14 Years**

[21] Appl. No.: **80,744**

[22] Filed: **Dec. 15, 1997**

[51] **LOC (6) Cl.** **09-09**

[52] **U.S. Cl.** **D34/1**

[58] **Field of Search** D34/1, 5-7, 9,
D34/10; 220/403-4, 908-9; 248/95, 97,
99

[56] **References Cited**

U.S. PATENT DOCUMENTS

D. 186,194	9/1959	Beverlin	D58/4
D. 192,454	3/1962	Ebstein et al.	D58/17
D. 200,882	4/1965	Benjamin	D58/17
D. 211,903	8/1968	Heck	D34/1
D. 219,478	12/1970	DuBois	D34/1
D. 242,423	11/1976	Culligan	D7/191
D. 261,720	11/1981	Brazis	D34/9
D. 280,459	9/1985	McClelland	D34/8
D. 281,111	10/1985	McClelland	D34/8
D. 287,897	1/1987	Hanifl	D34/1
D. 319,905	9/1991	Hotchkiss	D34/9
D. 321,576	11/1991	Hradisky	D34/8
D. 322,350	12/1991	Craft, Jr. et al.	D34/9
D. 326,343	5/1992	Hradisky	D34/7
D. 326,754	6/1992	Hradisky	D34/7

D. 327,756	7/1992	Klein et al.	D34/1
D. 333,716	3/1993	Bird et al.	D34/8
D. 342,817	12/1993	Lippisch et al.	D34/7
D. 355,739	2/1995	Bird et al.	D34/1
D. 362,525	9/1995	Kruger	D34/1
D. 365,427	12/1995	Brightbill et al.	D34/1
D. 369,262	4/1996	Aaron	D34/1
D. 381,159	7/1997	Hampton	D34/1
D. 387,530	12/1997	Doxey	D34/1
D. 387,531	12/1997	Tisbo et al.	D34/1

OTHER PUBLICATIONS

P. 22, Wastebasket; Rubbermaid Incorporated, 1147 Akron Road, Wooster, Ohio 44691. Publication date 1980.
Catalog page, Wastebasket; Rubbermaid Incorporated, 1147 Akron Road, Wooster, Ohio 44691. Publication date 1991.

Primary Examiner—Alan P. Douglas
Assistant Examiner—Robin V. Taylor
Attorney, Agent, or Firm—Richard B. O’Planick

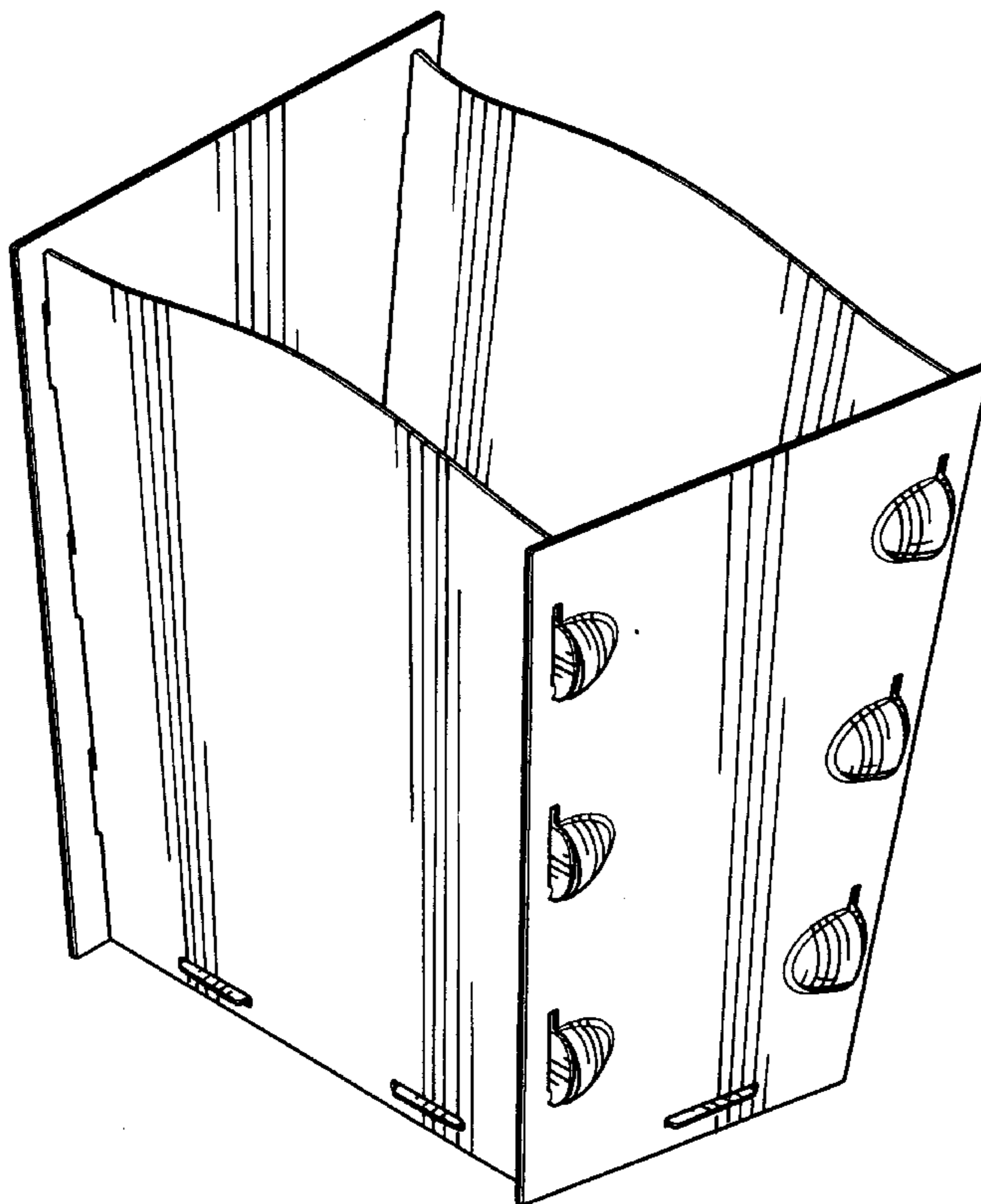
[57] **CLAIM**

The ornamental design for a wastebasket, as shown and described.

DESCRIPTION

FIG. 1 is a top right front perspective view of a wastebasket showing my new design;
FIG. 2 is a right side elevational view thereof; the left side elevational view being a mirror image;
FIG. 3 is a top plan view thereof; and,
FIG. 4 is a front elevational view thereof; the rear elevational view being a mirror image.

1 Claim, 2 Drawing Sheets



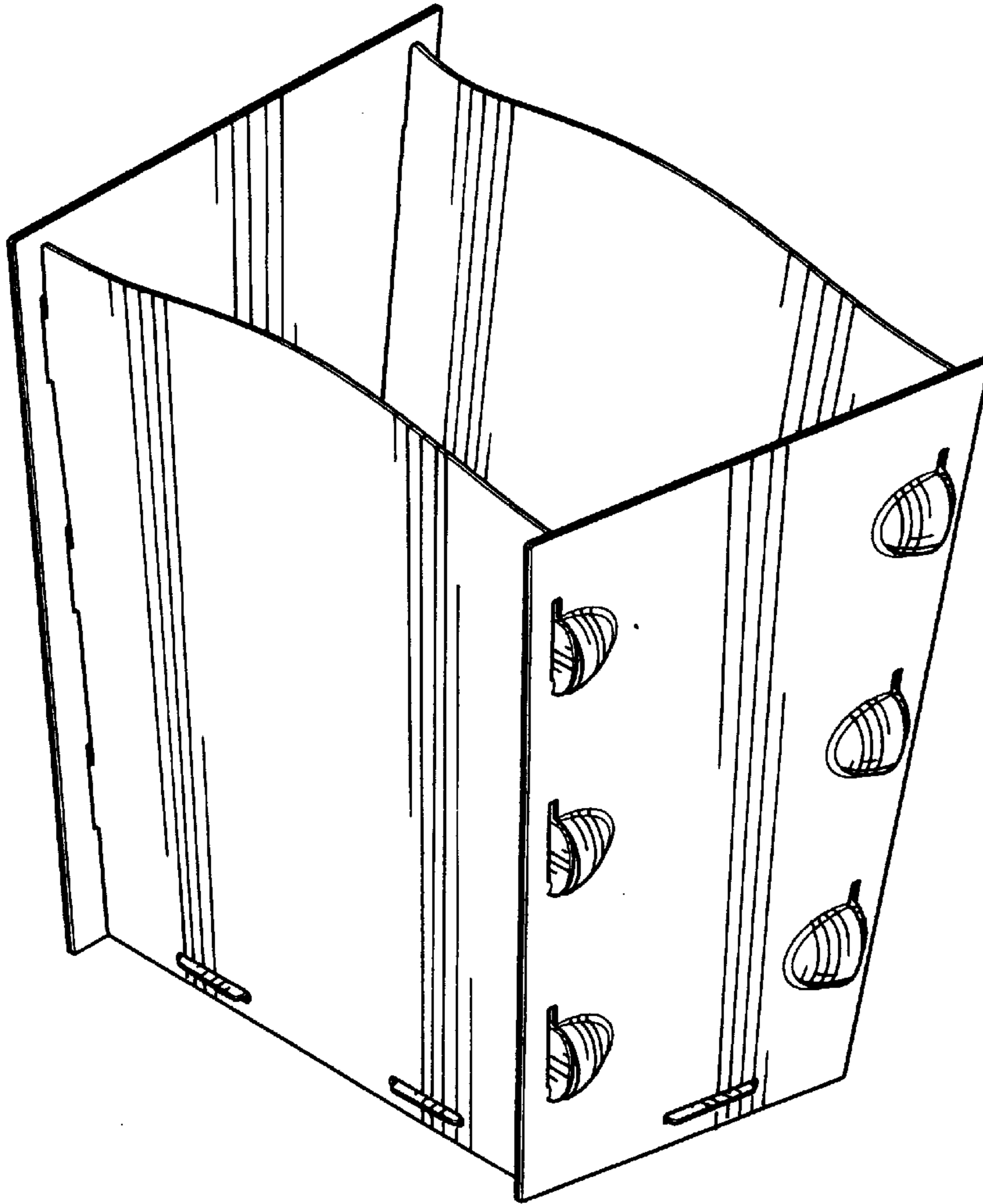


Fig-1

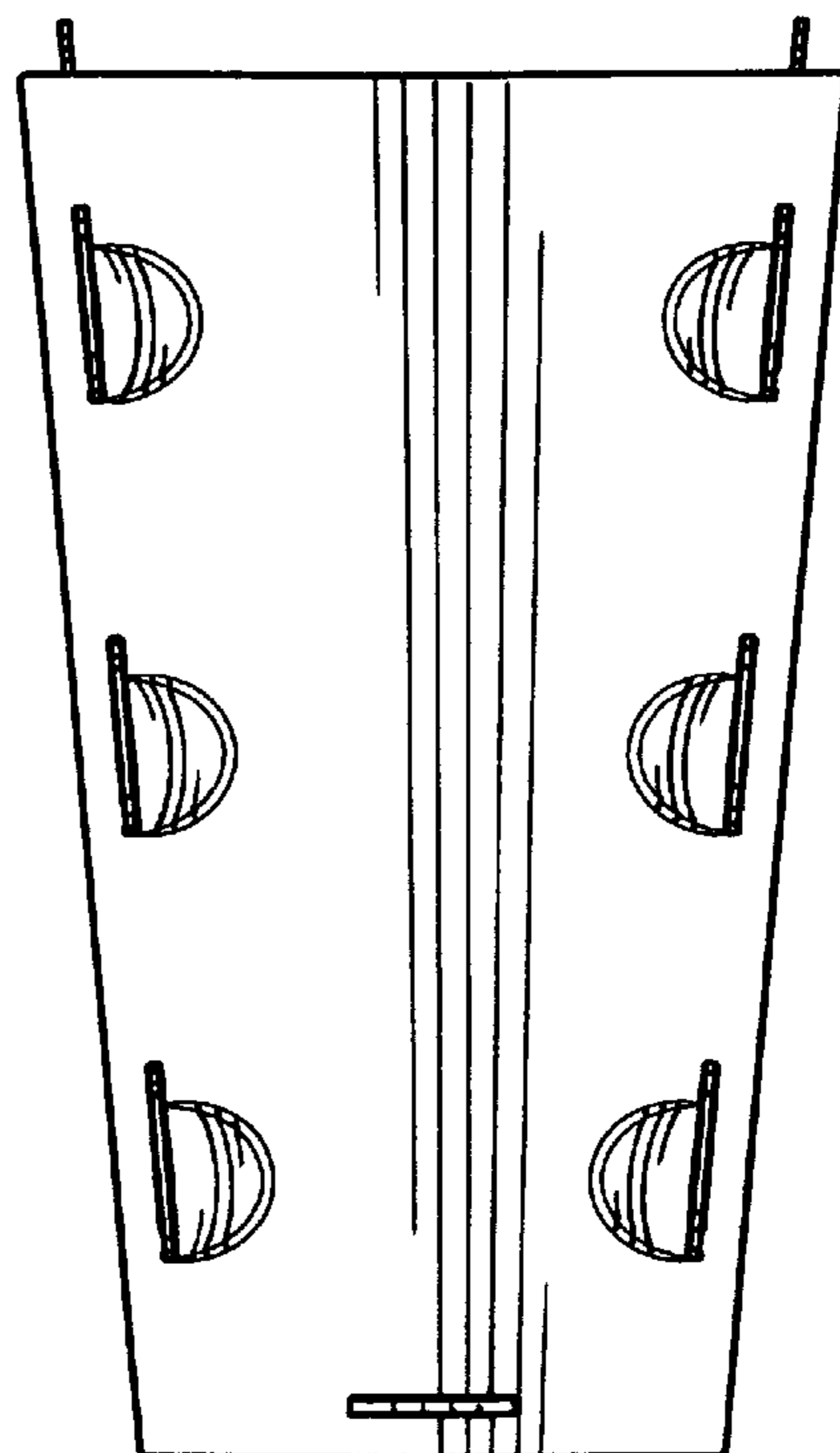


Fig-2

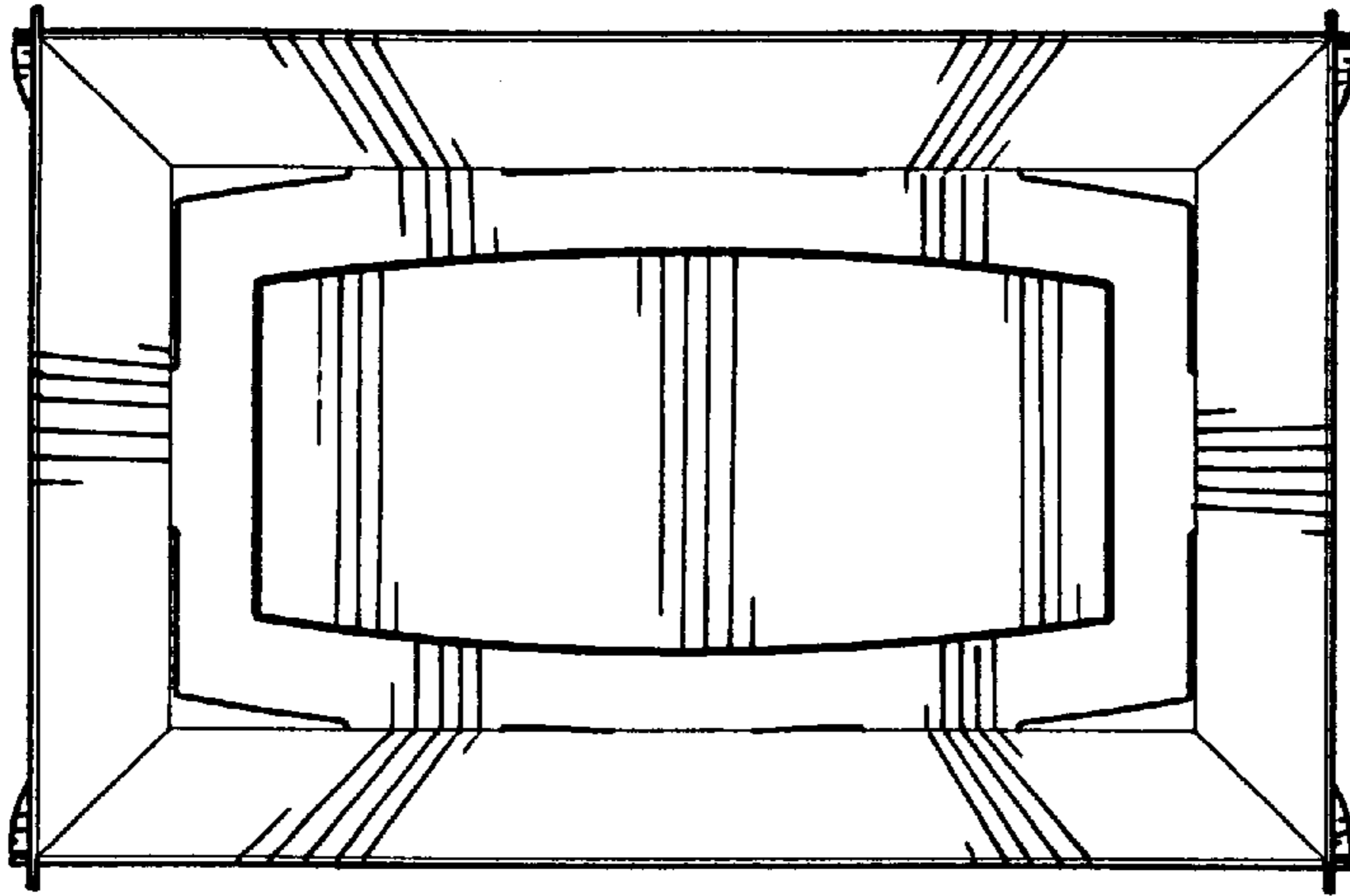


Fig-3

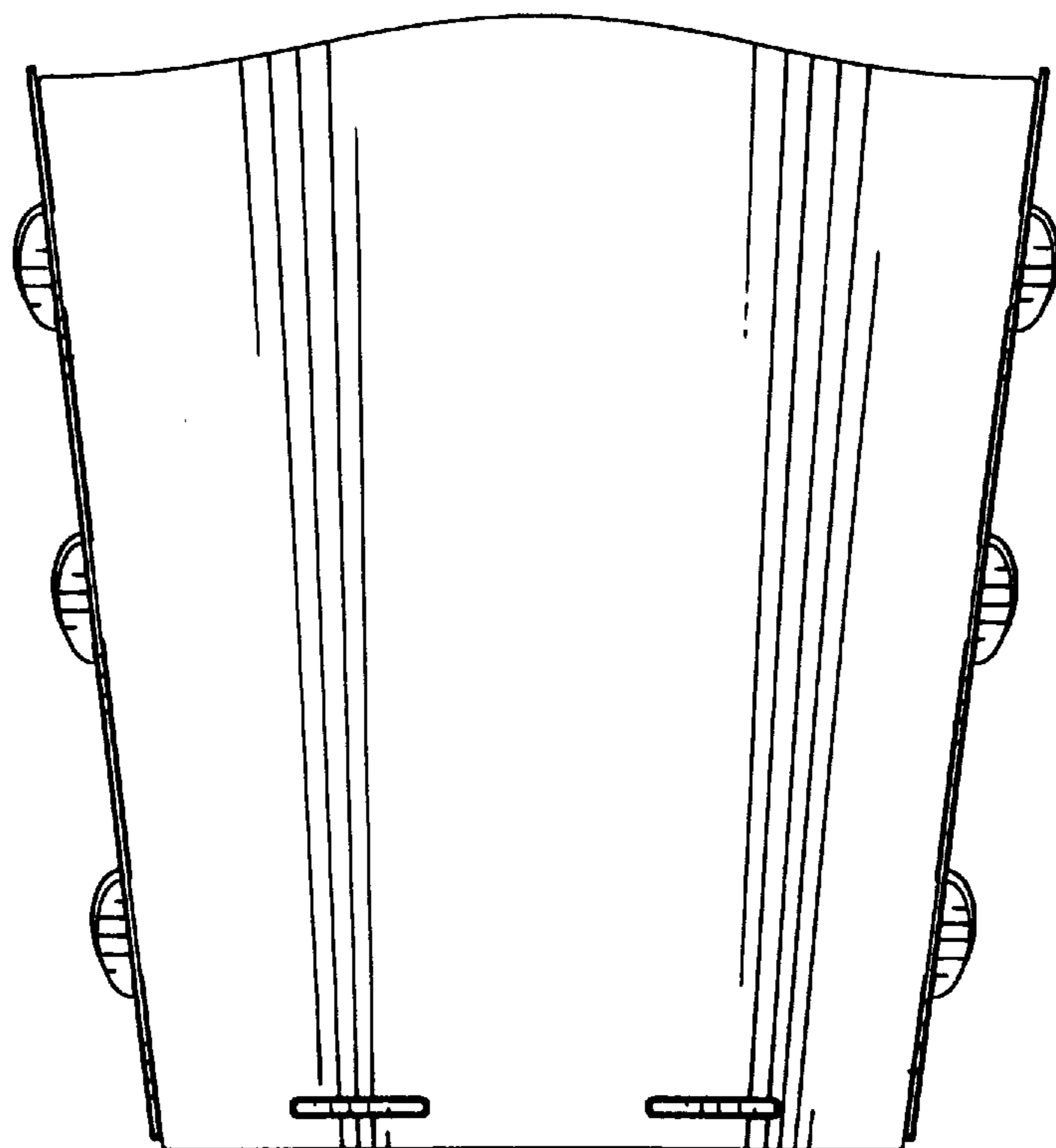


Fig-4