



US00D398115S

United States Patent [19]

[11] **Patent Number:** **Des. 398,115**

Footer et al.

[45] **Date of Patent:** ****Sep. 8, 1998**

[54] **DUST PAN**

[75] Inventors: **Harold Footer**, Newton; **Robert Cann**, Amherst, both of Mass.

[73] Assignee: **Easy Day Manufacturing Company**, Holliston, Mass.

[**] Term: **14 Years**

[21] Appl. No.: **75,479**

[22] Filed: **Jun. 19, 1997**

Related U.S. Application Data

[63] Continuation of Ser. No. 50,747, Feb. 26, 1996, abandoned.

[51] **LOC (6) Cl.** **09-05**

[52] **U.S. Cl.** **D32/74**

[58] **Field of Search** D32/74; 15/257.1, 15/257.2, 257.6, 257.7, 257.8, 257.9

[56] References Cited

U.S. PATENT DOCUMENTS

D. 180,303	5/1957	Timmons	D32/74
D. 182,087	2/1958	Sofro	D32/74
226,877	4/1880	Pierce	.	
279,676	6/1883	Valentine	.	
D. 304,107	10/1989	Noggle	D32/74
335,545	2/1886	Squier	.	
340,146	4/1886	Murphy	.	
396,668	1/1889	Spicer	.	
422,240	2/1890	Marshall	.	
450,670	4/1891	Harlan	.	
510,762	12/1893	Barber	.	
561,917	6/1896	Rothrock	.	
594,756	11/1897	Ralph	.	
603,003	4/1898	Black	.	

607,309	7/1898	Weir	.	
621,683	3/1899	Knight	.	
626,843	6/1899	Richardson	.	
735,565	8/1903	McCarthy	.	
861,195	7/1907	Shank	.	
1,225,540	5/1917	Wells	15/257.5
2,171,187	8/1939	Millner	65/63
2,553,727	5/1951	Schlutz	15/257.2
3,121,248	2/1964	Ferguson	15/257.9
3,156,941	11/1964	Tomaiuolo	15/257.1
5,407,089	4/1995	Bird et al.	220/212.5
5,457,844	10/1995	Hanna et al.	15/257.3

FOREIGN PATENT DOCUMENTS

2 594 676 A1	8/1987	France	15/257.1
24 10 806 A1	9/1975	Germany	15/257.8

OTHER PUBLICATIONS

U.S. application Ser. No. 08/636,284.

Primary Examiner—Susan J. Lucas
Assistant Examiner—Cynthia E. Ramirez
Attorney, Agent, or Firm—Wolf, Greenfield & Sacks, P.C.

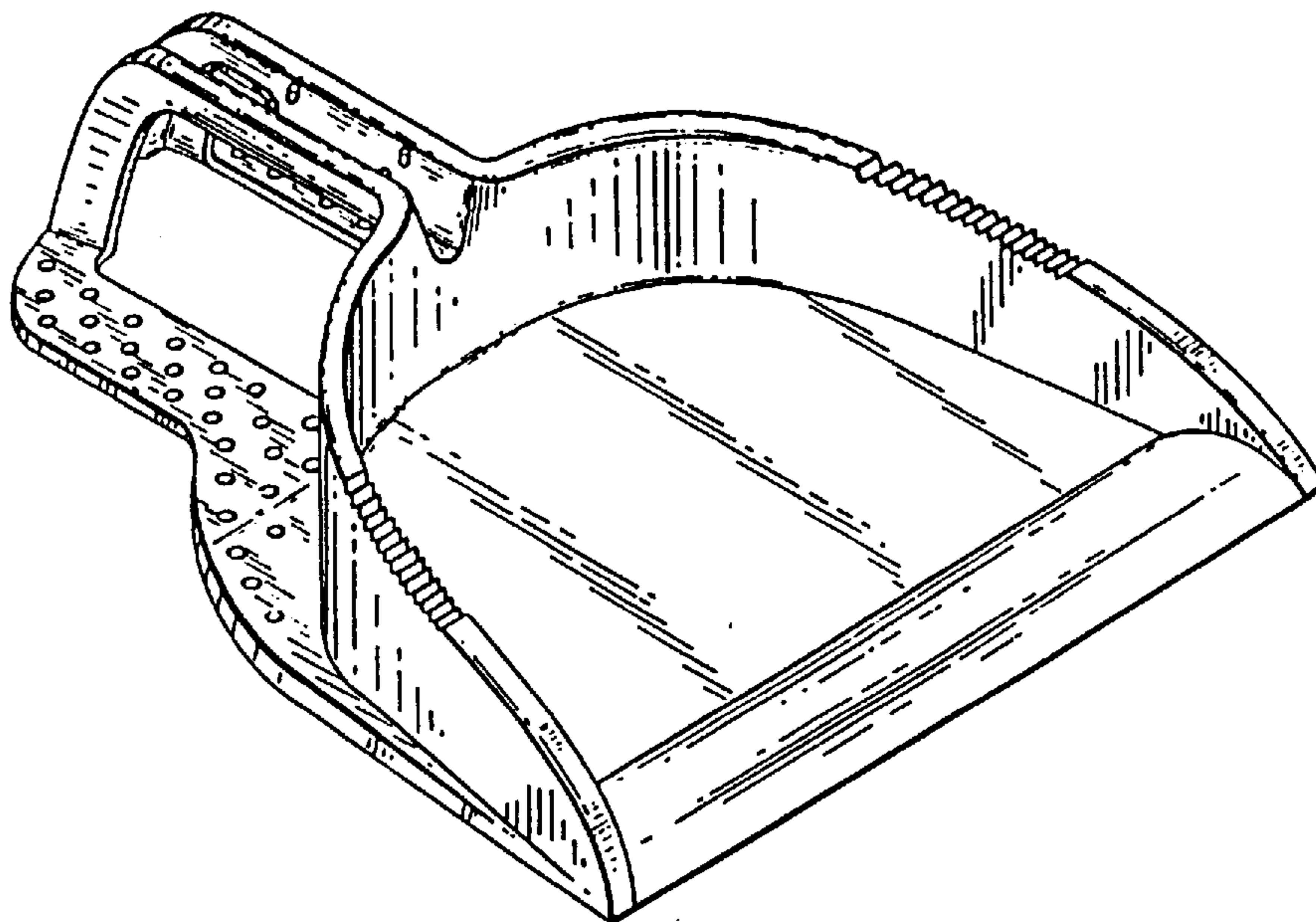
[57] CLAIM

The ornamental design for a dust pan, as shown and described.

DESCRIPTION

FIG. 1 is a perspective view of the invention;
FIG. 2 is a rear elevation thereof;
FIG. 3 is a top plan thereof;
FIG. 4 is a left side elevation view with the opposite side being a mirror image thereof;
FIG. 5 is a front elevation thereof; and,
FIG. 6 is a bottom plan thereof.

1 Claim, 2 Drawing Sheets



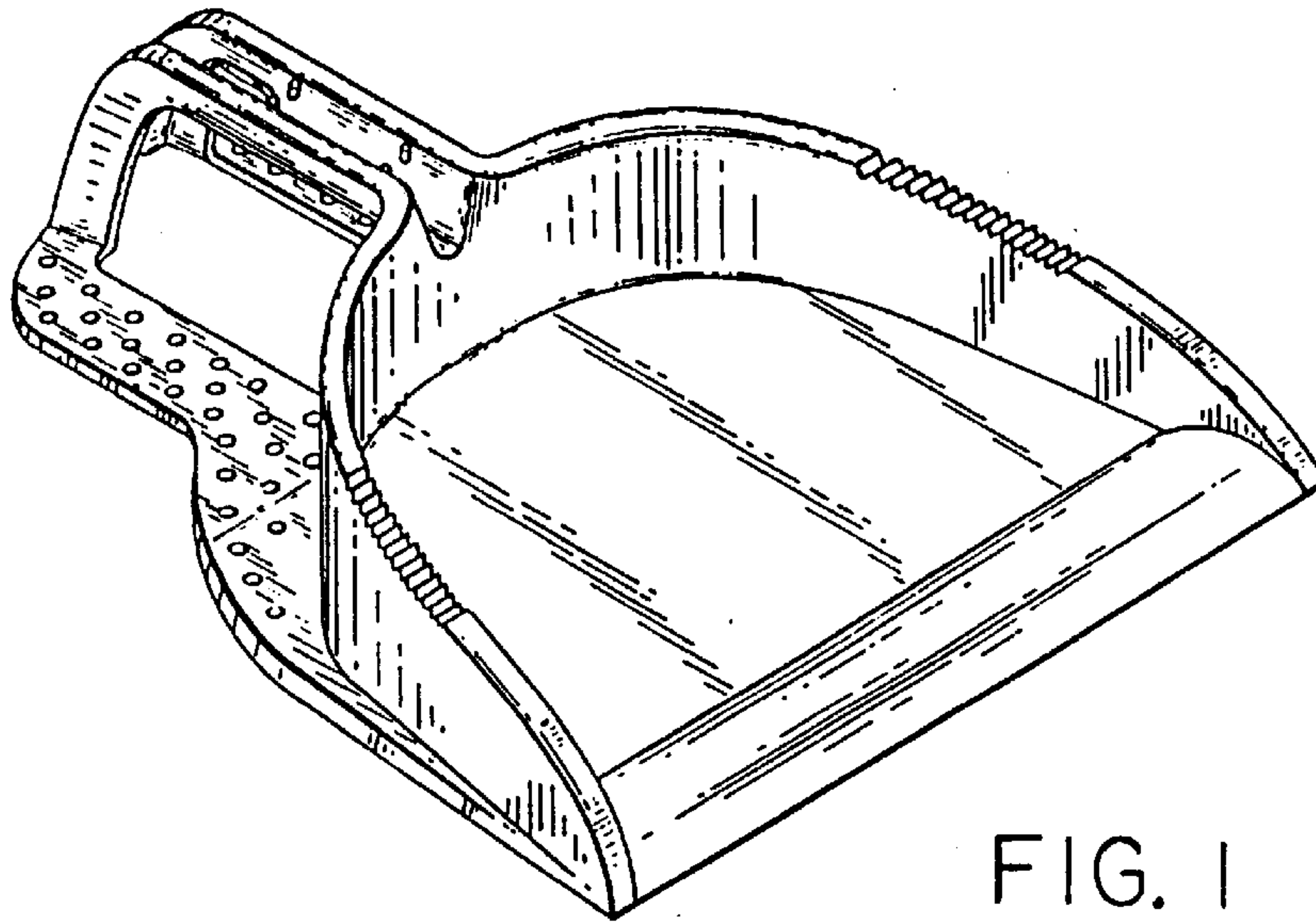


FIG. 1

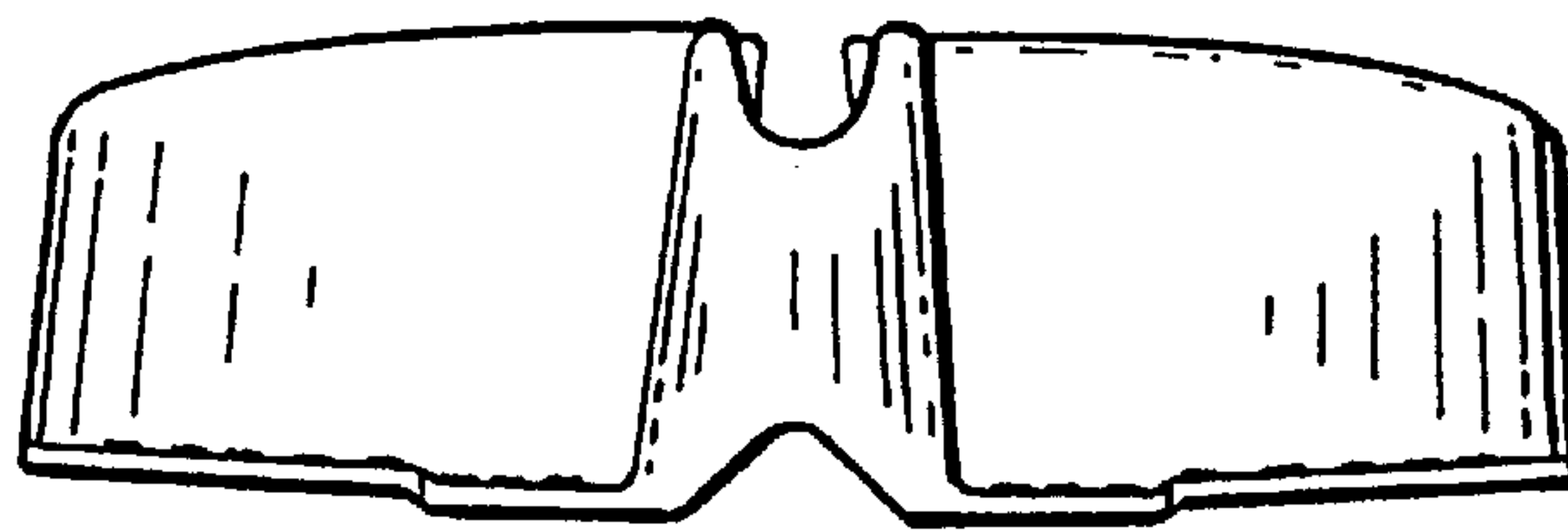


FIG. 2

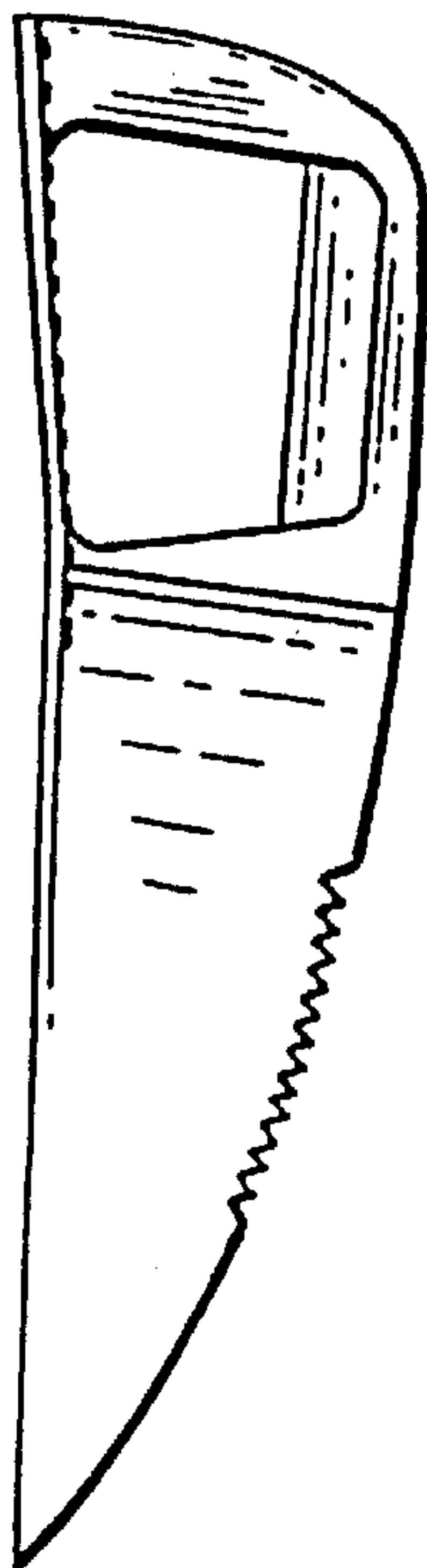


FIG. 4

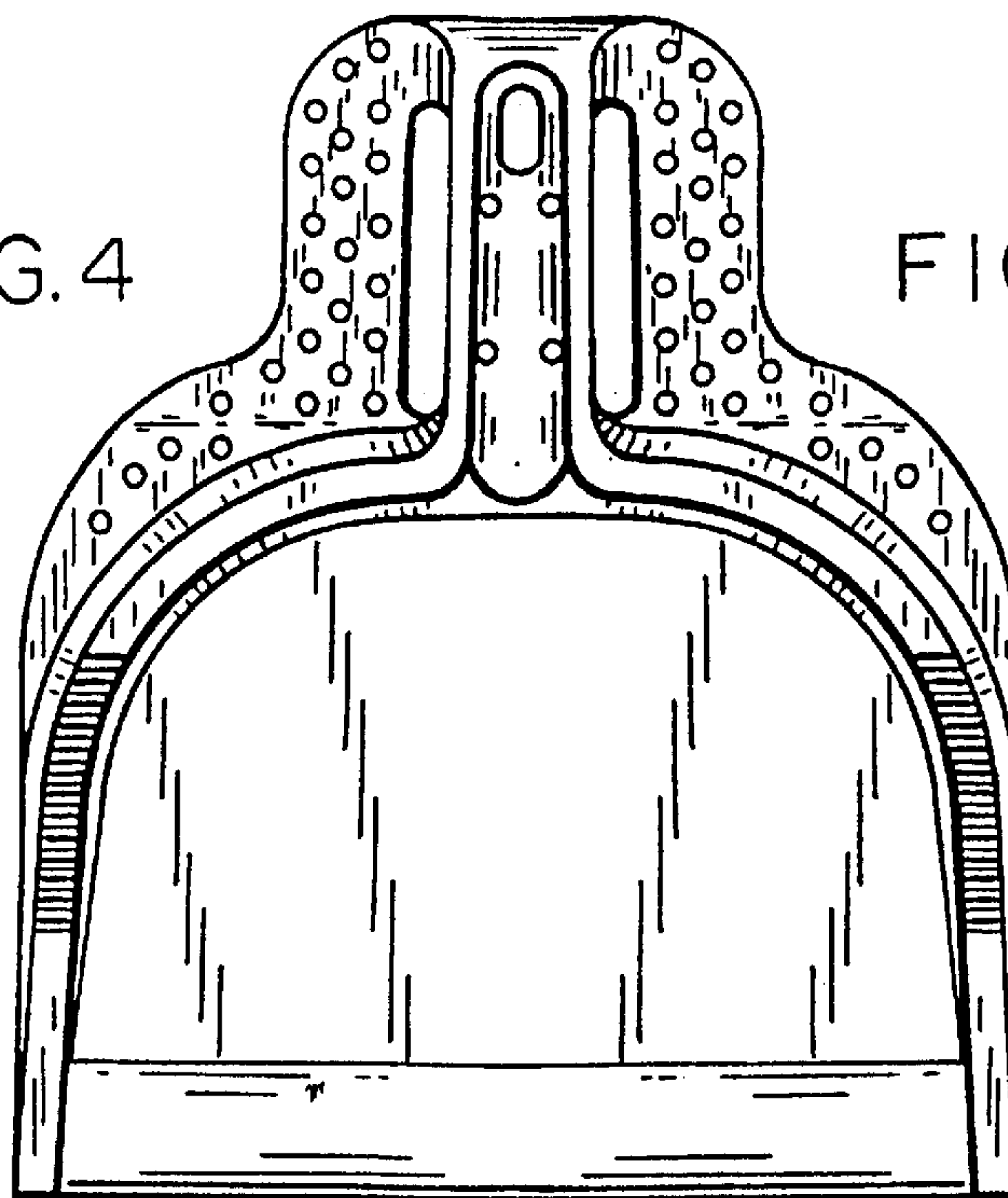


FIG. 3

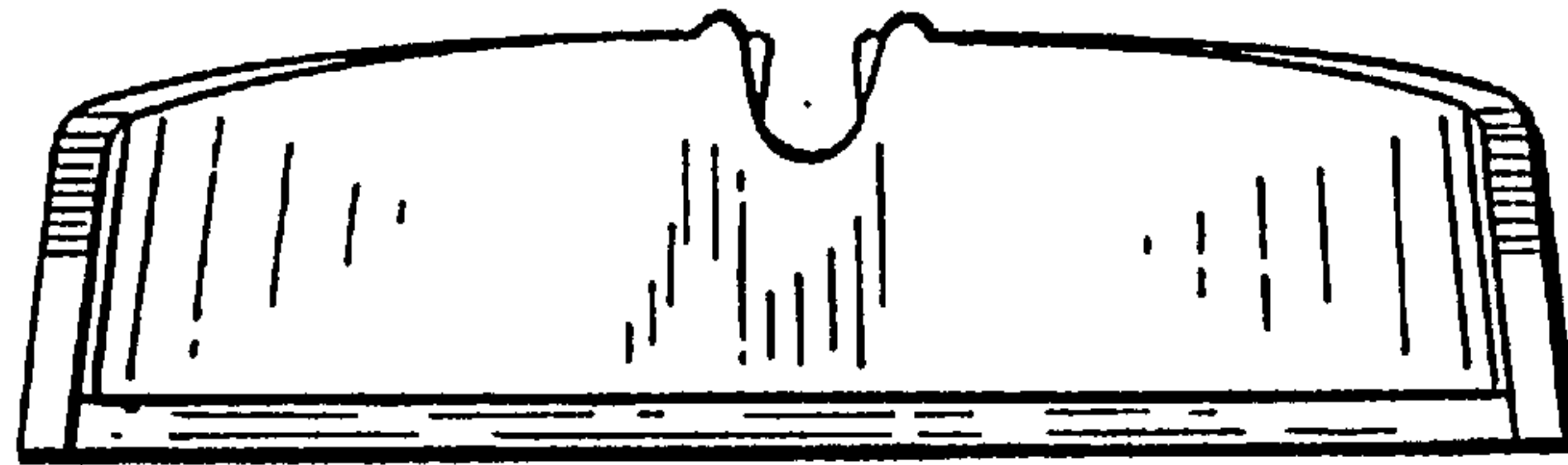


FIG. 5

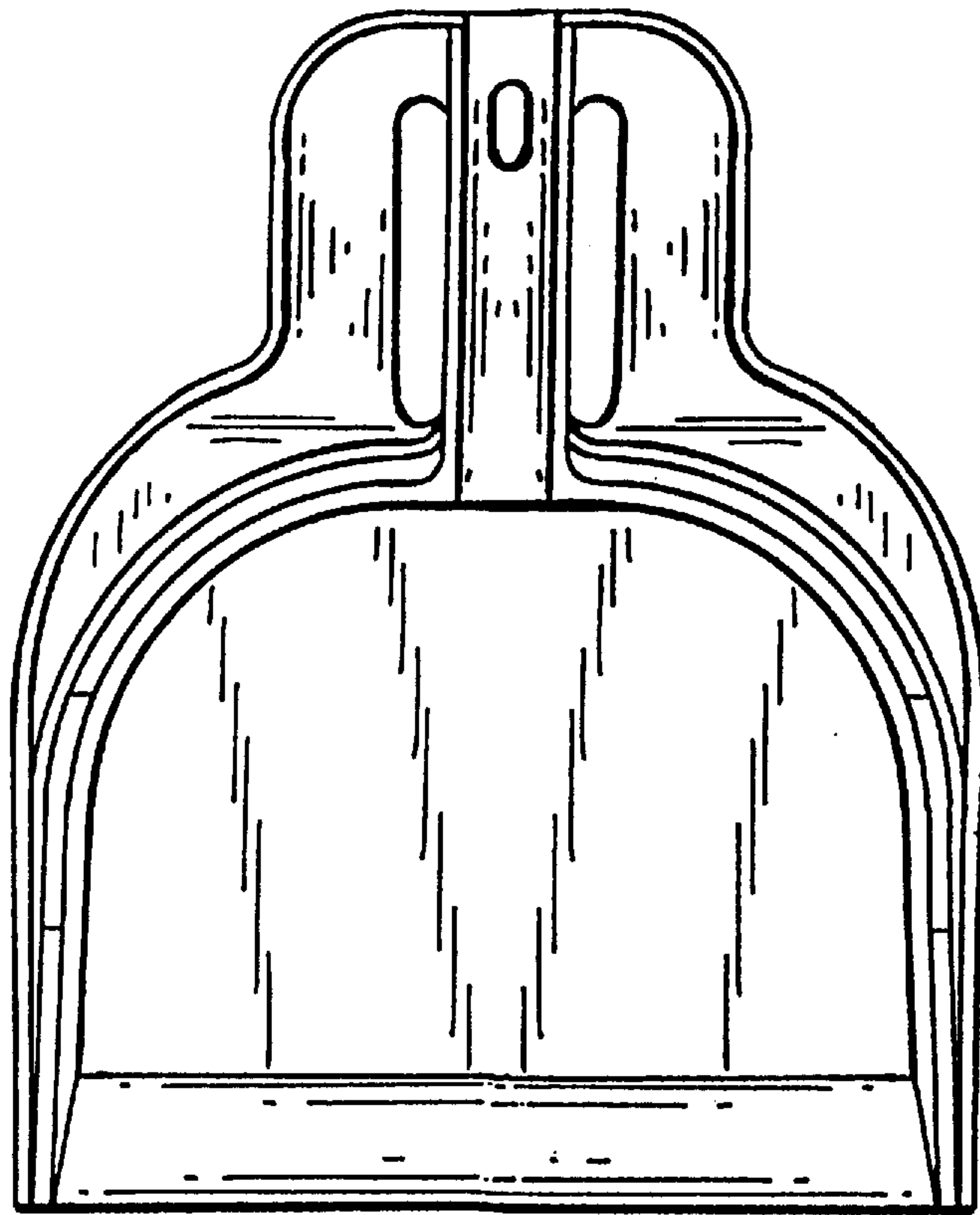


FIG. 6